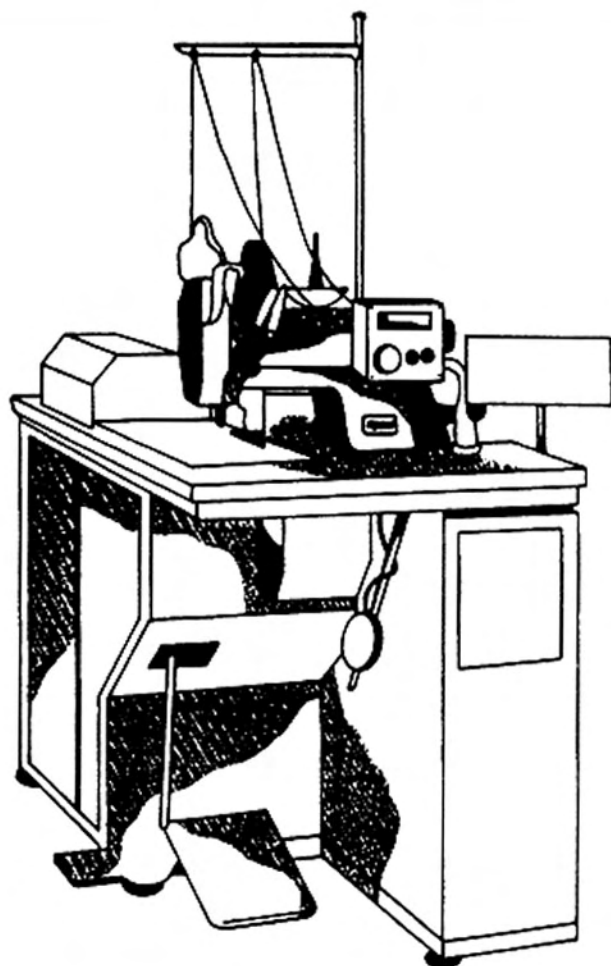




Series 38S

Lockstitch Pocket Welting Machines

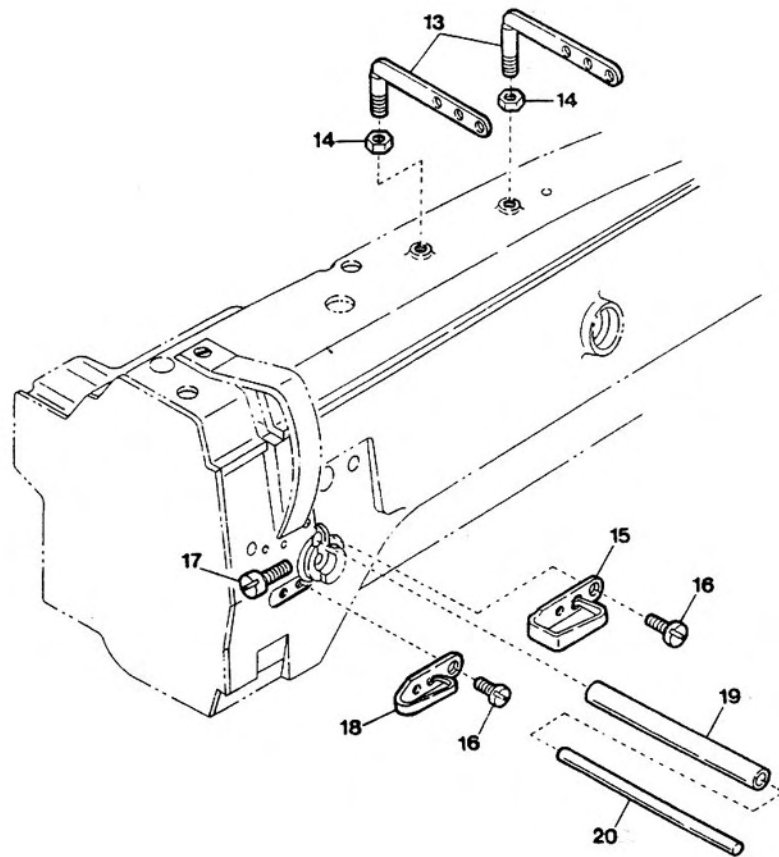
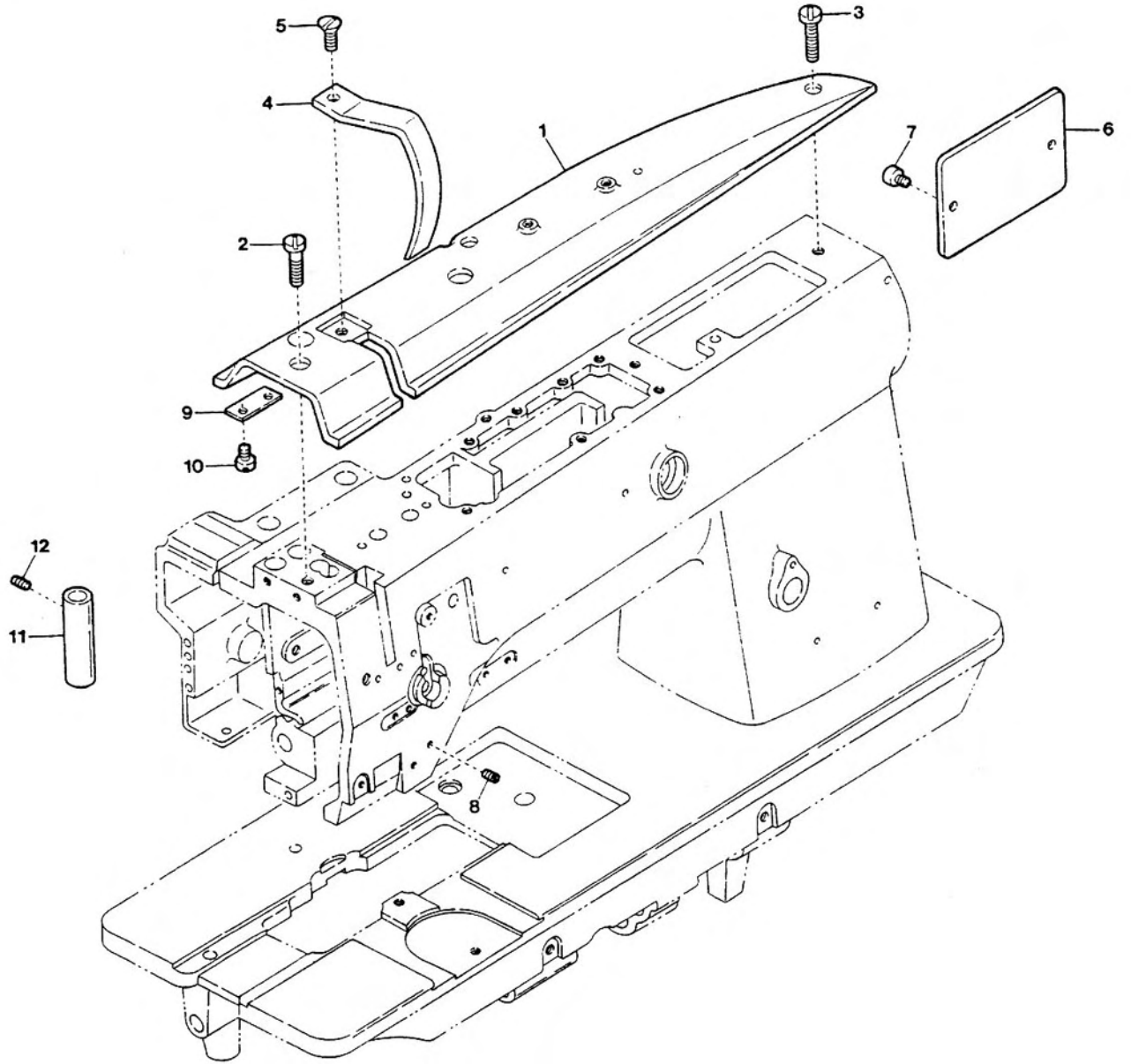


Illustrated Parts Manual

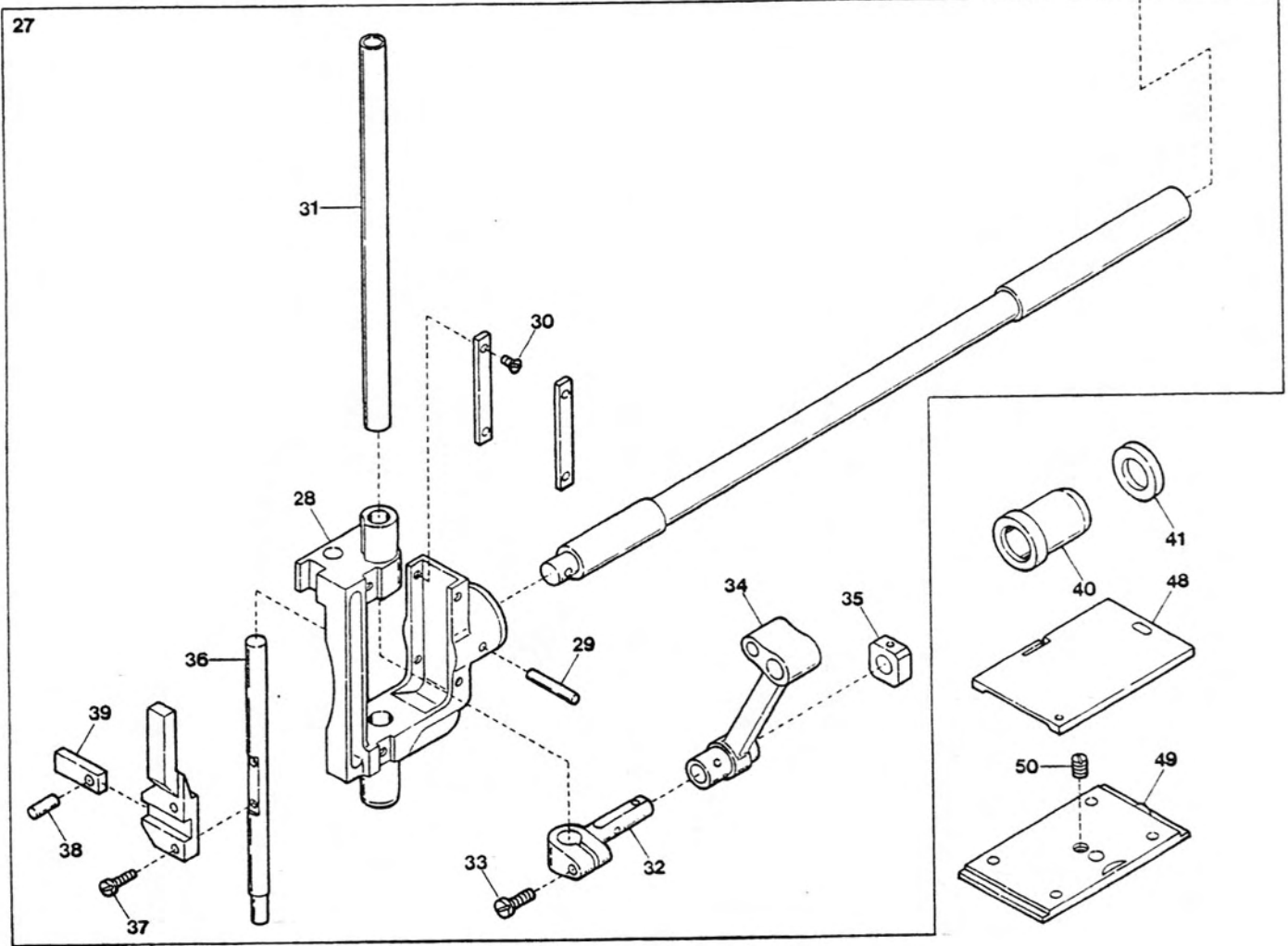
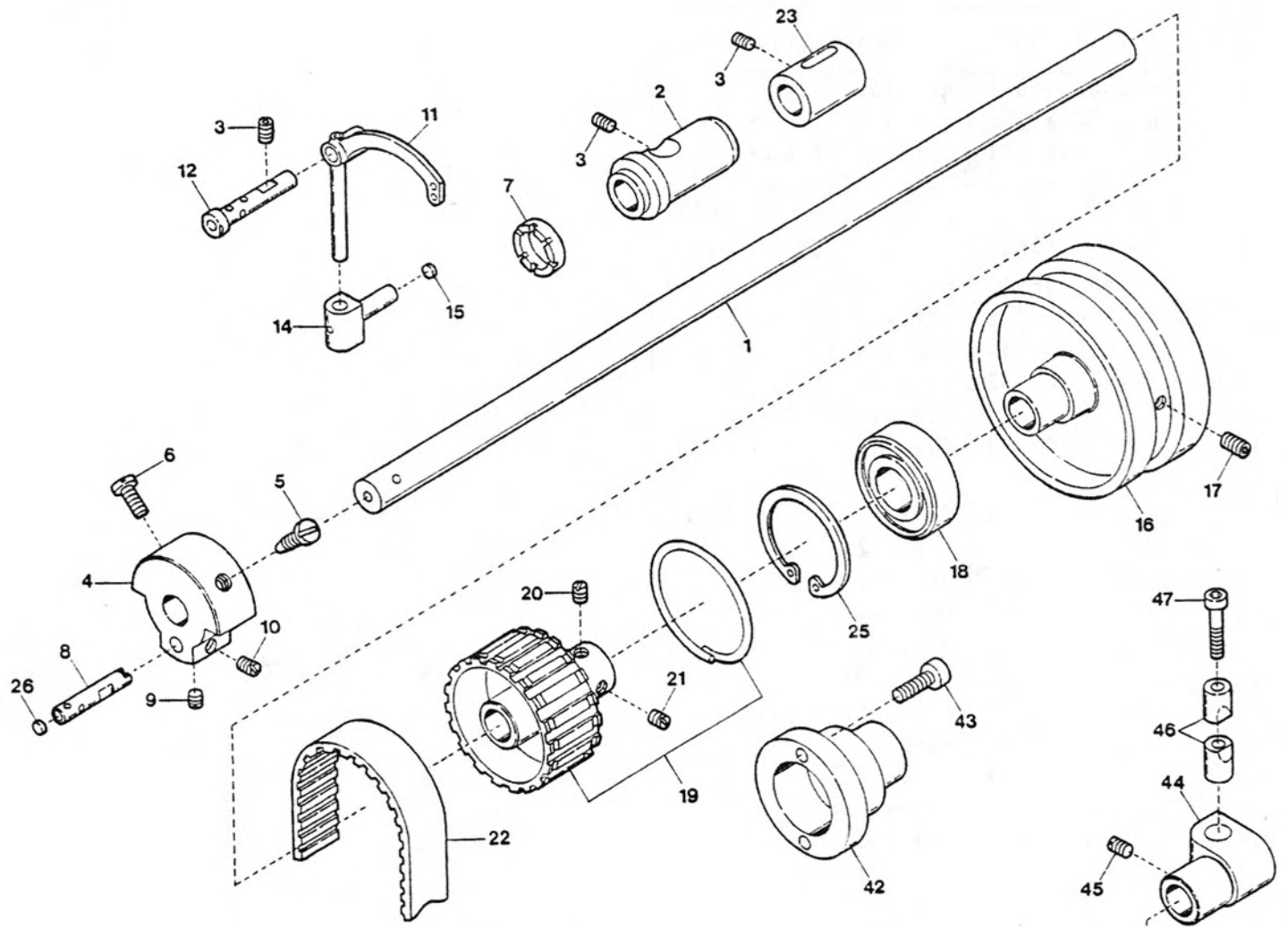
NO. 1

CONTENTS

| | |
|---|----|
| MACHINE BODY and THREADING MECHANISM | 1 |
| UPPER SHAFT and NEEDLE BAR ROCKING MECHANISM | 2 |
| LOWER SHAFT & ROTARY HOOK MECHANISM | 3 |
| KNIFE MECHANISM | 4 |
| LUBRICATION | 5 |
| THREAD STAND | 6 |
| THREADING MECHANISM | 7 |
| BOBBIN THREAD MONITOR | 8 |
| PATCH GUIDE MECHANISM | 9 |
| TENSION RELEASE, LOCATING LIGHT PARTS | 10 |
| HINGE PARTS | 11 |
| FRAME & COVERS | 12 |
| TABLE TOP & ASSOCIATE PARTS | 13 |
| CENTER KNIFE & UPPER, LOWER THREAD TRIMMING PARTS | 14 |
| TAB KNIFE SUPPORT PARTS | 15 |
| TAB KNIFE DRIVE PARTS | 16 |
| CARRIAGE ASSEMBLY | 17 |
| CLAMPING & FOLDING PARTS | 18 |
| CARRIAGE DRIVE COMPONENTS | 19 |
| FOOT TREADLE ASSOCIATE PARTS | 20 |
| CONTROL PANEL | 21 |
| MAIN POWER SUPPLY & DRIVE MOTOR | 22 |
| PNEUMATIC PARTS | 23 |
| TOOLS, SPARE PARTS | 24 |
| NEEDLE THREAD MONITOR(EXTRA PARTS) | 25 |
| TROUSER PANEL STACKER | 26 |
| WORK REMOVER | 27 |
| TROUSER AIR EJECTOR | 28 |
| LARGE BOBBIN ASSOCIATE PARTS(EXTRA PARTS) | 29 |
| LIST of MAIN SPARE PARTS | 30 |

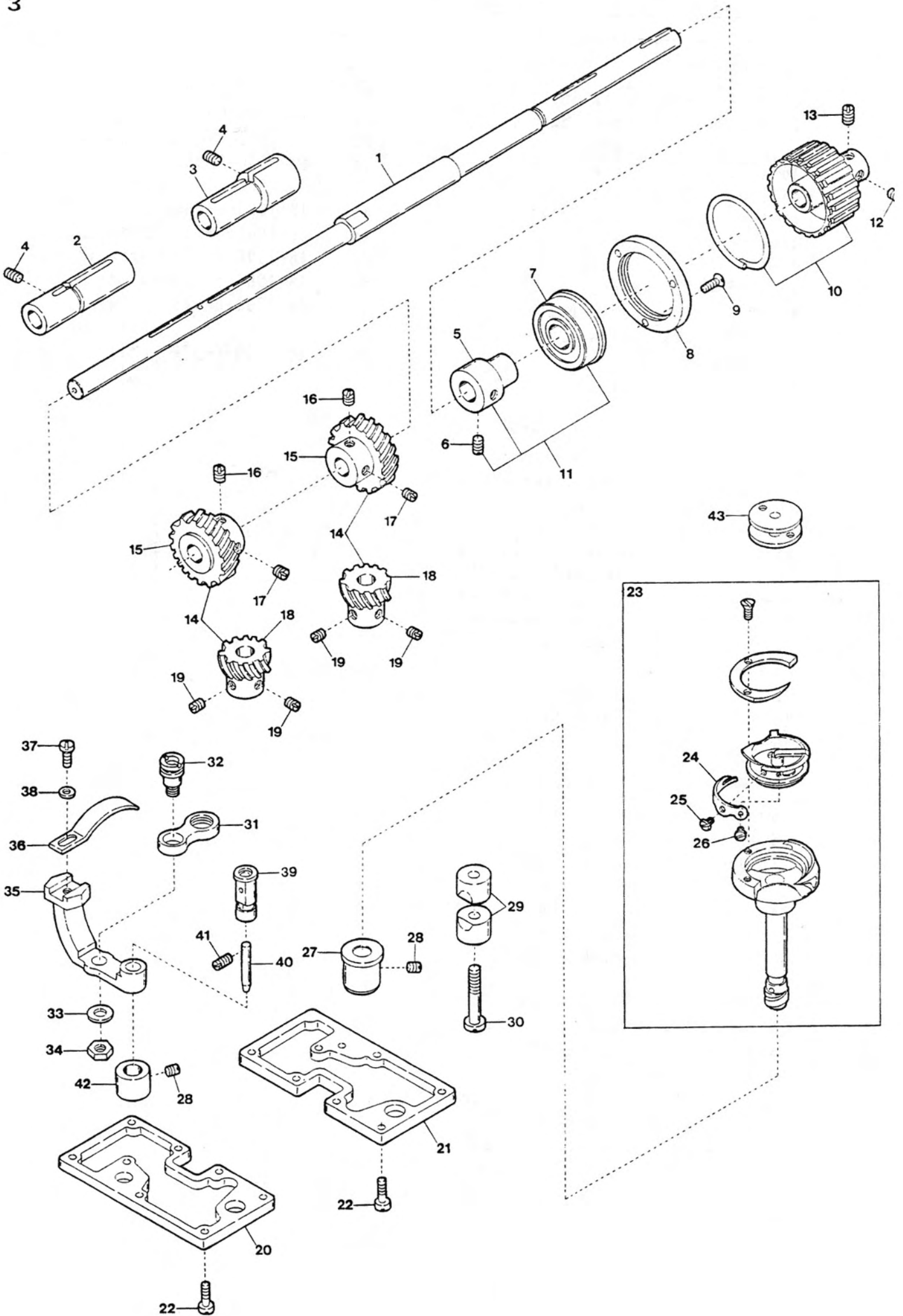


| Det. No | Parts. No | Description |
|---------|---------------|--------------------------------|
| 1 | 48-1900-0-030 | Arm Top Cover |
| 2 | 46-1000-8-200 | Screw(4.37-40×16) |
| 3 | 46-1000-8-201 | Screw(4.37-40×16) |
| 4 | 46-1001-5-000 | Thread Take-up Cover |
| 5 | 48-1092-0-000 | Screw(4.76) |
| 6 | 48-1900-0-032 | Rear Cover |
| 7 | 46-1000-8-202 | Screw(3.57-40×6) |
| 8 | 46-1000-8-245 | Screw(4.37) |
| 9 | 48-1900-0-033 | Supplementary Arm Top Cover |
| 10 | 48-1092-0-001 | Screw(3.18-40×4) |
| 11 | 46-1001-5-054 | Presser Bar Bushing (Upper) |
| 12 | 46-1000-8-289 | Screw(5.95) |
| 13 | 46-1001-5-003 | Top Cover Thread Guide |
| 14 | 46-1000-8-252 | Nut(5.95) |
| 15 | 46-1001-5-020 | Arm Thread Guide (Upper) |
| 16 | 46-1000-8-229 | Screw(3.57) |
| 17 | 46-1000-8-203 | Screw(3.57) |
| 18 | 46-1001-5-021 | Arm Thread Guide (Center) |
| 19 | 46-1001-5-022 | Pipe |
| 20 | 46-1001-5-023 | Tension Release Bar |



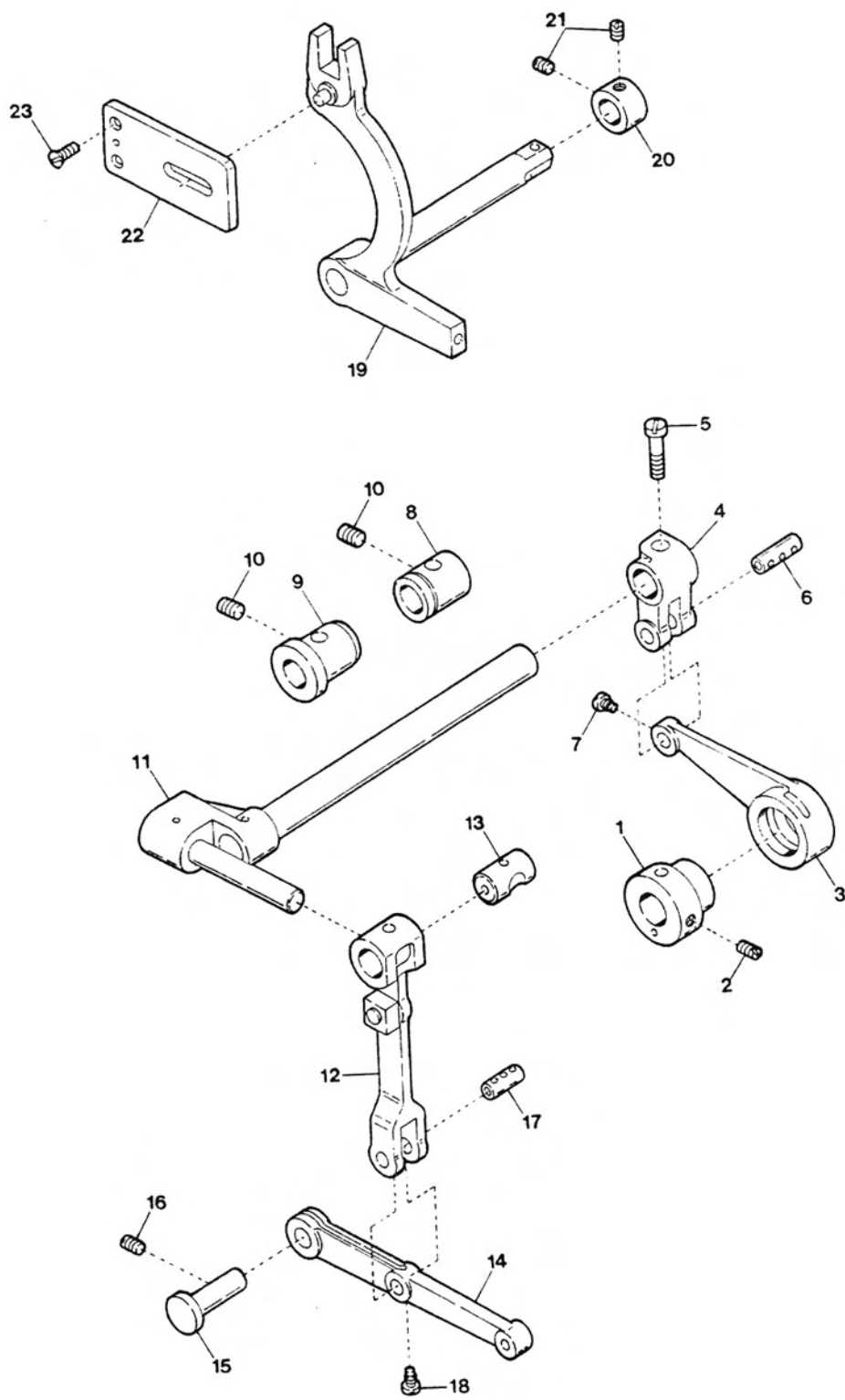
| Det. No | Parts. No | Description |
|---------|---------------|-------------------------------------|
| 1 | 48-1900-0-034 | Upper Shaft |
| 2 | 48-1900-0-035 | Upper Shaft Bushing (Left) |
| 3 | 46-1000-8-233 | Screw(5.95) |
| 4 | 46-1001-5-033 | Counter Weight |
| 5 | 46-1000-8-205 | Screw(7.14) |
| 6 | 46-1000-8-206 | Screw(7.14) |
| 7 | 46-1001-5-034 | Thrust Ring |
| 8 | 48-1900-0-036 | Needle Bar Crank |
| 9 | 48-1092-0-002 | Screw(6.35) |
| 10 | 46-1000-8-235 | Screw(6.35) |
| 11 | 46-1001-5-028 | Thread Take-up |
| 12 | 46-1001-5-027 | Stud |
| 13 | | |
| 14 | 46-1001-5-029 | Thread Take-up Lever Slide Block |
| 15 | 46-1001-5-030 | Pusher |
| 16 | 48-1900-0-039 | Pulley |
| 17 | 48-1092-0-003 | Screw(5.95-28×14) |
| 18 | 46-1001-5-041 | Bearing(6204 VV) |
| 19 | 46-1001-5-039 | Timing Belt Wheel (Upper) Assembly |
| 20 | 46-1000-8-236 | Screw(6.35×12) |
| 21 | 46-1000-8-237 | Screw(6.35×12) |
| 22 | 46-1001-5-038 | Timing Belt |
| 23 | 46-1001-5-037 | Upper Shaft Bushing (Center) |
| 24 | | |
| 25 | 46-1001-5-040 | Stop Ring(C) |
| 26 | 48-1900-0-040 | Pusher |
| 27 | 48-1900-0-041 | Needle Bar Crank Rod Assembly |
| 28 | 48-1900-0-042 | Needle Bar Support |
| 29 | 46-1001-5-109 | Taper Pin |
| 30 | 46-1000-8-230 | Screw(2.38) |
| 31 | 48-1900-0-043 | Needle Bar |
| 32 | 48-1900-0-044 | Needle Bar Clamp |
| 33 | 48-1092-0-004 | Screw(3.57) |
| 34 | 46-1001-5-046 | Needle Bar Crank Rod |
| 35 | 46-1001-5-047 | Needle Bar Guide Slide Block |
| 36 | 48-1900-0-045 | Center Knife Bar |
| 37 | 46-1000-8-207 | Screw(3.57-40×8) |
| 38 | 48-1900-0-046 | Block Shaft |
| 39 | 48-1900-0-047 | Center Knife Bar Block |
| 40 | 48-1900-0-048 | Needle Bar Rock Shaft Bushing(Left) |

| Det. No | Parts. No | Description |
|---------|---------------|----------------------------|
| 41 | 48-1900-0-051 | Spacer |
| 42 | 48-1900-0-052 | Coupling Joint |
| 43 | 48-1092-0-006 | Screw(4.76-32×14) |
| 44 | 48-1900-0-050 | Needle Bar Rock Shaft Stop |
| 45 | 48-1092-0-005 | Screw(6.35) |
| 46 | 46-1001-5-184 | Pinch Sleeve |
| 47 | 46-1000-9-753 | Screw(M6×30) |
| 48 | 46-1001-5-025 | Slide Plate(Right) |
| 49 | 48-1900-0-049 | Slide Plate Front Assembly |
| 50 | 46-1000-8-238 | Screw(5.16) |

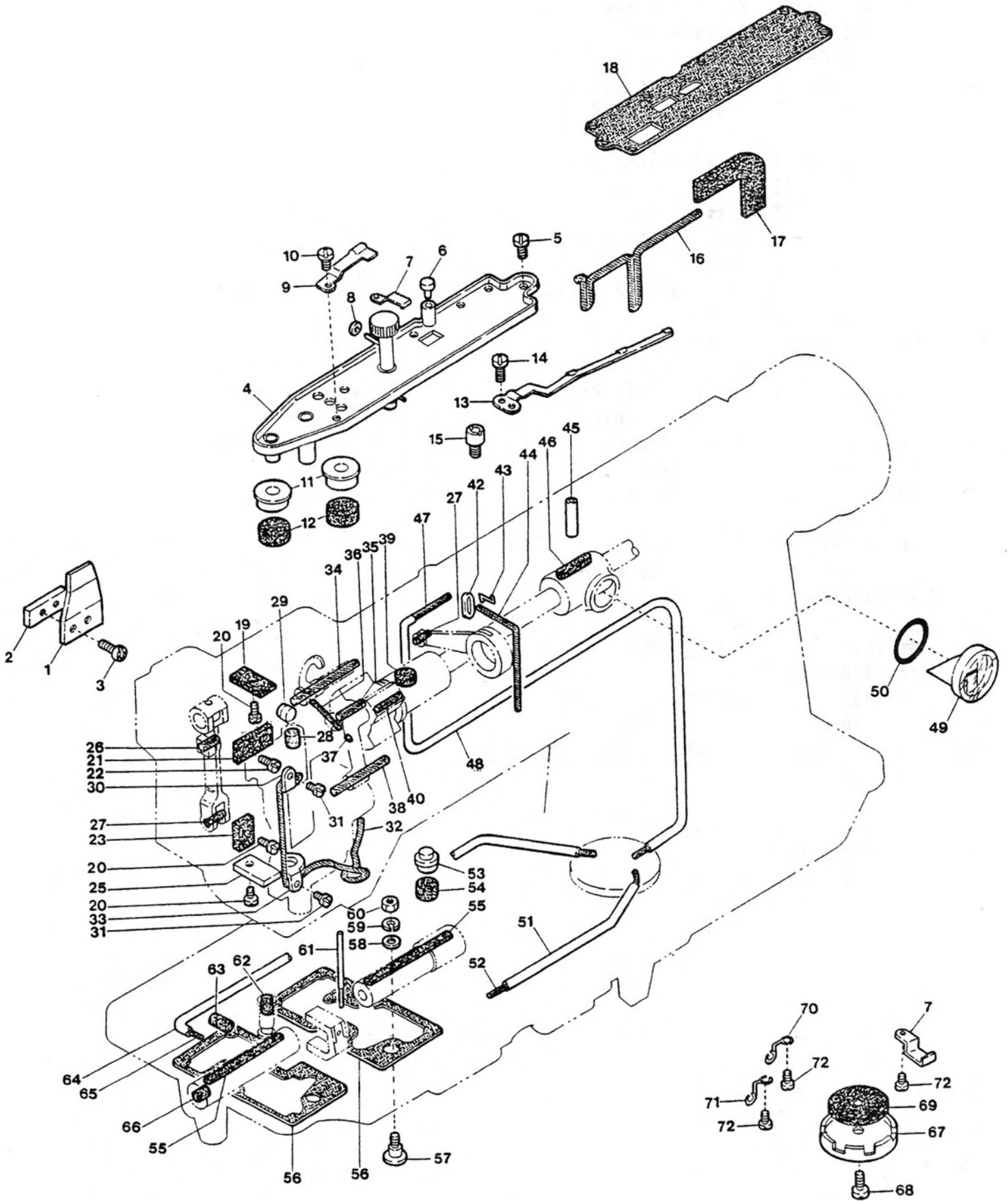


| Det. No | Parts. No | Description |
|---------|---------------|------------------------------------|
| 1 | 46-1001-5-059 | Lower Shaft |
| 2 | 46-1001-5-060 | Rotary Hook Base Bushing(Left) |
| 3 | 46-1001-5-061 | Rotary Hook Base Bushing(Right) |
| 4 | 46-1000-8-239 | Screw(5.95) |
| 5 | 46-1001-5-062 | Bearing Holder |
| 6 | 46-1000-8-242 | Screw(6.35×7) |
| 7 | 46-1001-5-063 | Bushing |
| 8 | 46-1001-5-065 | Presser |
| 9 | 48-1092-0-007 | Screw(3.57×12) |
| 10 | 46-1001-5-066 | Timing Belt Wheel (Lower) Assembly |
| 11 | 46-1001-5-064 | Bearing Holder Assembly |
| 12 | 46-1000-8-237 | Screw(6.35×12) |
| 13 | 46-1000-8-236 | Screw(6.35×12) |
| 14 | 48-1900-0-053 | Spiral Gear Assembly |
| 15 | 48-1900-0-054 | Spiral Gear |
| 16 | 46-1000-8-243 | Screw(6.35) |
| 17 | 46-1000-8-235 | Screw(6.35) |
| 18 | 48-1900-0-055 | Pinion |
| 19 | 46-1000-8-234 | Screw(6.35) |
| 20 | 46-1001-5-084 | Oil Reservoir(Left) |
| 21 | 46-1001-5-088 | Oil Reservoir(Right) |
| 22 | 46-1000-8-208 | Screw(4.76) |
| 23 | 48-1125-5-705 | Outer Rotary Hook Assembly |
| 24 | 46-1001-5-078 | Tension Adjusting Spring |
| 25 | 46-1000-8-209 | Tension Adjusting Screw |
| 26 | 46-1000-8-210 | Screw |
| 27 | 46-1001-5-075 | Rotary Hook Shaft Bushing(Upper) |
| 28 | 46-1000-8-240 | Screw(4.76) |
| 29 | 46-1001-5-076 | Pinch Sleeve |
| 30 | 48-1092-0-008 | Screw(5.95) |
| 31 | 46-1001-5-070 | Opener Link |
| 32 | 46-1001-5-071 | Link Stud Opener |
| 33 | 46-1000-8-257 | Washer(4.76) |
| 34 | 48-1093-0-000 | Nut |
| 35 | 46-1001-5-069 | Opener Crank |
| 36 | 46-1001-5-068 | Bobbin Case Opener |
| 37 | 46-1000-8-207 | Screw(3.57-40×8) |
| 38 | 48-1093-0-001 | Washer |
| 39 | 46-1001-5-072 | Opener Crank Stud |
| 40 | 46-1001-5-073 | Pipe |

| Det. No | Parts. No | Description |
|---------|---------------|----------------------------------|
| 41 | 46-1000-8-241 | Screw(4.76) |
| 42 | 46-1001-5-074 | Rotary Hook Shaft Bushing(Lower) |
| 43 | 46-1001-5-081 | Bobbin |

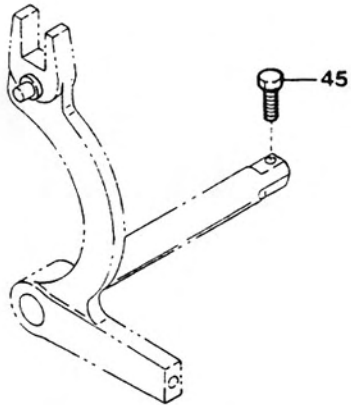
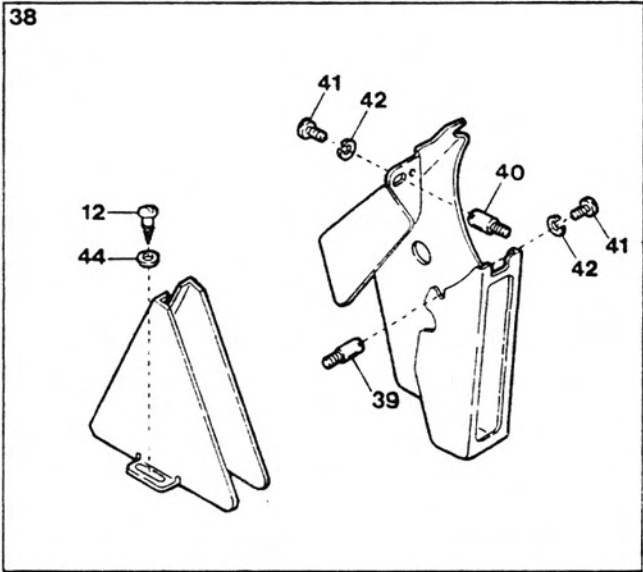
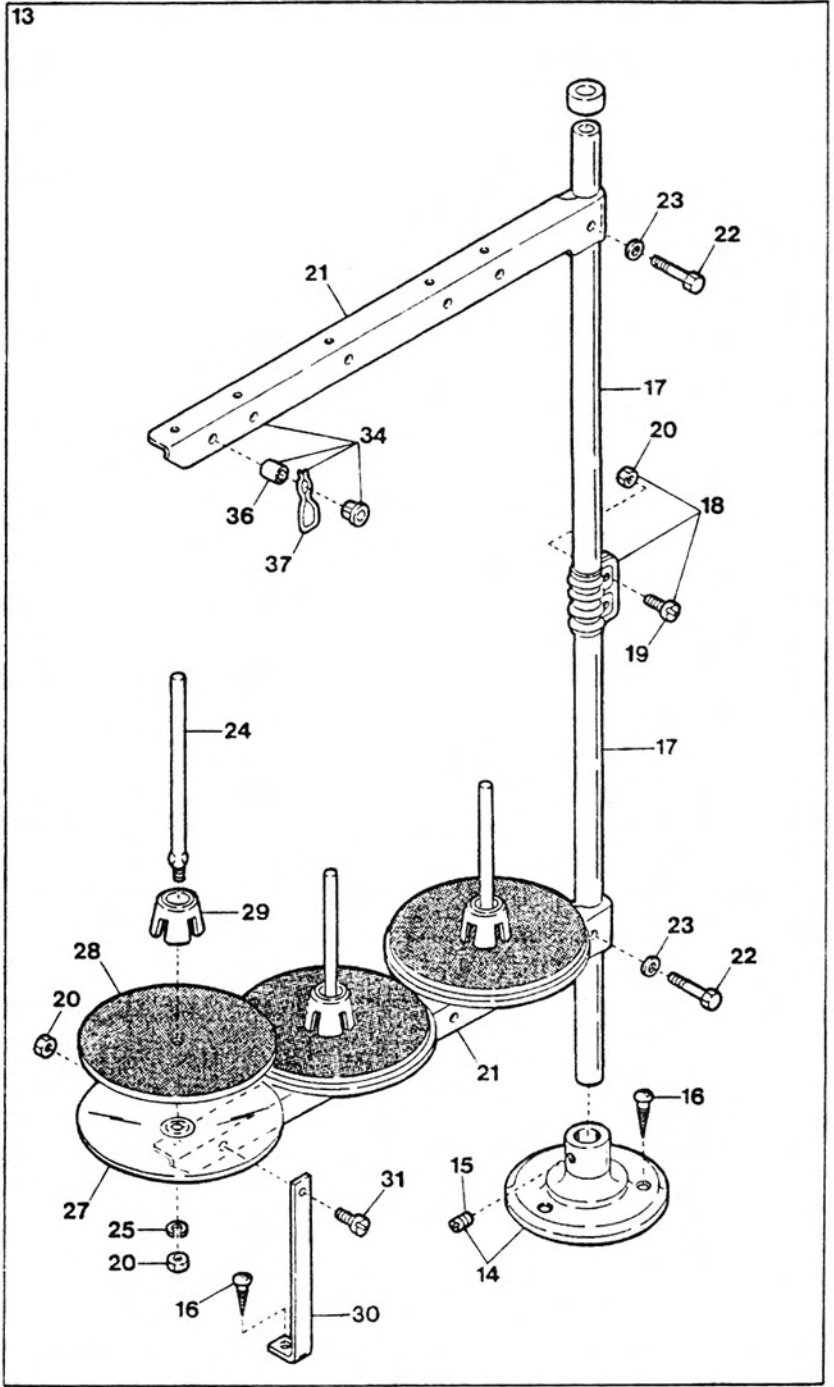
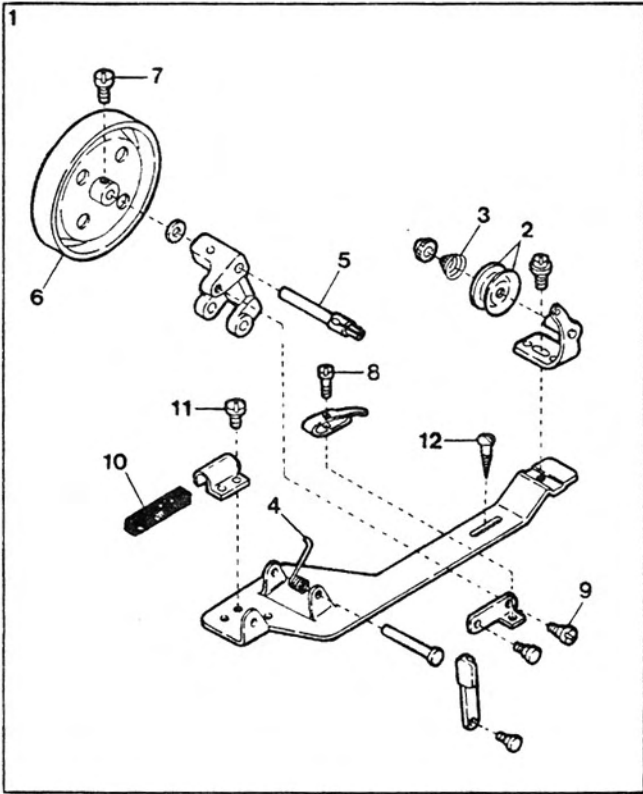


| Det. Na | Parts. Na | Description |
|---------|---------------|-------------------------------------|
| 1 | 48-1900-0-067 | Eccentric Wheel |
| 2 | 48-1092-0-010 | Screw(5.95) |
| 3 | 48-1900-0-069 | Center Knife Connecting Lever |
| 4 | 48-1900-0-070 | Center Knife Rock Arm |
| 5 | 48-1092-0-011 | Screw(5.56-32×16) |
| 6 | 48-1900-0-071 | Stud |
| 7 | 48-1092-0-012 | Screw(3.18) |
| 8 | 48-1900-0-072 | Rock Shaft Bushing (Right) |
| 9 | 48-1900-0-073 | Rock Shaft Bushing (Left) |
| 10 | 48-1092-0-013 | Screw(5.95) |
| 11 | 48-1900-0-074 | Center Knife Rock Shaft Assembly |
| 12 | 48-1900-0-075 | Connecting Rod Assembly |
| 13 | 48-1900-0-076 | Slide Block Driving Stud |
| 14 | 48-1900-0-077 | Center Knife Connecting Lever |
| 15 | 48-1900-0-078 | Connecting Lever Shaft |
| 16 | 48-1092-0-015 | Screw(5.95) |
| 17 | 48-1900-0-079 | Stud |
| 18 | 48-1092-0-016 | Screw(3.18) |
| 19 | 48-1900-0-080 | Change Lever Assembly |
| 20 | 48-1900-0-081 | Set Collar |
| 21 | 48-1092-0-017 | Screw(5.95) |
| 22 | 48-1900-0-082 | Change Lever Stop |
| 23 | 48-1092-0-018 | Screw(4.76) |



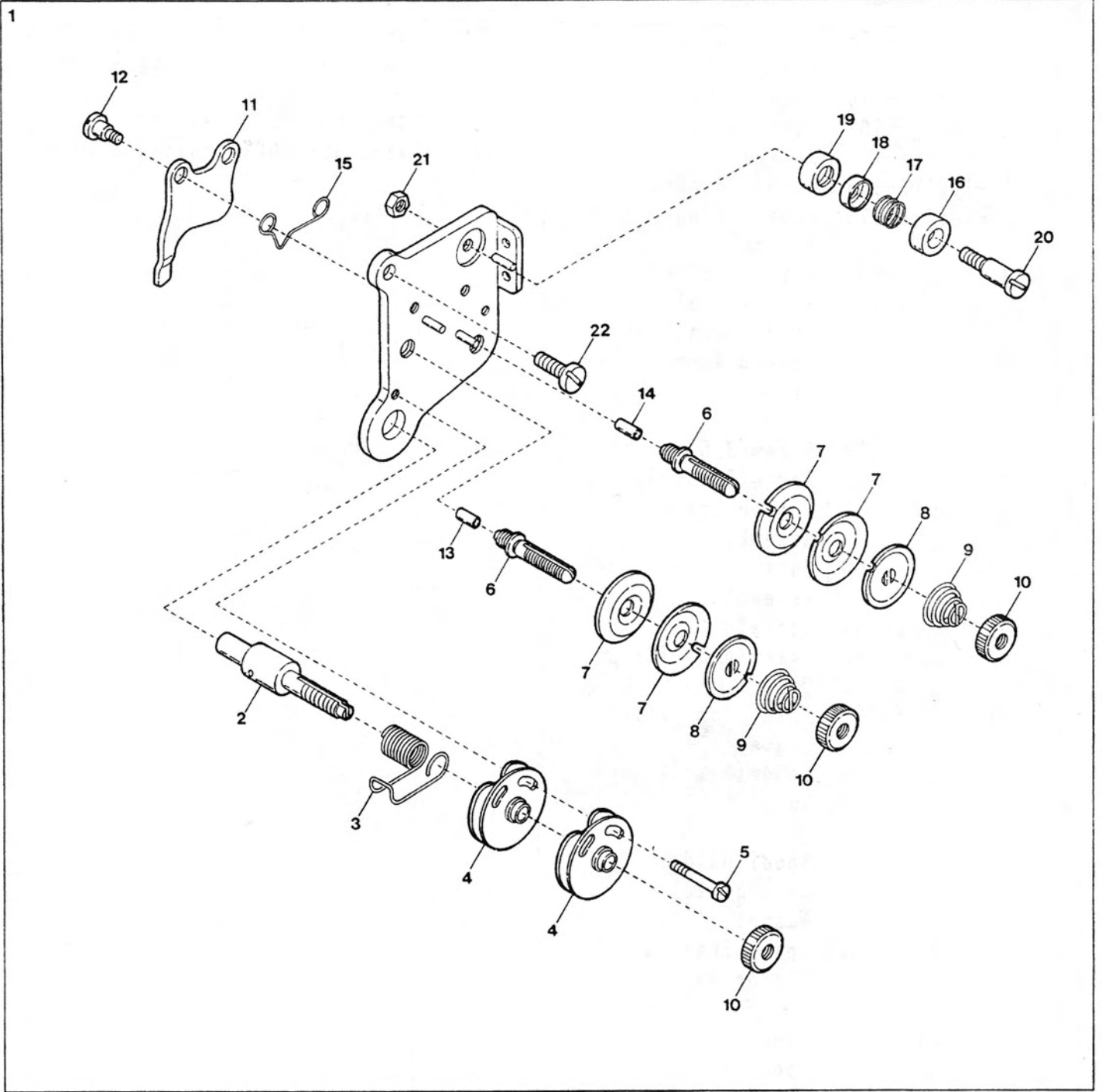
| Det. No | Parts. No | Description |
|---------|---------------|--------------------------------|
| 1 | 48-1900-0-086 | Oil Stop Plate |
| 2 | 46-1001-5-097 | Oil Stop Plate Presser |
| 3 | 46-1000-8-211 | Screw(4.76-32×8) |
| 4 | 46-1001-5-089 | Oil Receiver Plate Assembly |
| 5 | 46-1000-8-202 | Screw(3.57-40×6) |
| 6 | 46-1001-5-092 | Cap for Oil Inlet |
| 7 | 46-1001-5-091 | Felt Presser |
| 8 | 46-1000-8-261 | Washer |
| 9 | 46-1001-5-090 | Spring Plate |
| 10 | 46-1000-8-216 | Screw(3.57-40×4) |
| 11 | 48-1900-0-097 | Oil Cup |
| 12 | 48-1900-0-098 | Felt |
| 13 | 46-1001-5-094 | Wick Holder |
| 14 | 46-1000-8-212 | Screw(3.18) |
| 15 | 46-1000-8-248 | Oil Guide Tube |
| 16 | 46-1000-8-267 | Wick |
| 17 | 46-1000-8-273 | Felt |
| 18 | 46-1001-5-093 | Packing |
| 19 | 48-1900-0-095 | Felt |
| 20 | 48-1092-0-021 | Screw(3.57) |
| 21 | 46-1000-8-277 | Felt |
| 22 | 46-1000-8-215 | Screw(3.57-40×6) |
| 23 | 48-1900-0-096 | Felt |
| 24 | | |
| 25 | 48-1900-0-093 | Oil Stop Plate |
| 26 | 48-1093-0-003 | Wick |
| 27 | 48-1900-0-099 | Felt |
| 28 | 46-1001-5-043 | Needle Bar Cap |
| 29 | 48-1900-0-101 | Cap |
| 30 | 48-1900-0-089 | Wick Support(Upper) |
| 31 | 48-1092-0-020 | Screw(3.18-40×4) |
| 32 | 46-1000-8-266 | Wick |
| 33 | 48-1900-0-090 | Wick Support(Lower) |
| 34 | 46-1000-8-269 | Wick |
| 35 | 46-1000-8-272 | Wick |
| 36 | 48-1093-0-004 | Wick |
| 37 | 48-1900-0-102 | Cap(Rubber) |
| 38 | 46-1000-8-271 | Wick |
| 39 | 46-1000-8-274 | Felt |
| 40 | 46-1000-8-268 | Wick |

| Det. No | Parts. No | Description |
|---------|---------------|---------------------|
| 41 | | |
| 42 | 48-1900-0-092 | Oil Shield |
| 43 | 48-1900-0-091 | Clip |
| 44 | 48-1093-0-002 | Wick |
| 45 | 46-1001-5-073 | Pipe |
| 46 | 46-1000-8-279 | Felt |
| 47 | 46-1000-8-282 | Wick |
| 48 | 46-1001-5-099 | Oil Tube |
| 49 | 46-1001-5-108 | Oil Gauge Window |
| 50 | 46-1001-5-095 | Packing(P16) |
| 51 | 46-1001-5-101 | Oil Tube |
| 52 | 46-1000-8-284 | Wick |
| 53 | 46-1001-5-098 | Oil Cap |
| 54 | 46-1000-8-275 | Felt |
| 55 | 46-1000-8-278 | Felt |
| 56 | 48-1900-0-087 | Packing |
| 57 | 46-1000-8-226 | Oil Adjusting Screw |
| 58 | 46-1000-8-260 | Washer |
| 59 | 46-1000-8-264 | Spring Washer |
| 60 | 46-1000-8-255 | Nut(4.37) |
| 61 | 48-1900-0-088 | Oil Gauge |
| 62 | 46-1000-8-280 | Felt |
| 63 | 46-1000-8-276 | Felt |
| 64 | 46-1001-5-100 | Oil Tube |
| 65 | 46-1000-8-283 | Wick |
| 66 | 46-1000-8-281 | Felt |
| 67 | 46-1001-5-105 | Oil Pipe Support |
| 68 | 46-1000-8-213 | Screw(4.76-32×10) |
| 69 | 46-1000-8-287 | Oil Felt |
| 70 | 46-1001-5-107 | Tube Holder |
| 71 | 46-1001-5-106 | Tube Holder |
| 72 | 46-1000-8-214 | Screw(3.57-40×5) |

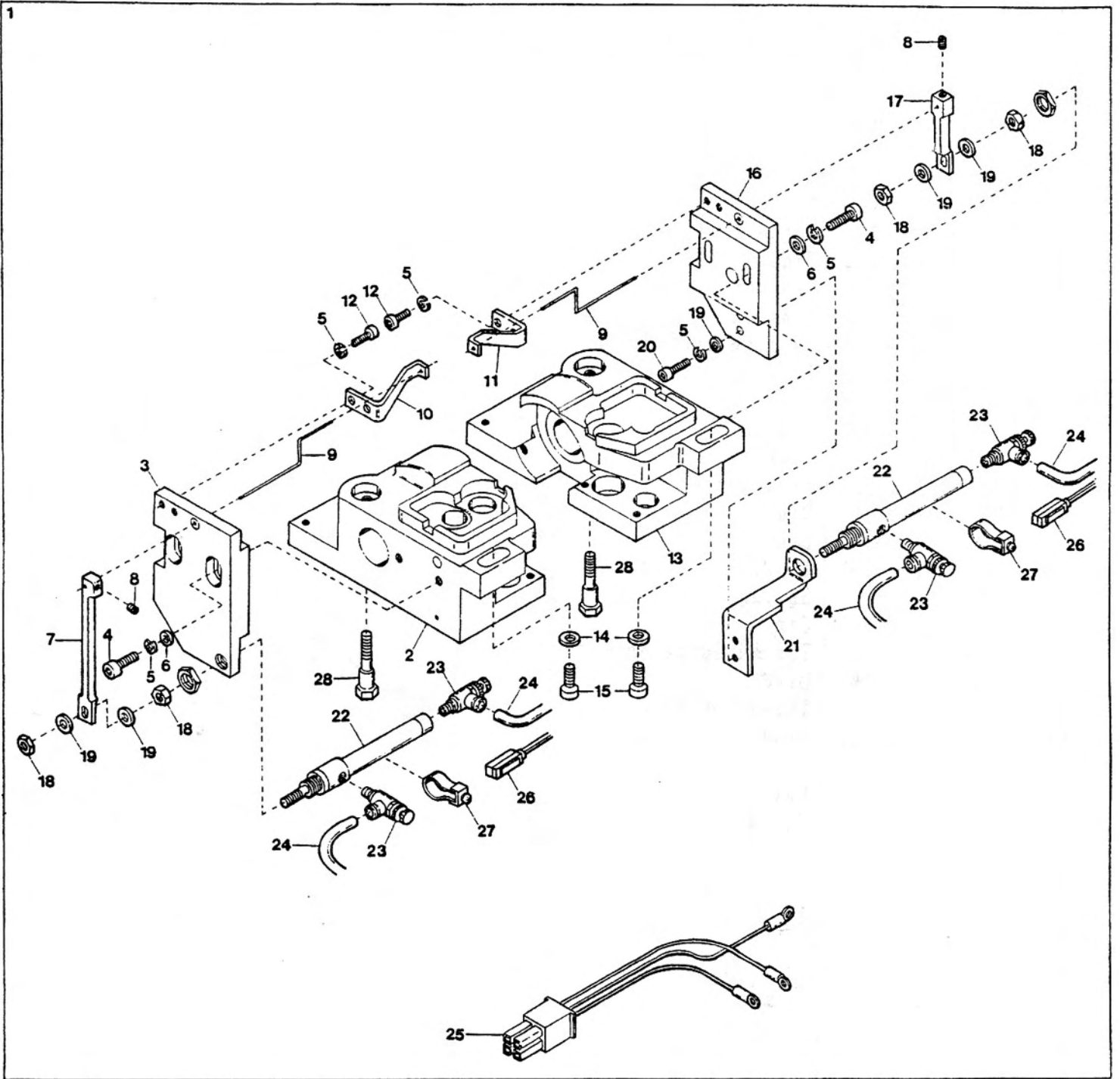


| Det. No | Parts. No | Description |
|---------|---------------|------------------------------|
| 1 | 46-1001-5-174 | Bobbin Winder Assembly |
| 2 | 46-1001-5-170 | Tension Disc |
| 3 | 46-1001-5-169 | Tension Spring |
| 4 | 46-1001-5-171 | Spring |
| 5 | 46-1001-5-168 | Bobbin Winder Shaft |
| 6 | 46-1001-5-173 | Bobbin Winder Wheel Assembly |
| 7 | 46-1000-8-217 | Screw(4.37×5) |
| 8 | 46-1000-8-218 | Screw(3.18) |
| 9 | 46-1000-8-227 | Stud Screw(3.18) |
| 10 | 46-1001-5-172 | Bobbin Winder Wheel Stop |
| 11 | 46-1000-8-219 | Screw(3.57×3.5) |
| 12 | 46-1000-8-246 | Screw(5.5×20) |
| 13 | 46-1001-5-167 | Cotton Stand Assembly 3 |
| 14 | 46-1001-5-166 | Cotton Stand Base Assembly |
| 15 | 46-1000-8-244 | Screw(6×7) |
| 16 | 46-1000-8-247 | Screw(4.5×22) |
| 17 | 46-1001-5-157 | Pipe |
| 18 | 46-1001-5-158 | Joint for Cotton Stand |
| 19 | 46-1000-8-220 | Screw(5×14) |
| 20 | 46-1000-8-251 | Nut |
| 21 | 46-1001-5-164 | Spool Holder |
| 22 | 46-1000-8-221 | Bolt(5×28) |
| 23 | 46-1000-8-262 | Washer |
| 24 | 46-1001-5-159 | Spool Shaft(B) |
| 25 | 46-1000-8-265 | Spring Washer |
| 26 | | |
| 27 | 46-1001-5-162 | Spool Stand Base |
| 28 | 46-1001-5-161 | Spool Mat |
| 29 | 46-1001-5-160 | Spool Cushion |
| 30 | 46-1001-5-163 | Spool Holder Support(A) |
| 31 | 46-1000-8-222 | Screw(5×10) |
| 32 | | |
| 33 | | |
| 34 | 46-1001-5-156 | Thread Hanger Assembly 3 |
| 35 | | |
| 36 | 46-1001-5-181 | Thread Bushing |
| 37 | 46-1001-5-182 | Thread Guide Spring |
| 38 | 46-1001-5-175 | Belt Cover Assembly |
| 39 | 46-1000-8-249 | Belt Cover Stud(B) |
| 40 | 46-1000-8-250 | Belt Cover Stud(D) |

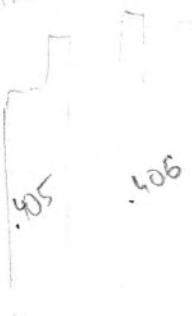
| Det. No | Parts. No | Description |
|---------|---------------|------------------|
| 41 | 46-1000-8-223 | Screw(4.37-40×8) |
| 42 | 46-1000-8-264 | Spring Washer |
| 43 | | |
| 44 | 46-1000-8-263 | Washer |
| 45 | 48-1092-0-022 | Bolt(4.37) |



| Det. Na | Parts. Na | Description |
|---------|---------------|--------------------------------|
| 1 | 46-1001-5-111 | Upper Tension Control Assembly |
| 2 | 46-1001-5-017 | Tension Stud |
| 3 | 46-1001-5-018 | Thread Take-up Spring |
| 4 | 46-1001-5-016 | Spring Guide Assembly |
| 5 | 46-1000-8-204 | Screw 2.38 |
| 6 | 46-1001-5-110 | Tension Stud |
| 7 | 46-1001-5-011 | Tension Disc |
| 8 | 46-1001-5-010 | Tension Disc Washer |
| 9 | 46-1001-5-009 | Tension Spring |
| 10 | 46-1000-8-256 | Tension Control Nut |
| 11 | 46-1001-5-014 | Tension Release Plate |
| 12 | 46-1000-8-224 | Stud Screw 3.57 |
| 13 | 46-1001-5-013 | Pin |
| 14 | 46-1001-5-012 | Pin |
| 15 | 46-1001-5-015 | Tension Release Spring |
| 16 | 46-1001-5-005 | Cap |
| 17 | 46-1001-5-006 | Thread Guide Spring |
| 18 | 46-1001-5-007 | Disc |
| 19 | 46-1001-5-008 | Thread Guide Bracket |
| 20 | 46-1000-8-225 | Stud Screw |
| 21 | 46-1000-8-253 | Nut 3.57 |
| 22 | 46-1000-8-201 | Screw(4.37-40×16) |



SINGLE SOURCE

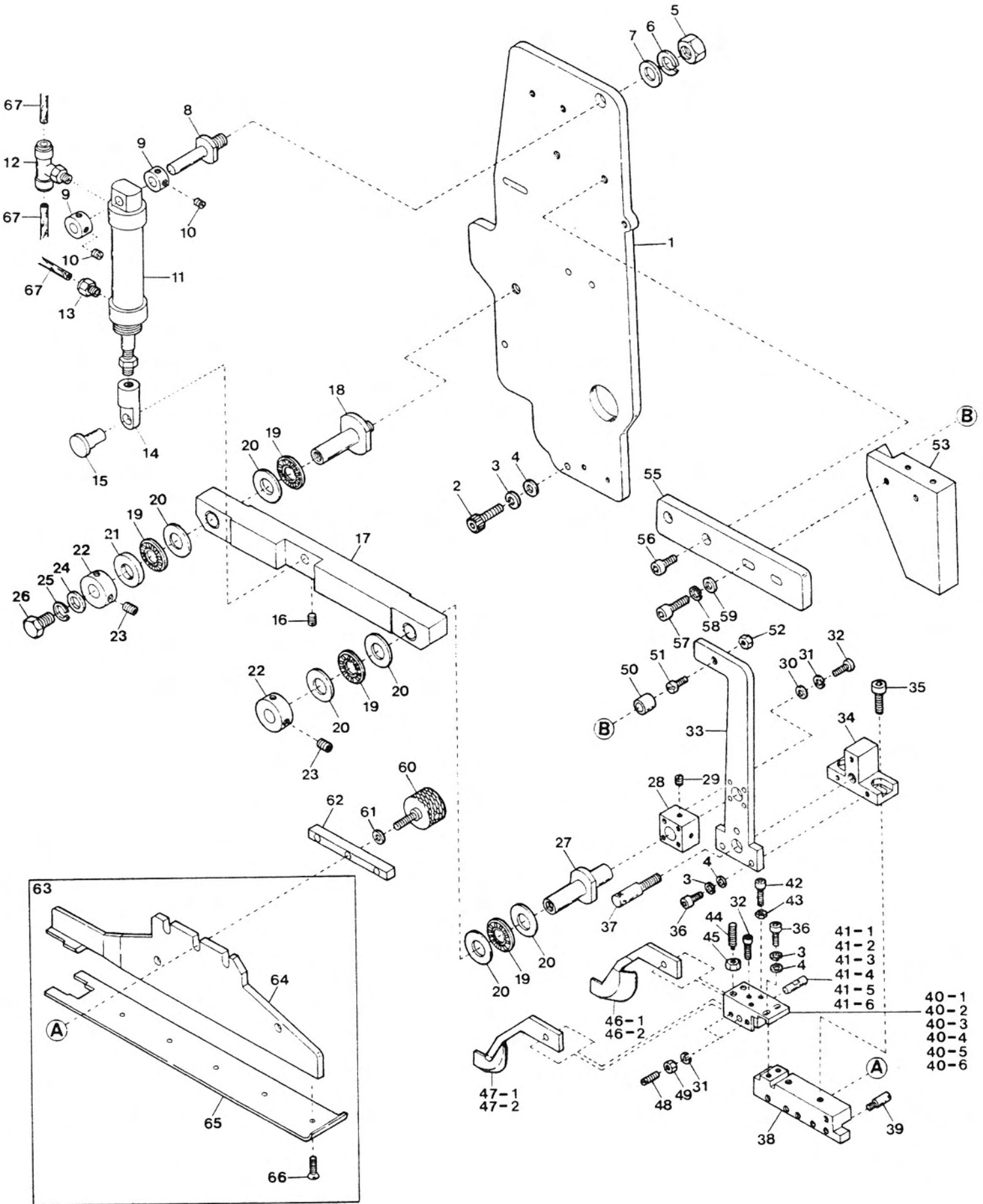


PRCA GUIDES

| Det. No | Parts. No | Description |
|---------|---------------|---------------------------------|
| 1 | 48-1125-5-627 | Bobbin Thread Monitor, Complete |
| 2 | 46-1125-5-168 | Rotary Hook Base (Left) |
| 3 | 46-1125-5-149 | Holder(Left) Unit |
| 4 | 46-1000-9-749 | Screw(M4-0.7×16) |
| 5 | 46-1000-0-644 | Spring Washer |
| 6 | 46-1000-0-538 | Washer |
| 7 | 46-1125-5-155 | Sensing Bar Connection(Left) |
| 8 | 46-1016-0-001 | Screw(M4-0.7×4) |
| 9 | 46-1125-5-158 | Sensing Bar |
| 10 | 46-1125-5-157 | Sensing Bar Guide (Left) |
| 11 | 46-1125-5-156 | Sensing Bar Guide (Right) |
| 12 | 46-1000-9-746 | Screw(M4-0.7×8) |
| 13 | 46-1125-5-169 | Rotary Hook Base (Right) |
| 14 | 46-1000-0-663 | Washer |
| 15 | 46-1000-6-197 | Screw(1/4-24×22) |
| 16 | 48-1125-5-148 | Holder(Right) Unit |
| 17 | 46-1125-5-323 | Sensing Bar Connection(Right) |
| 18 | 46-1000-0-015 | Nut |
| 19 | 46-1000-0-665 | Washer |
| 20 | 46-1000-9-748 | Screw(M4-0.7×12) |
| 21 | 46-1125-5-153 | Cylinder Support (Right) |
| 22 | 46-1109-1-017 | Cylinder(RMS10-ND-20) |
| 23 | 48-1109-5-001 | Speed Control |
| 24 * | 46-1001-0-260 | Air Tubing(4×2.5mm) |
| 25 | 48-1120-0-075 | Signal Cord |
| 26 | 48-1106-6-065 | Sensing Switch |
| 27 | 48-1109-8-008 | Band |
| 28 | 46-1000-6-195 | Screw(15/64-28×31) |
| | | * Specify Length. |

46-1125-0-405

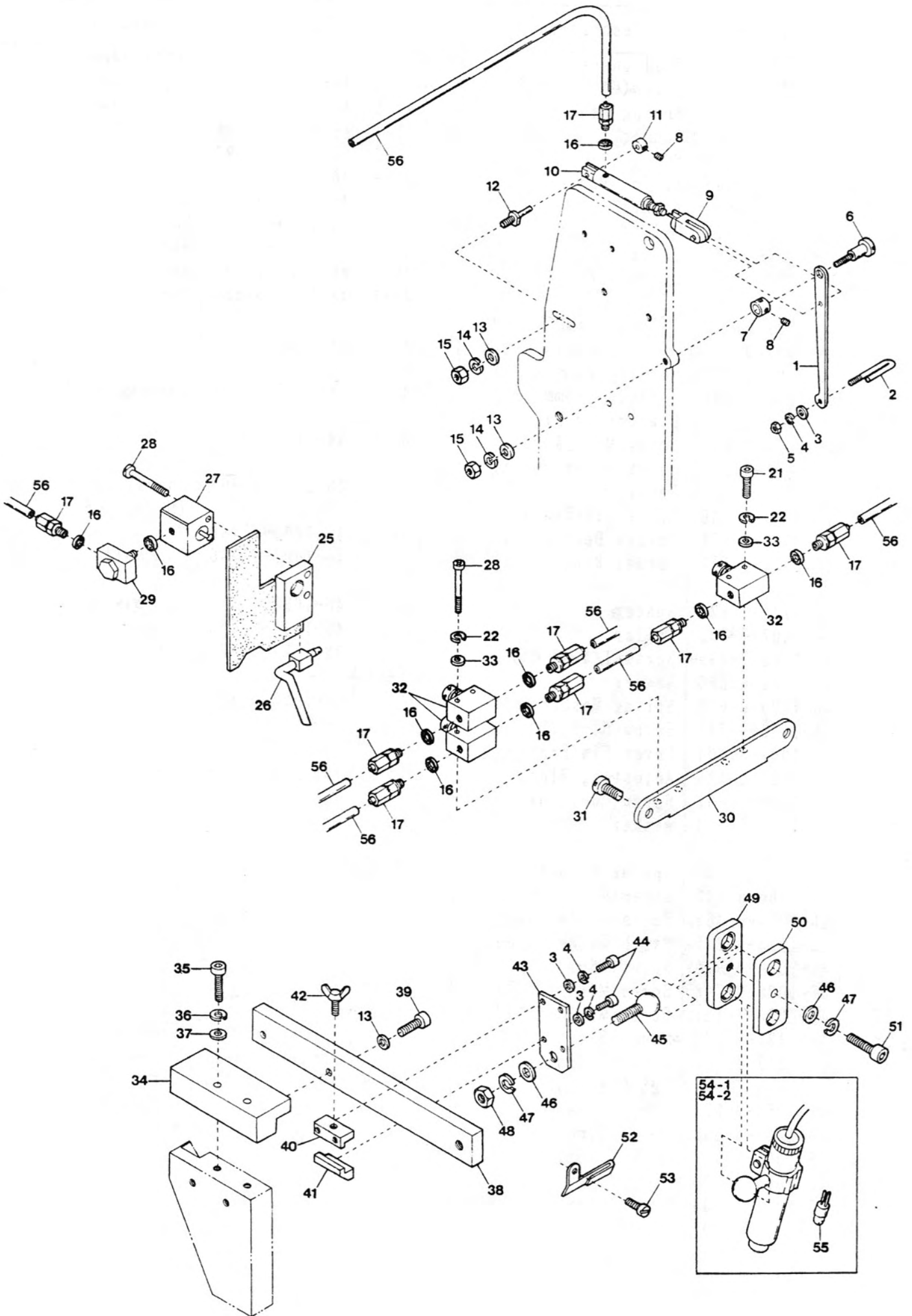
48-1125-0-406



| Det. No | Parts. No | Description |
|---------|---------------|--------------------------|
| 1 | 38-1125-5-939 | Head Cover |
| 2 | 46-1000-9-749 | Screw(M4-0.7×16) |
| 3 | 46-1000-0-644 | Spring Washer |
| 4 | 46-1000-0-665 | Washer |
| 5 | 46-1000-0-260 | Nut |
| 6 | 46-1000-0-439 | Spring Washer |
| 7 | 46-1000-0-612 | Washer |
| 8 | 46-1001-4-523 | Cylinder Pin |
| 9 | 46-1007-7-296 | Collar |
| 10 | 46-1000-7-650 | Screw(11/64-40×5) |
| 11 | 46-1001-0-247 | Cylinder(EMD20×30) |
| 12 | 46-1001-0-056 | T-Connector(φ 4-1/8) |
| 13 | 46-1001-0-055 | Connector(φ 4-1/8) |
| 14 | 46-1001-0-285 | I-Knuckle(8mm) |
| 15 | 46-1001-4-533 | Connecting Pin |
| 16 | 46-1000-3-659 | Screw(M5-0.8×5) |
| 17 | 46-1001-4-536 | Patch Guide Moving Lever |
| 18 | 48-1125-5-246 | Lever Pin(Rear) |
| 19 | 46-1001-4-571 | Thrust Bearing |
| 20 | 46-1001-4-572 | Thrust Ring |
| 21 | 48-1125-5-231 | Spacer |
| 22 | 46-1007-7-286 | Collar |
| 23 | 46-1000-3-635 | Screw(1/4-40×6) |
| 24 | 46-1000-0-666 | Washer |
| 25 | 46-1000-0-676 | Spring Washer |
| 26 | 46-1000-9-777 | Screw(M8-1.25×14) |
| 27 | 46-1001-5-484 | Lever Pin(Front) |
| 28 | 46-1001-5-485 | Adjusting Block |
| 29 | 46-1000-3-662 | Screw(M6-1×6) |
| 30 | 46-1000-0-014 | Washer |
| 31 | 46-1000-0-002 | Spring Washer |
| 32 | 46-1000-9-745 | Screw(M3-0.5×15) |
| 33 | 46-1001-5-486 | Patch Guide Lever |
| 34 | 48-1125-5-745 | Patch Guide Holder |
| 35 | 46-1000-9-970 | Screw(M6-1×20) |
| 36 | 46-1000-9-748 | Screw(M4-0.7×12) |
| 37 | 46-1000-6-191 | Screw(M8-1.25×12) |
| 38 | 46-1125-5-103 | Mount Block |
| 39 | 46-1018-0-013 | Screwed Pin (M5-0.8×20) |
| 40-1 | 46-1001-4-537 | Block(10mm) |
| 40-2 | 46-1001-4-538 | " (12mm) |
| 40-3 | 46-1001-5-202 | " (14mm) |
| 40-4 | 46-1001-5-293 | " (16mm) |
| 40-5 | 46-1001-5-294 | " (18mm) |
| 40-6 | 46-1001-5-295 | " (20mm) |

| Det. No | Parts. No | Description |
|---------|---------------|----------------------------------|
| 41-1 | 46-1001-4-521 | Shaft(10mm) |
| 41-2 | 46-1001-4-522 | " (12mm) |
| 41-3 | 46-1001-5-200 | " (14mm) |
| 41-4 | 46-1001-5-296 | " (16mm) |
| 41-5 | 46-1001-5-297 | " (18mm) |
| 41-6 | 46-1001-5-298 | " (20mm) |
| 42 | 46-1000-9-744 | Screw(M3-0.5×10) |
| 43 | 46-1000-0-012 | Nut |
| 44 | 46-1001-4-535 | Spring Plunger |
| 45 | 46-1000-0-009 | Nut |
| 46-1 | 48-1125-5-855 | Jumping Guide(Right) (10mm) |
| 46-2 | 48-1125-5-723 | " " (12~20mm) |
| 47-1 | 48-1125-5-856 | Jumping Guide(Left) (10mm) |
| 47-2 | 48-1125-5-724 | " " (12~20mm) |
| 48 | 48-1015-0-003 | Adjusting Screw (M3-0.5×6) |
| 49 | 48-1000-0-488 | Nut |
| 50 | 46-1001-4-186 | Cam Roller |
| 51 | 46-1000-6-186 | Screw(M6-1×10) |
| 52 | 46-1000-0-063 | Nut |
| 53 | 38-1125-6-177 | Patch Guide Cam |
| 54 | | |
| 55 | 38-1125-6-178 | Patch Guide Cam Arm |
| 56 | 46-1000-9-980 | Screw(M6-1×10) |
| 57 | 46-1000-9-977 | Screw(M6-1×25) |
| 58 | 46-1000-0-667 | Spring Washer |
| 59 | 46-1000-0-663 | Washer |
| 60 | 46-1125-5-112 | Fixing Knob |
| 61 | 46-1000-0-669 | Washer |
| 62 | 46-1125-5-113 | Fixing Plate |
| 63 | ----- | Patch Guide, C. (See Page 30) |
| 64 | ----- | Patch Guide(Upper) (See Page 30) |
| 65 | ----- | Patch Guide(Lower) (See Page 30) |
| 66 | 46-1000-9-734 | Screw(M2-0.4×6) |
| 67 * | 46-1001-0-260 | Air Tubing(4×2.5mm) |

* Specify Length.



| Det. No | Parts. No | Description |
|---------|---------------|---------------------|
| 1 | 46-1001-4-566 | Wiper Lever |
| 2 | 46-1001-4-525 | Wiping Bar |
| 3 | 46-1000-0-665 | Washer |
| 4 | 46-1000-0-644 | Spring Washer |
| 5 | 46-1000-0-015 | Nut |
| 6 | 46-1000-6-192 | Screw(M5-0.8×11) |
| 7 | 46-1009-4-562 | Collar |
| 8 | 46-1000-3-637 | Screw(1/8-44×2.5) |
| 9 | 46-1001-0-283 | Y-Knuckle(3mm) |
| 10 | 46-1001-0-249 | Cylinder(MS10PFS10) |
| 11 | 46-1008-0-714 | Collar |
| 12 | 46-1001-4-539 | Wiper Lever Pin |
| 13 | 46-1000-0-669 | Washer |
| 14 | 46-1000-0-600 | Spring Washer |
| 15 | 46-1000-0-009 | Nut |
| 16 | 46-1000-0-623 | Gasket |
| 17 | 46-1001-0-258 | Connector |
| 18 | | |
| 19 | | |
| 20 | | |
| 21 | 46-1000-9-801 | Screw(M3-0.5×20) |
| 22 | 46-1000-0-002 | Spring Washer |
| 23 | | |
| 24 | | |
| 25 | 46-1001-4-971 | Cylinder Holder |
| 26 | 46-1001-5-443 | Oil Return Pipe |
| 27 | 46-1001-0-246 | Cylinder(SPS-12×5) |
| 28 | 46-1000-9-768 | Screw(M3-0.5×30) |
| 29 | 46-1001-0-019 | L-Connector |
| 30 | 46-1001-4-430 | Support |
| 31 | 46-1000-4-642 | Screw(1/4-24×12) |
| 32 | 46-1001-0-054 | Speed Control |
| 33 | 46-1000-0-014 | Washer |
| 34 | 46-1001-4-529 | Block |
| 35 | 46-1000-9-753 | Screw(M6-1×30) |
| 36 | 46-1000-0-667 | Spring Washer |
| 37 | 46-1000-0-663 | Washer |
| 38 | 46-1001-4-530 | Adjusting Plate |
| 39 | 46-1000-9-752 | Screw(M5-0.8×15) |
| 40 | 46-1001-4-531 | Block(Upper) |

| Det. No | Parts. No | Description |
|---------|---------------|------------------------------------|
| 41 | 46-1001-4-532 | Block(Lower) |
| 42 | 46-1000-9-911 | Screw(M5-0.8×8) |
| 43 | 46-1001-4-528 | Support |
| 44 | 46-1000-9-747 | Screw(M4-0.7×10) |
| 45 | 46-1000-6-187 | Ball Screw (M8-1.25×23) |
| 46 | 46-1000-0-666 | Washer |
| 47 | 46-1000-0-676 | Spring Washer |
| 48 | 46-1000-0-016 | Nut |
| 49 | 46-1001-4-224 | Lamp Holder(Left) |
| 50 | 46-1001-4-225 | Lamp Holder(Right) |
| 51 | 46-1000-9-758 | Screw(M8-1.25×30) |
| 52 | 46-1001-4-260 | Needle Thread Eyelet |
| 53 | 46-1000-5-000 | Screw(9/64-40×5.7) |
| 54-1 | 48-1120-0-063 | Work Locating Lamp, C. (H Type) |
| 54-2 | 48-1120-0-064 | " " " " C. (- Type) |
| 55 | 48-1120-0-083 | Lamp |
| 56 * | 46-1001-0-260 | Air Tubing(4×2.5mm) |

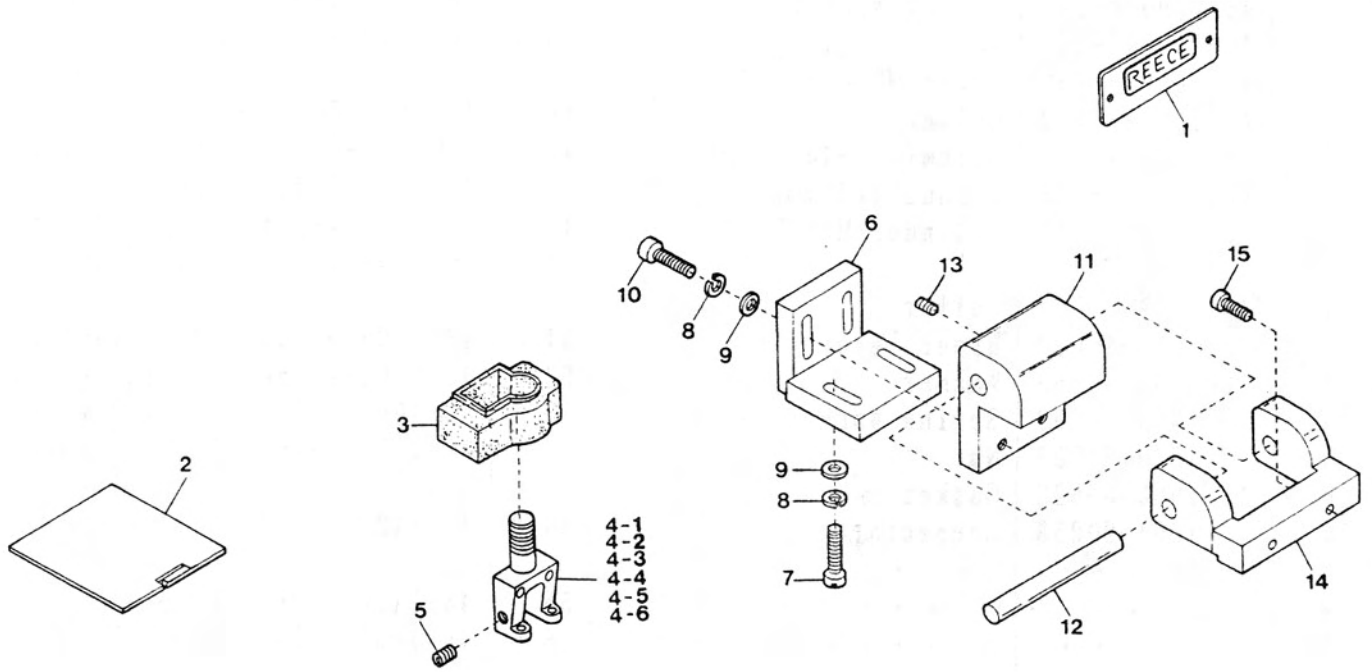
* Specify Length.

↓

*Janato doesn't supply
3 mm tubing in case
someone asks.*

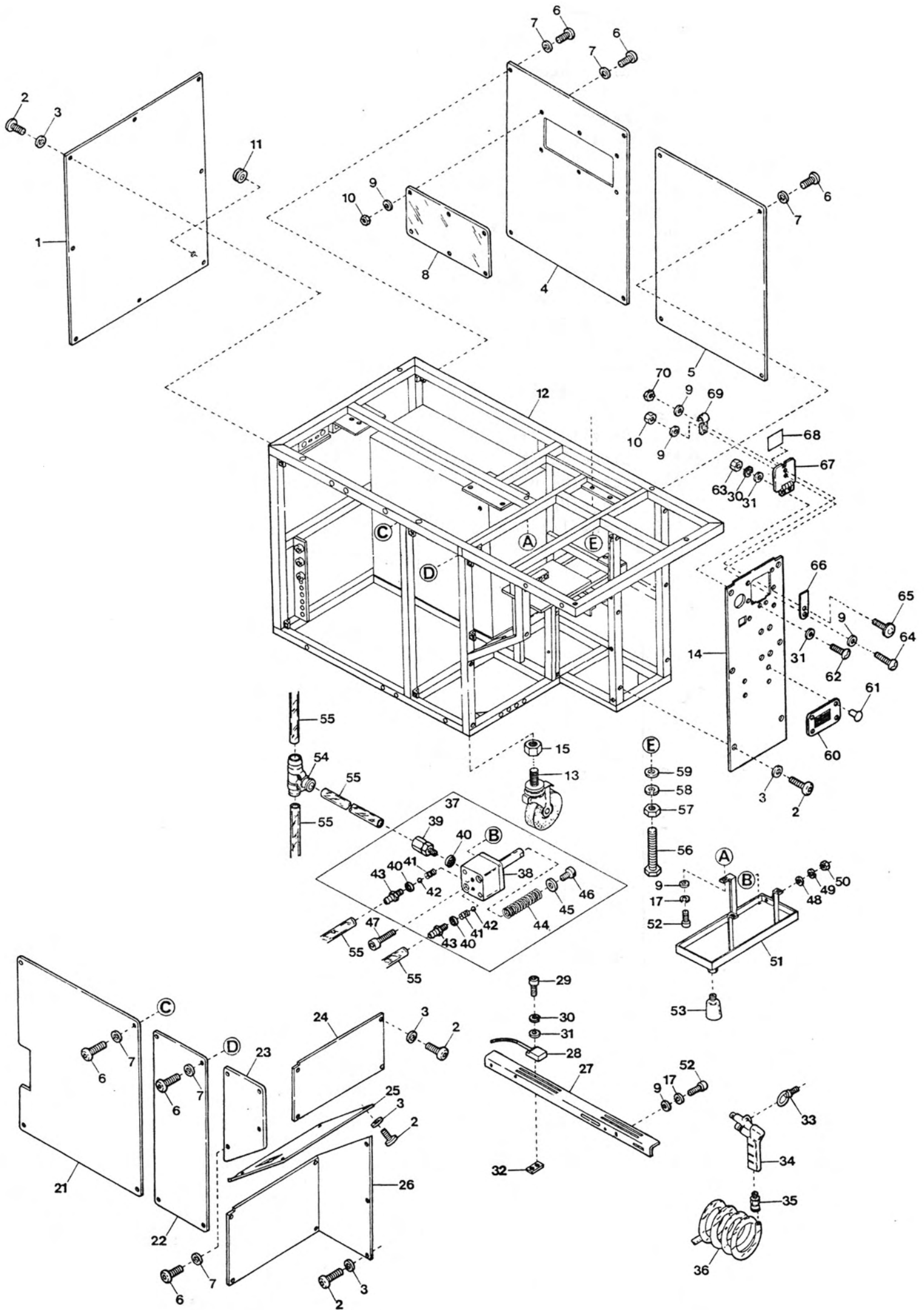
PETRA MLÉCHOVÁ

*Also see our supplier
SME or any other "czech"
supplier of tubing.*



HINGE PARTS

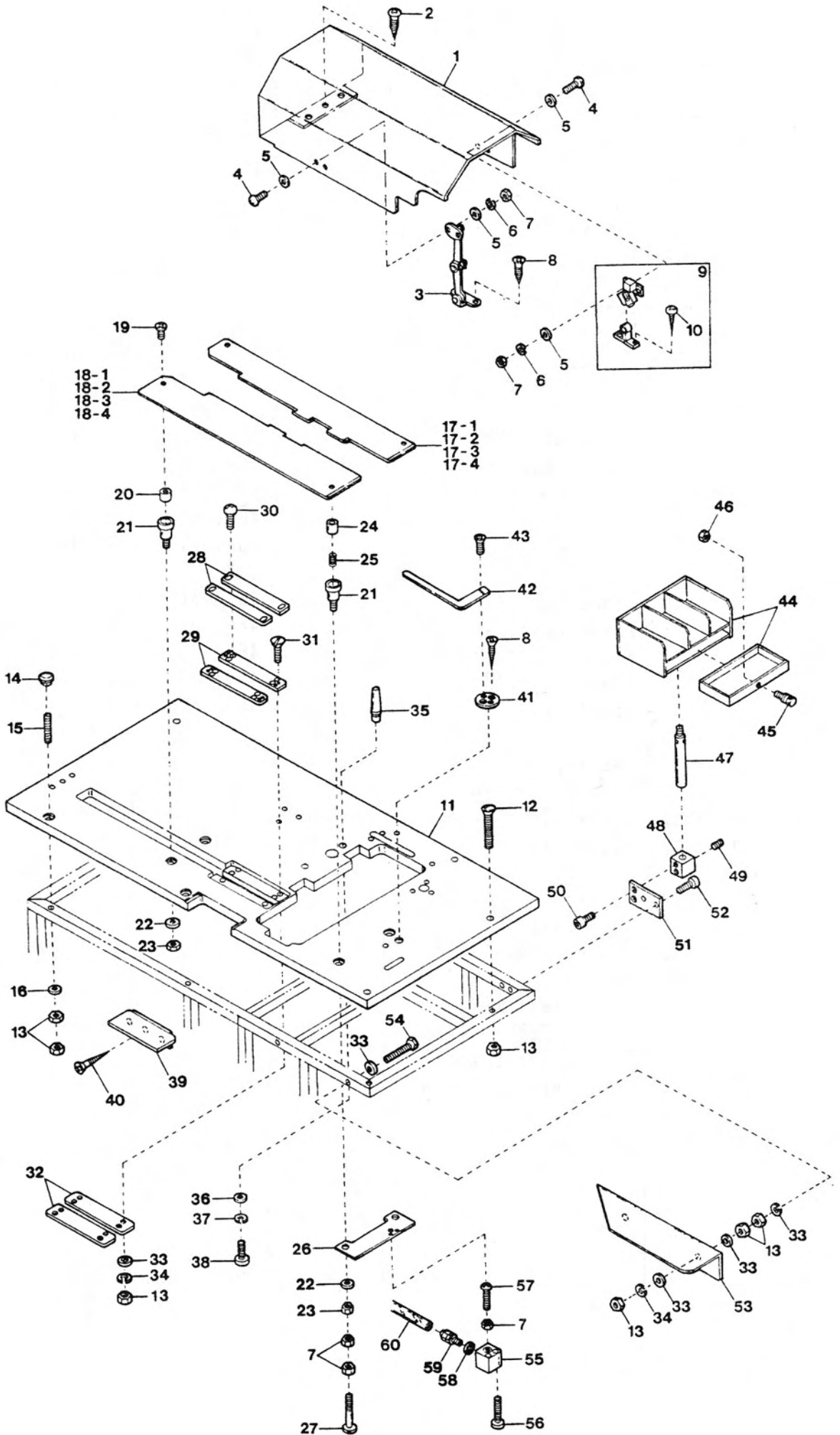
| Det. No | Parts. No | Description |
|---------|---------------|--------------------|
| 1 | 46-1001-4-409 | Brand Name Plate |
| 2 | 46-1001-4-408 | Slide Plate |
| 3 | 48-1125-5-524 | Rubber |
| 4-1 | 48-1900-0-001 | Needle Head(10mm) |
| 4-2 | 48-1900-0-002 | " (12mm) |
| 4-3 | 48-1900-0-003 | " (14mm) |
| 4-4 | 48-1900-0-004 | " (16mm) |
| 4-5 | 48-1900-0-005 | " (18mm) |
| 4-6 | 48-1900-0-006 | " (20mm) |
| 5 | 48-1026-0-004 | Screw(1/8-40×2.5) |
| 6 | 46-1001-4-425 | Hinge(Lower) |
| 7 | 46-1000-9-977 | Screw(M6-1×25) |
| 8 | 46-1000-0-667 | Spring Washer |
| 9 | 46-1000-0-663 | Washer |
| 10 | 46-1000-9-970 | Screw(M6-1×20) |
| 11 | 46-1001-4-424 | Hinge(Middle) |
| 12 | 46-1001-4-411 | Hinge Shaft |
| 13 | 46-1000-9-736 | Screw(M4-0.7×6) |
| 14 | 46-1001-4-423 | Hinge(Upper) |
| 15 | 46-1000-5-061 | Screw(1/4-24×16.7) |



| Det. No | Parts. No | Description |
|---------|---------------|---------------------|
| 1 | 46-1001-4-728 | Frame Cover(3) |
| 2 | 46-1000-9-774 | Screw(M4-0.7×9.7) |
| 3 | 46-1000-0-670 | Washer |
| 4 | 48-1125-5-502 | Frame Cover(4) |
| 5 | 48-1125-5-503 | Frame Cover(5) |
| 6 | 48-1000-5-612 | Screw(M6-1×12) |
| 7 | 46-1000-0-663 | Washer |
| 8 | 46-1001-4-584 | Sight Window |
| 9 | 46-1000-0-665 | Washer |
| 10 | 46-1000-0-015 | Nut |
| 11 | 46-1001-0-958 | Cord Bushing |
| 12 | 48-1125-5-852 | Frame |
| 13 | 46-1001-5-224 | Caster |
| 14 | 38-1125-5-938 | Control Box Cover |
| 15 | 46-1000-0-065 | Nut |
| 16 | 46-1000-9-974 | Screw(M4-0.7×8) |
| 17 | 46-1000-0-644 | Spring Washer |
| 18 | | |
| 19 | | |
| 20 | | |
| 21 | 48-1125-5-500 | Frame Cover(2) |
| 22 | 48-1125-5-499 | Frame Cover(1) |
| 23 | 38-1125-5-078 | Frame Cover(9) |
| 24 | 48-1125-5-523 | Frame Cover(6) |
| 25 | 46-1001-4-924 | Frame Cover(7) |
| 26 | 46-1001-4-925 | Frame Cover(8) |
| 27 | 48-1125-5-445 | Sensing Switch Rail |
| 28 | 48-1106-6-014 | Sensing Switch |
| 29 | 46-1000-9-745 | Screw(M3-0.5×15) |
| 30 | 46-1000-0-002 | Spring Washer |
| 31 | 46-1000-0-014 | Washer |
| 32 | 46-1001-4-780 | Nut Plate |
| 33 | 46-1000-6-226 | Eye Bolt(M6-1×14) |
| 34 | 46-1001-5-475 | Air Gun |
| 35 | 46-1001-0-264 | Connector(φ 6-1/4) |
| 36 | 46-1001-0-256 | Spiral Tube(6×4mm) |
| 37 | 46-1001-5-220 | Oil Return Pump, C. |
| 38 | 46-1001-0-304 | Cylinder(SPD20×10) |
| 39 | 46-1001-0-258 | Connector |
| 40 | 46-1000-0-623 | Gasket |

| Det. No | Parts. No | Description |
|---------|---------------|----------------------|
| 41 | 46-1003-6-104 | Spring |
| 42 | 46-1001-5-221 | Steel Ball |
| 43 | 46-1001-0-018 | Connector |
| 44 | 46-1001-4-977 | Pump Cylinder Spring |
| 45 | 46-1000-0-555 | Washer |
| 46 | 46-1000-9-751 | Screw(M5-0.8×10) |
| 47 | 46-1000-6-229 | Screw(M5-0.8×40) |
| 48 | 46-1000-0-426 | Washer |
| 49 | 46-1000-0-600 | Spring Washer |
| 50 | 46-1000-0-009 | Nut |
| 51 | 46-1001-4-770 | Oil Pan |
| 52 | 46-1000-9-747 | Screw(M4-0.7×10) |
| 53 | 46-1001-4-656 | Oil Retainer |
| 54 | 46-1001-0-271 | T-Connector |
| 55 * | 46-1001-0-260 | Air Tubing(4×2.5mm) |
| 56 | 46-1000-6-232 | Bolt(M8-1.25×80) |
| 57 | 46-1000-0-016 | Nut |
| 58 | 46-1000-0-676 | Spring Washer |
| 59 | 46-1000-0-666 | Washer |
| 60 | 46-1001-8-826 | Model Plate |
| 61 | 46-1034-0-005 | Rivet |
| 62 | 46-1000-9-994 | Screw(M3-0.5×8) |
| 63 | 46-1000-0-012 | Nut |
| 64 | 46-1000-9-992 | Screw(M4-0.7×10) |
| 65 | 46-1000-6-434 | Screw(11/64-40×6) |
| 66 | 38-1125-5-942 | Front Cover Stop |
| 67 | 38-1125-5-941 | Front Cover |
| 68 | 38-1039-0-075 | Sticker |
| 69 | 38-1125-3-220 | Stop Spring |
| 70 | 46-1000-0-335 | Nut |

* Specify Length.



| Det. No | Parts. No | Description |
|---------|---------------|---------------------------------------|
| 1 | 46-1001-4-512 | Mechanism Cover |
| 2 | 46-1000-6-905 | Wood Screw($\phi 5.1 \times 20$) |
| 3 | 46-1001-4-655 | Cover Stay |
| 4 | 46-1000-9-994 | Screw(M3-0.5 \times 8) |
| 5 | 46-1000-0-014 | Washer |
| 6 | 46-1000-0-002 | Spring Washer |
| 7 | 46-1000-0-012 | Nut |
| 8 | 46-1000-9-814 | Wood Screw($\phi 3.1 \times 20$) |
| 9 | 46-1001-4-720 | Cover Latch |
| 10 | 46-1000-6-203 | Wood Screw($\phi 2.4 \times 16$) |
| 11 | 38-1960-1-008 | Table Top |
| 12 | 46-1000-6-196 | Bolt(M8-1.25 \times 57) |
| 13 | 46-1000-0-016 | Nut |
| 14 | 46-1000-0-070 | Hanging Nut |
| 15 | 46-1000-9-858 | Hanging Bolt (M8-1.25 \times 75) |
| 16 | 46-1000-0-429 | Washer |
| 17-1 | 48-1125-5-931 | Slide Plate(Right) (10, 12, 14mm) |
| 17-2 | 48-1125-5-933 | " (16mm) |
| 17-3 | 48-1125-5-935 | " (18mm) |
| 17-4 | 48-1125-5-937 | " (20mm) |
| 18-1 | 48-1125-5-930 | Slide Plate(Left) (10, 12, 14mm) |
| 18-2 | 48-1125-5-932 | " (16mm) |
| 18-3 | 48-1125-5-934 | " (18mm) |
| 18-4 | 48-1125-5-936 | " (20mm) |
| 19 | 46-1000-9-770 | Screw(M4-0.7 \times 8) |
| 20 | 46-1001-4-032 | Holding Pin |
| 21 | 46-1001-5-222 | Slide Plate Holder |
| 22 | 46-1000-0-433 | Washer |
| 23 | 46-1000-0-421 | Nut |
| 24 | 46-1001-5-223 | Stop Pin |
| 25 | 46-1001-4-056 | Spring |
| 26 | 38-1125-6-113 | Cylinder Holder |
| 27 | 46-1000-6-223 | Screw(M3-0.5 \times 55) |
| 28 | 48-1125-5-505 | Plate |
| 29 | 48-1125-5-506 | Plate Support |
| 30 | 46-1000-9-954 | Screw(M6-1 \times 8) |

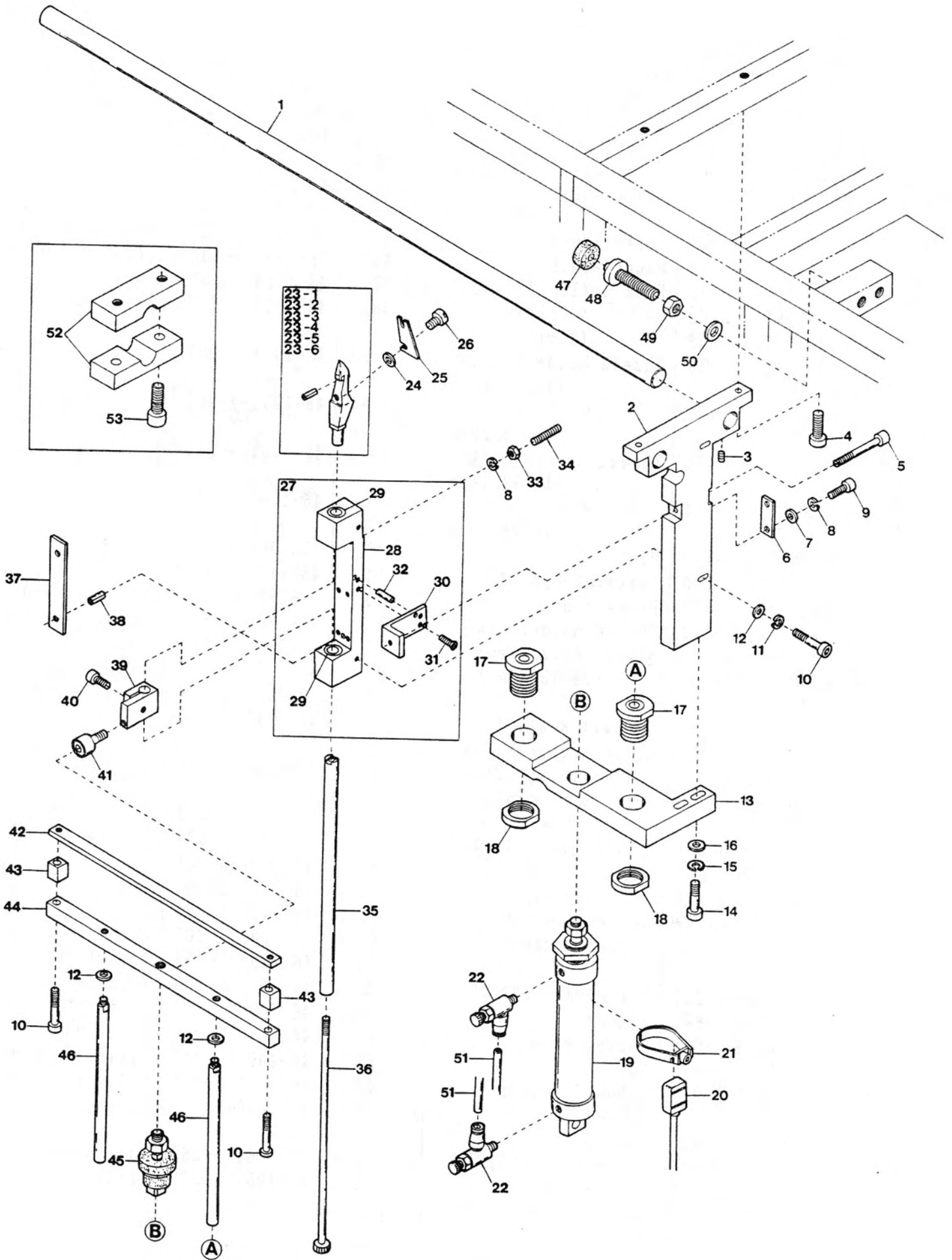
| Det. No | Parts. No | Description |
|---------|---------------|--|
| 31 | 46-1000-9-807 | Screw(M8-1.25 \times 40) |
| 32 | 48-1125-5-507 | Nut Plate |
| 33 | 46-1000-0-666 | Washer |
| 34 | 46-1000-0-676 | Spring Washer |
| 35 | 48-1125-5-565 | Machine Stay |
| 36 | 48-1000-0-605 | Washer |
| 37 | 46-1000-0-667 | Spring Washer |
| 38 | 46-1000-9-970 | Screw(M6-1 \times 20) |
| 39 | 46-1001-4-659 | Plate |
| 40 | 46-1000-6-209 | Wood Screw ($\phi 3.5 \times 21.5$) |
| 41 | 46-1001-4-661 | Plate |
| 42 | 46-1001-4-675 | Stay Holder |
| 43 | 46-1000-6-227 | Screw(M4-0.7 \times 5) |
| 44 | 46-1001-4-680 | Tray |
| 45 | 46-1000-6-444 | Knob |
| 46 | 46-1000-0-332 | Nut |
| 47 | 46-1001-4-302 | Mount Shaft |
| 48 | 46-1001-4-300 | Shaft Holder |
| 49 | 46-1000-9-740 | Screw(M6-1 \times 10) |
| 50 | 46-1000-9-747 | Screw(M4-0.7 \times 10) |
| 51 | 46-1001-4-301 | Support |
| 52 | 46-1000-9-755 | Screw(M6-1 \times 45) |
| 53 | 48-1125-5-885 | Extension Plate |
| 54 | 46-1000-6-232 | Bolt(M8-1.25 \times 80) |
| 55 | 46-1001-0-248 | Cylinder(SPS-12 \times 5) |
| 56 | 46-1000-9-801 | Screw(M3-0.5 \times 20) |
| 57 | 46-1000-9-793 | Screw(M3-0.5 \times 35) |
| 58 | 46-1000-0-623 | Gasket |
| 59 | 46-1001-0-258 | Connector |
| 60 * | 46-1001-0-260 | Air Tubing(4 \times 2.5mm) |

* Specify Length.

| Det. No | Parts. No | Description |
|---------|---------------|--|
| 1 | 46-1001-4-481 | Cylinder Support |
| 2 | 46-1000-9-752 | Screw(M5-0.8×10) |
| 3 | 46-1000-0-600 | Spring Washer |
| 4 | 46-1000-0-669 | Washer |
| 5 | 46-1001-0-241 | Cylinder(MS16ND-40P) |
| 6 | 46-1000-0-623 | Gasket |
| 7 | 46-1001-0-019 | L-Connector |
| 8 | 46-1001-0-258 | Connector |
| 9 | 46-1001-4-840 | Universal Joint |
| 10 | 46-1001-4-482 | Shaft |
| 11 | 46-1000-6-178 | Screw(1/8-44×4.8) |
| 12 | 48-1125-5-718 | Mount Block |
| 13-1 | 46-1001-4-483 | Pick-up(10, 12, 14mm) |
| 13-2 | 46-1001-5-302 | " (16, 18mm) |
| 13-3 | 46-1125-5-696 | " (20mm) |
| 14-1 | 48-1125-5-430 | Thread Holder(Right) (10, 12, 14mm) |
| 14-2 | 48-1125-5-600 | " (16, 18, 20mm) |
| 15-1 | 48-1125-5-431 | Thread Holder(Left) (10, 12, 14mm) |
| 15-2 | 48-1125-5-601 | " (16, 18, 20mm) |
| 16 | 48-1125-5-432 | Pin |
| 17 | 46-1016-0-000 | Screw(M3-0.5×3) |
| 18 | 46-1001-4-577 | Press Pin |
| 19 | 46-1001-4-573 | Thread Holder Pin |
| 20-1 | 46-1001-4-244 | Blade(10, 12, 14mm) |
| 20-2 | 46-1001-5-292 | " (16, 18, 20mm) |
| 21 | 46-1000-1-222 | Screw(1/8-44×4.8) |
| 22 | 46-1109-1-060 | Cylinder(MS6-NFS-5) |
| 23 | 48-1125-5-715 | Cylinder Support |
| 24 | 46-1000-9-976 | Screw(M6-1×15) |
| 25 | | |
| 26 | 46-1001-0-721 | Cord Clamp(φ 19-11N) |
| 27 | 46-1000-0-665 | Washer |
| 28 | 46-1000-0-644 | Spring Washer |
| 29 | 46-1000-9-748 | Screw(M4-0.7×12) |
| 30 | 38-1109-1-038 | Cylinder(M20-PD10) |
| 31 | 46-1000-6-220 | Screw(M8-1.25×40) |
| 32 | 46-1000-0-666 | Washer |
| 33 | 46-1000-0-676 | Spring Washer |
| 34 | 46-1000-0-016 | Nut |
| 35 | 46-1001-0-057 | Elbow Connector (φ 4-1/8) |
| 36 | 46-1001-4-402 | Rod End |
| 37 | 46-1000-9-970 | Screw(M6-1×20) |
| 38 | 48-1125-5-717 | Spacer |
| 39 | 48-1125-5-716 | Moving Lever |
| 40 | 48-1125-5-435 | Adjusting Block |

| Det. No | Parts. No | Description |
|---------|---------------|--|
| 41 | 46-1000-9-746 | Screw(M4-0.7×8) |
| 42 | 48-1125-5-722 | Center Knife Holder |
| 43 | 48-1125-5-721 | Center Knife |
| 44 | 46-1000-0-014 | Washer |
| 45 | 48-1011-0-002 | Screw(M3-0.5×5) |
| 46-1 | 46-1001-4-426 | Throat Plate(10mm) |
| 46-2 | 46-1001-4-427 | " (12mm) |
| 46-3 | 46-1001-4-489 | " (14mm) |
| 46-4 | 46-1001-5-254 | " (16mm) |
| 46-5 | 46-1001-5-255 | " (18mm) |
| 46-6 | 46-1001-5-256 | " (20mm) |
| 47 | 46-1000-9-127 | Screw(11/64-40×8) |
| 48 | 46-1000-9-142 | Screw(9/64-40×4.8) |
| 49 | 48-1125-5-594 | Lower Knife |
| 50 | 46-1000-1-613 | Screw(3/32-56×3.1) |
| 51-1 | 46-1001-4-505 | Fixed Knife(Right) (10, 14, 16, 18, 20mm) |
| 51-2 | 46-1001-4-507 | " (12mm) |
| 52-1 | 46-1001-4-506 | Fixed Knife(Left) (10, 14, 16, 18, 20mm) |
| 52-2 | 46-1001-4-508 | " (12mm) |
| 53 | 46-1000-4-404 | Screw(3/32-56×5.1) |
| 54 | 48-1125-5-433 | Cylinder Support |
| 55 | 46-1000-5-121 | Screw(11/64-40×28) |
| 56 | 46-1000-0-538 | Washer |
| 57 | 48-1125-5-434 | Spacer |
| 58 | 46-1001-4-501 | Support Plate |
| 59 | 46-1000-7-678 | Screw(1/4-40×8) |
| 60 | 46-1125-5-166 | Knife Holder |
| 61 | 46-1000-6-198 | Screw(1/4-40×7.5) |
| 62 | 46-1000-0-419 | Nut |
| 63-1 | 46-1001-4-503 | Movable Knife(10mm) |
| 63-2 | 46-1001-4-504 | " (12mm) |
| 63-3 | 46-1001-5-201 | " (14mm) |
| 63-4 | 46-1001-5-299 | " (16mm) |
| 63-5 | 46-1001-5-300 | " (18mm) |
| 63-6 | 46-1001-5-301 | " (20mm) |
| 64 | 46-1000-4-358 | Screw(9/64-40×5.6) |
| 65 | 46-1001-0-283 | Y-Knuckle(3mm) |
| 66 | 46-1001-4-502 | Collar |
| 67 | 46-1016-0-001 | Screw(M4-0.7×4) |
| 68 | 46-1001-0-242 | Cylinder(MS10-PD10) |
| 69 | 46-1001-4-510 | Cylinder Support |
| 70 | 46-1000-9-200 | Screw(15/64-28×9.5) |
| 71 * | 46-1001-0-260 | Air Tubing(4×2.5mm) |
| 72 | 46-1001-4-579 | Shaft Cover(Rubber) |

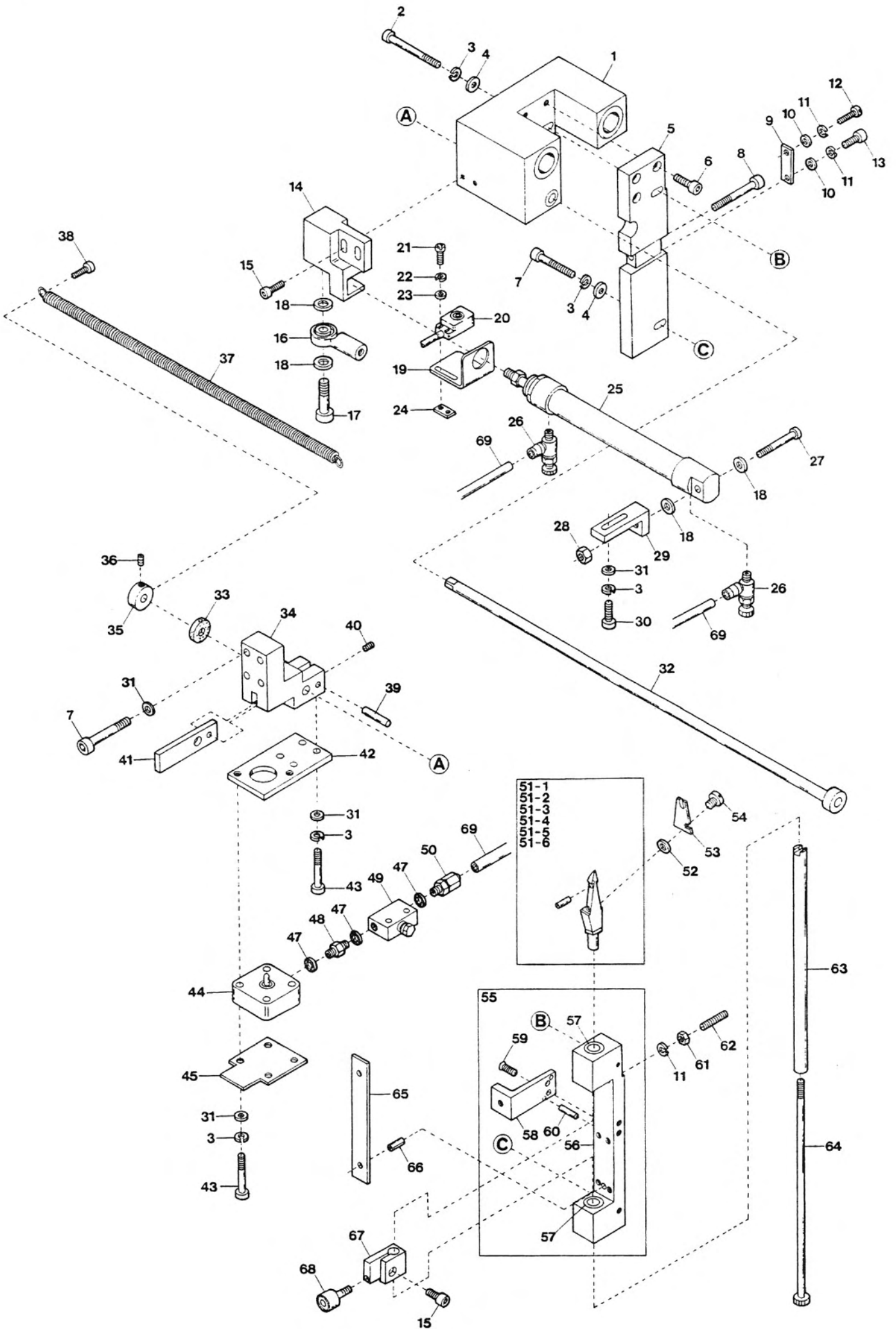
* Specify Length.



| Det. No | Parts. No | Description |
|---------|---------------|----------------------------------|
| 1 | 48-1125-5-421 | Slide Shaft |
| 2 | 48-1125-5-420 | Shaft Holder(Front) |
| 3 | 46-1000-9-740 | Screw(M6-1×10) |
| 4 | 46-1000-9-936 | Screw(M8-1.25×20) |
| 5 | 46-1000-6-176 | Screw(M6-1×50) |
| 6 | 46-1001-4-129 | Plate |
| 7 | 46-1000-0-665 | Washer |
| 8 | 46-1000-0-644 | Spring Washer |
| 9 | 46-1000-9-747 | Screw(M4-0.7×10) |
| 10 | 46-1000-9-754 | Screw(M6-1×35) |
| 11 | 46-1000-0-667 | Spring Washer |
| 12 | 46-1000-0-663 | Washer |
| 13 | 46-1001-4-711 | Cylinder Holder |
| 14 | 46-1000-9-940 | Screw(M8-1.25×35) |
| 15 | 46-1000-0-676 | Spring Washer |
| 16 | 46-1000-0-666 | Washer |
| 17 | 46-1001-4-899 | Guide Bushing |
| 18 | 46-1001-4-709 | Nut |
| 19 | 48-1109-1-020 | Cylinder(REMD25×75) |
| 20 | 48-1106-6-012 | Sensing Switch |
| 21 | 46-1001-0-300 | Band |
| 22 | 46-1001-0-254 | Speed Control |
| 23-1 | 46-1001-5-216 | Tab Finger(10mm) |
| 23-2 | 46-1001-5-217 | " (12mm) |
| 23-3 | 46-1001-5-218 | " (14mm) |
| 23-4 | 46-1001-5-466 | " (16mm) |
| 23-5 | 46-1001-5-468 | " (18mm) |
| 23-6 | 46-1001-5-470 | " (20mm) |
| 24 | 46-1000-0-209 | Washer |
| 25 | 46-1001-5-487 | Tab Knife |
| 26 | 46-1000-9-797 | Screw(11/128-56×3.2) |
| 27 | 46-1001-5-237 | Tab Finger Holder (Front), C. |
| 28 | 46-1001-5-246 | Tab Finger Holder |
| 29 | 46-1001-4-707 | Bearing |
| 30 | 46-1001-4-130 | Adjusting Piece |
| 31 | 48-1000-9-781 | Screw(M3-0.5×10) |
| 32 | 48-1000-0-032 | Knock Pin |
| 33 | 46-1000-0-015 | Nut |
| 34 | 46-1000-9-737 | Screw(M4-0.7×20) |
| 35 | 46-1001-5-240 | Tab Knife Shaft |
| 36 | 46-1001-5-243 | Lock Screw |
| 37 | 46-1001-5-242 | Spacer |
| 38 | 46-1000-0-035 | Spring Pin |
| 39 | 46-1001-4-704 | Shaft Holder(Front) |
| 40 | 46-1000-9-752 | Screw(M5-0.8×15) |

| Det. No | Parts. No | Description |
|---------|---------------|----------------------|
| 41 | 46-1001-4-144 | Bearing |
| 42 | 48-1125-5-403 | Lifting Guide(Upper) |
| 43 | 46-1001-4-817 | Lifting Guide Spacer |
| 44 | 48-1125-5-404 | Lifting Guide(Lower) |
| 45 | 46-1001-4-842 | Universal Joint |
| 46 | 46-1001-5-257 | Guide Shaft |
| 47 | 46-1001-4-143 | Rubber Cushion |
| 48 | 48-1019-0-026 | Bolt(M10-1.5×87) |
| 49 | 46-1000-0-260 | Nut |
| 50 | 46-1000-0-612 | Washer |
| 51 * | 46-1001-0-260 | Air Tubing(4×2.5mm) |
| 52 | 46-1001-4-613 | Shipping Lock |
| 53 | 46-1000-9-753 | Screw(M6-1×30) |

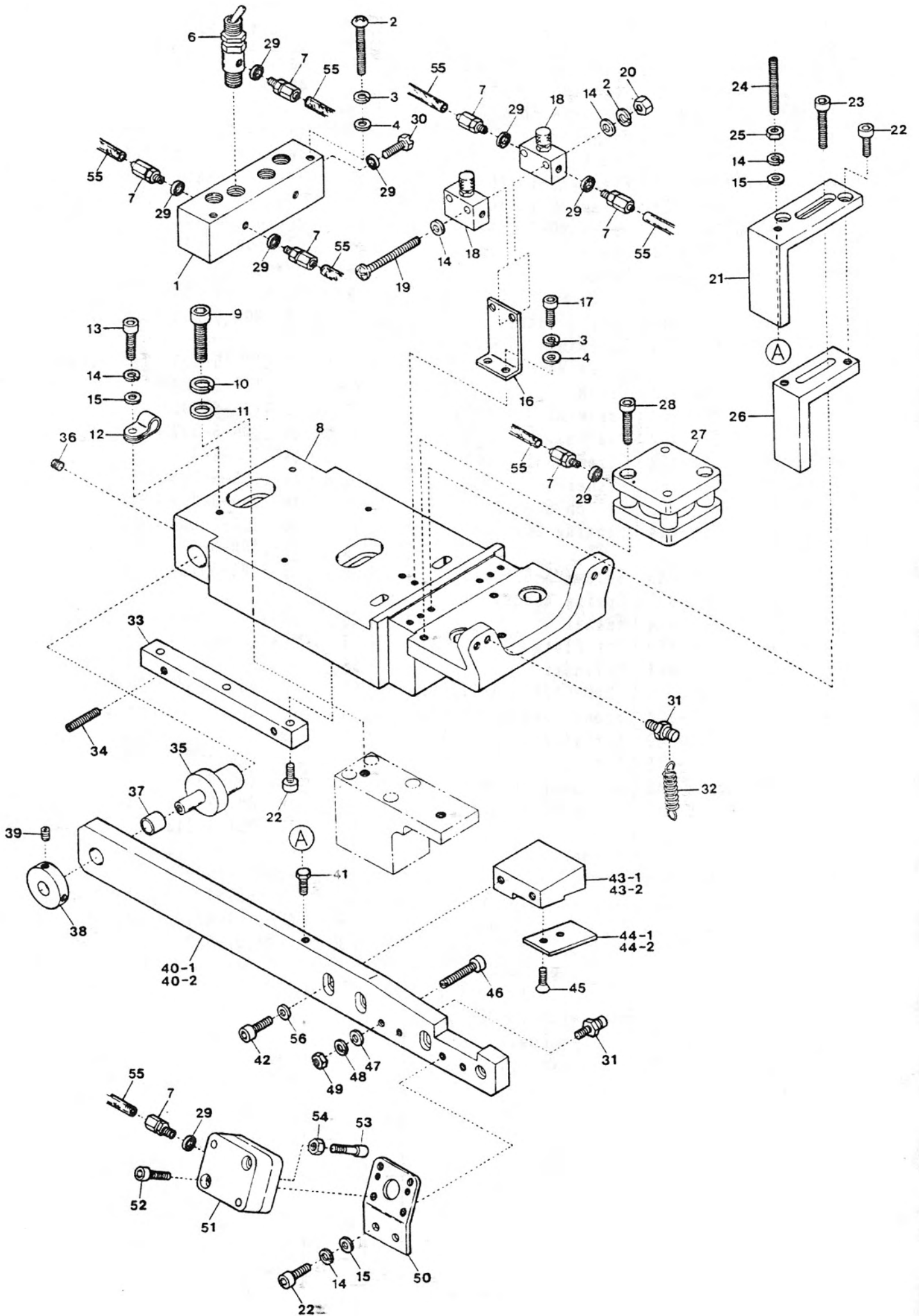
* Specify Length.



| Det. No | Parts. No | Description |
|---------|---------------|----------------------------------|
| 1 | 48-1125-5-386 | Slide Unit |
| 2 | 46-1000-6-225 | Screw(M6-1×65) |
| 3 | 46-1000-0-667 | Spring Washer |
| 4 | 46-1000-0-428 | Washer |
| 5 | 48-1125-5-388 | Block |
| 6 | 46-1000-9-970 | Screw(M6-1×20) |
| 7 | 46-1000-9-753 | Screw(M6-1×30) |
| 8 | 46-1000-6-176 | Screw(M6-1×50) |
| 9 | 46-1001-4-129 | Plate |
| 10 | 46-1000-0-665 | Washer |
| 11 | 46-1000-0-644 | Spring Washer |
| 12 | 46-1000-9-992 | Screw(M4-0.7×10) |
| 13 | 46-1000-9-974 | Screw(M4-0.7×8) |
| 14 | 48-1125-5-853 | Block |
| 15 | 46-1000-9-752 | Screw(M5-0.8×10) |
| 16 | 46-1001-4-402 | Rod End |
| 17 | 46-1000-9-972 | Screw(M8-1.25×25) |
| 18 | 46-1000-0-666 | Washer |
| 19 | 48-1125-5-579 | Switch Support |
| 20 | 48-1106-6-014 | Sensing Switch |
| 21 | 46-1000-9-745 | Screw(M3-0.5×15) |
| 22 | 46-1000-0-002 | Spring Washer |
| 23 | 46-1000-0-014 | Washer |
| 24 | 46-1001-4-780 | Nut Plate |
| 25 | 38-1109-1-041 | Cylinder (EMD-CA20-200-T1100) |
| 26 | 46-1001-0-254 | Speed Control |
| 27 | 46-1000-9-940 | Screw(M8-1.25×35) |
| 28 | 46-1000-0-016 | Nut |
| 29 | 48-1125-5-443 | Cylinder Support |
| 30 | 46-1000-9-977 | Screw(M6-1×25) |
| 31 | 46-1000-0-663 | Washer |
| 32 | 48-1125-5-409 | Shaft |
| 33 | 46-1001-4-120 | Rubber Cushion |
| 34 | 48-1125-5-849 | Cylinder Holder |
| 35 | 46-1001-4-119 | Collar |
| 36 | 46-1000-3-662 | Screw(M6-1×6) |
| 37 | 46-1001-4-108 | Clamp Shaft Spring |
| 38 | 46-1000-9-980 | Screw(M6-1×10) |
| 39 | 46-1001-4-117 | Holder Shaft |
| 40 | 46-1000-9-736 | Screw(M4-0.7×6) |

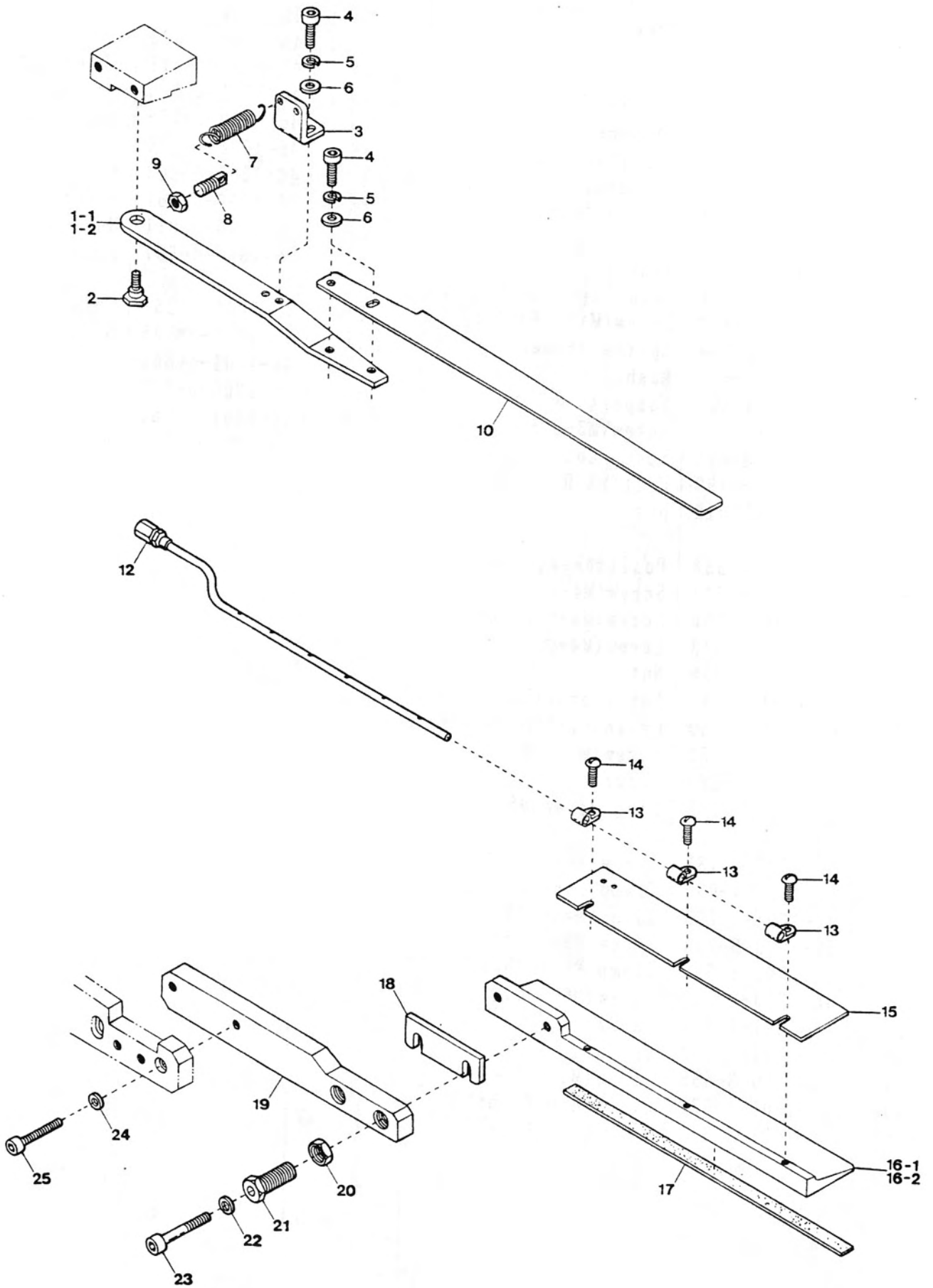
| Det. No | Parts. No | Description |
|---------|---------------|---------------------------------|
| 41 | 48-1125-5-850 | Clamp Plate |
| 42 | 46-1001-4-693 | Clamp Cylinder Support |
| 43 | 46-1000-9-976 | Screw(M6-1×45) |
| 44 | 46-1001-0-244 | Cylinder(SPS32-5) |
| 45 | 48-1125-5-851 | Metal Sensing Switch |
| 46 | 46-1000-9-964 | Screw(M6-1×40) |
| 47 | 46-1000-0-623 | Gasket |
| 48 | 46-1001-0-032 | Nipple(M5) |
| 49 | 46-1001-0-054 | Speed Control |
| 50 | 46-1001-0-258 | Connector |
| 51-1 | 48-1125-5-390 | Tab Finger(10mm) |
| 51-2 | 48-1125-5-391 | " (12mm) |
| 51-3 | 48-1125-5-392 | " (14mm) |
| 51-4 | 48-1125-5-393 | " (16mm) |
| 51-5 | 48-1125-5-394 | " (18mm) |
| 51-6 | 48-1125-5-395 | " (20mm) |
| 52 | 46-1000-0-209 | Washer |
| 53 | 46-1125-5-303 | Tab Knife |
| 54 | 46-1000-9-797 | Screw(11/128-56×3.2) |
| 55 | 46-1001-5-238 | Tab Finger Holder (Rear), C. |
| 56 | 46-1001-5-246 | Tab Finger Holder |
| 57 | 46-1001-4-707 | Bearing |
| 58 | 46-1001-4-130 | Adjusting Piece |
| 59 | 48-1000-9-781 | Screw(M3-0.5×10) |
| 60 | 48-1000-0-032 | Knock Pin |
| 61 | 46-1000-0-015 | Nut |
| 62 | 46-1000-9-737 | Screw(M4-0.7×20) |
| 63 | 46-1001-5-240 | Tab Knife Shaft |
| 64 | 46-1001-5-243 | Lock Screw |
| 65 | 46-1001-5-242 | Spacer |
| 66 | 46-1000-0-035 | Spring Pin |
| 67 | 46-1001-4-705 | Shaft Holder(Rear) |
| 68 | 46-1001-4-144 | Bearing |
| 69 * | 46-1001-0-260 | Air Tubing(4×2.5mm) |

* Specify Length.

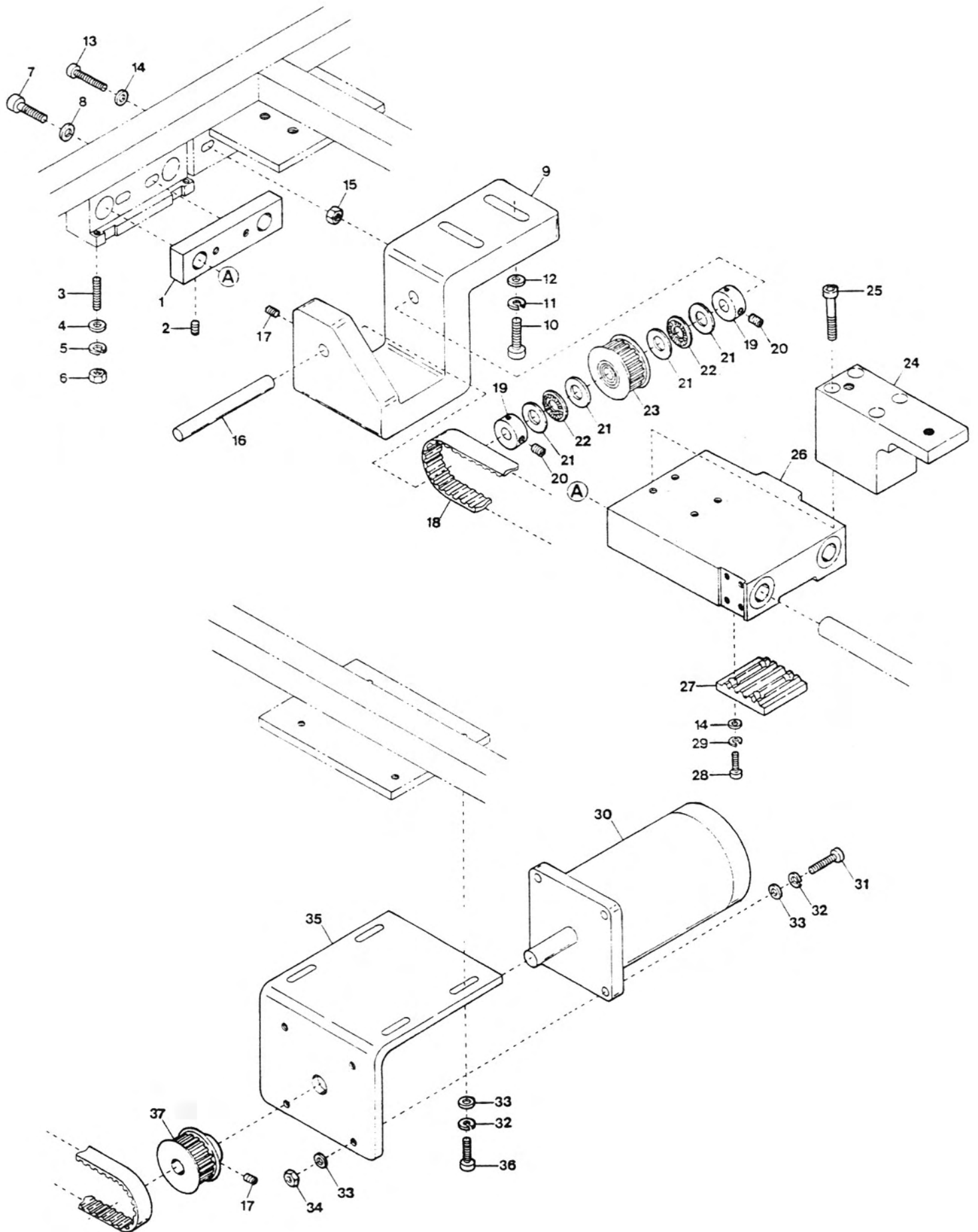


| Det. No | Parts. No | Description |
|---------|---------------|----------------------|
| 1 | 46-1001-4-625 | Manifold |
| 2 | 46-1000-6-214 | Screw(M3-0.5×40) |
| 3 | 46-1000-0-002 | Spring Washer |
| 4 | 46-1000-0-014 | Washer |
| 5 | | |
| 6 | 46-1001-0-182 | TAC Valve |
| 7 | 46-1001-0-258 | Connector |
| 8 | 46-1001-5-463 | Carriage Block |
| 9 | 46-1000-9-761 | Screw(M10-1.5×55) |
| 10 | 46-1000-0-439 | Spring Washer |
| 11 | 46-1000-0-612 | Washer |
| 12 | 46-1002-3-381 | Cord Clamp(φ10.6-6N) |
| 13 | 46-1000-9-992 | Screw(M4-0.7×10) |
| 14 | 46-1000-0-644 | Spring Washer |
| 15 | 46-1000-0-665 | Washer |
| 16 | 46-1001-4-606 | Support |
| 17 | 46-1000-9-744 | Screw(M3-0.5×10) |
| 18 | 46-1001-0-054 | Speed Control |
| 19 | 46-1000-9-793 | Bolt(M3-0.5×35) |
| 20 | 46-1000-0-012 | Nut |
| 21 | 46-1001-4-598 | Positioner(Upper) |
| 22 | 46-1000-9-747 | Screw(M4-0.7×10) |
| 23 | 46-1000-9-750 | Screw(M4-0.7×20) |
| 24 | 46-1000-6-213 | Screw(M4-0.7×30) |
| 25 | 46-1000-0-015 | Nut |
| 26 | 46-1001-4-599 | Positioner(Lower) |
| 27 | 46-1001-0-250 | Cylinder(SPD-32×20) |
| 28 | 46-1000-9-755 | Screw(M6-1×45) |
| 29 | 46-1000-0-623 | Gasket |
| 30 | 46-1011-0-067 | Plug Screw(M5-0.8×5) |
| 31 | 46-1000-6-183 | Screw(M6-1×6.5) |
| 32 | 46-1001-4-030 | Clamp Foot Spring |
| 33 | 46-1001-4-005 | Adjustment Block |
| 34 | 46-1000-9-738 | Screw(M5-0.8×30) |
| 35 | 46-1001-4-591 | Clamp Foot Shaft |
| 36 | 46-1000-9-740 | Screw(M6-1×10) |
| 37 | 46-1001-4-654 | Bushing |
| 38 | 46-1001-4-592 | Collar |
| 39 | 46-1000-3-655 | Screw(M4-0.7×10) |
| 40-1 | 46-1001-4-639 | Clamp Arm(Right) |
| 40-2 | 46-1001-4-638 | " (Left) |

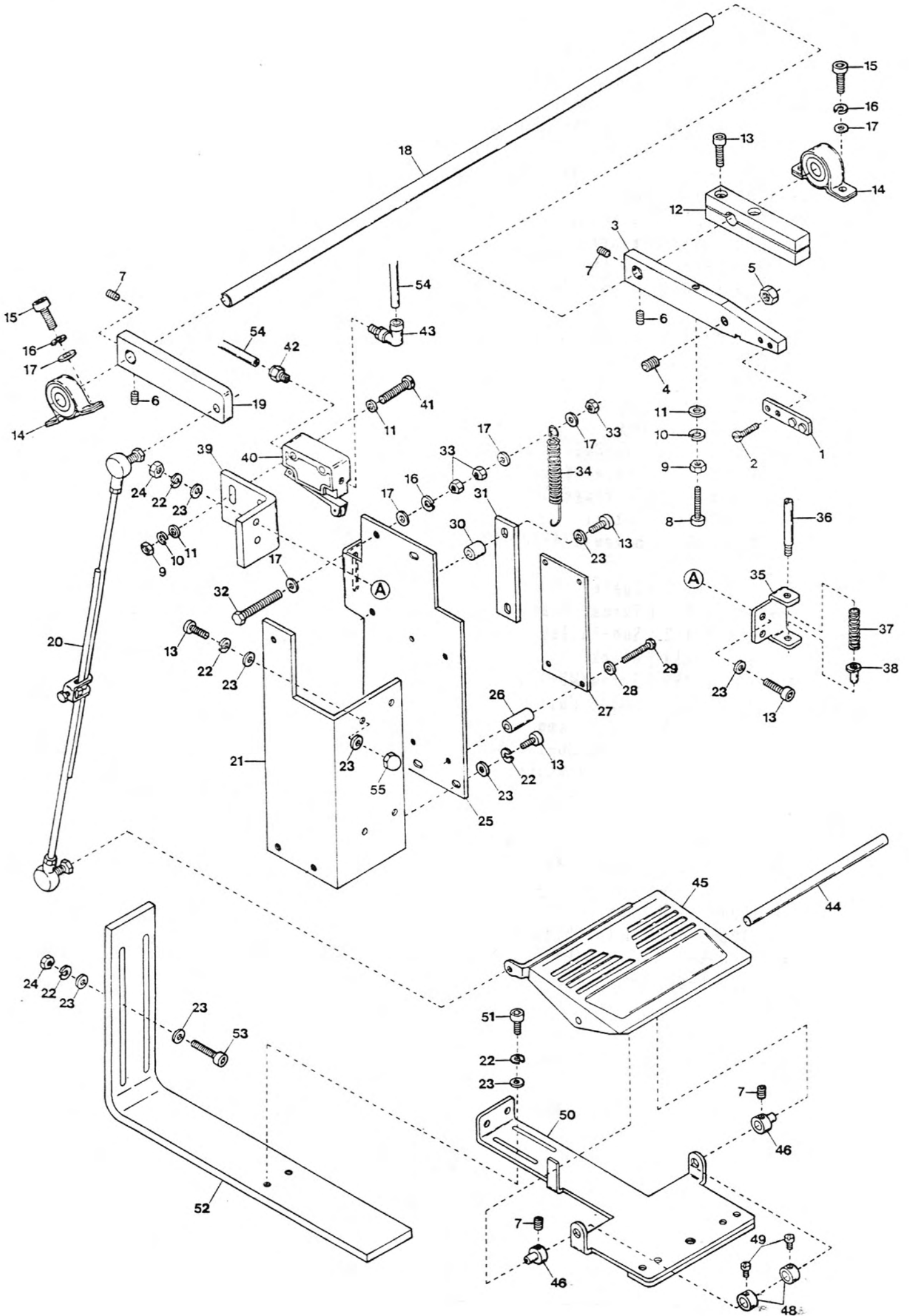
| Det. No | Parts. No | Description |
|---------|---------------|---------------------|
| 41 | 46-1000-6-215 | Screw(M4-0.7×10) |
| 42 | 46-1000-9-976 | Screw(M6-1×15) |
| 43-1 | 46-1001-4-604 | Support(Left) |
| 43-2 | 46-1001-4-603 | " (Right) |
| 44-1 | 46-1001-4-011 | Plate(Left) |
| 44-2 | 46-1001-4-010 | " (Right) |
| 45 | 46-1000-9-776 | Screw(M4-0.7×10) |
| 46 | 46-1000-6-216 | Screw(M6-1×40) |
| 47 | 46-1000-0-663 | Washer |
| 48 | 46-1000-0-667 | Spring Washer |
| 49 | 46-1000-0-011 | Nut |
| 50 | 46-1001-4-597 | Cylinder Bracket |
| 51 | 46-1001-0-251 | Cylinder(SPD-20-5) |
| 52 | 46-1000-9-935 | Screw(M5-0.8×20) |
| 53 | 46-1001-4-605 | Screw |
| 54 | 46-1000-0-009 | Nut |
| 55 * | 46-1001-0-260 | Air Tubing(4×2.5mm) |
| 56 | 46-1000-0-399 | Washer |
| | | * Specify Length. |



| Det. No | Parts. No | Description |
|---------|---------------|-------------------------------|
| 1-1 | 46-1001-4-620 | Arm(Left) |
| 1-2 | 46-1001-4-621 | " (Right) |
| 2 | 46-1000-6-188 | Screw(M6-1×8) |
| 3 | 46-1125-5-004 | Bracket |
| 4 | 46-1000-9-746 | Screw(M4-0.7×8) |
| 5 | 46-1000-0-644 | Spring Washer |
| 6 | 46-1000-0-665 | Washer |
| 7 | 46-1001-4-653 | Return Spring |
| 8 | 46-1000-6-638 | Screw(5/32-40×9.5) |
| 9 | 46-1000-0-339 | Nut |
| 10 | 46-1001-4-023 | Brush Blade |
| 11 | | |
| 12 | 46-1001-4-601 | Air Nozzle |
| 13 | 46-1001-4-647 | Clamp |
| 14 | 46-1000-6-233 | Screw(M3-0.5×5) |
| 15 | 46-1001-4-612 | Cover Plate (10, 12, 14mm) |
| 16-1 | 46-1001-4-628 | Clamp Foot(Right) |
| 16-2 | 46-1001-4-629 | " (Left) |
| 17-1 | 46-1001-4-589 | Clamp Foot Rubber (3.5mm) |
| 17-2 | 48-1125-5-960 | " (6.0mm) (Extra) |
| 17-3 | 48-1125-5-961 | " (2.0mm) (Extra) |
| 18 | — — — — — | Spacer(See Page 30) |
| 19 | 46-1001-4-618 | Connecting Arm |
| 20 | 46-1000-6-185 | Nut |
| 21 | 48-1019-0-042 | Screw(M12-1×23) |
| 22 | 46-1000-0-663 | Washer |
| 23 | 46-1000-9-755 | Screw(M6-1×45) |
| 24 | 46-1000-0-399 | Washer |
| 25 | 46-1000-9-976 | Screw(M6-1×15) |



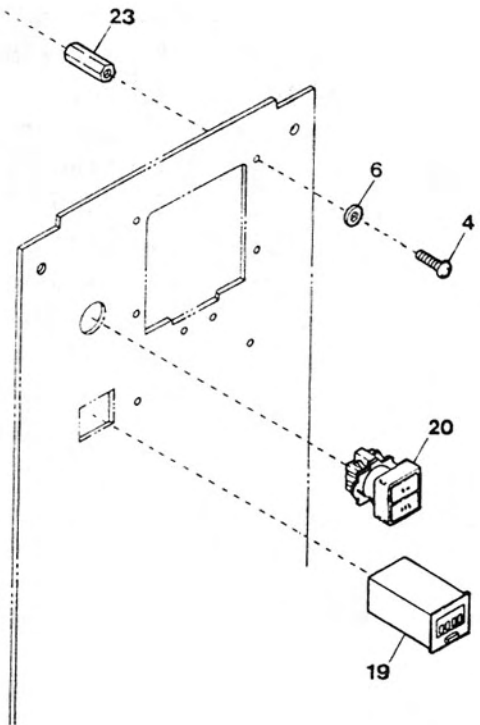
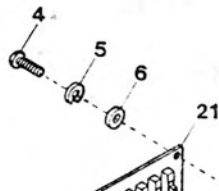
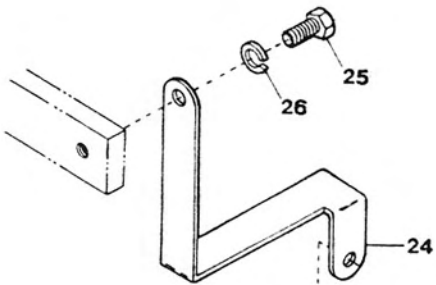
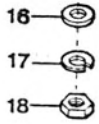
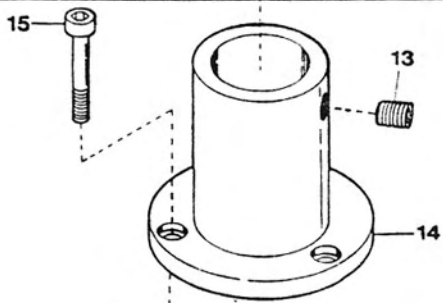
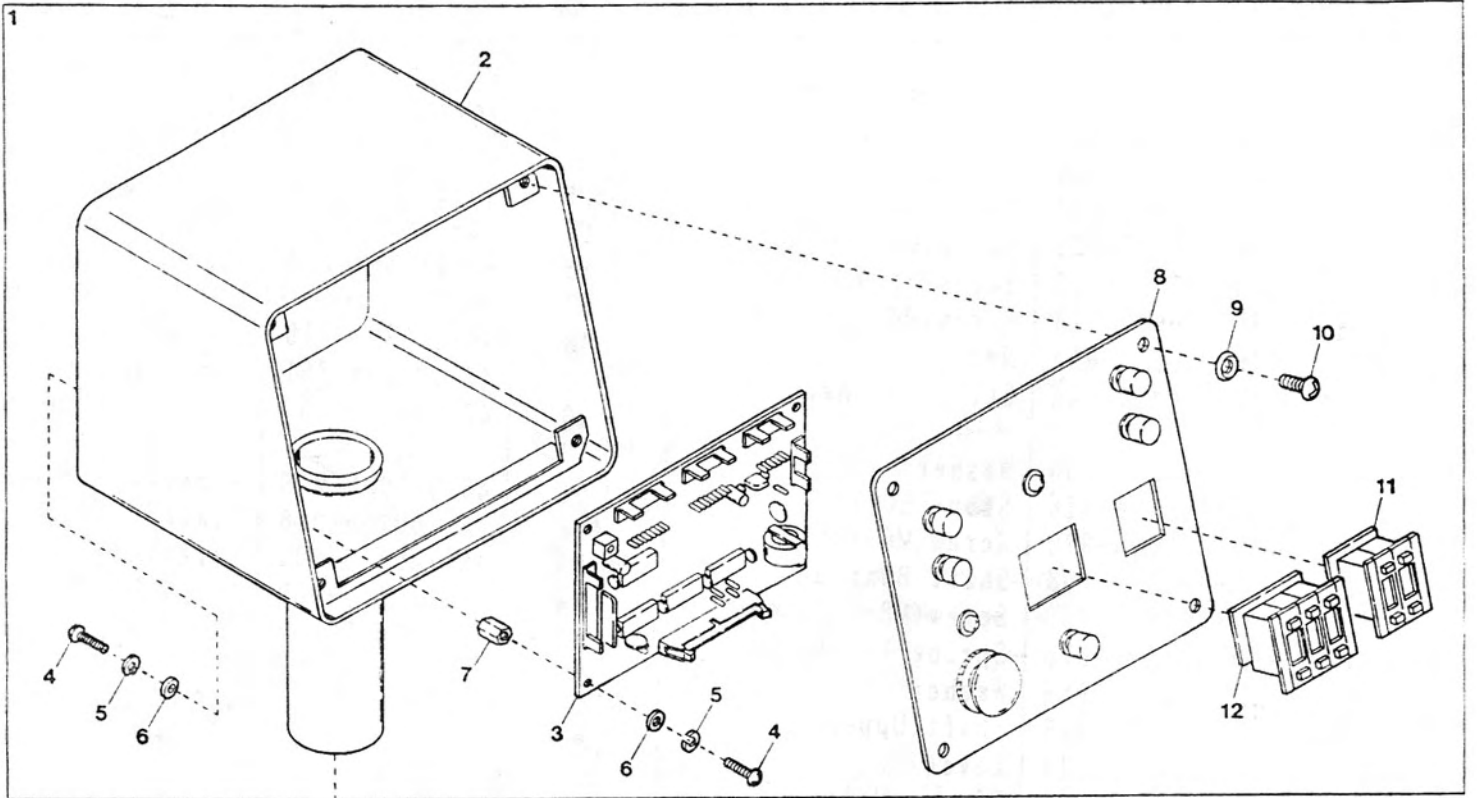
| Det. Na | Parts. Na | Description |
|---------|---------------|-------------------|
| 1 | 46-1001-4-101 | Holder |
| 2 | 46-1000-3-662 | Screw(M6-1×6) |
| 3 | 46-1000-9-738 | Screw(M5-0.8×30) |
| 4 | 46-1000-0-669 | Washer |
| 5 | 46-1000-0-600 | Spring Washer |
| 6 | 46-1000-0-009 | Nut |
| 7 | 46-1000-6-220 | Screw(M8-1.25×40) |
| 8 | 46-1000-0-429 | Washer |
| 9 | 48-1125-5-419 | Sub-Pulley Holder |
| 10 | 46-1000-9-761 | Screw(M10-1.5×55) |
| 11 | 46-1000-0-439 | Spring Washer |
| 12 | 46-1000-0-432 | Washer |
| 13 | 46-1000-9-755 | Screw(M6-1×45) |
| 14 | 46-1000-0-663 | Washer |
| 15 | 46-1000-0-011 | Nut |
| 16 | 48-1125-5-416 | Sub-Pulley Shaft |
| 17 | 46-1000-9-740 | Screw(M6-1×10) |
| 18 | 48-1125-5-412 | Carriage Belt |
| 19 | 46-1007-7-286 | Collar |
| 20 | 46-1000-3-635 | Screw(1/4-40×6) |
| 21 | 46-1001-4-572 | Spacer |
| 22 | 46-1001-4-571 | Thrust Bearing |
| 23 | 48-1125-5-413 | Sub-Pulley |
| 24 | 38-1125-6-114 | Block |
| 25 | 46-1000-9-759 | Screw(M8-1.25×55) |
| 26 | 48-1125-5-422 | Slide Unit |
| 27 | 48-1125-5-415 | Belt Clamp |
| 28 | 46-1000-9-754 | Screw(M6-1×35) |
| 29 | 46-1000-0-667 | Spring Washer |
| 30 | 48-1106-4-024 | Drive Motor |
| 31 | 46-1000-9-940 | Screw(M8-1.25×35) |
| 32 | 46-1000-0-676 | Spring Washer |
| 33 | 46-1000-0-666 | Washer |
| 34 | 46-1000-0-016 | Nut |
| 35 | 48-1125-5-410 | Motor Bracket |
| 36 | 46-1000-9-758 | Screw(M8-1.25×30) |
| 37 | 48-1125-5-411 | Main Pulley |



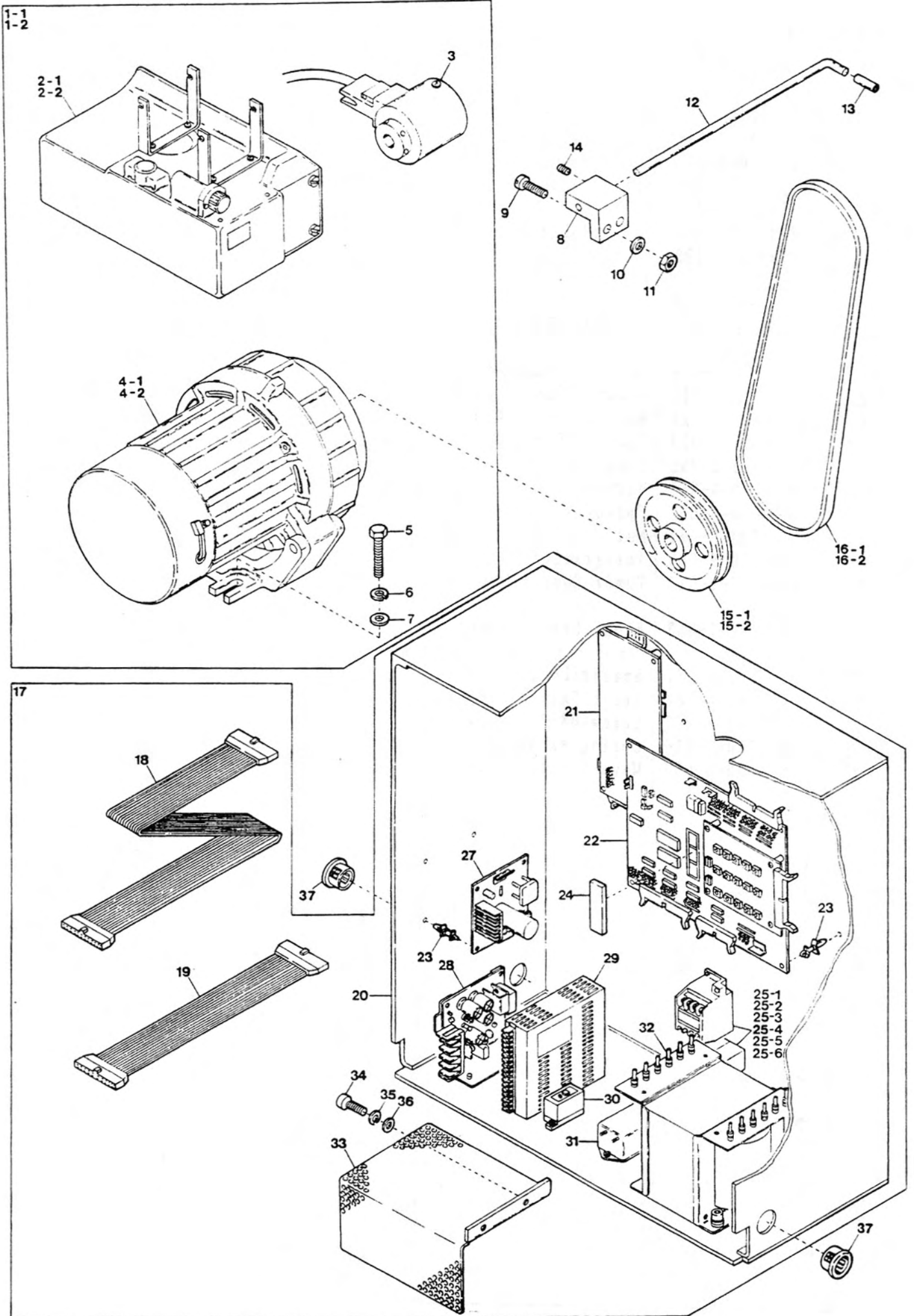
| Det. No | Parts. No | Description |
|---------|---------------|---------------------|
| 1 | 46-1001-4-767 | Magnet Unit |
| 2 | 46-1000-9-956 | Screw(M3-0.5×10) |
| 3 | 46-1001-4-763 | Magnet Holder |
| 4 | 46-1001-4-725 | Spring Plunger |
| 5 | 46-1000-0-054 | Nut |
| 6 | 46-1000-6-206 | Screw(M5-0.8×8) |
| 7 | 46-1000-6-212 | Screw(M5-0.8×6) |
| 8 | 46-1000-9-914 | Screw(M4-0.7×40) |
| 9 | 46-1000-0-015 | Nut |
| 10 | 46-1000-0-644 | Spring Washer |
| 11 | 46-1000-0-665 | Washer |
| 12 | 46-1001-4-918 | Stop(Lower) |
| 13 | 46-1000-9-970 | Screw(M6-1×20) |
| 14 | 46-1001-4-758 | Shaft Bearing |
| 15 | 46-1000-9-936 | Screw(M8-1.25×20) |
| 16 | 46-1000-0-676 | Spring Washer |
| 17 | 46-1000-0-666 | Washer |
| 18 | 46-1001-4-769 | Shaft(Upper) |
| 19 | 46-1001-4-919 | Lever |
| 20 | 46-1001-4-722 | Pitman Unit |
| 21 | 46-1001-4-921 | Angle Plate |
| 22 | 46-1000-0-667 | Spring Washer |
| 23 | 46-1000-0-663 | Washer |
| 24 | 46-1000-0-011 | Nut |
| 25 | 46-1001-4-920 | Plate |
| 26 | 46-1001-0-914 | Spacer |
| 27 | 46-1001-4-903 | Treadle Switch Unit |
| 28 | 46-1000-0-014 | Washer |
| 29 | 46-1000-9-957 | Screw(M3-0.5×16) |
| 30 | 46-1001-4-917 | Spacer |
| 31 | 46-1001-4-723 | Plate |
| 32 | 46-1000-9-978 | Screw(M8-1.25×50) |
| 33 | 46-1000-0-016 | Nut |
| 34 | 46-1001-4-757 | Spring |
| 35 | 46-1001-4-759 | Stop Spring Bracket |
| 36 | 46-1001-4-756 | Stop Pin |
| 37 | 46-1001-4-760 | Stop Spring |
| 38 | 46-1001-4-761 | Stop(Upper) |
| 39 | 48-1125-5-821 | Limit Valve Support |
| 40 | 48-1109-0-089 | Limit Valve |

| Det. No | Parts. No | Description |
|---------|---------------|-----------------------------|
| 41 | 38-1000-9-884 | Screw(M4-0.7×30) |
| 42 | 46-1001-0-055 | Connector(φ4-1/8) |
| 43 | 46-1001-0-057 | Elbow Connector (φ4-1/8) |
| 44 | 46-1125-5-130 | Shaft(Lower) |
| 45 | 38-1125-5-092 | Treadle |
| 46 | 46-1125-5-324 | Shaft Collar |
| 47 | | |
| 48 | 46-1003-2-719 | Collar |
| 49 | 46-1000-4-351 | Screw(9/64-40×7) |
| 50 | 46-1001-4-753 | Treadle Support |
| 51 | 46-1000-9-976 | Screw(M6-1×15) |
| 52 | 46-1001-5-226 | Plate |
| 53 | 46-1000-6-201 | Screw(M6-1×50) |
| 54 * | 46-1001-0-260 | Air Tubing(4×2.5mm) |
| 55 | 46-1000-0-063 | Cap Nut |

* Specify Length.

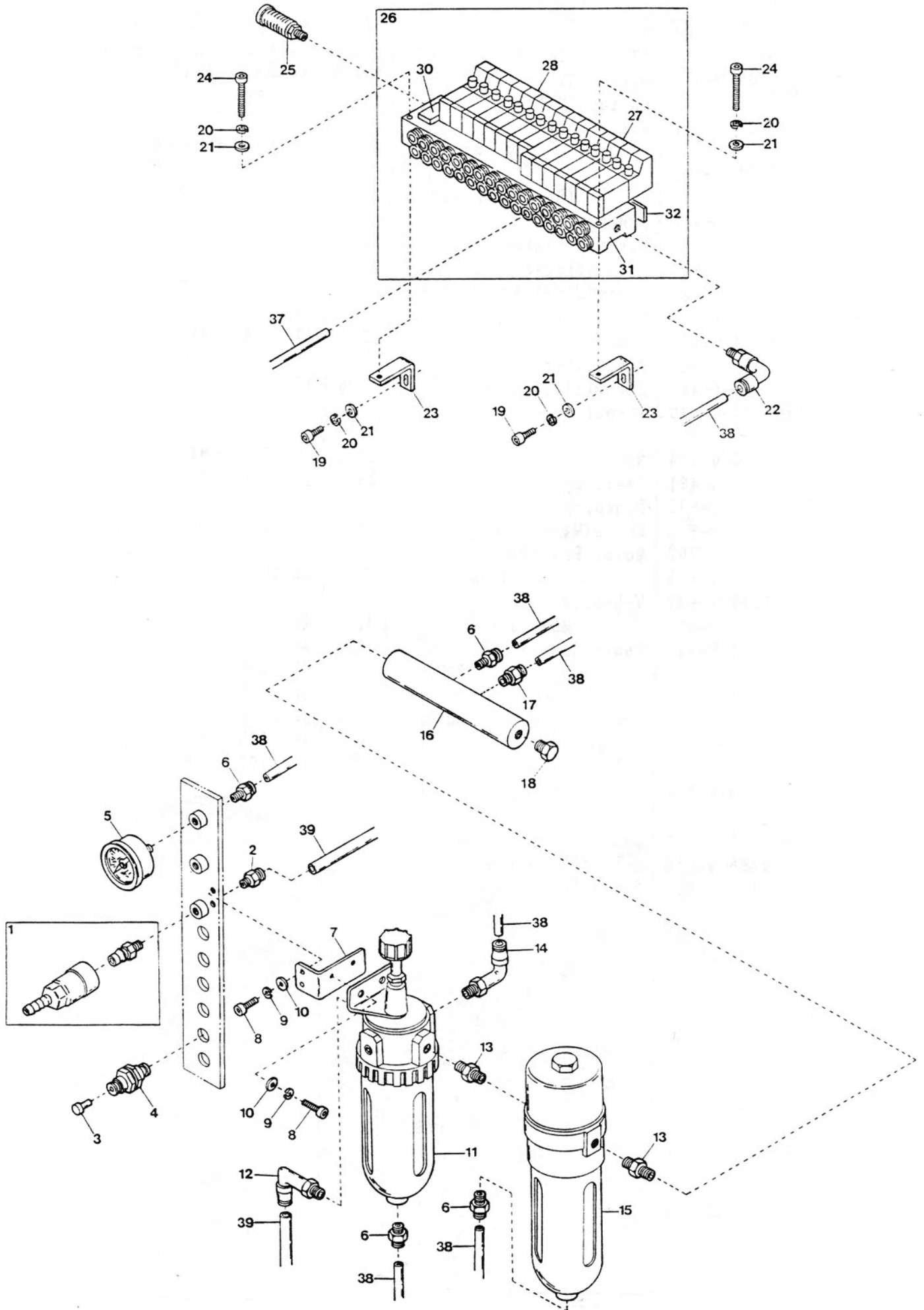


| Det. Na | Parts. Na | Description |
|---------|---------------|------------------------------|
| 1 | 38-1124-9-062 | Control Box, C. (English) |
| 2 | 38-1125-5-920 | Control Box |
| 3 | 38-1105-7-054 | Interface Board |
| 4 | 46-1000-9-994 | Screw(M3-0.5×8) |
| 5 | 46-1000-0-002 | Spring Washer |
| 6 | 46-1000-0-014 | Washer |
| 7 | 38-1107-0-058 | Spacer(Short) |
| 8 | 38-1125-6-199 | Control Panel (English) |
| 9 | 46-1000-0-670 | Washer |
| 10 | 46-1000-9-774 | Screw(M4-0.7×9.7) |
| 11 | 38-1105-7-008 | Counter(Double digit) |
| 12 | 38-1105-7-017 | Counter(Three digit) |
| 13 | 38-1016-0-020 | Screw(M10-1.5×10) |
| 14 | 38-1125-5-923 | Control Box Holder |
| 15 | 46-1000-9-755 | Screw(M6-1×45) |
| 16 | 46-1000-0-663 | Washer |
| 17 | 46-1000-0-667 | Spring Washer |
| 18 | 46-1000-0-011 | Nut |
| 19 | 38-1106-9-005 | Integrating Counter |
| 20 | 48-1106-6-011 | Power Source Switch |
| 21 | 38-1105-7-063 | Front Switch Board |
| 22 | | |
| 23 | 38-1107-0-057 | Spacer(Long) |
| 24 | 46-1001-4-564 | Start Switch Support |
| 25 | 46-1000-9-777 | Screw(M8-1.25×14) |
| 26 | 46-1000-0-676 | Spring Washer |
| 27 | 38-1106-6-067 | Manual Start Switch |

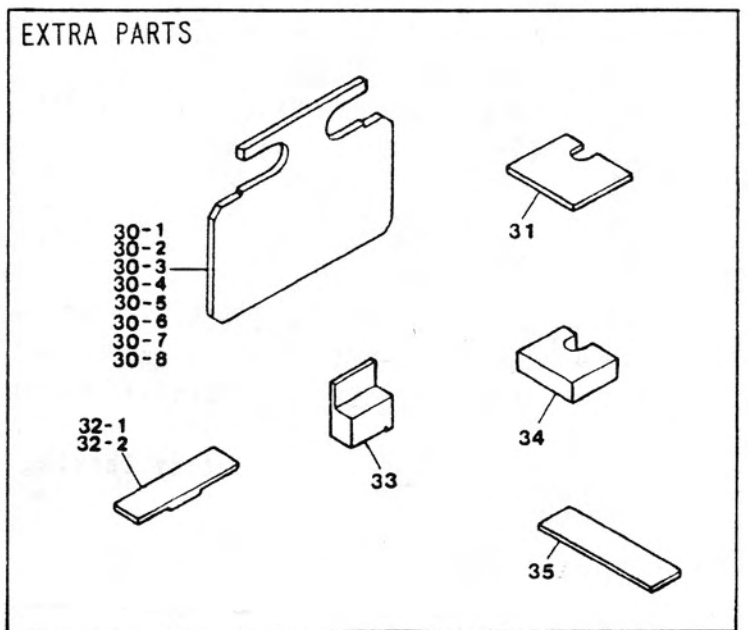
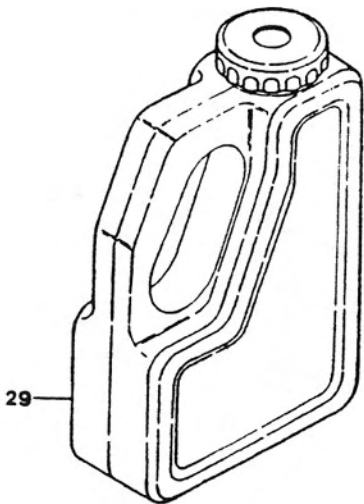
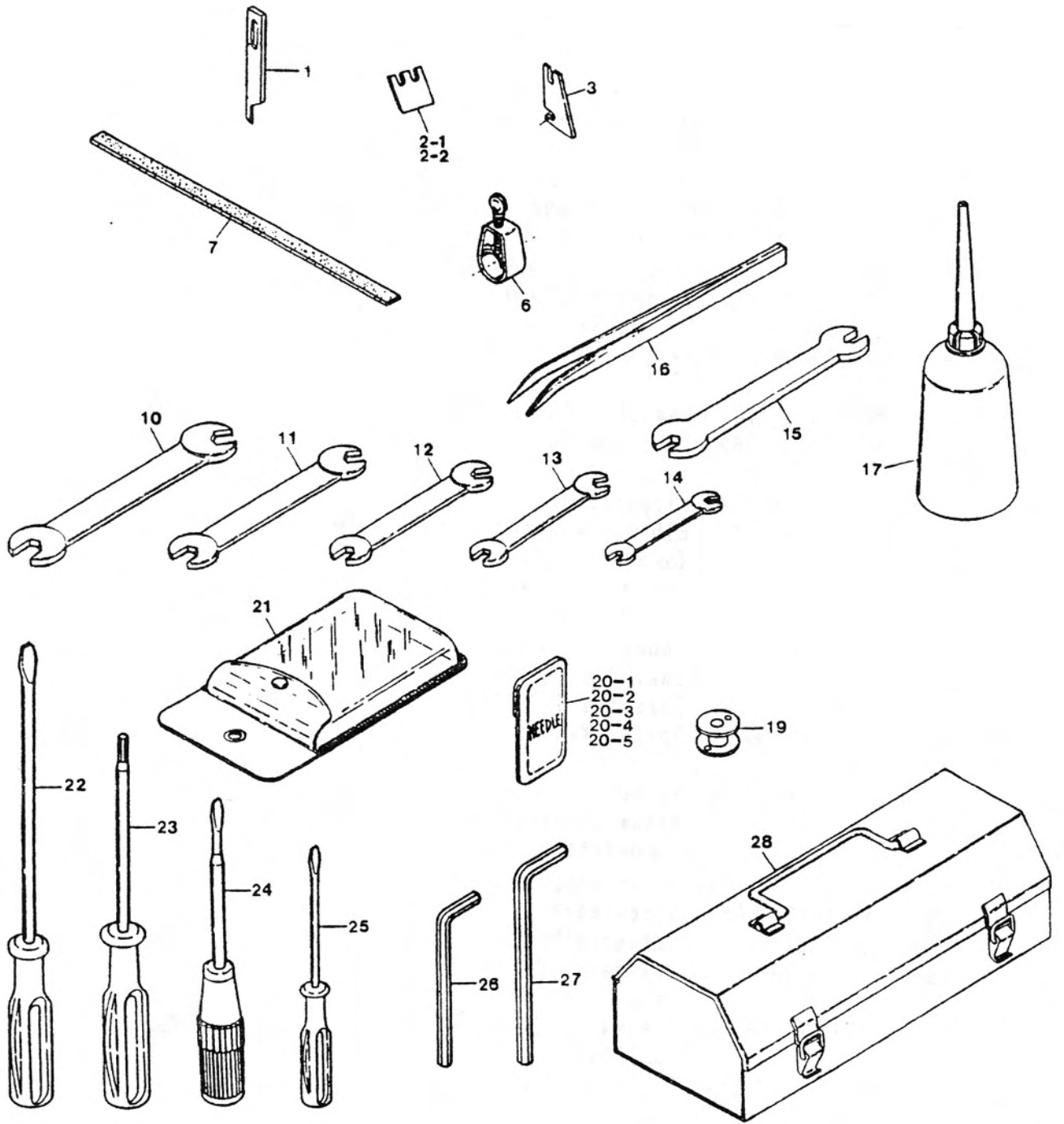


| Det. No | Parts. No | Description |
|---------|---------------|--|
| 1-1 | 46-1001-0-900 | Motor Unit(3 Phase 200, 220, 380, 440V) |
| 1-2 | 46-1001-0-978 | Motor Unit(Single Phase 220V) |
| 2-1 | 46-1001-0-957 | Motor Control (3 Phase) |
| 2-2 | 46-1001-0-977 | " (Single Phase) |
| 3 | 46-1001-0-956 | Synchronizer |
| 4-1 | 46-1001-0-955 | Motor(3 Phase) |
| 4-2 | 46-1001-0-976 | " (Single Phase) |
| 5 | 46-1000-9-928 | Screw(M10-1.5×30) |
| 6 | 46-1000-0-439 | Spring Washer |
| 7 | 46-1000-0-432 | Washer |
| 8 | 46-1001-4-418 | Pin Holder |
| 9 | 46-1000-4-445 | Screw(11/64-40×11) |
| 10 | 46-1000-0-530 | Washer |
| 11 | 46-1000-0-334 | Nut |
| 12 | 46-1001-4-421 | Positioning Pin |
| 13 | 46-1002-2-837 | Synchronizer Cushion |
| 14 | 46-1000-9-736 | Screw(M4-0.7×6) |
| 15-1 | 46-1001-4-797 | Motor Pulley(100mm) |
| 15-2 | 46-1001-4-798 | " (120mm) |
| 16-1 | 46-1001-0-987 | V-Belt(M52 inch) |
| 16-2 | 46-1001-0-988 | " (M53 inch) |
| 17-1 | 38-1124-9-049 | Power Source Box, C. (200V) |
| 17-2 | 38-1124-9-050 | " (220V) |
| 17-3 | 38-1124-9-051 | " (380V) |
| 17-4 | 38-1124-9-052 | " (440V) |
| 18 | 48-1120-0-066 | Cable(1)(50 lines) |
| 19 | 48-1120-0-082 | Cable(2)(50 lines) |
| 20 | 48-1125-5-497 | Power Source Box |

| Det. No | Parts. No | Description |
|---------|---------------|-------------------------------------|
| 21 | 38-1105-7-074 | Intermediate Board |
| 22 | 38-1105-7-051 | Control Board |
| 23 | 46-1001-0-954 | Board Support |
| 24 | 38-1105-0-055 | Single Chip Micro Computer = 086 |
| 25-1 | 46-1001-0-894 | Motor Start Relay (3 Phase 200V) |
| 25-2 | 46-1001-0-895 | " (3 Phase 220V) |
| 25-3 | 46-1001-0-896 | " (3 Phase 380V) |
| 25-4 | 46-1001-0-897 | " (3 Phase 440V) |
| 25-5 | 46-1001-0-913 | " (Single Phase 100V) |
| 25-6 | 46-1001-0-979 | " (Single Phase 220V) |
| 26 | | |
| 27 | 48-1105-7-016 | Power Board |
| 28 | 48-1106-1-000 | Voltage Regulator (5V 3A) |
| 29 | 48-1106-4-039 | Stepping Motor Drive |
| 30 | 46-1001-0-842 | Circuit Protector |
| 31 | 46-1001-0-846 | Noise Filter |
| 32 | 48-1106-0-003 | Transformer |
| 33 | 48-1125-5-498 | Transformer Cover |
| 34 | 46-1000-9-992 | Screw(M4-0.7×10) |
| 35 | 46-1000-0-644 | Spring Washer |
| 36 | 46-1000-0-665 | Washer |
| 37 | 48-1107-0-056 | Bushing |

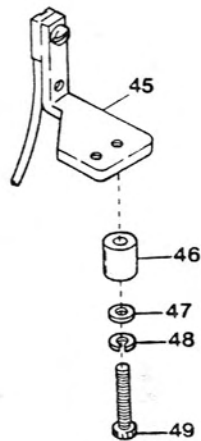
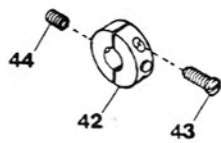
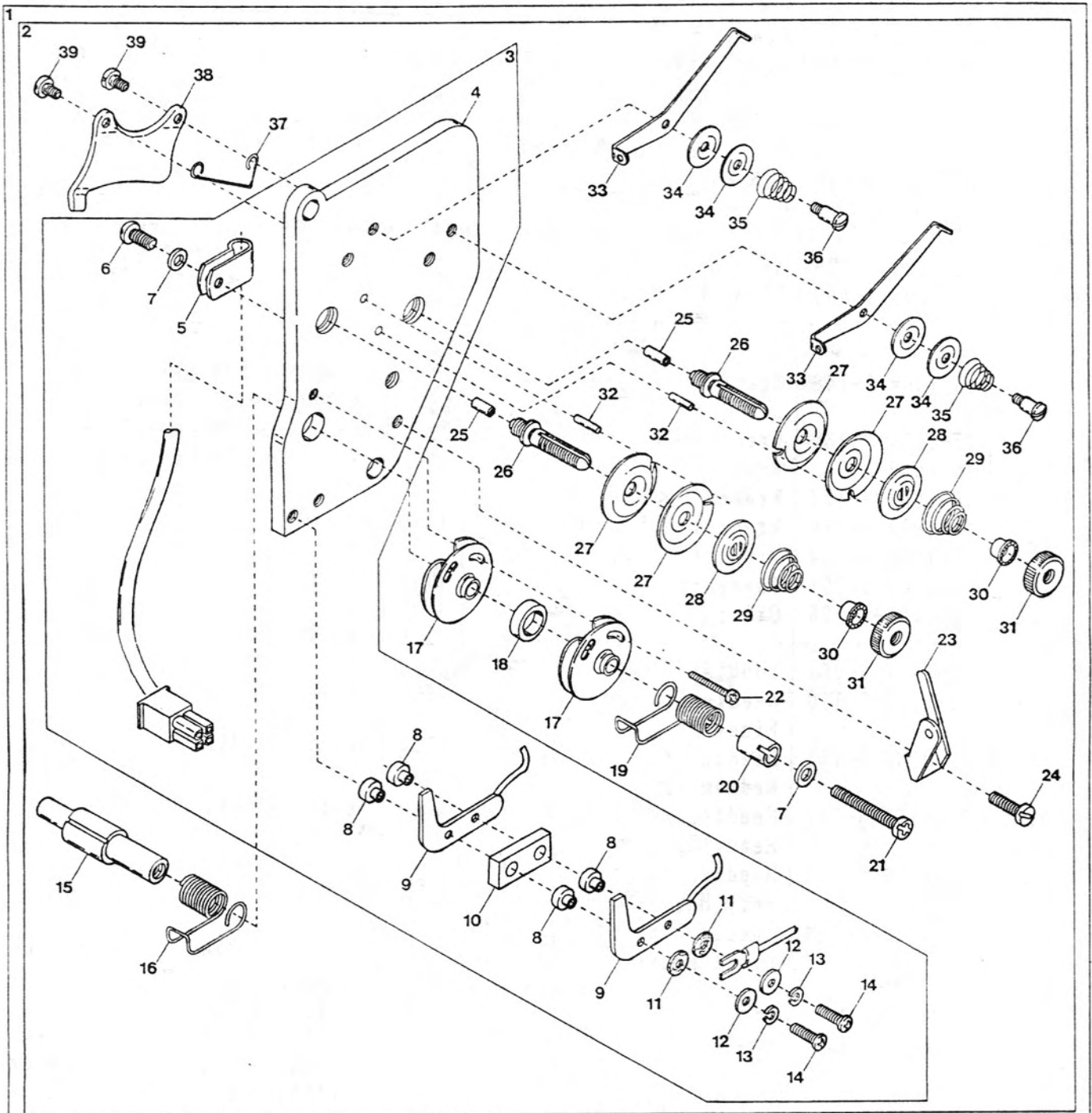


| Det. No | Parts. No | Description |
|---------|---------------|------------------------------------|
| 1 | 46-1001-0-227 | Coupler |
| 2 | 46-1001-0-265 | Connector(ϕ 8-1/4) |
| 3 | 46-1001-0-278 | Plug |
| 4 | 46-1001-0-270 | Connector(ϕ 4) |
| 5 | 46-1001-0-188 | Pressure Gauge |
| 6 | 46-1001-0-264 | Connector(ϕ 6-1/4) |
| 7 | 46-1001-4-745 | Regulator Support |
| 8 | 46-1000-9-976 | Screw(M6-1 \times 15) |
| 9 | 46-1000-0-667 | Spring Washer |
| 10 | 46-1000-0-663 | Washer |
| 11 | 46-1001-0-184 | Regulator(AW211-02B) |
| 12 | 46-1001-0-269 | Elbow Connector (ϕ 8-1/4) |
| 13 | 46-1001-0-024 | Nipple(1/4) |
| 14 | 46-1001-0-267 | Elbow Connector (ϕ 6-1/4) |
| 15 | 46-1001-0-239 | Oil Mist Separator |
| 16 | 46-1001-4-744 | Air Distributor |
| 17 | 46-1001-0-078 | Connector(ϕ 4-1/4) |
| 18 | 46-1001-0-117 | Seal Plug |
| 19 | 46-1000-9-749 | Screw(M4-0.7 \times 16) |
| 20 | 46-1000-0-644 | Spring Washer |
| 21 | 46-1000-0-665 | Washer |
| 22 | 48-1001-0-266 | Elbow Connector (ϕ 6-1/8) |
| 23 | 48-1125-5-531 | Valve Support |
| 24 | 48-1012-0-027 | Screw(M4-0.7 \times 25) |
| 25 | 46-1001-0-143 | Silencer(MF6) |
| 26 | 38-1109-0-091 | Pneumatic Valve, C. (16 Valves) |
| 27 | 48-1109-0-035 | Pneumatic Valve (5 Port) |
| 28 | 48-1109-0-042 | Pneumatic Valve (3 Port) |
| 29 | | |
| 30 | 48-1109-0-037 | Blind Cover |
| 31 | 38-1109-0-092 | Manifold(16 Valves) |
| 32 | 48-1039-0-031 | Sticker |
| 33 | | |
| 34 | | |
| 35 | | |
| 36 | | |
| 37 * | 46-1001-0-260 | Air Tubing(4 \times 2.5mm) |
| 38 * | 46-1001-0-261 | Air Tubing(6 \times 4mm) |
| 39 * | 46-1001-0-262 | Air Tubing(8 \times 6mm) |
| | | * Specify Length. |



| Det. No | Parts. No | Description |
|---------|---------------|------------------------------------|
| 1 | 48-1125-5-721 | Center Knife |
| 2-1 | 46-1001-4-244 | Trim Blade (for 10, 12, 14mm) |
| 2-2 | 46-1001-5-292 | " (for 16, 18, 20mm) |
| 3 | 46-1001-4-136 | Tab Knife |
| 4 | . | . |
| 5 | . | . |
| 6 | 48-1003-3-939 | Hose Band |
| 7 | 46-1001-4-589 | Clamp Foot Rubber |
| 8 | . | . |
| 9 | . | . |
| 10 | 46-1009-9-140 | Wrench (17×14mm) |
| 11 | 46-1009-9-139 | Wrench (13×11mm) |
| 12 | 46-1009-9-138 | Wrench (12×10mm) |
| 13 | 46-1009-9-137 | Wrench (8×7mm) |
| 14 | 46-1009-9-136 | Wrench (7×5.5mm) |
| 15 | 46-1001-5-154 | Wrench (8×9mm) |
| 16 | 46-1009-9-051 | Tweezers |
| 17 | 46-1001-5-176 | Oiler |
| 18 | . | . |
| 19 | 46-1001-5-081 | Bobbin |
| 20-1 | 02-0150-0-110 | Needle, rd. pt., Fine (0) |
| 20-2 | 02-0150-0-111 | Needle, rd. pt., Medium (1) |
| 20-3 | 02-0150-0-112 | Needle, rd. pt., Heavy (2) |
| 20-4 | 02-0150-0-113 | Needle, rd. pt., Very Heavy (3) |
| 20-5 | 02-0150-0-114 | Needle, rd. pt., Extra Heavy |

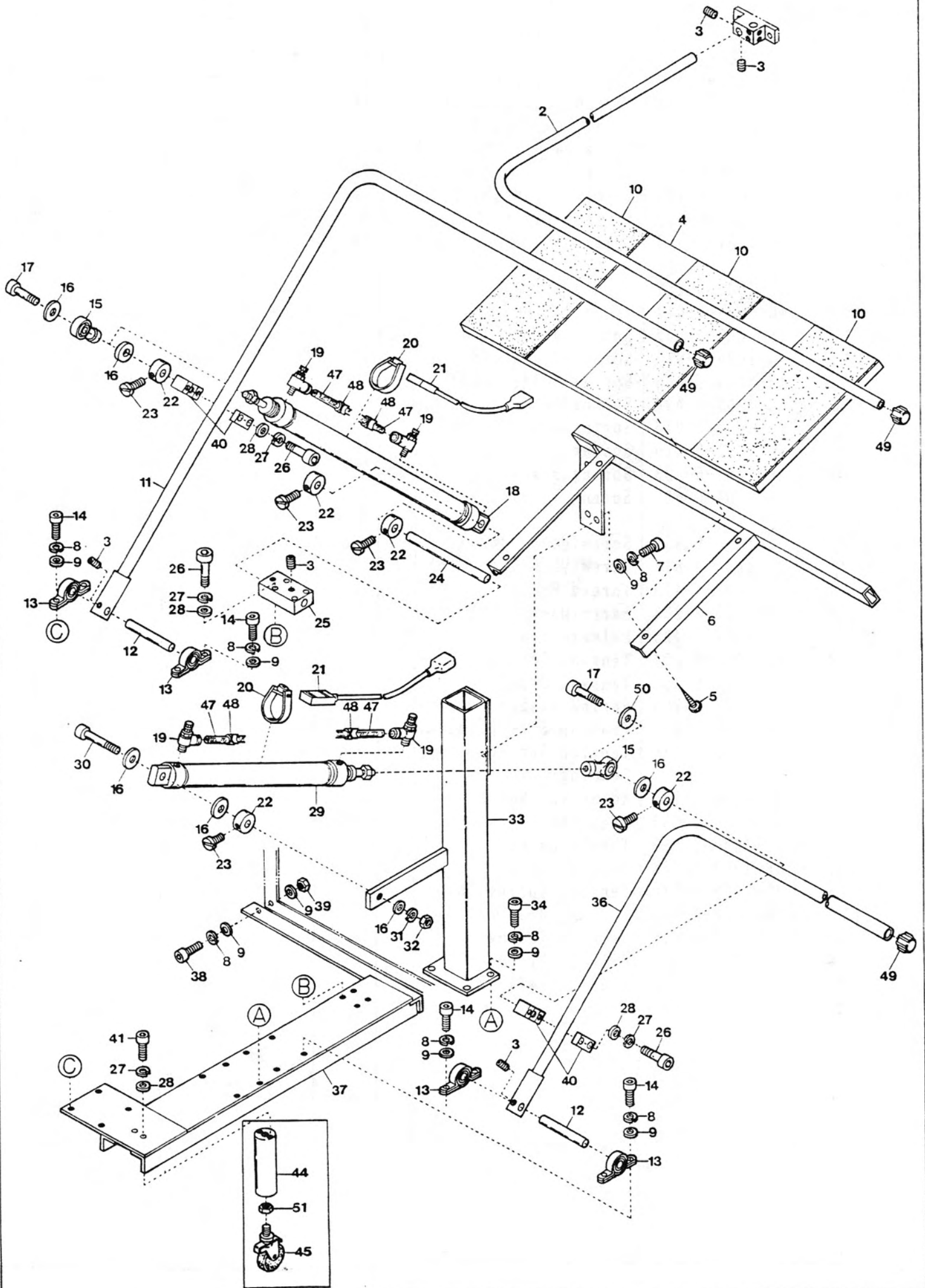
| Det. No | Parts. No | Description |
|---------|---------------|---|
| 21 | 46-1009-9-134 | Wrench (8 pcs. par set) |
| 22 | 46-1001-5-151 | Screwdriver (5.5×190mm) |
| 23 | 46-1003-7-919 | Hexagonal Screwdriver (1.58mm 1/16inch) |
| 24 | 46-1001-5-152 | Screwdriver (3.4×70mm) |
| 25 | 46-1001-5-153 | Screwdriver (1.9×52mm) |
| 26 | 46-1001-5-180 | Wrench (2mm) |
| 27 | 46-1001-5-179 | Wrench (3mm) |
| 28 | 46-1009-9-135 | Accessory Box |
| 29 | 46-1001-5-177 | Oil Tank |
| 30-1 | 46-1001-5-434 | Clamp Arm Gauge (2.0mm) |
| 30-2 | 46-1001-5-435 | " (2.5mm) |
| 30-3 | 46-1001-4-801 | " (2.75mm) |
| 30-4 | 46-1001-5-436 | " (3.0mm) |
| 30-5 | 46-1001-5-437 | " (3.5mm) |
| 30-6 | 46-1001-5-438 | " (4.0mm) |
| 30-7 | 46-1001-4-802 | " (4.5mm) |
| 30-8 | 46-1001-5-439 | " (8.0mm) |
| 31 | 46-1001-4-806 | Needle & Hook Gauge |
| 32-1 | 46-1001-4-803 | Height Gauge (0.75mm) |
| 32-2 | 46-1001-4-804 | " (0.9mm) |
| 33 | 46-1001-4-800 | Needle Height Gauge |
| 34 | 46-1001-4-805 | Needle & Hook Gauge |
| 35 | 46-1001-4-807 | Fixed Knife Positioning Gauge (2.95mm) |



| Det. No | Parts. No | Description |
|---------|---------------|------------------------------|
| 1 | 48-1125-5-626 | Thread Monitor, C. |
| 2 | 48-1125-5-578 | Thread Tension, C. (2) |
| 3 | 48-1125-5-577 | Thread Tension, C. (1) |
| 4 | 46-1001-5-414 | Thread Tension Plate |
| 5 | 46-1006-0-248 | Cord Clamp(ϕ 5.3-3N) |
| 6 | 46-1000-4-127 | Screw(M4-0.7 \times 6) |
| 7 | 46-1000-0-665 | Washer |
| 8 | 46-1001-4-979 | Insulating Bushing |
| 9 | 48-1125-6-040 | Sensing Plate |
| 10 | 46-1001-5-418 | Spacer |
| 11 | 46-1000-0-257 | Washer |
| 12 | 46-1000-0-014 | Washer |
| 13 | 46-1000-0-002 | Spring Washer |
| 14 | 46-1000-9-812 | Screw(M3-0.5 \times 20) |
| 15 | 46-1001-5-415 | Spring Guide Shaft |
| 16 | 46-1001-5-424 | Spring(Left) |
| 17 | 46-1001-5-016 | Spring Guide Assmby |
| 18 | 46-1001-5-416 | Spacer |
| 19 | 46-1001-5-423 | Spring(Right) |
| 20 | 46-1001-5-422 | Spring Sleeve |
| 21 | 46-1000-9-959 | Screw(M4-0.7 \times 20) |
| 22 | 46-1000-9-811 | Screw(M2.5-0.45 \times 16) |
| 23 | 46-1001-5-419 | Thread Eyelet |
| 24 | 46-1000-9-995 | Screw(M3-0.5 \times 5) |
| 25 | 46-1001-5-425 | Release Pin |
| 26 | 46-1000-9-804 | Tension Post |
| 27 | 46-1008-0-232 | Tension Disc |
| 28 | 46-1008-0-705 | Spring Washer |
| 29 | 46-1008-5-276 | Tension Spring(Thick) |
| 30 | 46-1002-0-126 | Tension Spring Bushing |
| 31 | 46-1000-0-182 | Adjusting Nut |
| 32 | 46-1000-0-039 | Stop Pin |
| 33 | 46-1009-3-535 | Thread Guide |
| 34 | 46-1003-7-108 | Tension Disc |
| 35 | 46-1009-3-514 | Tension Spring(Thin) |
| 36 | 46-1000-1-092 | Screw(1/8-44 \times 3) |
| 37 | 46-1001-5-015 | Release Spring |
| 38 | 46-1001-5-014 | Release Plate |
| 39 | 46-1000-8-224 | Stud Screw(3.57) |
| 40 | | |

| Det. No | Parts. No | Description |
|---------|---------------|----------------------------|
| 41 | | |
| 42 | 46-1001-5-427 | Magnet Ring Unit |
| 43 | 46-1000-7-609 | Screw(9/64-40 \times 9) |
| 44 | 46-1000-9-209 | Screw(11/64-40 \times 9) |
| 45 | 48-1120-0-073 | Position Detector Unit |
| 46 | 46-1125-5-164 | Spacer |
| 47 | 46-1000-0-538 | Washer |
| 48 | 46-1000-0-644 | Spring Washer |
| 49 | 48-1012-0-027 | Screw(M4-0.7 \times 25) |

1

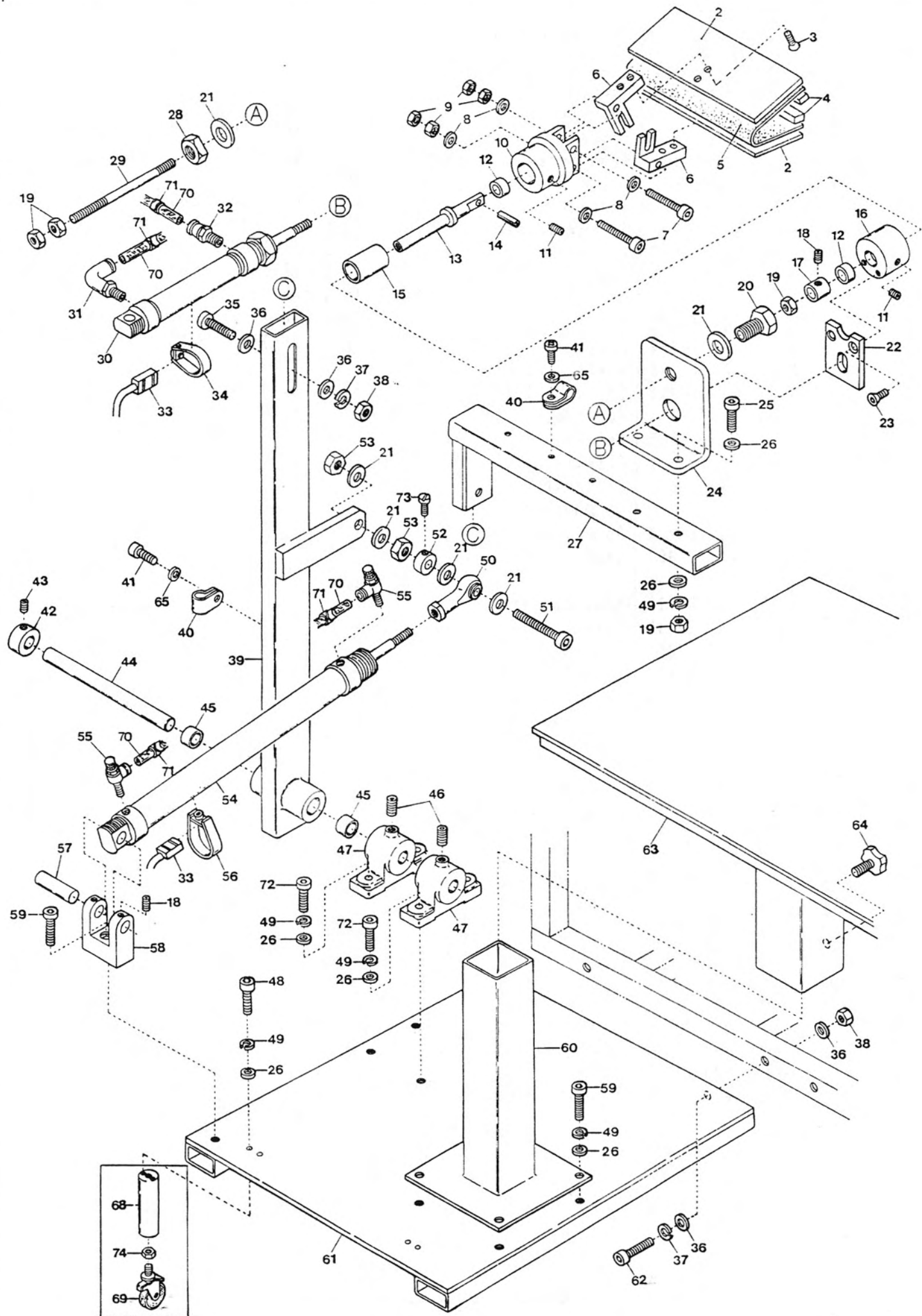


| Det. No | Parts. No | Description |
|---------|---------------|------------------------------|
| 1 | 48-1125-5-984 | Stacker, C. |
| 2 | 46-1001-4-887 | Guard |
| 3 | 46-1000-3-662 | Screw(M6-1×6) |
| 4 | 46-1001-4-885 | Table |
| 5 | 46-1000-6-905 | Wood Screw(φ5.1×20) |
| 6 | 46-1001-4-889 | Table Holder |
| 7 | 46-1000-9-936 | Screw(M8-1.25×20) |
| 8 | 46-1000-0-676 | Spring Washer |
| 9 | 46-1000-0-666 | Washer |
| 10 | 46-1125-5-703 | Rubber |
| 11 | 46-1001-4-946 | Arm |
| 12 | 46-1001-4-884 | Shaft |
| 13 | 46-1001-4-758 | Shaft Bearing |
| 14 | 46-1000-9-936 | Screw(M8-1.25×20) |
| 15 | 46-1001-4-401 | Rod End |
| 16 | 46-1000-0-432 | Washer |
| 17 | 46-1000-9-760 | Screw(M10-1.5×35) |
| 18 | 46-1109-1-077 | Cylinder (REMD-SD-32×250) |
| 19 | 46-1001-0-254 | Speed Control |
| 20 | 46-1109-8-007 | Band |
| 21 | 48-1106-6-013 | Sensing Switch |
| 22 | 46-1003-2-719 | Collar |
| 23 | 46-1000-4-351 | Screw(9/64-40×7) |
| 24 | 46-1001-4-883 | Cylinder Shaft |
| 25 | 46-1001-4-881 | Shaft Holder |
| 26 | 46-1000-9-753 | Screw(M6-1×30) |
| 27 | 46-1000-0-667 | Spring Washer |
| 28 | 46-1000-0-663 | Washer |
| 29 | 46-1109-1-078 | Cylinder (REMD-SD-32×100) |
| 30 | 46-1000-9-761 | Screw(M10-1.5×55) |
| 31 | 46-1000-0-439 | Spring Washer |
| 32 | 46-1000-0-260 | Nut |
| 33 | 46-1001-4-891 | Stacker Support |
| 34 | 46-1000-9-758 | Screw(M8-1.25×30) |
| 35 | | |
| 36 | 46-1001-4-944 | Cloth Arm |
| 37 | 46-1001-4-890 | Stacker Base |
| 38 | 46-1000-9-759 | Screw(M8-1.25×55) |
| 39 | 46-1000-0-016 | Nut |
| 40 | 46-1001-4-942 | Cylinder Holder |

| Det. No | Parts. No | Description |
|---------|---------------|---------------------|
| 41 | 46-1000-9-970 | Screw(M6-1×20) |
| 42 | | |
| 43 | | |
| 44 | 46-1001-4-734 | Holder(97mm) |
| 45 | 46-1001-5-235 | Caster |
| 46 | | |
| 47 * | 46-1001-0-260 | Air Tubing(4×2.5mm) |
| 48-1 | 46-1001-1-095 | Marker(1) |
| 48-2 | 46-1001-1-096 | " (2) |
| 48-3 | 46-1001-1-097 | " (3) |
| 48-4 | 46-1001-1-098 | " (4) |
| 49 | 46-1001-4-580 | Pipe Cap |
| 50 | 46-1000-0-425 | Washer |
| 51 | 46-1000-0-421 | Nut |

* Specify Length.

1

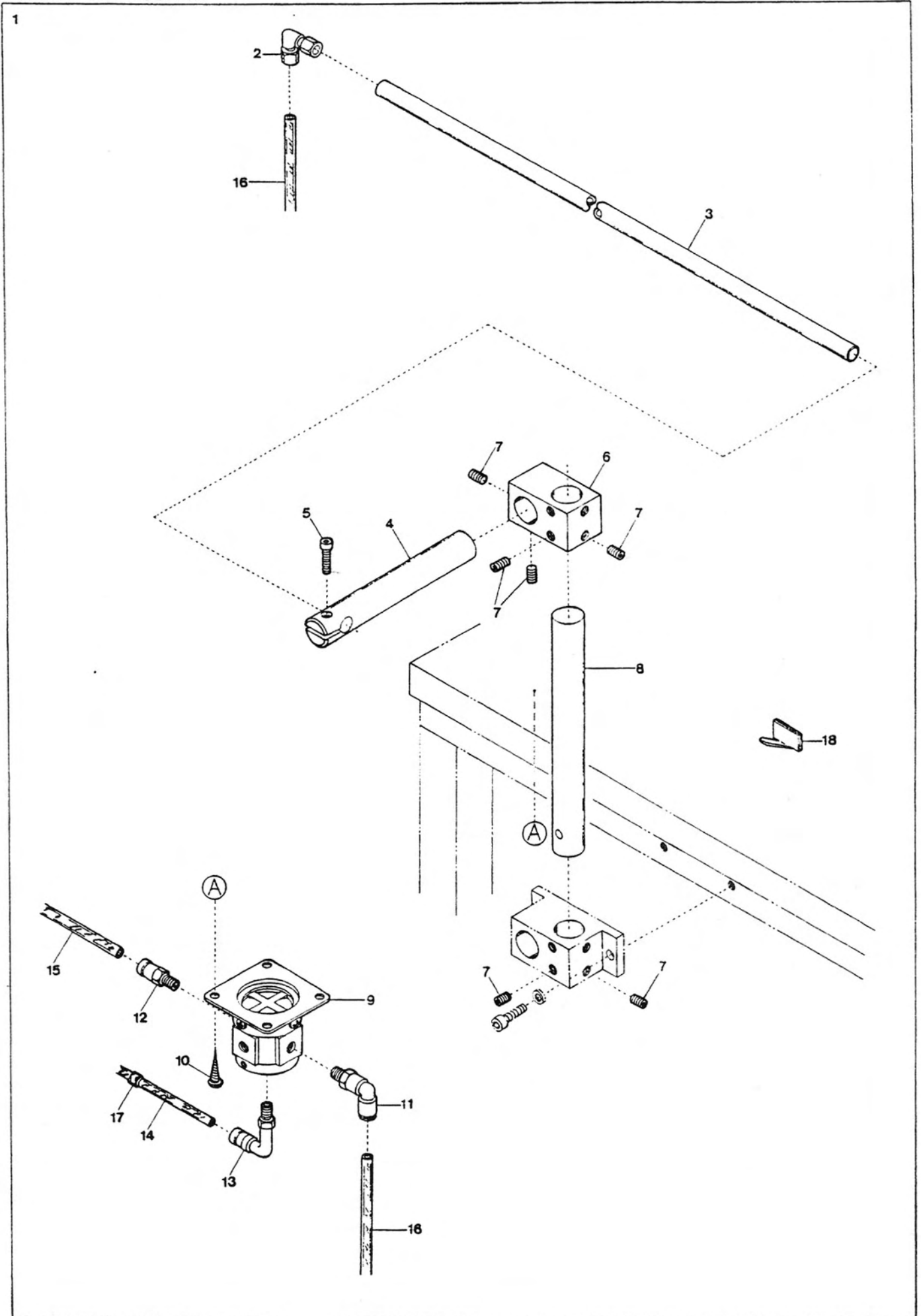


| Det. No | Parts. No | Description |
|---------|---------------|-----------------------------|
| 1 | 48-1125-5-898 | Work Remover, C. |
| 2 | 46-1001-4-858 | Cloth Clamp Plate |
| 3 | 46-1000-9-776 | Screw(M4-0.7×10) |
| 4 | 46-1001-4-928 | Rubber |
| 5 | 46-1001-4-929 | Clamp Plate Rubber |
| 6 | 46-1001-4-856 | Clamp Plate Bracket |
| 7 | 46-1000-9-800 | Screw(M3-0.5×30) |
| 8 | 46-1000-0-014 | Washer |
| 9 | 46-1000-0-012 | Nut |
| 10 | 46-1001-4-874 | Shaft Holder(Front) |
| 11 | 46-1000-3-662 | Screw(M6-1×6) |
| 12 | 46-1001-4-867 | Bushing |
| 13 | 46-1001-4-863 | Shaft |
| 14 | 46-1000-0-037 | Pin |
| 15 | 46-1001-4-866 | Bushing |
| 16 | 46-1001-4-865 | Shaft Holder(Rear) |
| 17 | 46-1001-4-869 | Collar |
| 18 | 46-1016-0-001 | Screw(M4-0.7×4) |
| 19 | 46-1000-0-011 | Nut |
| 20 | 46-1000-6-199 | Screw(M10-1.5×20) |
| 21 | 46-1000-0-432 | Washer |
| 22 | 46-1001-4-870 | Cylinder Guide Plate |
| 23 | 46-1000-9-775 | Screw(M3-0.5×10) |
| 24 | 46-1001-4-864 | Cylinder Support |
| 25 | 46-1000-9-754 | Screw(M6-1×35) |
| 26 | 46-1000-0-663 | Washer |
| 27 | 46-1001-4-876 | Arm(Upper) |
| 28 | 46-1000-0-054 | Nut |
| 29 | 46-1001-4-868 | Connecting Shaft |
| 30 | 46-1001-0-296 | Cylinder (REMD-SD-20×70) |
| 31 | 46-1001-0-057 | Elbow Connector (φ4-1/8) |
| 32 | 46-1001-0-055 | Connector(φ4-1/8) |
| 33 | 48-1106-6-013 | Sensing Switch |
| 34 | 46-1001-0-301 | Band |
| 35 | 46-1000-9-758 | Screw(M8-1.25×30) |
| 36 | 46-1000-0-666 | Washer |
| 37 | 46-1000-0-676 | Spring Washer |
| 38 | 46-1000-0-016 | Nut |
| 39 | 46-1001-4-877 | Arm(Lower) |
| 40 | 46-1003-6-133 | Cord Clamp(φ8.4-5N) |

| Det. No | Parts. No | Description |
|---------|---------------|------------------------------|
| 41 | 46-1000-9-974 | Screw(M4-0.7×10) |
| 42 | 46-1001-4-356 | Collar |
| 43 | 46-1000-6-212 | Screw(M5-0.8×6) |
| 44 | 46-1001-4-871 | Shaft |
| 45 | 46-1001-4-654 | Bushing |
| 46 | 46-1000-3-655 | Screw(M4-0.7×10) |
| 47 | 46-1001-4-861 | Shaft Bearing |
| 48 | 46-1000-9-970 | Screw(M6-1×20) |
| 49 | 46-1000-0-667 | Spring Washer |
| 50 | 46-1001-4-401 | Rod End |
| 51 | 46-1000-9-761 | Screw(M10-1.5×55) |
| 52 | 46-1003-2-719 | Collar |
| 53 | 46-1000-0-260 | Nut |
| 54 | 46-1109-1-079 | Cylinder (REMD-SD-32×150) |
| 55 | 46-1001-0-254 | Speed Control |
| 56 | 46-1109-8-007 | Band |
| 57 | 46-1001-4-872 | Cylinder Pin |
| 58 | 46-1001-4-850 | Cylinder Holder |
| 59 | 46-1000-9-976 | Screw(M6-1×15) |
| 60 | 46-1001-4-873 | Table Support |
| 61 | 46-1001-4-878 | Remover Base |
| 62 | 46-1000-9-759 | Screw(M8-1.25×55) |
| 63 | 46-1001-4-875 | Table |
| 64 | 46-1001-4-914 | Knob |
| 65 | 46-1000-0-665 | Washer |
| 66 | | |
| 67 | | |
| 68 | 46-1001-4-734 | Holder(97mm) |
| 69 | 46-1001-5-235 | Caster |
| 70 * | 46-1001-0-260 | Air Tubing(4×2.5mm) |
| 71-1 | 46-1001-1-095 | Marker(1) |
| 71-2 | 46-1001-1-096 | " (2) |
| 71-3 | 46-1001-1-097 | " (3) |
| 71-4 | 46-1001-1-098 | " (4) |
| 72 | 46-1000-9-977 | Screw(M6-1×25) |
| 73 | 46-1000-4-351 | Screw(9/64-40×7) |
| 74 | 46-1000-0-421 | Nut |

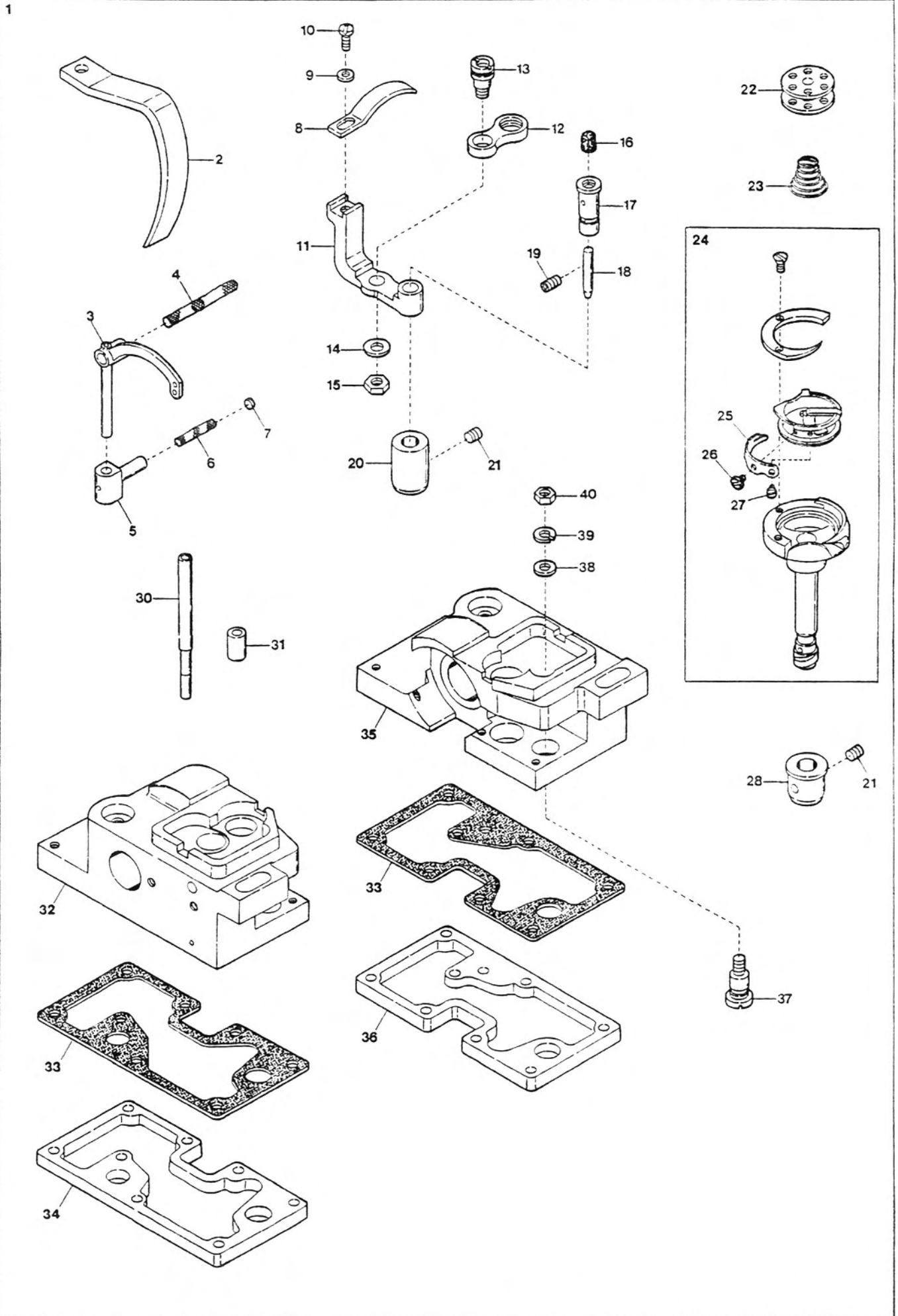
* Specify Length

TROUSER AIR EJECTOR



| Det. Na | Parts. Na | Description |
|---------|---------------|------------------------------------|
| 1 | 46-1001-4-947 | Panel Air Ejector, Complete |
| 2 | 46-1001-0-313 | Elbow Connector |
| 3 | 46-1001-4-935 | Air Nozzle |
| 4 | 46-1001-4-938 | Air Nozzle Support |
| 5 | 46-1000-9-976 | Screw(M6-1×15) |
| 6 | 46-1001-4-936 | Block |
| 7 | 46-1000-3-662 | Screw(M6-1×6) |
| 8 | 46-1001-4-937 | Positioning Shaft |
| 9 | 46-1001-0-148 | Pilot Valve |
| 10 | 46-1000-6-905 | Wood Screw(ϕ 5.1-20) |
| 11 | 46-1001-0-269 | Elbow Connector (ϕ 8-1/4) |
| 12 | 46-1001-0-264 | Connector(ϕ 6-1/4) |
| 13 | 46-1001-0-057 | Elbow Connector (ϕ 4-1/8) |
| 14 * | 46-1001-0-260 | Air Tubing(4×2.5mm) |
| 15 * | 46-1001-0-261 | Air Tubing(6×4mm) |
| 16 * | 46-1001-0-262 | Air Tubing(8×6mm) |
| 17 | 46-1001-1-095 | Marked(1) |
| 18 | 46-1003-5-767 | Cord Stay |
| | | * Specify Length. |

LARGE BOBBIN



LARGE BOBBIN ASSOCIATE PARTS(EXTRA PARTS)

| Det. No | Parts. No | Description |
|---------|---------------|-------------------------------------|
| 1 | 48-1125-5-986 | Large Bobbin, C. |
| 2 | 48-1900-0-031 | Thread Take-up Cover |
| 3 | 48-1900-0-037 | Thread Take-up |
| 4 | 46-1000-8-269 | Wick |
| 5 | 48-1900-0-038 | Thread Take-up Lever Slide Block |
| 6 | 46-1000-8-272 | Wick |
| 7 | 46-1001-5-030 | Pusher |
| 8 | 48-1900-0-064 | Bobbin Case Opener |
| 9 | 46-1000-8-207 | Screw(3.57-40×8) |
| 10 | 48-1093-0-001 | Washer |
| 11 | 48-1900-0-062 | Opener Crank |
| 12 | 48-1900-0-061 | Opener Link |
| 13 | 46-1001-5-071 | Link Stud Opener |
| 14 | 46-1000-8-258 | Washer(4.76) |
| 15 | 48-1093-0-000 | Nut |
| 16 | 46-1000-8-280 | Felt |
| 17 | 48-1900-0-063 | Opener Crank Stud |
| 18 | 46-1001-5-073 | Pipe |
| 19 | 46-1000-8-241 | Screw(4.76) |
| 20 | 48-1900-0-057 | Rotary Hook Shaft Bushing(Lower) |
| 21 | 46-1000-8-240 | Screw(4.76) |
| 22 | 48-1125-5-580 | Bobbin |
| 23 | 48-1900-0-094 | Anti-Over-Run Spring |
| 24 | 48-1125-5-987 | Outer Rotary Hook Assembly |
| 25 | 48-1900-0-060 | Tension Adjusting Spring |
| 26 | 46-1000-8-209 | Tension Adjusting Screw |
| 27 | 46-1000-8-210 | Screw |
| 28 | 48-1900-0-058 | Rotary Hook Shaft Bushing(Upper) |
| 29 | | |
| 30 | 48-1900-0-088 | Oil Gauge |
| 31 | 46-1001-5-086 | Oil Pipe |
| 32 | 48-1900-0-056 | Rotary Hook Base (Left) |
| 33 | 46-1001-5-083 | Packing |
| 34 | 46-1001-5-084 | Oil Reservoir(Left) |
| 35 | 48-1900-0-066 | Rotary Hook Base (Right) |
| 36 | 46-1001-5-088 | Oil Reservoir(Right) |
| 37 | 46-1000-8-226 | Oil Adjusting Screw |
| 38 | 46-1000-8-260 | Washer |
| 39 | 46-1000-8-264 | Spring Washer |
| 40 | 46-1000-8-255 | Nut(4.37) |

| Spare Parts Models | Jumping Guide Block | Patch Guide Complete | Patch Guide (Upper) | Patch Guide (Lower) | Slide Plate (Left) | Slide Plate (Right) | Clamp Foot Spacer |
|--------------------|---------------------|----------------------|---------------------|---------------------|--------------------|---------------------|---------------------|
| | | | | | | | |
| S38S-C10-175S | 46-1001-4-537 | 48-1125-5-803 | 48-1125-5-754 | 46-1001-5-371 | 48-1125-5-930 | 48-1125-5-931 | 46-1001-4-594(3.25) |
| C10-175D | " | 48-1125-5-804 | 48-1125-5-755 | 46-1001-5-364 | " | " | " |
| C10-180S | " | 48-1125-5-957 | 48-1125-5-754 | 46-1001-5-405 | " | " | 46-1001-5-411(3.5) |
| C10-180D | " | 48-1125-5-958 | 48-1125-5-755 | 46-1001-5-406 | " | " | " |
| C10-185S | " | 48-1125-5-805 | 48-1125-5-754 | 48-1125-5-752 | " | " | 48-1125-5-622(3.75) |
| C10-185D | " | 48-1125-5-806 | 48-1125-5-755 | 48-1125-5-753 | " | " | " |
| C12-210S | 46-1001-4-538 | 48-1125-5-785 | 48-1125-5-756 | 46-1001-5-372 | " | " | 46-1001-5-219(4.0) |
| C12-210D | " | 48-1125-5-783 | 48-1125-5-757 | 46-1001-5-365 | " | " | " |
| C12-220S | " | 48-1125-5-807 | 48-1125-5-756 | 46-1001-5-373 | " | " | 46-1001-4-595(4.5) |
| C12-220D | " | 48-1125-5-808 | 48-1125-5-757 | 46-1001-5-366 | " | " | " |
| C12-230S | " | 38-1125-6-158 | 48-1125-5-756 | 46-1001-5-374 | " | " | 46-1001-4-596(5.0) |
| C12-230D | " | 38-1125-6-157 | 48-1125-5-757 | 46-1001-5-367 | " | " | " |
| C14-270S | 46-1001-5-202 | 48-1125-5-809 | 48-1125-5-758 | 46-1001-5-376 | " | " | 46-1001-5-214(6.0) |
| C14-270D | " | 48-1125-5-810 | 48-1125-5-759 | 46-1001-5-369 | " | " | " |
| C16-300S | 46-1001-5-293 | 48-1125-5-811 | 48-1125-5-760 | 48-1125-5-512 | 48-1125-5-932 | 48-1125-5-933 | 46-1001-5-284(7.0) |
| C16-300D | " | 48-1125-5-812 | 48-1125-5-761 | 48-1125-5-511 | " | " | " |
| C16-310S | " | 48-1125-5-813 | 48-1125-5-760 | 48-1125-5-570 | " | " | " |
| C16-310D | " | 48-1125-5-814 | 48-1125-5-761 | 48-1125-5-571 | " | " | " |
| C18-350S | 46-1001-5-294 | 48-1125-5-815 | 48-1125-5-762 | 48-1125-5-572 | 48-1125-5-934 | 48-1125-5-935 | 46-1001-5-286(8.0) |
| C18-350D | " | 48-1125-5-816 | 48-1125-5-763 | 48-1125-5-573 | " | " | " |
| C20-390S | 46-1001-5-295 | 48-1125-5-817 | 48-1125-5-764 | 48-1125-5-574 | 48-1125-5-936 | 48-1125-5-937 | 46-1001-5-288(9.0) |
| C20-390D | " | 48-1125-5-818 | 48-1125-5-765 | 48-1125-5-575 | " | " | " |

Note : Numbers in () of Clamp Foot Spacer shows its thickness.

| Parts No. | Page No. | Det. No. |
|---------------|----------|----------|
| 02-0150-0-110 | 24 | 20-1 |
| 02-0150-0-111 | 24 | 20-2 |
| 02-0150-0-112 | 24 | 20-3 |
| 02-0150-0-113 | 24 | 20-4 |
| 02-0150-0-114 | 24 | 20-5 |
| 38-1000-9-884 | 20 | 41 |
| 38-1016-0-020 | 21 | 13 |
| 38-1039-0-075 | 12 | 68 |
| 38-1105-0-055 | 22 | 24 |
| 38-1105-7-008 | 21 | 11 |
| 38-1105-7-017 | 21 | 12 |
| 38-1105-7-051 | 22 | 22 |
| 38-1105-7-054 | 21 | 3 |
| 38-1105-7-063 | 21 | 21 |
| 38-1105-7-074 | 22 | 21 |
| 38-1106-6-067 | 21 | 27 |
| 38-1106-9-005 | 21 | 19 |
| 38-1107-0-057 | 21 | 23 |
| 38-1107-0-058 | 21 | 7 |
| 38-1109-0-091 | 23 | 26 |
| 38-1109-0-092 | 23 | 31 |
| 38-1109-1-038 | 14 | 30 |
| 38-1109-1-041 | 16 | 25 |
| 38-1124-9-049 | 22 | 17-1 |
| 38-1124-9-050 | 22 | 17-2 |
| 38-1124-9-051 | 22 | 17-3 |
| 38-1124-9-052 | 22 | 17-4 |
| 38-1124-9-062 | 21 | 1 |
| 38-1125-3-220 | 12 | 69 |
| 38-1125-5-078 | 12 | 23 |
| 38-1125-5-092 | 20 | 45 |
| 38-1125-5-920 | 21 | 2 |
| 38-1125-5-923 | 21 | 14 |
| 38-1125-5-938 | 12 | 14 |
| 38-1125-5-939 | 9 | 1 |
| 38-1125-5-941 | 12 | 67 |
| 38-1125-5-942 | 12 | 66 |

| Parts No. | Page No. | Det. No. |
|---------------|----------|----------|
| 38-1125-6-113 | 13 | 26 |
| 38-1125-6-114 | 19 | 24 |
| 38-1125-6-177 | 9 | 53 |
| 38-1125-6-178 | 9 | 55 |
| 38-1125-6-199 | 21 | 8 |
| 38-1960-1-008 | 13 | 11 |
| 46-1000-0-002 | 9 | 31 |
| 46-1000-0-002 | 10 | 22 |
| 46-1000-0-002 | 12 | 30 |
| 46-1000-0-002 | 13 | 6 |
| 46-1000-0-002 | 16 | 22 |
| 46-1000-0-002 | 17 | 3 |
| 46-1000-0-002 | 21 | 5 |
| 46-1000-0-002 | 25 | 13 |
| 46-1000-0-009 | 9 | 45 |
| 46-1000-0-009 | 10 | 15 |
| 46-1000-0-009 | 12 | 50 |
| 46-1000-0-009 | 17 | 54 |
| 46-1000-0-009 | 19 | 6 |
| 46-1000-0-011 | 17 | 49 |
| 46-1000-0-011 | 19 | 15 |
| 46-1000-0-011 | 20 | 24 |
| 46-1000-0-011 | 21 | 18 |
| 46-1000-0-011 | 27 | 19 |
| 46-1000-0-012 | 9 | 43 |
| 46-1000-0-012 | 12 | 63 |
| 46-1000-0-012 | 13 | 7 |
| 46-1000-0-012 | 17 | 20 |
| 46-1000-0-012 | 27 | 9 |
| 46-1000-0-014 | 9 | 30 |
| 46-1000-0-014 | 10 | 33 |
| 46-1000-0-014 | 12 | 31 |
| 46-1000-0-014 | 13 | 5 |
| 46-1000-0-014 | 14 | 44 |
| 46-1000-0-014 | 16 | 23 |
| 46-1000-0-014 | 17 | 4 |
| 46-1000-0-014 | 20 | 28 |
| 46-1000-0-014 | 21 | 6 |
| 46-1000-0-014 | 25 | 12 |
| 46-1000-0-014 | 27 | 8 |
| 46-1000-0-015 | 8 | 18 |
| 46-1000-0-015 | 10 | 5 |
| 46-1000-0-015 | 12 | 10 |
| 46-1000-0-015 | 15 | 33 |
| 46-1000-0-015 | 16 | 61 |
| 46-1000-0-015 | 17 | 25 |
| 46-1000-0-015 | 20 | 9 |
| 46-1000-0-016 | 10 | 48 |

| Parts No. | Page No. | Det. No. |
|---------------|----------|----------|
| 46-1000-0-016 | 12 | 57 |
| 46-1000-0-016 | 13 | 13 |
| 46-1000-0-016 | 14 | 34 |
| 46-1000-0-016 | 16 | 28 |
| 46-1000-0-016 | 19 | 34 |
| 46-1000-0-016 | 20 | 33 |
| 46-1000-0-016 | 26 | 39 |
| 46-1000-0-016 | 27 | 38 |
| 46-1000-0-035 | 15 | 38 |
| 46-1000-0-035 | 16 | 66 |
| 46-1000-0-037 | 27 | 14 |
| 46-1000-0-039 | 25 | 32 |
| 46-1000-0-054 | 20 | 5 |
| 46-1000-0-054 | 27 | 28 |
| 46-1000-0-063 | 9 | 52 |
| 46-1000-0-063 | 20 | 55 |
| 46-1000-0-065 | 12 | 15 |
| 46-1000-0-070 | 13 | 14 |
| 46-1000-0-182 | 25 | 31 |
| 46-1000-0-209 | 15 | 24 |
| 46-1000-0-209 | 16 | 52 |
| 46-1000-0-257 | 25 | 11 |
| 46-1000-0-260 | 9 | 5 |
| 46-1000-0-260 | 15 | 49 |
| 46-1000-0-260 | 26 | 32 |
| 46-1000-0-260 | 27 | 53 |
| 46-1000-0-332 | 13 | 46 |
| 46-1000-0-334 | 22 | 11 |
| 46-1000-0-335 | 12 | 70 |
| 46-1000-0-339 | 18 | 9 |
| 46-1000-0-399 | 17 | 56 |
| 46-1000-0-399 | 18 | 24 |
| 46-1000-0-419 | 14 | 62 |
| 46-1000-0-421 | 13 | 23 |
| 46-1000-0-421 | 26 | 51 |
| 46-1000-0-421 | 27 | 74 |
| 46-1000-0-425 | 26 | 50 |
| 46-1000-0-426 | 12 | 48 |
| 46-1000-0-428 | 16 | 4 |
| 46-1000-0-429 | 13 | 16 |
| 46-1000-0-429 | 19 | 8 |
| 46-1000-0-432 | 19 | 12 |
| 46-1000-0-432 | 22 | 7 |
| 46-1000-0-432 | 26 | 16 |
| 46-1000-0-432 | 27 | 21 |
| 46-1000-0-433 | 13 | 22 |
| 46-1000-0-439 | 9 | 6 |
| 46-1000-0-439 | 17 | 10 |
| 46-1000-0-439 | 19 | 11 |
| 46-1000-0-439 | 22 | 6 |

INDEX

| Parts No. | Page No. | Det. No. |
|---------------|----------|----------|
| 46-1000-0-439 | 26 | 31 |
| 46-1000-0-530 | 22 | 10 |
| 46-1000-0-538 | 8 | 6 |
| 46-1000-0-538 | 14 | 56 |
| 46-1000-0-538 | 25 | 47 |
| 46-1000-0-555 | 12 | 45 |
| 46-1000-0-600 | 10 | 14 |
| 46-1000-0-600 | 12 | 49 |
| 46-1000-0-600 | 14 | 3 |
| 46-1000-0-600 | 19 | 5 |
| 46-1000-0-612 | 9 | 7 |
| 46-1000-0-612 | 15 | 50 |
| 46-1000-0-612 | 17 | 11 |
| 46-1000-0-623 | 10 | 16 |
| 46-1000-0-623 | 12 | 40 |
| 46-1000-0-623 | 13 | 58 |
| 46-1000-0-623 | 14 | 6 |
| 46-1000-0-623 | 16 | 47 |
| 46-1000-0-623 | 17 | 29 |
| 46-1000-0-644 | 8 | 5 |
| 46-1000-0-644 | 9 | 3 |
| 46-1000-0-644 | 10 | 4 |
| 46-1000-0-644 | 12 | 17 |
| 46-1000-0-644 | 14 | 28 |
| 46-1000-0-644 | 15 | 8 |
| 46-1000-0-644 | 16 | 11 |
| 46-1000-0-644 | 17 | 14 |
| 46-1000-0-644 | 18 | 5 |
| 46-1000-0-644 | 20 | 10 |
| 46-1000-0-644 | 22 | 35 |
| 46-1000-0-644 | 23 | 20 |
| 46-1000-0-644 | 25 | 48 |
| 46-1000-0-663 | 8 | 14 |
| 46-1000-0-663 | 9 | 59 |
| 46-1000-0-663 | 10 | 37 |
| 46-1000-0-663 | 11 | 9 |
| 46-1000-0-663 | 12 | 7 |
| 46-1000-0-663 | 15 | 12 |
| 46-1000-0-663 | 16 | 31 |
| 46-1000-0-663 | 17 | 47 |
| 46-1000-0-663 | 18 | 22 |
| 46-1000-0-663 | 19 | 14 |
| 46-1000-0-663 | 20 | 23 |
| 46-1000-0-663 | 21 | 16 |
| 46-1000-0-663 | 23 | 10 |
| 46-1000-0-663 | 26 | 28 |
| 46-1000-0-663 | 27 | 26 |
| 46-1000-0-665 | 8 | 19 |
| 46-1000-0-665 | 9 | 4 |
| 46-1000-0-665 | 10 | 3 |

| Parts No. | Page No. | Det. No. |
|---------------|----------|----------|
| 46-1000-0-665 | 12 | 9 |
| 46-1000-0-665 | 14 | 27 |
| 46-1000-0-665 | 15 | 7 |
| 46-1000-0-665 | 16 | 10 |
| 46-1000-0-665 | 17 | 15 |
| 46-1000-0-665 | 18 | 6 |
| 46-1000-0-665 | 20 | 11 |
| 46-1000-0-665 | 22 | 36 |
| 46-1000-0-665 | 23 | 21 |
| 46-1000-0-665 | 25 | 7 |
| 46-1000-0-665 | 27 | 65 |
| 46-1000-0-666 | 9 | 24 |
| 46-1000-0-666 | 10 | 46 |
| 46-1000-0-666 | 12 | 59 |
| 46-1000-0-666 | 13 | 33 |
| 46-1000-0-666 | 14 | 32 |
| 46-1000-0-666 | 15 | 16 |
| 46-1000-0-666 | 16 | 18 |
| 46-1000-0-666 | 19 | 33 |
| 46-1000-0-666 | 20 | 17 |
| 46-1000-0-666 | 26 | 9 |
| 46-1000-0-666 | 27 | 36 |
| 46-1000-0-667 | 9 | 58 |
| 46-1000-0-667 | 10 | 36 |
| 46-1000-0-667 | 11 | 8 |
| 46-1000-0-667 | 13 | 37 |
| 46-1000-0-667 | 15 | 11 |
| 46-1000-0-667 | 16 | 3 |
| 46-1000-0-667 | 17 | 48 |
| 46-1000-0-667 | 19 | 29 |
| 46-1000-0-667 | 20 | 22 |
| 46-1000-0-667 | 21 | 17 |
| 46-1000-0-667 | 23 | 9 |
| 46-1000-0-667 | 26 | 27 |
| 46-1000-0-667 | 27 | 49 |
| 46-1000-0-669 | 9 | 61 |
| 46-1000-0-669 | 10 | 13 |
| 46-1000-0-669 | 14 | 4 |
| 46-1000-0-669 | 19 | 4 |
| 46-1000-0-670 | 12 | 3 |
| 46-1000-0-670 | 21 | 9 |
| 46-1000-0-676 | 9 | 25 |
| 46-1000-0-676 | 10 | 47 |
| 46-1000-0-676 | 12 | 58 |
| 46-1000-0-676 | 13 | 34 |
| 46-1000-0-676 | 14 | 33 |
| 46-1000-0-676 | 15 | 15 |
| 46-1000-0-676 | 19 | 32 |
| 46-1000-0-676 | 20 | 16 |
| 46-1000-0-676 | 21 | 26 |

| Parts No. | Page No. | Det. No. |
|---------------|----------|----------|
| 46-1000-0-676 | 26 | 8 |
| 46-1000-0-676 | 27 | 37 |
| 46-1000-1-092 | 25 | 36 |
| 46-1000-1-222 | 14 | 21 |
| 46-1000-1-613 | 14 | 50 |
| 46-1000-3-635 | 9 | 23 |
| 46-1000-3-635 | 19 | 20 |
| 46-1000-3-637 | 10 | 8 |
| 46-1000-3-655 | 17 | 39 |
| 46-1000-3-655 | 27 | 46 |
| 46-1000-3-659 | 9 | 16 |
| 46-1000-3-662 | 9 | 29 |
| 46-1000-3-662 | 16 | 36 |
| 46-1000-3-662 | 19 | 2 |
| 46-1000-3-662 | 26 | 3 |
| 46-1000-3-662 | 27 | 11 |
| 46-1000-3-662 | 28 | 7 |
| 46-1000-4-127 | 25 | 6 |
| 46-1000-4-351 | 20 | 49 |
| 46-1000-4-351 | 26 | 23 |
| 46-1000-4-351 | 27 | 73 |
| 46-1000-4-358 | 14 | 64 |
| 46-1000-4-404 | 14 | 53 |
| 46-1000-4-445 | 22 | 9 |
| 46-1000-4-642 | 10 | 31 |
| 46-1000-5-000 | 10 | 53 |
| 46-1000-5-061 | 11 | 15 |
| 46-1000-5-121 | 14 | 55 |
| 46-1000-6-176 | 15 | 5 |
| 46-1000-6-176 | 16 | 8 |
| 46-1000-6-178 | 14 | 11 |
| 46-1000-6-183 | 17 | 31 |
| 46-1000-6-185 | 18 | 20 |
| 46-1000-6-186 | 9 | 51 |
| 46-1000-6-187 | 10 | 45 |
| 46-1000-6-188 | 18 | 2 |
| 46-1000-6-191 | 9 | 37 |
| 46-1000-6-192 | 10 | 6 |
| 46-1000-6-195 | 8 | 28 |
| 46-1000-6-196 | 13 | 12 |
| 46-1000-6-197 | 8 | 15 |
| 46-1000-6-198 | 14 | 61 |
| 46-1000-6-199 | 27 | 20 |
| 46-1000-6-201 | 20 | 53 |
| 46-1000-6-203 | 13 | 10 |

INDEX

| Parts No. | Page No. | Det. No. |
|---------------|----------|----------|
| 46-1000-6-206 | 20 | 6 |
| 46-1000-6-209 | 13 | 40 |
| 46-1000-6-212 | 20 | 7 |
| 46-1000-6-212 | 27 | 43 |
| 46-1000-6-213 | 17 | 24 |
| 46-1000-6-214 | 17 | 2 |
| 46-1000-6-215 | 17 | 41 |
| 46-1000-6-216 | 17 | 46 |
| 46-1000-6-220 | 14 | 31 |
| 46-1000-6-220 | 19 | 7 |
| 46-1000-6-223 | 13 | 27 |
| 46-1000-6-225 | 16 | 2 |
| 46-1000-6-226 | 12 | 33 |
| 46-1000-6-227 | 13 | 43 |
| 46-1000-6-229 | 12 | 47 |
| 46-1000-6-232 | 12 | 56 |
| 46-1000-6-232 | 13 | 54 |
| 46-1000-6-233 | 18 | 14 |
| 46-1000-6-434 | 12 | 65 |
| 46-1000-6-444 | 13 | 45 |
| 46-1000-6-638 | 18 | 8 |
| 46-1000-6-905 | 13 | 2 |
| 46-1000-6-905 | 26 | 5 |
| 46-1000-6-905 | 28 | 10 |
| 46-1000-7-609 | 25 | 43 |
| 46-1000-7-650 | 9 | 10 |
| 46-1000-7-678 | 14 | 59 |
| 46-1000-8-200 | 1 | 2 |
| 46-1000-8-201 | 1 | 3 |
| 46-1000-8-201 | 7 | 22 |
| 46-1000-8-202 | 1 | 7 |
| 46-1000-8-202 | 5 | 5 |
| 46-1000-8-203 | 1 | 17 |
| 46-1000-8-204 | 7 | 5 |
| 46-1000-8-205 | 2 | 5 |
| 46-1000-8-206 | 2 | 6 |
| 46-1000-8-207 | 2 | 37 |
| 46-1000-8-207 | 3 | 37 |
| 46-1000-8-207 | 29 | 9 |
| 46-1000-8-208 | 3 | 22 |
| 46-1000-8-209 | 3 | 25 |
| 46-1000-8-209 | 29 | 26 |
| 46-1000-8-210 | 3 | 26 |
| 46-1000-8-210 | 29 | 27 |
| 46-1000-8-211 | 5 | 3 |
| 46-1000-8-212 | 5 | 14 |
| 46-1000-8-213 | 5 | 68 |
| 46-1000-8-214 | 5 | 72 |

| Parts No. | Page No. | Det. No. |
|---------------|----------|----------|
| 46-1000-8-215 | 5 | 22 |
| 46-1000-8-216 | 5 | 10 |
| 46-1000-8-217 | 6 | 7 |
| 46-1000-8-218 | 6 | 8 |
| 46-1000-8-219 | 6 | 11 |
| 46-1000-8-220 | 6 | 19 |
| 46-1000-8-221 | 6 | 22 |
| 46-1000-8-222 | 6 | 31 |
| 46-1000-8-223 | 6 | 41 |
| 46-1000-8-224 | 7 | 12 |
| 46-1000-8-224 | 25 | 39 |
| 46-1000-8-225 | 7 | 20 |
| 46-1000-8-226 | 5 | 57 |
| 46-1000-8-226 | 29 | 37 |
| 46-1000-8-227 | 6 | 9 |
| 46-1000-8-229 | 1 | 16 |
| 46-1000-8-230 | 2 | 30 |
| 46-1000-8-233 | 2 | 3 |
| 46-1000-8-234 | 3 | 19 |
| 46-1000-8-235 | 2 | 10 |
| 46-1000-8-235 | 3 | 17 |
| 46-1000-8-236 | 2 | 20 |
| 46-1000-8-236 | 3 | 13 |
| 46-1000-8-237 | 2 | 21 |
| 46-1000-8-237 | 3 | 12 |
| 46-1000-8-238 | 2 | 50 |
| 46-1000-8-239 | 3 | 4 |
| 46-1000-8-240 | 3 | 28 |
| 46-1000-8-240 | 29 | 21 |
| 46-1000-8-241 | 3 | 41 |
| 46-1000-8-241 | 29 | 19 |
| 46-1000-8-242 | 3 | 6 |
| 46-1000-8-243 | 3 | 16 |
| 46-1000-8-244 | 6 | 15 |
| 46-1000-8-245 | 1 | 8 |
| 46-1000-8-246 | 6 | 12 |
| 46-1000-8-247 | 6 | 16 |
| 46-1000-8-248 | 5 | 15 |
| 46-1000-8-249 | 6 | 39 |
| 46-1000-8-250 | 6 | 40 |
| 46-1000-8-251 | 6 | 20 |
| 46-1000-8-252 | 1 | 14 |
| 46-1000-8-253 | 7 | 21 |
| 46-1000-8-255 | 5 | 60 |
| 46-1000-8-255 | 29 | 40 |
| 46-1000-8-256 | 7 | 10 |
| 46-1000-8-257 | 3 | 33 |
| 46-1000-8-258 | 29 | 14 |
| 46-1000-8-260 | 5 | 58 |
| 46-1000-8-260 | 29 | 38 |

| Parts No. | Page No. | Det. No. |
|---------------|----------|----------|
| 46-1000-8-261 | 5 | 8 |
| 46-1000-8-262 | 6 | 23 |
| 46-1000-8-263 | 6 | 44 |
| 46-1000-8-264 | 5 | 59 |
| 46-1000-8-264 | 6 | 42 |
| 46-1000-8-264 | 29 | 39 |
| 46-1000-8-265 | 6 | 25 |
| 46-1000-8-266 | 5 | 32 |
| 46-1000-8-267 | 5 | 16 |
| 46-1000-8-268 | 5 | 40 |
| 46-1000-8-269 | 5 | 34 |
| 46-1000-8-269 | 29 | 4 |
| 46-1000-8-271 | 5 | 38 |
| 46-1000-8-272 | 5 | 35 |
| 46-1000-8-272 | 29 | 6 |
| 46-1000-8-273 | 5 | 17 |
| 46-1000-8-274 | 5 | 39 |
| 46-1000-8-275 | 5 | 54 |
| 46-1000-8-276 | 5 | 63 |
| 46-1000-8-277 | 5 | 21 |
| 46-1000-8-278 | 5 | 55 |
| 46-1000-8-279 | 5 | 46 |
| 46-1000-8-280 | 5 | 62 |
| 46-1000-8-280 | 29 | 16 |
| 46-1000-8-281 | 5 | 66 |
| 46-1000-8-282 | 5 | 47 |
| 46-1000-8-283 | 5 | 65 |
| 46-1000-8-284 | 5 | 52 |
| 46-1000-8-287 | 5 | 69 |
| 46-1000-8-289 | 1 | 12 |
| 46-1000-9-127 | 14 | 47 |
| 46-1000-9-142 | 14 | 48 |
| 46-1000-9-200 | 14 | 70 |
| 46-1000-9-209 | 25 | 44 |
| 46-1000-9-734 | 9 | 66 |
| 46-1000-9-736 | 11 | 13 |
| 46-1000-9-736 | 16 | 40 |
| 46-1000-9-736 | 22 | 14 |
| 46-1000-9-737 | 15 | 34 |
| 46-1000-9-737 | 16 | 62 |
| 46-1000-9-738 | 17 | 34 |
| 46-1000-9-738 | 19 | 3 |
| 46-1000-9-740 | 13 | 49 |
| 46-1000-9-740 | 15 | 3 |
| 46-1000-9-740 | 17 | 36 |
| 46-1000-9-740 | 19 | 17 |
| 46-1000-9-744 | 9 | 42 |
| 46-1000-9-744 | 17 | 17 |
| 46-1000-9-745 | 9 | 32 |

| Parts No. | Page No. | Det. No. |
|---------------|----------|----------|
| 46-1000-9-745 | 12 | 29 |
| 46-1000-9-745 | 16 | 21 |
| 46-1000-9-746 | 8 | 12 |
| 46-1000-9-746 | 14 | 41 |
| 46-1000-9-746 | 18 | 4 |
| 46-1000-9-747 | 10 | 44 |
| 46-1000-9-747 | 12 | 52 |
| 46-1000-9-747 | 13 | 50 |
| 46-1000-9-747 | 15 | 9 |
| 46-1000-9-747 | 17 | 22 |
| 46-1000-9-748 | 8 | 20 |
| 46-1000-9-748 | 9 | 36 |
| 46-1000-9-748 | 14 | 29 |
| 46-1000-9-749 | 8 | 4 |
| 46-1000-9-749 | 9 | 2 |
| 46-1000-9-749 | 23 | 19 |
| 46-1000-9-750 | 17 | 23 |
| 46-1000-9-751 | 12 | 46 |
| 46-1000-9-752 | 10 | 39 |
| 46-1000-9-752 | 14 | 2 |
| 46-1000-9-752 | 15 | 40 |
| 46-1000-9-752 | 16 | 15 |
| 46-1000-9-753 | 2 | 47 |
| 46-1000-9-753 | 10 | 35 |
| 46-1000-9-753 | 15 | 53 |
| 46-1000-9-753 | 16 | 7 |
| 46-1000-9-753 | 26 | 26 |
| 46-1000-9-754 | 15 | 10 |
| 46-1000-9-754 | 19 | 28 |
| 46-1000-9-754 | 27 | 25 |
| 46-1000-9-755 | 13 | 52 |
| 46-1000-9-755 | 17 | 28 |
| 46-1000-9-755 | 18 | 23 |
| 46-1000-9-755 | 19 | 13 |
| 46-1000-9-755 | 21 | 15 |
| 46-1000-9-758 | 10 | 51 |
| 46-1000-9-758 | 19 | 36 |
| 46-1000-9-758 | 26 | 34 |
| 46-1000-9-758 | 27 | 35 |
| 46-1000-9-759 | 19 | 25 |
| 46-1000-9-759 | 26 | 38 |
| 46-1000-9-759 | 27 | 62 |
| 46-1000-9-760 | 26 | 17 |
| 46-1000-9-761 | 17 | 9 |
| 46-1000-9-761 | 19 | 10 |
| 46-1000-9-761 | 26 | 30 |
| 46-1000-9-761 | 27 | 51 |
| 46-1000-9-768 | 10 | 28 |
| 46-1000-9-770 | 13 | 19 |
| 46-1000-9-774 | 12 | 2 |

| Parts No. | Page No. | Det. No. |
|---------------|----------|----------|
| 46-1000-9-774 | 21 | 10 |
| 46-1000-9-775 | 27 | 23 |
| 46-1000-9-776 | 17 | 45 |
| 46-1000-9-776 | 27 | 3 |
| 46-1000-9-777 | 9 | 26 |
| 46-1000-9-777 | 21 | 25 |
| 46-1000-9-793 | 13 | 57 |
| 46-1000-9-793 | 17 | 19 |
| 46-1000-9-797 | 15 | 26 |
| 46-1000-9-797 | 16 | 54 |
| 46-1000-9-800 | 27 | 7 |
| 46-1000-9-801 | 10 | 21 |
| 46-1000-9-801 | 13 | 56 |
| 46-1000-9-804 | 25 | 26 |
| 46-1000-9-807 | 13 | 31 |
| 46-1000-9-811 | 25 | 22 |
| 46-1000-9-812 | 25 | 14 |
| 46-1000-9-814 | 13 | 8 |
| 46-1000-9-858 | 13 | 15 |
| 46-1000-9-911 | 10 | 42 |
| 46-1000-9-914 | 20 | 8 |
| 46-1000-9-928 | 22 | 5 |
| 46-1000-9-935 | 17 | 52 |
| 46-1000-9-936 | 15 | 4 |
| 46-1000-9-936 | 20 | 15 |
| 46-1000-9-936 | 26 | 7 |
| 46-1000-9-936 | 26 | 14 |
| 46-1000-9-940 | 15 | 14 |
| 46-1000-9-940 | 16 | 27 |
| 46-1000-9-940 | 19 | 31 |
| 46-1000-9-954 | 13 | 30 |
| 46-1000-9-956 | 20 | 2 |
| 46-1000-9-957 | 20 | 29 |
| 46-1000-9-959 | 25 | 21 |
| 46-1000-9-964 | 16 | 46 |
| 46-1000-9-970 | 9 | 35 |
| 46-1000-9-970 | 11 | 10 |
| 46-1000-9-970 | 13 | 38 |
| 46-1000-9-970 | 14 | 37 |
| 46-1000-9-970 | 16 | 6 |
| 46-1000-9-970 | 20 | 13 |
| 46-1000-9-970 | 26 | 41 |
| 46-1000-9-970 | 27 | 48 |
| 46-1000-9-972 | 16 | 17 |
| 46-1000-9-974 | 12 | 16 |
| 46-1000-9-974 | 16 | 13 |
| 46-1000-9-974 | 27 | 41 |
| 46-1000-9-976 | 14 | 24 |
| 46-1000-9-976 | 16 | 43 |
| 46-1000-9-976 | 17 | 42 |

| Parts No. | Page No. | Det. No. |
|---------------|----------|----------|
| 46-1000-9-976 | 18 | 25 |
| 46-1000-9-976 | 20 | 51 |
| 46-1000-9-976 | 23 | 8 |
| 46-1000-9-976 | 27 | 59 |
| 46-1000-9-976 | 28 | 5 |
| 46-1000-9-977 | 9 | 57 |
| 46-1000-9-977 | 11 | 7 |
| 46-1000-9-977 | 16 | 30 |
| 46-1000-9-977 | 27 | 72 |
| 46-1000-9-978 | 20 | 32 |
| 46-1000-9-980 | 9 | 56 |
| 46-1000-9-980 | 16 | 38 |
| 46-1000-9-992 | 12 | 64 |
| 46-1000-9-992 | 16 | 12 |
| 46-1000-9-992 | 17 | 13 |
| 46-1000-9-992 | 22 | 34 |
| 46-1000-9-994 | 12 | 62 |
| 46-1000-9-994 | 13 | 4 |
| 46-1000-9-994 | 21 | 4 |
| 46-1000-9-995 | 25 | 24 |
| 46-1001-0-018 | 12 | 43 |
| 46-1001-0-019 | 10 | 29 |
| 46-1001-0-019 | 14 | 7 |
| 46-1001-0-024 | 23 | 13 |
| 46-1001-0-032 | 16 | 48 |
| 46-1001-0-054 | 10 | 32 |
| 46-1001-0-054 | 16 | 49 |
| 46-1001-0-054 | 17 | 18 |
| 46-1001-0-055 | 9 | 13 |
| 46-1001-0-055 | 20 | 42 |
| 46-1001-0-055 | 27 | 32 |
| 46-1001-0-056 | 9 | 12 |
| 46-1001-0-057 | 14 | 35 |
| 46-1001-0-057 | 20 | 43 |
| 46-1001-0-057 | 27 | 31 |
| 46-1001-0-057 | 28 | 13 |
| 46-1001-0-078 | 23 | 17 |
| 46-1001-0-117 | 23 | 18 |
| 46-1001-0-143 | 23 | 25 |
| 46-1001-0-148 | 28 | 9 |
| 46-1001-0-182 | 17 | 6 |
| 46-1001-0-184 | 23 | 11 |
| 46-1001-0-188 | 23 | 5 |
| 46-1001-0-227 | 23 | 1 |
| 46-1001-0-239 | 23 | 15 |
| 46-1001-0-241 | 14 | 5 |
| 46-1001-0-242 | 14 | 68 |
| 46-1001-0-244 | 16 | 44 |
| 46-1001-0-246 | 10 | 27 |

INDEX

| Parts No. | Page No. | Det. No. |
|---------------|----------|----------|
| 46-1001-0-247 | 9 | 11 |
| 46-1001-0-248 | 13 | 55 |
| 46-1001-0-249 | 10 | 10 |
| 46-1001-0-250 | 17 | 27 |
| 46-1001-0-251 | 17 | 51 |
| 46-1001-0-254 | 15 | 22 |
| 46-1001-0-254 | 16 | 26 |
| 46-1001-0-254 | 26 | 19 |
| 46-1001-0-254 | 27 | 55 |
| 46-1001-0-256 | 12 | 36 |
| 46-1001-0-258 | 10 | 17 |
| 46-1001-0-258 | 12 | 39 |
| 46-1001-0-258 | 13 | 59 |
| 46-1001-0-258 | 14 | 8 |
| 46-1001-0-258 | 16 | 50 |
| 46-1001-0-258 | 17 | 7 |
| 46-1001-0-260 | 8 | 24 |
| 46-1001-0-260 | 9 | 67 |
| 46-1001-0-260 | 10 | 56 |
| 46-1001-0-260 | 12 | 55 |
| 46-1001-0-260 | 13 | 60 |
| 46-1001-0-260 | 14 | 71 |
| 46-1001-0-260 | 15 | 51 |
| 46-1001-0-260 | 16 | 69 |
| 46-1001-0-260 | 17 | 55 |
| 46-1001-0-260 | 20 | 54 |
| 46-1001-0-260 | 23 | 37 |
| 46-1001-0-260 | 26 | 47 |
| 46-1001-0-260 | 27 | 70 |
| 46-1001-0-260 | 28 | 14 |
| 46-1001-0-261 | 23 | 38 |
| 46-1001-0-261 | 28 | 15 |
| 46-1001-0-262 | 23 | 39 |
| 46-1001-0-262 | 28 | 16 |
| 46-1001-0-264 | 12 | 35 |
| 46-1001-0-264 | 23 | 6 |
| 46-1001-0-264 | 28 | 12 |
| 46-1001-0-265 | 23 | 2 |
| 46-1001-0-266 | 23 | 22 |
| 46-1001-0-267 | 23 | 14 |
| 46-1001-0-269 | 23 | 12 |
| 46-1001-0-269 | 28 | 11 |
| 46-1001-0-270 | 23 | 4 |
| 46-1001-0-271 | 12 | 54 |
| 46-1001-0-278 | 23 | 3 |
| 46-1001-0-283 | 10 | 9 |
| 46-1001-0-283 | 14 | 65 |
| 46-1001-0-285 | 9 | 14 |
| 46-1001-0-296 | 27 | 30 |
| 46-1001-0-300 | 15 | 21 |

| Parts No. | Page No. | Det. No. |
|---------------|----------|----------|
| 46-1001-0-301 | 27 | 34 |
| 46-1001-0-304 | 12 | 38 |
| 46-1001-0-313 | 28 | 2 |
| 46-1001-0-721 | 14 | 26 |
| 46-1001-0-842 | 22 | 30 |
| 46-1001-0-846 | 22 | 31 |
| 46-1001-0-894 | 22 | 25-1 |
| 46-1001-0-895 | 22 | 25-2 |
| 46-1001-0-896 | 22 | 25-3 |
| 46-1001-0-897 | 22 | 25-4 |
| 46-1001-0-900 | 22 | 1-1 |
| 46-1001-0-913 | 22 | 25-5 |
| 46-1001-0-914 | 20 | 26 |
| 46-1001-0-954 | 22 | 23 |
| 46-1001-0-955 | 22 | 4-1 |
| 46-1001-0-956 | 22 | 3 |
| 46-1001-0-957 | 22 | 2-1 |
| 46-1001-0-958 | 12 | 11 |
| 46-1001-0-976 | 22 | 4-2 |
| 46-1001-0-977 | 22 | 2-2 |
| 46-1001-0-978 | 22 | 1-2 |
| 46-1001-0-979 | 22 | 25-6 |
| 46-1001-0-987 | 22 | 16-1 |
| 46-1001-0-988 | 22 | 16-2 |
| 46-1001-1-095 | 26 | 48-1 |
| 46-1001-1-095 | 27 | 71-1 |
| 46-1001-1-095 | 28 | 17 |
| 46-1001-1-096 | 26 | 48-2 |
| 46-1001-1-096 | 27 | 71-2 |
| 46-1001-1-097 | 26 | 48-3 |
| 46-1001-1-097 | 27 | 71-3 |
| 46-1001-1-098 | 26 | 48-4 |
| 46-1001-1-098 | 27 | 71-4 |
| 46-1001-4-005 | 17 | 33 |
| 46-1001-4-010 | 17 | 44-2 |
| 46-1001-4-011 | 17 | 44-1 |
| 46-1001-4-023 | 18 | 10 |
| 46-1001-4-030 | 17 | 32 |
| 46-1001-4-032 | 13 | 20 |
| 46-1001-4-056 | 13 | 25 |
| 46-1001-4-101 | 19 | 1 |
| 46-1001-4-108 | 16 | 37 |
| 46-1001-4-117 | 16 | 39 |
| 46-1001-4-119 | 16 | 35 |
| 46-1001-4-120 | 16 | 33 |
| 46-1001-4-129 | 15 | 6 |
| 46-1001-4-129 | 16 | 9 |
| 46-1001-4-130 | 15 | 30 |

| Parts No. | Page No. | Det. No. |
|---------------|----------|----------|
| 46-1001-4-130 | 16 | 58 |
| 46-1001-4-136 | 24 | 3 |
| 46-1001-4-143 | 15 | 47 |
| 46-1001-4-144 | 15 | 41 |
| 46-1001-4-144 | 16 | 68 |
| 46-1001-4-186 | 9 | 50 |
| 46-1001-4-224 | 10 | 49 |
| 46-1001-4-225 | 10 | 50 |
| 46-1001-4-244 | 14 | 20-1 |
| 46-1001-4-244 | 24 | 2-1 |
| 46-1001-4-260 | 10 | 52 |
| 46-1001-4-300 | 13 | 48 |
| 46-1001-4-301 | 13 | 51 |
| 46-1001-4-302 | 13 | 47 |
| 46-1001-4-356 | 27 | 42 |
| 46-1001-4-401 | 26 | 15 |
| 46-1001-4-401 | 27 | 50 |
| 46-1001-4-402 | 14 | 36 |
| 46-1001-4-402 | 16 | 16 |
| 46-1001-4-408 | 11 | 2 |
| 46-1001-4-409 | 11 | 1 |
| 46-1001-4-411 | 11 | 12 |
| 46-1001-4-418 | 22 | 8 |
| 46-1001-4-421 | 22 | 12 |
| 46-1001-4-423 | 11 | 14 |
| 46-1001-4-424 | 11 | 11 |
| 46-1001-4-425 | 11 | 6 |
| 46-1001-4-426 | 14 | 46-1 |
| 46-1001-4-427 | 14 | 46-2 |
| 46-1001-4-430 | 10 | 30 |
| 46-1001-4-481 | 14 | 1 |
| 46-1001-4-482 | 14 | 10 |
| 46-1001-4-483 | 14 | 13-1 |
| 46-1001-4-489 | 14 | 46-3 |
| 46-1001-4-501 | 14 | 58 |
| 46-1001-4-502 | 14 | 66 |
| 46-1001-4-503 | 14 | 63-1 |
| 46-1001-4-504 | 14 | 63-2 |
| 46-1001-4-505 | 14 | 51-1 |
| 46-1001-4-506 | 14 | 52-1 |
| 46-1001-4-507 | 14 | 51-2 |
| 46-1001-4-508 | 14 | 52-2 |
| 46-1001-4-510 | 14 | 69 |
| 46-1001-4-512 | 13 | 1 |
| 46-1001-4-521 | 9 | 41-1 |
| 46-1001-4-522 | 9 | 41-2 |
| 46-1001-4-523 | 9 | 8 |
| 46-1001-4-525 | 10 | 2 |
| 46-1001-4-528 | 10 | 43 |
| 46-1001-4-529 | 10 | 34 |

INDEX

| Parts No. | Page No. | Det. No. |
|---------------|----------|----------|
| 46-1001-4-530 | 10 | 38 |
| 46-1001-4-531 | 10 | 40 |
| 46-1001-4-532 | 10 | 41 |
| 46-1001-4-533 | 9 | 15 |
| 46-1001-4-535 | 9 | 44 |
| 46-1001-4-536 | 9 | 17 |
| 46-1001-4-537 | 9 | 40-1 |
| 46-1001-4-538 | 9 | 40-2 |
| 46-1001-4-539 | 10 | 12 |
| 46-1001-4-564 | 21 | 24 |
| 46-1001-4-566 | 10 | 1 |
| 46-1001-4-571 | 9 | 19 |
| 46-1001-4-571 | 19 | 22 |
| 46-1001-4-572 | 9 | 20 |
| 46-1001-4-572 | 19 | 21 |
| 46-1001-4-573 | 14 | 19 |
| 46-1001-4-577 | 14 | 18 |
| 46-1001-4-579 | 14 | 72 |
| 46-1001-4-580 | 26 | 49 |
| 46-1001-4-584 | 12 | 8 |
| 46-1001-4-589 | 18 | 17-1 |
| 46-1001-4-589 | 24 | 7 |
| 46-1001-4-591 | 17 | 35 |
| 46-1001-4-592 | 17 | 38 |
| 46-1001-4-597 | 17 | 50 |
| 46-1001-4-598 | 17 | 21 |
| 46-1001-4-599 | 17 | 26 |
| 46-1001-4-601 | 18 | 12 |
| 46-1001-4-603 | 17 | 43-2 |
| 46-1001-4-604 | 17 | 43-1 |
| 46-1001-4-605 | 17 | 53 |
| 46-1001-4-606 | 17 | 16 |
| 46-1001-4-612 | 18 | 15 |
| 46-1001-4-613 | 15 | 52 |
| 46-1001-4-618 | 18 | 19 |
| 46-1001-4-620 | 18 | 1-1 |
| 46-1001-4-621 | 18 | 1-2 |
| 46-1001-4-625 | 17 | 1 |
| 46-1001-4-628 | 18 | 16-1 |
| 46-1001-4-629 | 18 | 16-2 |
| 46-1001-4-638 | 17 | 40-2 |
| 46-1001-4-639 | 17 | 40-1 |
| 46-1001-4-647 | 18 | 13 |
| 46-1001-4-653 | 18 | 7 |
| 46-1001-4-654 | 17 | 37 |
| 46-1001-4-654 | 27 | 45 |
| 46-1001-4-655 | 13 | 3 |
| 46-1001-4-656 | 12 | 53 |
| 46-1001-4-659 | 13 | 39 |
| 46-1001-4-661 | 13 | 41 |

| Parts No. | Page No. | Det. No. |
|---------------|----------|----------|
| 46-1001-4-675 | 13 | 42 |
| 46-1001-4-680 | 13 | 44 |
| 46-1001-4-693 | 16 | 42 |
| 46-1001-4-704 | 15 | 39 |
| 46-1001-4-705 | 16 | 67 |
| 46-1001-4-707 | 15 | 29 |
| 46-1001-4-707 | 16 | 57 |
| 46-1001-4-709 | 15 | 18 |
| 46-1001-4-711 | 15 | 13 |
| 46-1001-4-720 | 13 | 9 |
| 46-1001-4-722 | 20 | 20 |
| 46-1001-4-723 | 20 | 31 |
| 46-1001-4-725 | 20 | 4 |
| 46-1001-4-728 | 12 | 1 |
| 46-1001-4-734 | 26 | 44 |
| 46-1001-4-734 | 27 | 68 |
| 46-1001-4-744 | 23 | 16 |
| 46-1001-4-745 | 23 | 7 |
| 46-1001-4-753 | 20 | 50 |
| 46-1001-4-756 | 20 | 36 |
| 46-1001-4-757 | 20 | 34 |
| 46-1001-4-758 | 20 | 14 |
| 46-1001-4-758 | 26 | 13 |
| 46-1001-4-759 | 20 | 35 |
| 46-1001-4-760 | 20 | 37 |
| 46-1001-4-761 | 20 | 38 |
| 46-1001-4-763 | 20 | 3 |
| 46-1001-4-767 | 20 | 1 |
| 46-1001-4-769 | 20 | 18 |
| 46-1001-4-770 | 12 | 51 |
| 46-1001-4-780 | 12 | 32 |
| 46-1001-4-780 | 16 | 24 |
| 46-1001-4-797 | 22 | 15-1 |
| 46-1001-4-798 | 22 | 15-2 |
| 46-1001-4-800 | 24 | 33 |
| 46-1001-4-801 | 24 | 30-3 |
| 46-1001-4-802 | 24 | 30-7 |
| 46-1001-4-803 | 24 | 32-1 |
| 46-1001-4-804 | 24 | 32-2 |
| 46-1001-4-805 | 24 | 34 |
| 46-1001-4-806 | 24 | 31 |
| 46-1001-4-807 | 24 | 35 |
| 46-1001-4-817 | 15 | 43 |
| 46-1001-4-840 | 14 | 9 |
| 46-1001-4-842 | 15 | 45 |
| 46-1001-4-850 | 27 | 58 |
| 46-1001-4-856 | 27 | 6 |
| 46-1001-4-858 | 27 | 2 |
| 46-1001-4-861 | 27 | 47 |
| 46-1001-4-863 | 27 | 13 |

| Parts No. | Page No. | Det. No. |
|---------------|----------|----------|
| 46-1001-4-864 | 27 | 24 |
| 46-1001-4-865 | 27 | 16 |
| 46-1001-4-866 | 27 | 15 |
| 46-1001-4-867 | 27 | 12 |
| 46-1001-4-868 | 27 | 29 |
| 46-1001-4-869 | 27 | 17 |
| 46-1001-4-870 | 27 | 22 |
| 46-1001-4-871 | 27 | 44 |
| 46-1001-4-872 | 27 | 57 |
| 46-1001-4-873 | 27 | 60 |
| 46-1001-4-874 | 27 | 10 |
| 46-1001-4-875 | 27 | 63 |
| 46-1001-4-876 | 27 | 27 |
| 46-1001-4-877 | 27 | 39 |
| 46-1001-4-878 | 27 | 61 |
| 46-1001-4-881 | 26 | 25 |
| 46-1001-4-883 | 26 | 24 |
| 46-1001-4-884 | 26 | 12 |
| 46-1001-4-885 | 26 | 4 |
| 46-1001-4-887 | 26 | 2 |
| 46-1001-4-889 | 26 | 6 |
| 46-1001-4-890 | 26 | 37 |
| 46-1001-4-891 | 26 | 33 |
| 46-1001-4-899 | 15 | 17 |
| 46-1001-4-903 | 20 | 27 |
| 46-1001-4-914 | 27 | 64 |
| 46-1001-4-917 | 20 | 30 |
| 46-1001-4-918 | 20 | 12 |
| 46-1001-4-919 | 20 | 19 |
| 46-1001-4-920 | 20 | 25 |
| 46-1001-4-921 | 20 | 21 |
| 46-1001-4-924 | 12 | 25 |
| 46-1001-4-925 | 12 | 26 |
| 46-1001-4-928 | 27 | 4 |
| 46-1001-4-929 | 27 | 5 |
| 46-1001-4-935 | 28 | 3 |
| 46-1001-4-936 | 28 | 6 |
| 46-1001-4-937 | 28 | 8 |
| 46-1001-4-938 | 28 | 4 |
| 46-1001-4-942 | 26 | 40 |
| 46-1001-4-944 | 26 | 36 |
| 46-1001-4-946 | 26 | 11 |
| 46-1001-4-947 | 28 | 1 |
| 46-1001-4-971 | 10 | 25 |
| 46-1001-4-977 | 12 | 44 |
| 46-1001-4-979 | 25 | 8 |
| 46-1001-5-000 | 1 | 4 |
| 46-1001-5-003 | 1 | 13 |
| 46-1001-5-005 | 7 | 16 |

| Parts No. | Page No. | Det. No. |
|---------------|----------|----------|
| 46-1001-5-006 | 7 | 17 |
| 46-1001-5-007 | 7 | 18 |
| 46-1001-5-008 | 7 | 19 |
| 46-1001-5-009 | 7 | 9 |
| 46-1001-5-010 | 7 | 8 |
| 46-1001-5-011 | 7 | 7 |
| 46-1001-5-012 | 7 | 14 |
| 46-1001-5-013 | 7 | 13 |
| 46-1001-5-014 | 7 | 11 |
| 46-1001-5-014 | 25 | 38 |
| 46-1001-5-015 | 7 | 15 |
| 46-1001-5-015 | 25 | 37 |
| 46-1001-5-016 | 7 | 4 |
| 46-1001-5-016 | 25 | 17 |
| 46-1001-5-017 | 7 | 2 |
| 46-1001-5-018 | 7 | 3 |
| 46-1001-5-020 | 1 | 15 |
| 46-1001-5-021 | 1 | 18 |
| 46-1001-5-022 | 1 | 19 |
| 46-1001-5-023 | 1 | 20 |
| 46-1001-5-025 | 2 | 48 |
| 46-1001-5-027 | 2 | 12 |
| 46-1001-5-028 | 2 | 11 |
| 46-1001-5-029 | 2 | 14 |
| 46-1001-5-030 | 2 | 15 |
| 46-1001-5-030 | 29 | 7 |
| 46-1001-5-033 | 2 | 4 |
| 46-1001-5-034 | 2 | 7 |
| 46-1001-5-037 | 2 | 23 |
| 46-1001-5-038 | 2 | 22 |
| 46-1001-5-039 | 2 | 19 |
| 46-1001-5-040 | 2 | 25 |
| 46-1001-5-041 | 2 | 18 |
| 46-1001-5-043 | 5 | 28 |
| 46-1001-5-046 | 2 | 34 |
| 46-1001-5-047 | 2 | 35 |
| 46-1001-5-054 | 1 | 11 |
| 46-1001-5-059 | 3 | 1 |
| 46-1001-5-060 | 3 | 2 |
| 46-1001-5-061 | 3 | 3 |
| 46-1001-5-062 | 3 | 5 |
| 46-1001-5-063 | 3 | 7 |
| 46-1001-5-064 | 3 | 11 |
| 46-1001-5-065 | 3 | 8 |
| 46-1001-5-066 | 3 | 10 |
| 46-1001-5-068 | 3 | 36 |
| 46-1001-5-069 | 3 | 35 |
| 46-1001-5-070 | 3 | 31 |
| 46-1001-5-071 | 3 | 32 |
| 46-1001-5-071 | 29 | 13 |

| Parts No. | Page No. | Det. No. |
|---------------|----------|----------|
| 46-1001-5-072 | 3 | 39 |
| 46-1001-5-073 | 3 | 40 |
| 46-1001-5-073 | 5 | 45 |
| 46-1001-5-073 | 29 | 18 |
| 46-1001-5-074 | 3 | 42 |
| 46-1001-5-075 | 3 | 27 |
| 46-1001-5-076 | 3 | 29 |
| 46-1001-5-078 | 3 | 24 |
| 46-1001-5-081 | 3 | 43 |
| 46-1001-5-081 | 24 | 19 |
| 46-1001-5-083 | 29 | 33 |
| 46-1001-5-084 | 3 | 20 |
| 46-1001-5-084 | 29 | 34 |
| 46-1001-5-086 | 29 | 31 |
| 46-1001-5-088 | 3 | 21 |
| 46-1001-5-088 | 29 | 36 |
| 46-1001-5-089 | 5 | 4 |
| 46-1001-5-090 | 5 | 9 |
| 46-1001-5-091 | 5 | 7 |
| 46-1001-5-092 | 5 | 6 |
| 46-1001-5-093 | 5 | 18 |
| 46-1001-5-094 | 5 | 13 |
| 46-1001-5-095 | 5 | 50 |
| 46-1001-5-097 | 5 | 2 |
| 46-1001-5-098 | 5 | 53 |
| 46-1001-5-099 | 5 | 48 |
| 46-1001-5-100 | 5 | 64 |
| 46-1001-5-101 | 5 | 51 |
| 46-1001-5-105 | 5 | 67 |
| 46-1001-5-106 | 5 | 71 |
| 46-1001-5-107 | 5 | 70 |
| 46-1001-5-108 | 5 | 49 |
| 46-1001-5-109 | 2 | 29 |
| 46-1001-5-110 | 7 | 6 |
| 46-1001-5-111 | 7 | 1 |
| 46-1001-5-151 | 24 | 22 |
| 46-1001-5-152 | 24 | 24 |
| 46-1001-5-153 | 24 | 25 |
| 46-1001-5-154 | 24 | 15 |
| 46-1001-5-156 | 6 | 34 |
| 46-1001-5-157 | 6 | 17 |
| 46-1001-5-158 | 6 | 18 |
| 46-1001-5-159 | 6 | 24 |
| 46-1001-5-160 | 6 | 29 |
| 46-1001-5-161 | 6 | 28 |
| 46-1001-5-162 | 6 | 27 |
| 46-1001-5-163 | 6 | 30 |
| 46-1001-5-164 | 6 | 21 |
| 46-1001-5-166 | 6 | 14 |
| 46-1001-5-167 | 6 | 13 |

| Parts No. | Page No. | Det. No. |
|---------------|----------|----------|
| 46-1001-5-168 | 6 | 5 |
| 46-1001-5-169 | 6 | 3 |
| 46-1001-5-170 | 6 | 2 |
| 46-1001-5-171 | 6 | 4 |
| 46-1001-5-172 | 6 | 10 |
| 46-1001-5-173 | 6 | 6 |
| 46-1001-5-174 | 6 | 1 |
| 46-1001-5-175 | 5 | 38 |
| 46-1001-5-176 | 24 | 17 |
| 46-1001-5-177 | 24 | 29 |
| 46-1001-5-179 | 24 | 27 |
| 46-1001-5-180 | 24 | 26 |
| 46-1001-5-181 | 6 | 36 |
| 46-1001-5-182 | 6 | 37 |
| 46-1001-5-184 | 2 | 46 |
| 46-1001-5-200 | 9 | 41-3 |
| 46-1001-5-201 | 14 | 63-3 |
| 46-1001-5-202 | 9 | 40-3 |
| 46-1001-5-216 | 15 | 23-1 |
| 46-1001-5-217 | 15 | 23-2 |
| 46-1001-5-218 | 15 | 23-3 |
| 46-1001-5-220 | 12 | 37 |
| 46-1001-5-221 | 12 | 42 |
| 46-1001-5-222 | 13 | 21 |
| 46-1001-5-223 | 13 | 24 |
| 46-1001-5-224 | 12 | 13 |
| 46-1001-5-226 | 20 | 52 |
| 46-1001-5-235 | 26 | 45 |
| 46-1001-5-235 | 27 | 69 |
| 46-1001-5-237 | 15 | 27 |
| 46-1001-5-238 | 16 | 55 |
| 46-1001-5-240 | 15 | 35 |
| 46-1001-5-240 | 16 | 63 |
| 46-1001-5-242 | 15 | 37 |
| 46-1001-5-242 | 16 | 65 |
| 46-1001-5-243 | 15 | 36 |
| 46-1001-5-243 | 16 | 64 |
| 46-1001-5-246 | 15 | 28 |
| 46-1001-5-246 | 16 | 56 |
| 46-1001-5-254 | 14 | 46-4 |
| 46-1001-5-255 | 14 | 46-5 |
| 46-1001-5-256 | 14 | 46-6 |
| 46-1001-5-257 | 15 | 46 |
| 46-1001-5-292 | 14 | 20-2 |
| 46-1001-5-292 | 24 | 2-2 |
| 46-1001-5-293 | 9 | 40-4 |
| 46-1001-5-294 | 9 | 40-5 |
| 46-1001-5-295 | 9 | 40-6 |
| 46-1001-5-296 | 9 | 41-4 |
| 46-1001-5-297 | 9 | 41-5 |

INDEX

| Parts No. | Page No. | Det. No. |
|---------------|----------|----------|
| 46-1001-5-298 | 9 | 41-6 |
| 46-1001-5-299 | 14 | 63-4 |
| 46-1001-5-300 | 14 | 63-5 |
| 46-1001-5-301 | 14 | 63-6 |
| 46-1001-5-302 | 14 | 13-2 |
| 46-1001-5-414 | 25 | 4 |
| 46-1001-5-415 | 25 | 15 |
| 46-1001-5-416 | 25 | 18 |
| 46-1001-5-418 | 25 | 10 |
| 46-1001-5-419 | 25 | 23 |
| 46-1001-5-422 | 25 | 20 |
| 46-1001-5-423 | 25 | 19 |
| 46-1001-5-424 | 25 | 16 |
| 46-1001-5-425 | 25 | 25 |
| 46-1001-5-427 | 25 | 42 |
| 46-1001-5-434 | 24 | 30-1 |
| 46-1001-5-435 | 24 | 30-2 |
| 46-1001-5-436 | 24 | 30-4 |
| 46-1001-5-437 | 24 | 30-5 |
| 46-1001-5-438 | 24 | 30-6 |
| 46-1001-5-439 | 24 | 30-8 |
| 46-1001-5-443 | 10 | 26 |
| 46-1001-5-463 | 17 | 8 |
| 46-1001-5-466 | 15 | 23-4 |
| 46-1001-5-468 | 15 | 23-5 |
| 46-1001-5-470 | 15 | 25-6 |
| 46-1001-5-475 | 12 | 34 |
| 46-1001-5-484 | 9 | 27 |
| 46-1001-5-485 | 9 | 28 |
| 46-1001-5-486 | 9 | 33 |
| 46-1001-5-487 | 15 | 25 |
| 46-1001-8-826 | 12 | 60 |
| 46-1002-0-126 | 25 | 30 |
| 46-1002-2-837 | 22 | 13 |
| 46-1002-3-381 | 17 | 12 |
| 46-1003-2-719 | 20 | 48 |
| 46-1003-2-719 | 26 | 22 |
| 46-1003-2-719 | 27 | 52 |
| 46-1003-5-767 | 28 | 18 |
| 46-1003-6-104 | 12 | 41 |
| 46-1003-6-133 | 27 | 40 |
| 46-1003-7-108 | 25 | 34 |

| Parts No. | Page No. | Det. No. |
|---------------|----------|----------|
| 46-1003-7-919 | 24 | 23 |
| 46-1006-0-248 | 25 | 5 |
| 46-1007-7-286 | 9 | 22 |
| 46-1007-7-286 | 19 | 19 |
| 46-1007-7-296 | 9 | 9 |
| 46-1008-0-232 | 25 | 27 |
| 46-1008-0-705 | 25 | 28 |
| 46-1008-0-714 | 10 | 11 |
| 46-1008-5-276 | 25 | 29 |
| 46-1009-3-514 | 25 | 35 |
| 46-1009-3-535 | 25 | 33 |
| 46-1009-4-562 | 10 | 7 |
| 46-1009-9-051 | 24 | 16 |
| 46-1009-9-134 | 24 | 21 |
| 46-1009-9-135 | 24 | 28 |
| 46-1009-9-136 | 24 | 14 |
| 46-1009-9-137 | 24 | 13 |
| 46-1009-9-138 | 24 | 12 |
| 46-1009-9-139 | 24 | 11 |
| 46-1009-9-140 | 24 | 10 |
| 46-1011-0-067 | 17 | 30 |
| 46-1016-0-000 | 14 | 17 |
| 46-1016-0-001 | 8 | 8 |
| 46-1016-0-001 | 14 | 67 |
| 46-1016-0-001 | 27 | 18 |
| 46-1018-0-013 | 9 | 39 |
| 46-1034-0-005 | 12 | 61 |
| 46-1109-1-017 | 8 | 22 |
| 46-1109-1-060 | 14 | 22 |
| 46-1109-1-077 | 26 | 18 |
| 46-1109-1-078 | 26 | 29 |
| 46-1109-1-079 | 27 | 54 |
| 46-1109-8-007 | 26 | 20 |
| 46-1109-8-007 | 27 | 56 |
| 46-1125-5-004 | 18 | 3 |
| 46-1125-5-103 | 9 | 38 |

| Parts No. | Page No. | Det. No. |
|---------------|----------|----------|
| 46-1125-5-112 | 9 | 60 |
| 46-1125-5-113 | 9 | 62 |
| 46-1125-5-130 | 20 | 44 |
| 46-1125-5-149 | 8 | 3 |
| 46-1125-5-153 | 8 | 21 |
| 46-1125-5-155 | 8 | 7 |
| 46-1125-5-156 | 8 | 11 |
| 46-1125-5-157 | 8 | 10 |
| 46-1125-5-158 | 8 | 9 |
| 46-1125-5-164 | 25 | 46 |
| 46-1125-5-166 | 14 | 60 |
| 46-1125-5-168 | 8 | 2 |
| 46-1125-5-169 | 8 | 13 |
| 46-1125-5-303 | 16 | 53 |
| 46-1125-5-323 | 8 | 17 |
| 46-1125-5-324 | 20 | 46 |
| 46-1125-5-696 | 14 | 13-3 |
| 46-1125-5-703 | 26 | 10 |
| 48-1000-0-032 | 15 | 32 |
| 48-1000-0-032 | 16 | 60 |
| 48-1000-0-488 | 9 | 49 |
| 48-1000-0-605 | 13 | 36 |
| 48-1000-5-612 | 12 | 6 |
| 48-1000-9-781 | 15 | 31 |
| 48-1000-9-781 | 16 | 59 |
| 48-1003-3-939 | 24 | 6 |
| 48-1011-0-002 | 14 | 45 |
| 48-1012-0-027 | 23 | 24 |
| 48-1012-0-027 | 25 | 49 |
| 48-1015-0-003 | 9 | 48 |
| 48-1019-0-026 | 15 | 48 |
| 48-1019-0-042 | 18 | 21 |
| 48-1026-0-004 | 11 | 5 |
| 48-1039-0-031 | 23 | 32 |
| 48-1092-0-000 | 1 | 5 |
| 48-1092-0-001 | 1 | 10 |
| 48-1092-0-002 | 2 | 9 |
| 48-1092-0-003 | 2 | 17 |
| 48-1092-0-004 | 2 | 33 |

INDEX

| Parts No. | Page No. | Det. No. |
|---------------|----------|----------|
| 48-1092-0-005 | 2 | 45 |
| 48-1092-0-006 | 2 | 43 |
| 48-1092-0-007 | 3 | 9 |
| 48-1092-0-008 | 3 | 30 |
| 48-1092-0-010 | 4 | 2 |
| 48-1092-0-011 | 4 | 5 |
| 48-1092-0-012 | 4 | 7 |
| 48-1092-0-013 | 4 | 10 |
| 48-1092-0-015 | 4 | 16 |
| 48-1092-0-016 | 4 | 18 |
| 48-1092-0-017 | 4 | 21 |
| 48-1092-0-018 | 4 | 23 |
| 48-1092-0-020 | 5 | 31 |
| 48-1092-0-021 | 5 | 20 |
| 48-1092-0-022 | 6 | 45 |
| 48-1093-0-000 | 3 | 34 |
| 48-1093-0-000 | 29 | 15 |
| 48-1093-0-001 | 3 | 38 |
| 48-1093-0-001 | 29 | 10 |
| 48-1093-0-002 | 5 | 44 |
| 48-1093-0-003 | 5 | 26 |
| 48-1093-0-004 | 5 | 36 |
| 48-1105-7-016 | 22 | 27 |
| 48-1106-0-003 | 22 | 32 |
| 48-1106-1-000 | 22 | 28 |
| 48-1106-4-024 | 19 | 30 |
| 48-1106-4-039 | 22 | 29 |
| 48-1106-6-011 | 21 | 20 |
| 48-1106-6-012 | 15 | 20 |
| 48-1106-6-013 | 26 | 21 |
| 48-1106-6-013 | 27 | 33 |
| 48-1106-6-014 | 12 | 28 |
| 48-1106-6-014 | 16 | 20 |
| 48-1106-6-065 | 8 | 26 |
| 48-1107-0-056 | 22 | 37 |
| 48-1109-0-035 | 23 | 27 |
| 48-1109-0-037 | 23 | 30 |
| 48-1109-0-042 | 23 | 28 |
| 48-1109-0-089 | 20 | 40 |
| 48-1109-1-020 | 15 | 19 |

| Parts No. | Page No. | Det. No. |
|---------------|----------|----------|
| 48-1109-5-001 | 8 | 23 |
| 48-1109-8-008 | 8 | 27 |
| 48-1120-0-063 | 10 | 54-1 |
| 48-1120-0-064 | 10 | 54-2 |
| 48-1120-0-066 | 22 | 18 |
| 48-1120-0-073 | 25 | 45 |
| 48-1120-0-075 | 8 | 25 |
| 48-1120-0-082 | 22 | 19 |
| 48-1120-0-083 | 10 | 55 |
| 48-1125-5-148 | 8 | 16 |
| 48-1125-5-231 | 9 | 21 |
| 48-1125-5-246 | 9 | 18 |
| 48-1125-5-386 | 16 | 1 |
| 48-1125-5-388 | 16 | 5 |
| 48-1125-5-390 | 16 | 51-1 |
| 48-1125-5-391 | 16 | 51-2 |
| 48-1125-5-392 | 16 | 51-3 |
| 48-1125-5-393 | 16 | 51-4 |
| 48-1125-5-394 | 16 | 51-5 |
| 48-1125-5-395 | 16 | 51-6 |
| 48-1125-5-403 | 15 | 42 |
| 48-1125-5-404 | 15 | 44 |
| 48-1125-5-409 | 16 | 32 |
| 48-1125-5-410 | 19 | 35 |
| 48-1125-5-411 | 19 | 37 |
| 48-1125-5-412 | 19 | 18 |
| 48-1125-5-413 | 19 | 23 |
| 48-1125-5-415 | 19 | 27 |
| 48-1125-5-416 | 19 | 16 |
| 48-1125-5-419 | 19 | 9 |
| 48-1125-5-420 | 15 | 2 |
| 48-1125-5-421 | 15 | 1 |
| 48-1125-5-422 | 19 | 26 |
| 48-1125-5-430 | 14 | 14-1 |
| 48-1125-5-431 | 14 | 15-1 |
| 48-1125-5-432 | 14 | 16 |
| 48-1125-5-433 | 14 | 54 |
| 48-1125-5-434 | 14 | 57 |
| 48-1125-5-435 | 14 | 40 |
| 48-1125-5-443 | 16 | 29 |
| 48-1125-5-445 | 12 | 27 |
| 48-1125-5-497 | 22 | 20 |
| 48-1125-5-498 | 22 | 33 |
| 48-1125-5-499 | 12 | 22 |
| 48-1125-5-500 | 12 | 21 |
| 48-1125-5-502 | 12 | 4 |
| 48-1125-5-503 | 12 | 5 |

| Parts No. | Page No. | Det. No. |
|---------------|----------|----------|
| 48-1125-5-505 | 13 | 28 |
| 48-1125-5-506 | 13 | 29 |
| 48-1125-5-507 | 13 | 32 |
| 48-1125-5-523 | 12 | 24 |
| 48-1125-5-524 | 11 | 3 |
| 48-1125-5-531 | 23 | 23 |
| 48-1125-5-565 | 13 | 35 |
| 48-1125-5-577 | 25 | 3 |
| 48-1125-5-578 | 25 | 2 |
| 48-1125-5-579 | 16 | 19 |
| 48-1125-5-580 | 29 | 22 |
| 48-1125-5-594 | 14 | 49 |
| 48-1125-5-600 | 14 | 14-2 |
| 48-1125-5-601 | 14 | 15-2 |
| 48-1125-5-626 | 25 | 1 |
| 48-1125-5-627 | 8 | 1 |
| 48-1125-5-705 | 3 | 23 |
| 48-1125-5-715 | 14 | 23 |
| 48-1125-5-716 | 14 | 39 |
| 48-1125-5-717 | 14 | 38 |
| 48-1125-5-718 | 14 | 12 |
| 48-1125-5-721 | 14 | 43 |
| 48-1125-5-721 | 24 | 1 |
| 48-1125-5-722 | 14 | 42 |
| 48-1125-5-723 | 9 | 46-2 |
| 48-1125-5-724 | 9 | 47-2 |
| 48-1125-5-745 | 9 | 34 |
| 48-1125-5-821 | 20 | 39 |
| 48-1125-5-849 | 16 | 34 |
| 48-1125-5-850 | 16 | 41 |
| 48-1125-5-851 | 16 | 45 |
| 48-1125-5-852 | 12 | 12 |
| 48-1125-5-853 | 16 | 14 |
| 48-1125-5-855 | 9 | 46-1 |
| 48-1125-5-856 | 9 | 47-1 |
| 48-1125-5-885 | 13 | 53 |
| 48-1125-5-898 | 27 | 1 |
| 48-1125-5-930 | 13 | 18-1 |
| 48-1125-5-931 | 13 | 17-1 |
| 48-1125-5-932 | 13 | 18-2 |
| 48-1125-5-933 | 13 | 17-2 |
| 48-1125-5-934 | 13 | 18-3 |
| 48-1125-5-935 | 13 | 17-3 |
| 48-1125-5-936 | 13 | 18-4 |
| 48-1125-5-937 | 13 | 17-4 |
| 48-1125-5-960 | 18 | 17-2 |
| 48-1125-5-961 | 18 | 17-3 |
| 48-1125-5-984 | 26 | 1 |
| 48-1125-5-986 | 29 | 1 |
| 48-1125-5-987 | 29 | 24 |

INDEX

| Parts No. | Page No. | Det. No. |
|---------------|----------|----------|
| 48-1125-6-040 | 25 | 9 |
| 48-1900-0-001 | 11 | 4-1 |
| 48-1900-0-002 | 11 | 4-2 |
| 48-1900-0-003 | 11 | 4-3 |
| 48-1900-0-004 | 11 | 4-4 |
| 48-1900-0-005 | 11 | 4-5 |
| 48-1900-0-006 | 11 | 4-6 |
| 48-1900-0-030 | 1 | 1 |
| 48-1900-0-031 | 29 | 2 |
| 48-1900-0-032 | 1 | 6 |
| 48-1900-0-033 | 1 | 9 |
| 48-1900-0-034 | 2 | 1 |
| 48-1900-0-035 | 2 | 2 |
| 48-1900-0-036 | 2 | 8 |
| 48-1900-0-037 | 29 | 3 |
| 48-1900-0-038 | 29 | 5 |
| 48-1900-0-039 | 2 | 16 |
| 48-1900-0-040 | 2 | 26 |
| 48-1900-0-041 | 2 | 27 |
| 48-1900-0-042 | 2 | 28 |
| 48-1900-0-043 | 2 | 31 |
| 48-1900-0-044 | 2 | 32 |
| 48-1900-0-045 | 2 | 36 |
| 48-1900-0-046 | 2 | 38 |
| 48-1900-0-047 | 2 | 39 |
| 48-1900-0-048 | 2 | 40 |
| 48-1900-0-049 | 2 | 49 |
| 48-1900-0-050 | 2 | 44 |
| 48-1900-0-051 | 2 | 41 |
| 48-1900-0-052 | 2 | 42 |
| 48-1900-0-053 | 3 | 14 |
| 48-1900-0-054 | 3 | 15 |
| 48-1900-0-055 | 3 | 18 |
| 48-1900-0-056 | 29 | 32 |
| 48-1900-0-057 | 29 | 20 |
| 48-1900-0-058 | 29 | 28 |
| 48-1900-0-060 | 29 | 25 |
| 48-1900-0-061 | 29 | 12 |
| 48-1900-0-062 | 29 | 11 |
| 48-1900-0-063 | 29 | 17 |
| 48-1900-0-064 | 29 | 8 |
| 48-1900-0-066 | 29 | 35 |
| 48-1900-0-067 | 4 | 1 |
| 48-1900-0-069 | 4 | 3 |
| 48-1900-0-070 | 4 | 4 |
| 48-1900-0-071 | 4 | 6 |
| 48-1900-0-072 | 4 | 8 |
| 48-1900-0-073 | 4 | 9 |
| 48-1900-0-074 | 4 | 11 |

| Parts No. | Page No. | Det. No. |
|---------------|----------|----------|
| 48-1900-0-075 | 4 | 12 |
| 48-1900-0-076 | 4 | 13 |
| 48-1900-0-077 | 4 | 14 |
| 48-1900-0-078 | 4 | 15 |
| 48-1900-0-079 | 4 | 17 |
| 48-1900-0-080 | 4 | 19 |
| 48-1900-0-081 | 4 | 20 |
| 48-1900-0-082 | 4 | 22 |
| 48-1900-0-086 | 5 | 1 |
| 48-1900-0-087 | 5 | 56 |
| 48-1900-0-088 | 5 | 61 |
| 48-1900-0-088 | 29 | 30 |
| 48-1900-0-089 | 5 | 30 |
| 48-1900-0-090 | 5 | 33 |
| 48-1900-0-091 | 5 | 43 |
| 48-1900-0-092 | 5 | 42 |
| 48-1900-0-093 | 5 | 25 |
| 48-1900-0-094 | 29 | 23 |
| 48-1900-0-095 | 5 | 19 |
| 48-1900-0-096 | 5 | 23 |
| 48-1900-0-097 | 5 | 11 |
| 48-1900-0-098 | 5 | 12 |
| 48-1900-0-099 | 5 | 27 |
| 48-1900-0-101 | 5 | 29 |
| 48-1900-0-102 | 5 | 37 |