

## TABLE OF CONTENTS

---

NEEDLE BAR .....	3-2
CLAMPING .....	3-4
THREAD TRIMMER .....	3-6
SHIFTER MECHANISM .....	3-8
FEED MECHANISM .....	3-10
LOOPER MECHANISM .....	3-12
BASE .....	3-14
KNIFE MECHANISM .....	3-18
MAIN CAM .....	3-20
HEAD ASSEMBLY .....	3-22
TABLES .....	3-28
TABLES .....	3-30
UNIVERSAL TABLE .....	3-32
ACCESSORIES .....	3-34
SHORT CLAMPING - EXTRA PARTS .....	3-36
ELECTRICAL BOX ASSEMBLY .....	3-40
LUBRICATION .....	3-42

### **ISBH Model**

CLAMPING - ISBH MODEL .....	3-44
BASE - ISBH MODEL .....	3-45
MAIN CAM - ISBH MODEL .....	3-46
HEAD ASSEMBLY - ISBH MODEL .....	3-47
THREAD DRAW - OFF - ISBH, TKF, LS .....	3-48
ACCESSORIES -ISBH, TKF, LS .....	3-49
SHIFT MECHANISM - ISBH MODEL .....	3-50
PNEUMATICS - ISBH MODEL .....	3-52
ELECTRICAL BOX ASSEMBLY - ISBH MODEL .....	3-53

**Revised 01/2005**

**e-mail: [service@amfreece.cz](mailto:service@amfreece.cz); [parts@amfreece.cz](mailto:parts@amfreece.cz); website: [www.amfreece.com](http://www.amfreece.com)**

**Phones: +420 582 309 146 (Service), +420 582 309 286 (Spare Parts) ; Fax: +420 582 360 606**

## TABLE OF CONTENTS

---

### ISBH Model with Indexer

BEDPLATE - ISBH MODEL WITH INDEXER .....	3-54
TABLE - ISBH MODEL WITH INDEXER .....	3-55
ELECTRICAL BOX ASSEMBLY - ISBH MODEL WITH INDEXER .....	3-56
INTERFACE BOARD - ISBH MODEL WITH INDEXER .....	3-57

### CAED Model

NEEDLE BAR - CAED MODEL .....	3-58
CLAMPING - CAED MODEL .....	3-60
SHIFTER MECHANISM - CAED MODEL .....	3-62
KNIFE MECHANISM - CAED MODEL .....	3-64
MAIN CAM - CAED MODEL .....	3-66
HEAD ASSEMBLY- CAED MODEL .....	3-68
BEDPLATE - CAED MODEL .....	3-70
ACCESSORIES - CAED MODEL .....	3-72
PNEUMATICS - CAED MODEL .....	3-74
ELECTRICAL BOX ASSEMBLY - CAED MODEL .....	3-76
TABLE - CAED MODEL .....	3-77

### TKF Model

CLAMPING - TKF MODEL .....	3-78
SHIFTER - TKF, LS .....	3-79
MAIN CAM - TKF MODEL .....	3-80
BEDPLATE - TKF MODEL .....	3-81
EXTRA PARTS - TKF MODEL .....	3-82
PNEUMATICS - TKF MODEL .....	3-83

Revised 01/2005

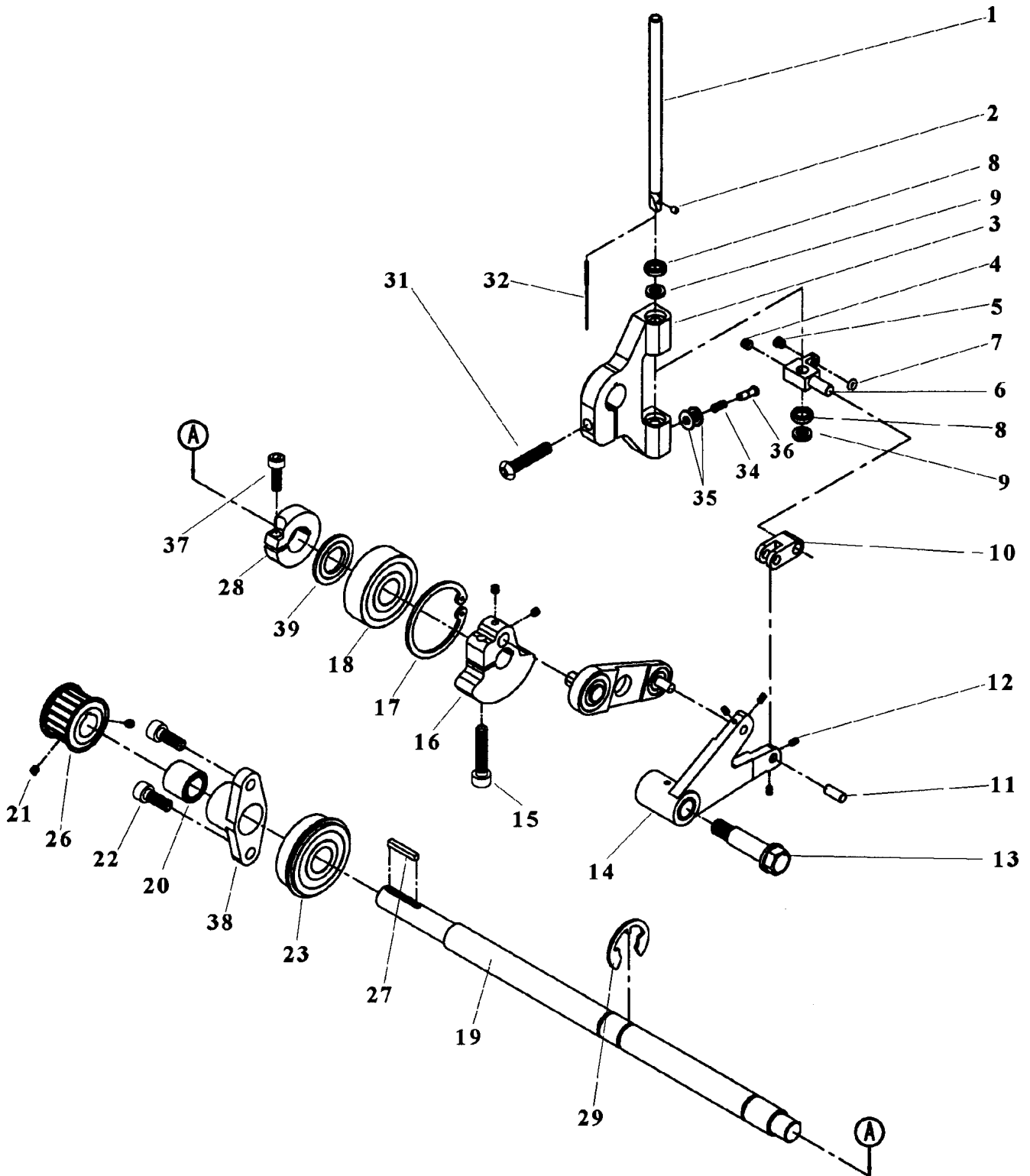
## TABLE OF CONTENTS

---

### **Label Sewer Model**

CLAMPING - LABEL SEWER MODEL .....	3-84
HEAD - LABEL SEWER MODEL .....	3-85
EXTRA PARTS - LABEL SEWER .....	3-86

**NEEDLE BAR**



**NEEDLE BAR**

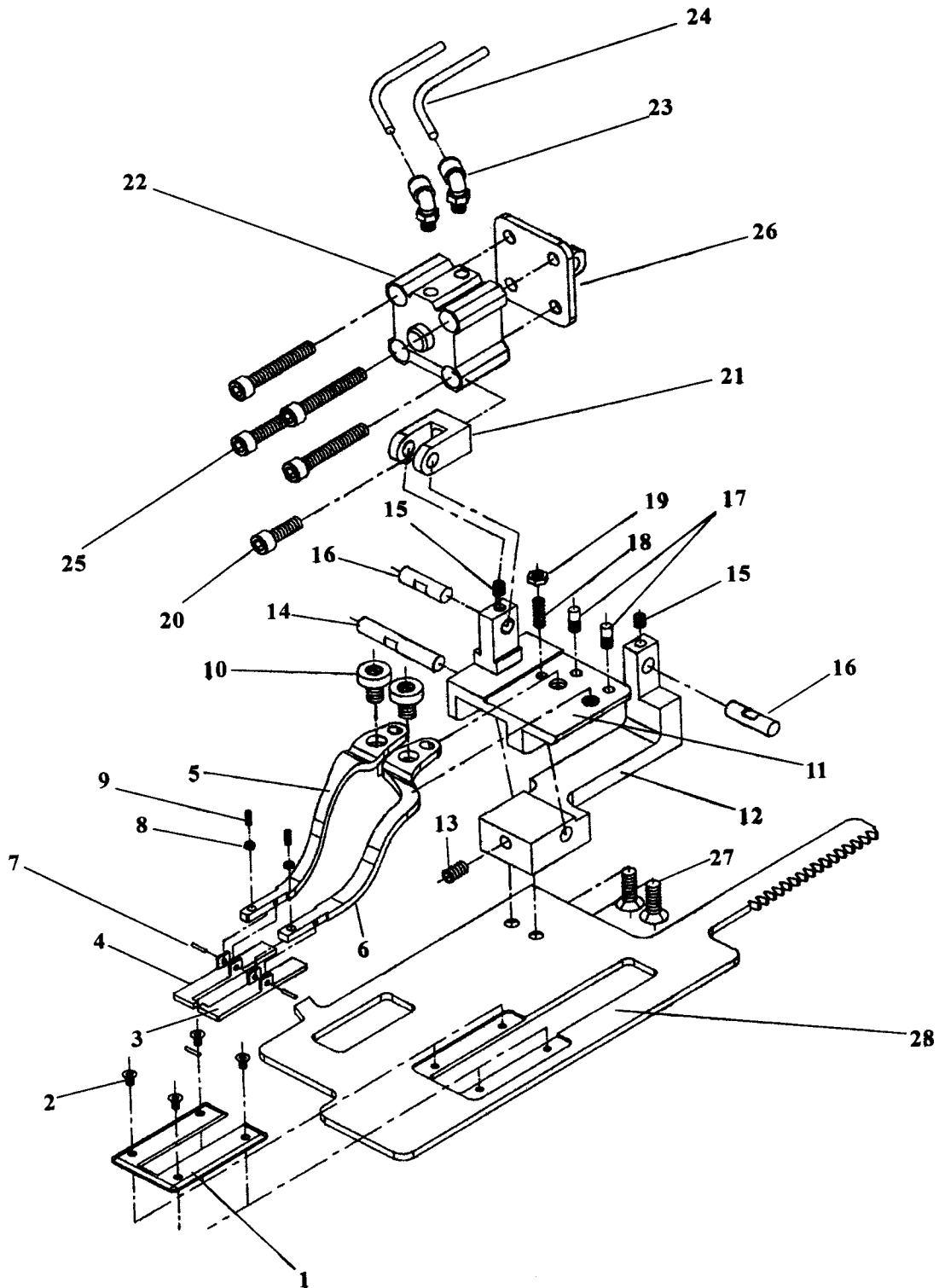
DET	PART NUMBER	DESCRIPTION
01	22.0195.0.000	Needle Bar
02	01.2193.0.000	4-60 Screw
03	22.0510.0.000	Needle Bar Holder
04	01.7447.1.000	Porcelain Guide
05	08.6400.5.005	M5 x 5 Set Screw
06	22.0520.0.000	Needle Bar Clamp
07	01.6551.0.000	Retaining Ring
08	22.0230.0.000	Cupped Washer
09	22.0239.0.000	Felt Washer
10	22.0530.0.000	Needle Bar Connecting Link
11	22.0542.0.000	Needle Bar Connecting Link Pin
12	08.6400.3.005	M3 x 5 Set Screw
13	22.0541.0.000	Needle Bar Shoulder Screw
14	22.0540.0.000	Needle Bar Connecting Link Pin
15	08.6000.6.030	M6 x 30 Screw
16	22.0525.0.000	Needle Bar Crank
17	01.7809.0.000	Retaining Ring
18	01.7804.0.000	Top Shaft Bearing
19	24.0500.0.000	Needle Bar Drive Shaft
20	12.2050.0.003	Bearing
21	08.6400.4.004	M4 x 4 Set Screw
22	08.6000.6.016	M6 x 16 Screw
23	01.7805.0.000	Shaft Bearing
26	24.0048.0.000	Needle Bar Drive Pulley
27	22.0175.0.000	Drive Shaft Key
28	24.0002.0.000	Clamp Collar
29	12.1045.2.001	Retaining Ring
30	22.0535.0.100	Needle Bar Crank Link Asm.
31	08.6200.6.025	M6 x 25 Screw
32	02.0750.2.110	Needle
33		
34	17.0026.2.077	Spring
35	17.0082.8.017	Tension Disk
36	24.0100.0.000	M3.5 x 0.35-11 Screw
37	08.6000.5.016	M5 x 16 Screw
38	24.0001.0.000	Bearing Carrier Upper Shaft
39	22.0545.0.000	Washer

Revised 01/2005

e-mail: [service@amfreece.cz](mailto:service@amfreece.cz); [parts@amfreece.cz](mailto:parts@amfreece.cz); website: [www.amfreece.com](http://www.amfreece.com)

Phones: +420 582 309 146 (Service), +420 582 309 286 (Spare Parts); Fax: +420 582 360 606

# CLAMPING



**CLAMPING**

---

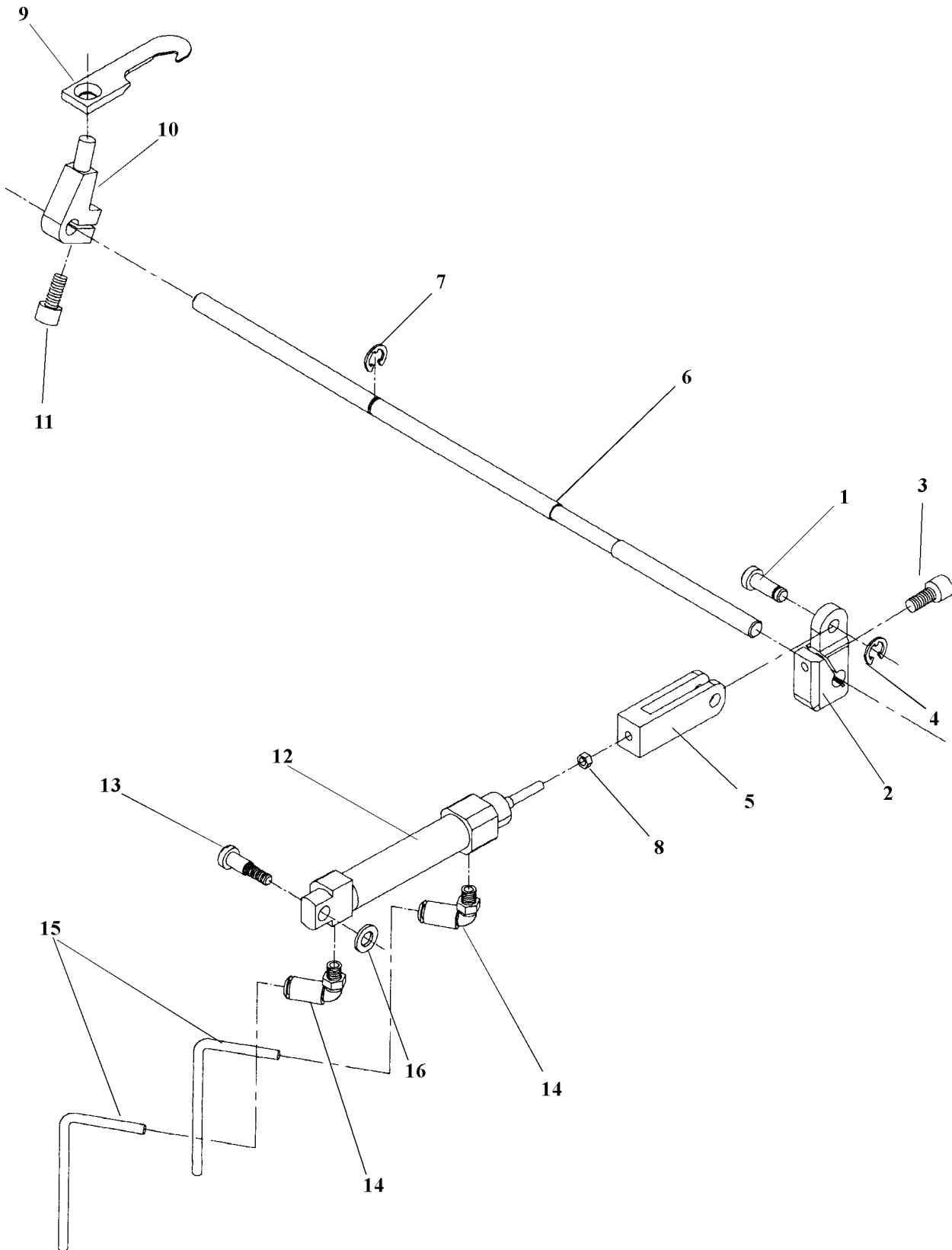
DET	PART NUMER	DESCRIPTION
01	22.0164.0.000	Clamp Mat
02	01.2376.0.000	4-60 Screw
03	22.0224.0.000	R.H. Clamp Foot
04	22.0223.0.000	L.H. Clamp Foot
05	22.0226.0.000	L.H. Clamp Arm
06	22.0227.0.000	R.H. Clamp Arm
07	17.0031.0.460	Roll Pin
08	08.6710.3.000	M3 Nut
09	08.6400.3.006	M3 x 6 Set Screw
10	08.6000.6.008	M6 x 8 Screw
11	24.0157.0.000	Tail Pivot Clamp
12	24.0158.0.000	Tail Bracket Clamp
13	08.6400.5.008	M5 x 10 Set Screw
14	22.0159.0.000	Tail Pivot Clamp Pin
15	08.6400.4.004	M4 x 4 Set Screw
16	22.0173.0.000	Clamp Toggle Pivot Pin
17	07.6045.0.046	Pin
18	08.6400.4.012	M4 x 12 Set Screw
19	08.6700.4.000	M4 Nut
20	08.6000.5.012	M5 x 12 Screw
21	24.0035.0.000	Cylinder Clevis
22	12.0008.3.412	Cylinder
23	12.0008.3.411	Connector
24	12.0008.3.416	Air Tubing
25	08.6000.5.022	M5 x 22 Screw
26	24.0036.0.000	Cylinder Mounting Bracket
27	08.6100.5.012	M5 x 12 Screw
28	22.0125.0.000	Clamp Plate

Revised 01/2005

e-mail: [service@amfreece.cz](mailto:service@amfreece.cz); [parts@amfreece.cz](mailto:parts@amfreece.cz); website: [www.amfreece.com](http://www.amfreece.com)

Phones: +420 582 309 146 (Service), +420 582 309 286 (Spare Parts); Fax: +420 582 360 606

# THREAD TRIMMER





**THREAD TRIMMER**

---

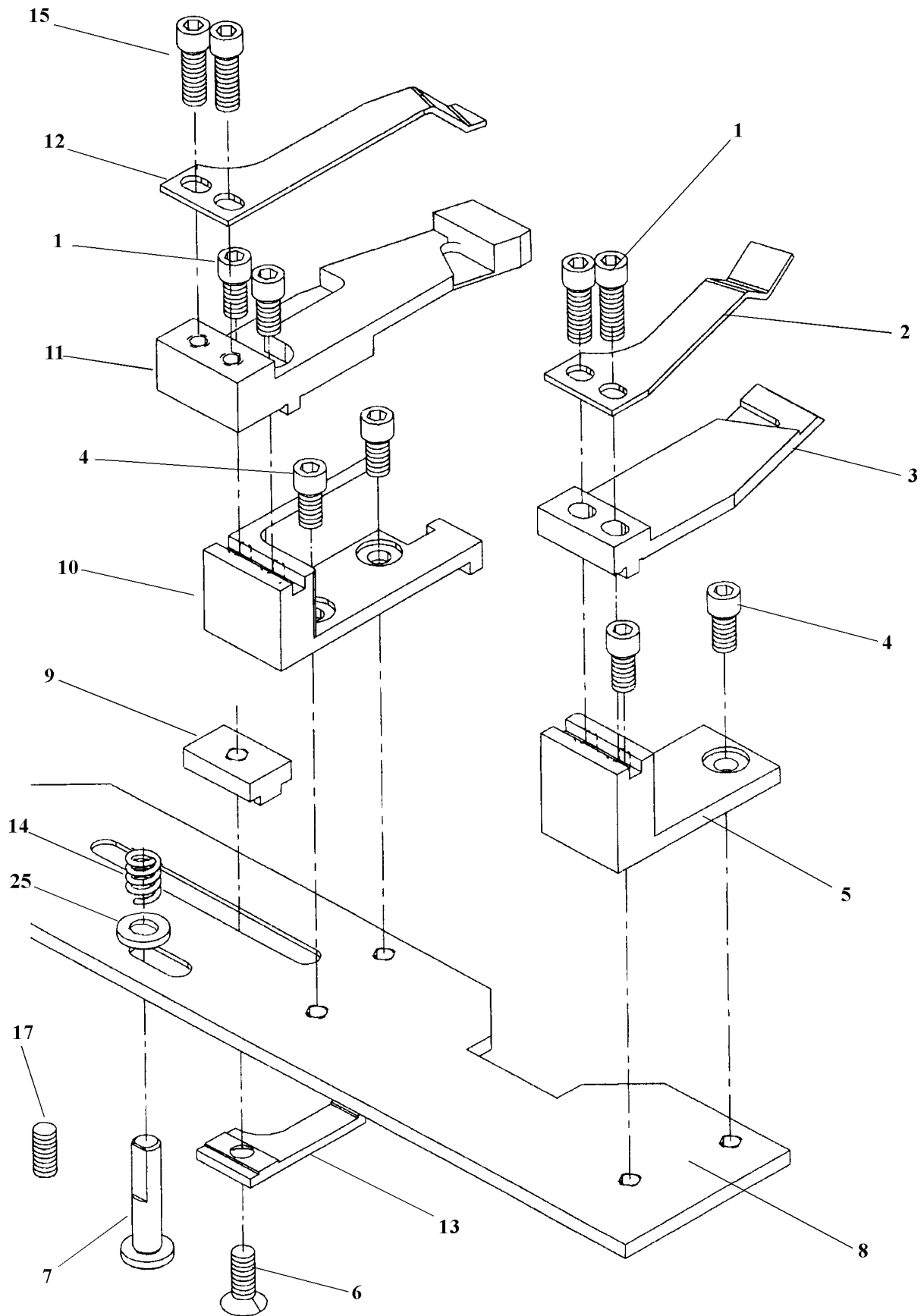
DET	PART NUMBER	DESCRIPTION
01	24.0003.0.000	Trimmer Pivot
02	24.0004.0.000	Trimmer Clamp Lever
03	08.6000.4.012	M4 x 12 Screw
04	07.6045.0.042	E-Clip
05	24.0005.0.000	Clevis Cylinder
06	24.0080.0.000	Trimmer Shaft Assembly
07	12.1045.3.001	E-Clip
08	08.6700.4.000	M4 Nut
09	20.0093.2.004	Trimmer Hook
10	20.0092.0.004	Trimmer Actuator
11	01.2386.0.000	3/16-36 x .5 Hex Screw
12	24.0050.0.000	Trimmer Cylinder
13	24.0006.0.000	Pivot Cylinder
14	12.0008.3.411	Connector
15	12.0008.3.416	Air Tubing
16	08.6850.4.000	Washer

Revised 01/2005

e-mail: [service@amfreece.cz](mailto:service@amfreece.cz); [parts@amfreece.cz](mailto:parts@amfreece.cz); website: [www.amfreece.com](http://www.amfreece.com)

Phones: +420 582 309 146 (Service), +420 582 309 286 (Spare Parts); Fax: +420 582 360 606

# SHIFTER MECHANISM



3-8

Revised 01/2005

e-mail: [service@amfreece.cz](mailto:service@amfreece.cz); [parts@amfreece.cz](mailto:parts@amfreece.cz); website: [www.amfreece.com](http://www.amfreece.com)  
Phones: +420 582 309 146 (Service), +420 582 309 286 (Spare Parts); Fax: +420 582 360 606

**SHIFTER MECHANISM**

---

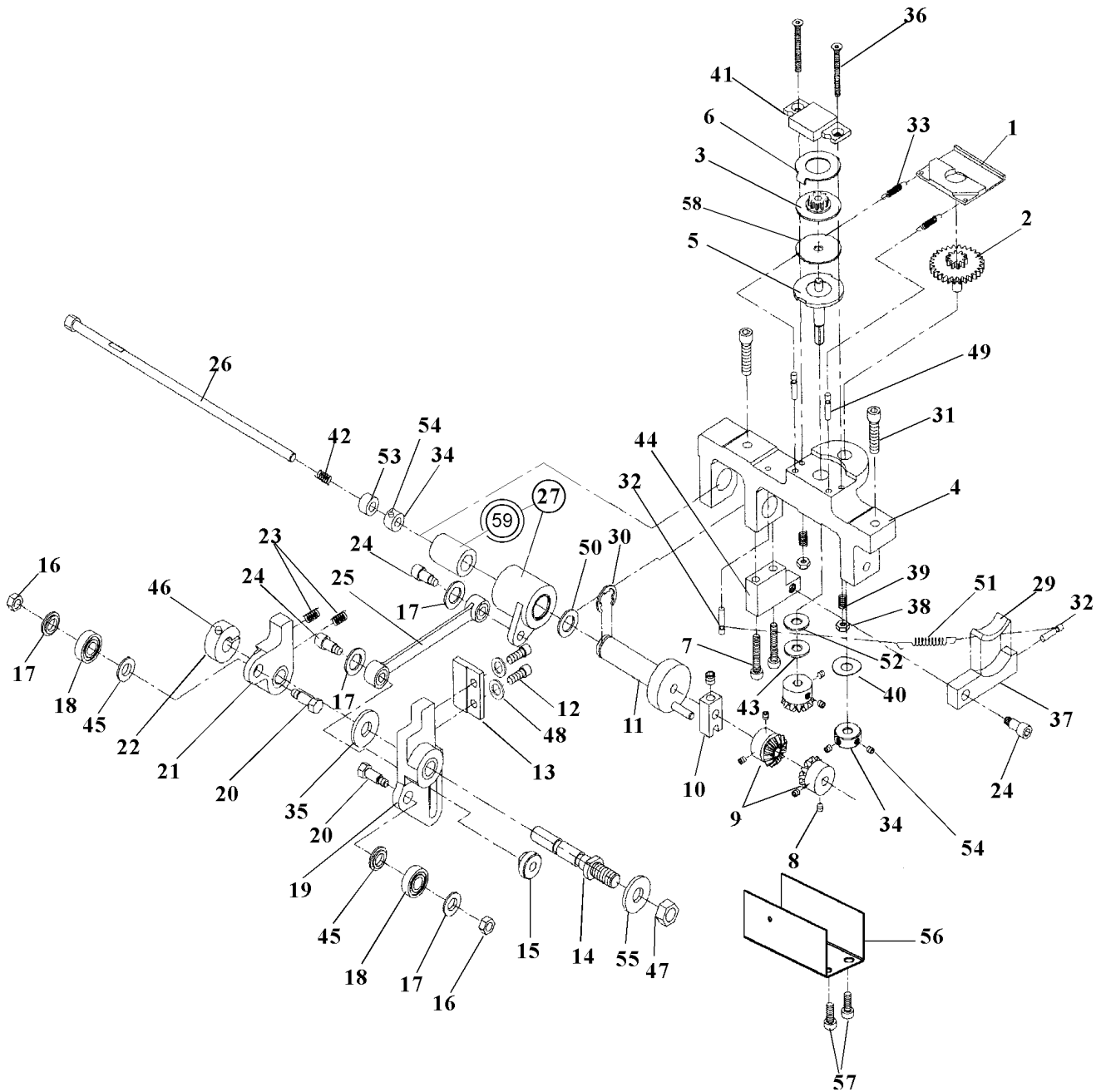
DET	PART NUMBER	DESCRIPTION
01	08.6000.4.016	M4 x 16 Screw
02	22.2657.0.000	Right Shifter Arm Spring
03	22.2656.0.000	Right Shifter Arm
04	08.6000.4.005	M4 x 5 Screw
05	22.2655.0.000	Right Shifter Block
06	08.6100.4.006	M4 x 6 Screw
07	22.0400.0.000	Spring Load Pin
08	22.2665.0.000	Main Cam Shifter Plate
09	22.0405.0.000	Adjustable Link Nut
10	22.2651.0.000	Left Shifter Block
11	22.2652.0.000	Left Shifter Arm
12	22.2653.0.000	Left Shifter Arm Spring
13	22.2664.0.000	Buttonhole Adjusting Link
14	07.6440.0.040	Spring
15	08.6000.4.010	M4 x 10 Screw
17	08.6400.4.005	M4 x 5 Set Screw
25	08.6887.5.000	Washer

Revised 01/2005

e-mail: [service@amfreece.cz](mailto:service@amfreece.cz); [parts@amfreece.cz](mailto:parts@amfreece.cz); website: [www.amfreece.com](http://www.amfreece.com)

Phones: +420 582 309 146 (Service), +420 582 309 286 (Spare Parts); Fax: +420 582 360 606

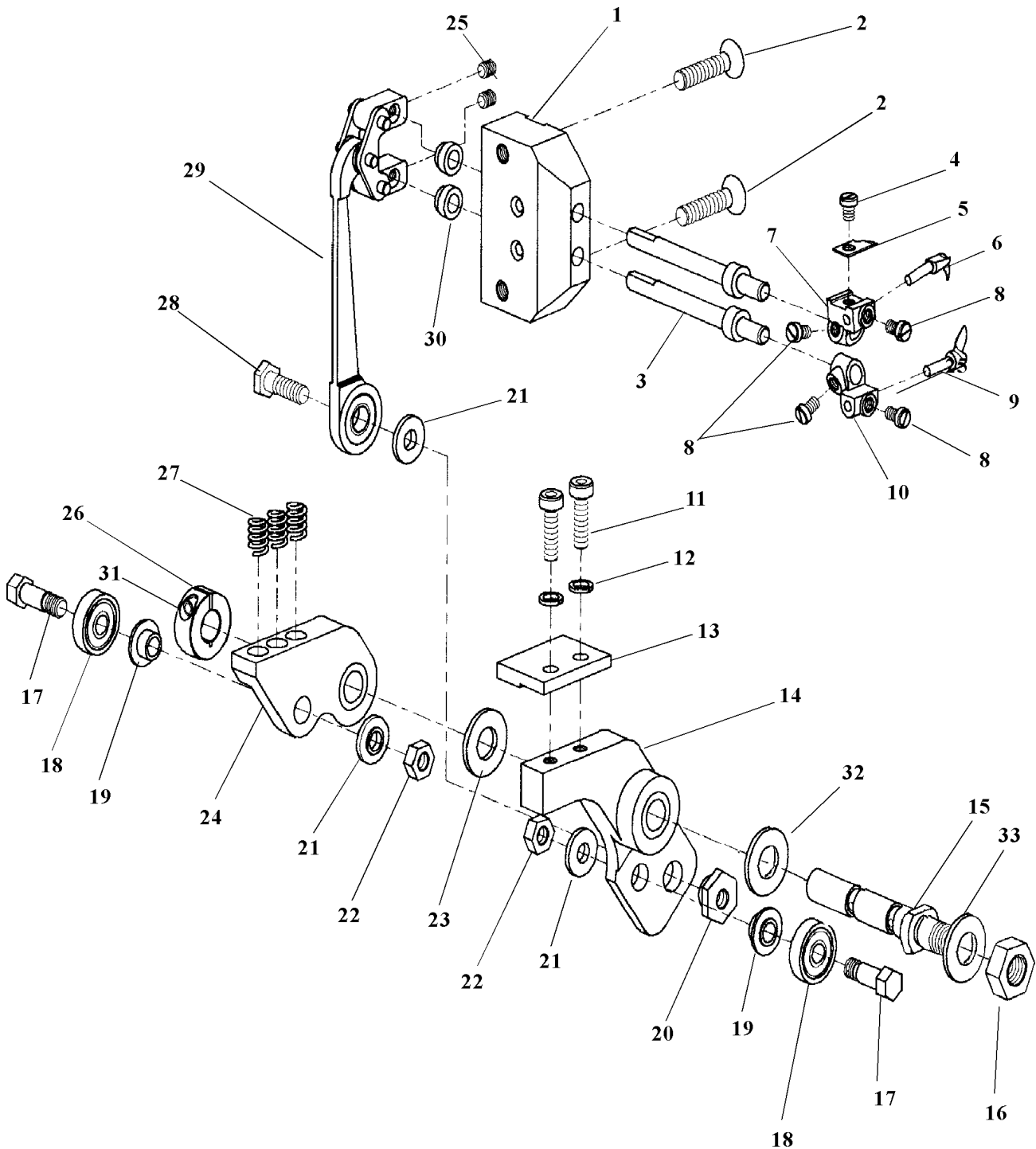
**FEED MECHANISM**



**FEED MECHANISM**

DET	PART NUMER	DESCRIPTION	DET	PART NUMER	DESCRIPTION
01	22.0061.0.000	Clamp Plate Gear Rack Retainer	31	08.6000.5.020	M5 x 20 Screw
02	24.0351.0.000	Feed Gear Assembly	32	07.6045.0.009	3 x 12mm Pin
03	22.0354.0.000	Slip Clutch Feed Gear	33	07.6440.0.033	Spring
04	22.0315.0.000	Feed Shaft Bracket	34	24.0049.0.000	Set Collar
05	22.0312.0.000	Slip Clutch Feed Shaft	35	22.0232.0.000	Washer
06	22.0121.0.000	Slip Clutch Drive Washer	36	08.6100.3.030	M3 x 30 Screw
07	08.6000.4.025	M4 x 25 Screw	37	22.0309.0.000	Feed Brake
08	08.6400.4.005	M4 x 5 Set Screw	38	08.6733.3.000	M3 Lock Nut
09	22.0353.0.000	Steel Bevel Gear	39	07.6440.0.028	Spring
10	22.0370.0.000	Feed Shaft Drive Bushing Crank	40	17.0019.2.057	Lockwasher
11	22.0336.0.000	Feed Shaft Drive Bushing	41	22.0114.0.000	Feed Brake Pressure Plate
12	08.6000.4.014	M4 x 14 Screw	42	07.6440.0.041	Spring
13	22.0021.0.000	Spring Retain Block	43	22.0186.0.000	Washer Dia. 5.2/15-0.2
14	22.0022.0.000	Pivot Shaft	44	22.0049.0.000	Feed Brake Mounting Block
15	22.0110.0.000	M5 Shoulder Nut	45	22.0031.0.000	Bearing Spacer
16	08.6710.5.000	M5 Nut	46	08.6000.3.010	M3 x 10 Screw
17	22.0100.0.000	Shoulder Washer	47	08.6700.8.000	M8 Nut
18	07.6321.0.025	Cam Follower Bearing	48	08.6800.4.000	M4 Lockwasher
19	24.0127.0.000	R.H. Feed Cam Follower	49	07.6045.0.037	M3 x 16 Grooved Pin
20	22.0032.0.000	Looper Feed Foll.Bearing Screw	50	17.0019.0.517	Washer
21	22.0026.0.000	L.H. Feed Cam Follower	51	07.6440.0.050	Spring
22	22.0183.0.000	Collar Dia. 8	52	22.0208.0.000	Flat Washer
23	07.6440.0.018	Compression Spring	53	22.0228.0.000	Collar
24	22.0184.0.000	M5 x 8 Screw	54	08.6400.5.305	M5 x 0,5 - 5 Set Screw
25	22.0305.0.000	Feed Connecting Link	55	08.6850.8.000	M8 Flat Washer
26	22.0325.0.000	Feed Shaft	56	24.2035.0.000	Gear Cover
27	22.0320.0.000	Feed Shaft Bearing Housing	57	08.6000.4.005	M4 x 5 Screw
28	08.6400.5.005	M5 x 5 Set Screw	58	24.0126.0.000	Friction Washer
29	22.0313.0.000	Feed Brake Pad	59	07.6321.0.030	Bearing
30	07.6045.0.034	E-Ring			

**LOOPER MECHANISM**



## LOOPER MECHANISM

---

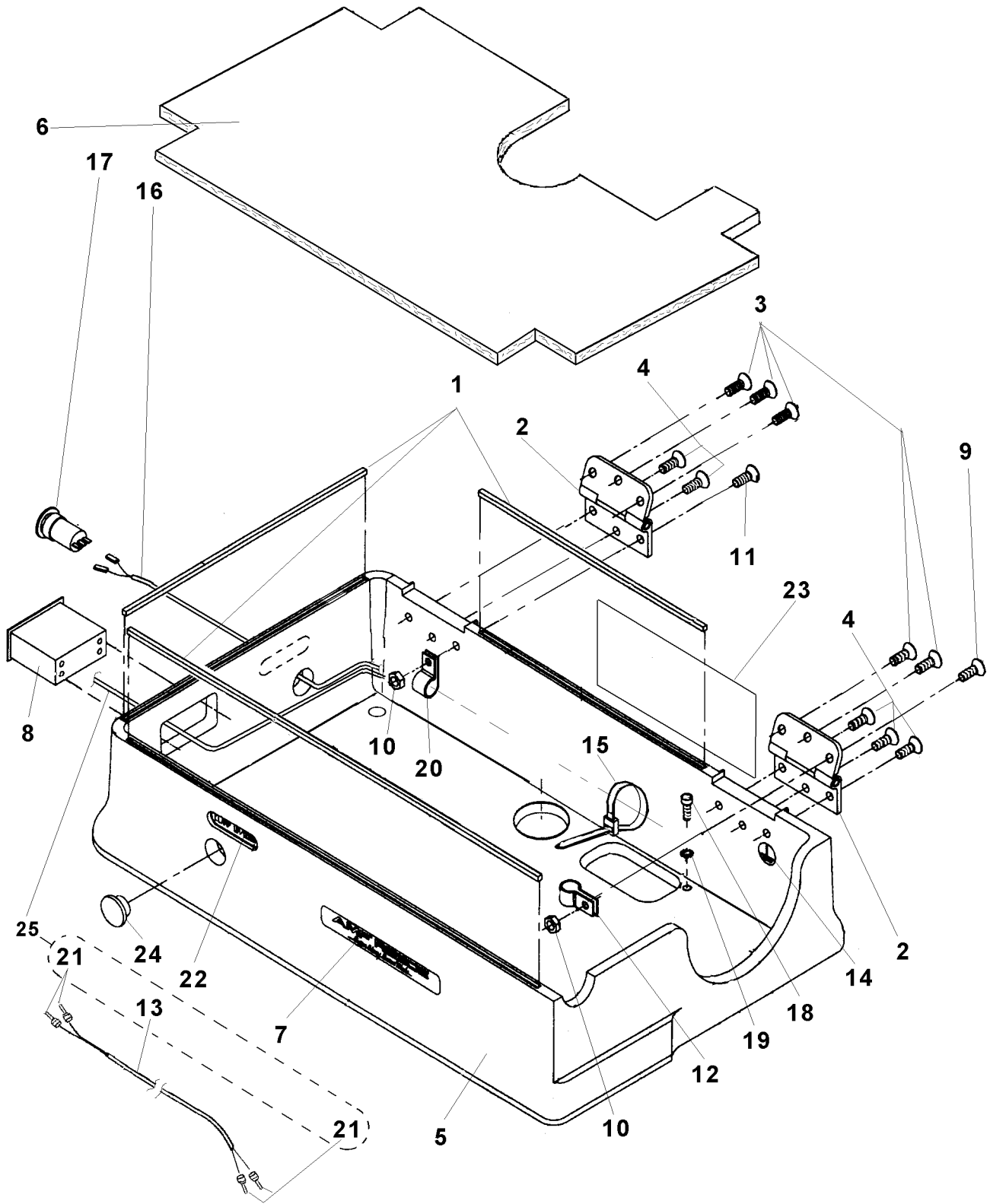
DET	PART NUMBER	DESCRIPTION
01	22.2410.0.000	Looper Shaft Block
02	08.6100.5.020	M5 x 20 Screw
03	22.2440.0.000	Looper Shaft
04	01.1382.0.000	Screw
05	20.0094.0.000	Trimmer Knife
06	20.0111.0.000	First Looper
07	23.2106.0.000	First Looper Holder
08	01.1397.0.000	Screw
09	20.0112.0.000	Second Looper
10	23.2107.0.000	Second Looper Holder
11	08.6000.4.014	M4 x 14 Screw
12	08.6800.4.000	M4 Lockwasher
13	22.0021.0.000	Spring Retainer Block
14	22.0023.0.000	R.H. Looper Cam Follower Plate
15	22.0022.0.000	Pivot Shaft
16	08.6700.8.000	M8 Hex Nut
17	24.0066.0.000	Looper Feed Follower Bearing Screw
18	12.2010.1.002	Cam Follower Bearing
19	22.0031.0.000	Bearing Spacer
20	22.0105.0.000	Looper Eccentric Nut
21	22.0100.0.000	Shoulder Washer
22	08.6710.5.000	M5 Hex Nut
23	22.0232.0.000	Flat Washer
24	22.0024.0.000	Looper Cam Follower Plate
25	08.6400.4.004	M4 x 4 Set Screw
26	22.0183.0.000	Collar
27	07.6440.0.036	Compression Spring
28	22.0064.0.000	Bite Shoulder Screw
29	22.2425.0.050	Looper Link Assembly
30	22.2442.0.000	Looper Spacer
31	08.6000.3.010	M3 x 10 Screw
32	22.0233.0.000	Flat Washer
33	08.6850.8.000	M8 Flat Washer

Revised 01/2005

e-mail: [service@amfreece.cz](mailto:service@amfreece.cz); [parts@amfreece.cz](mailto:parts@amfreece.cz); website: [www.amfreece.com](http://www.amfreece.com)

Phones: +420 582 309 146 (Service), +420 582 309 286 (Spare Parts); Fax: +420 582 360 606

**BASE**





**BASE**

---

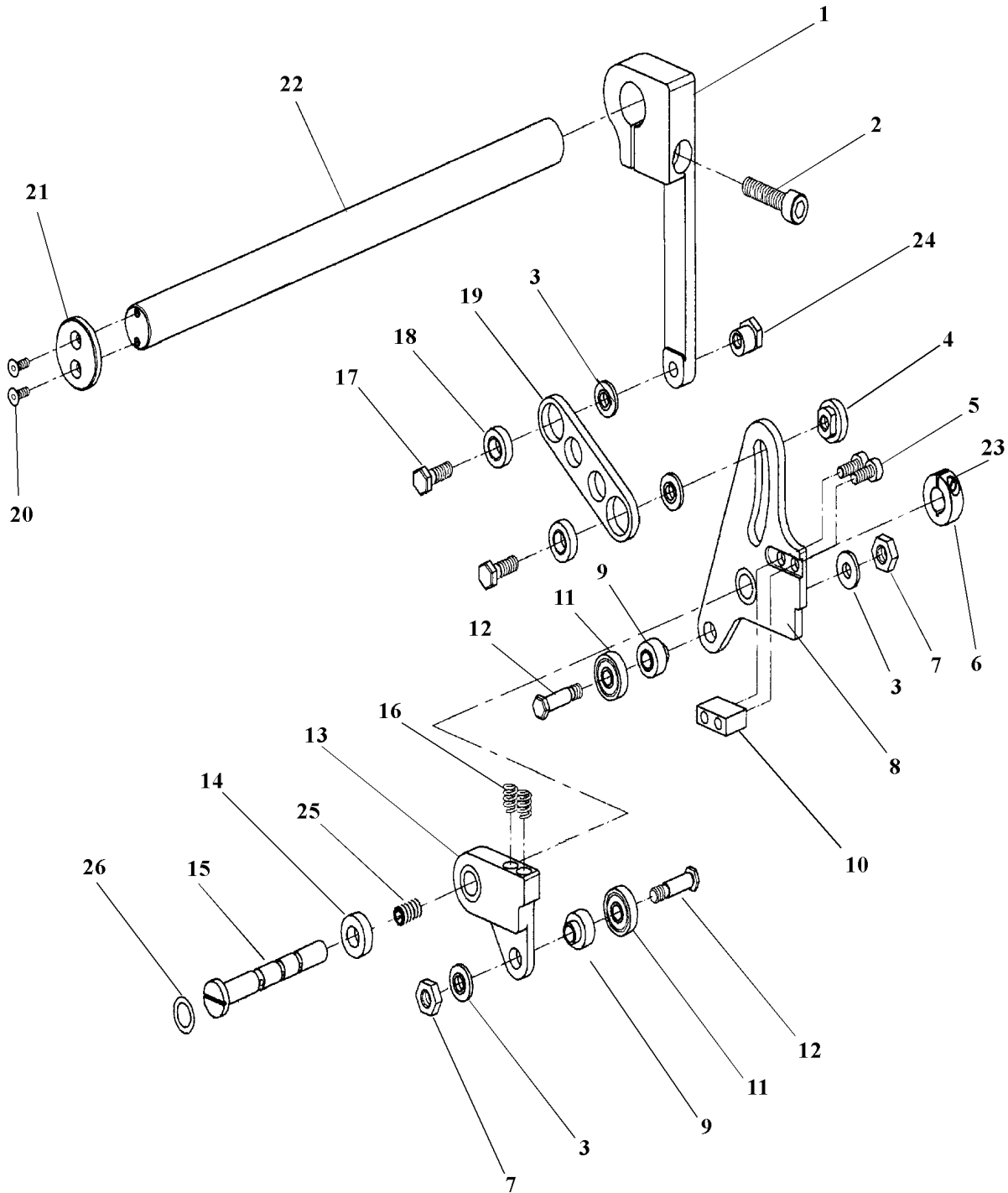
DET	PART NUMBER	DESCRIPTION
01	24.0038.0.000	Base Gasket
02	22.1010.0.000	Base Hinge
03	08.6100.5.012	M5 x 12 Screw
04	08.6200.5.012	M5 x 12 Screw
05	24.6005.0.000	Base
06	24.0111.0.000	Base Sound Deadener
07	05.1391.0.000	Logo Plate
08	12.0008.4.399	Cycle Counter
09	08.6100.5.020	M5 x 20 Screw
10	08.6700.5.000	M5 Nut
11	08.6200.5.020	M5 x 20 Screw
12	12.0008.4.197	Air Tubing Bracket
13	12.0008.4.305	Cycle Counter Cable
14	12.0008.4.052	Label ""Ground""
15	12.0008.3.023	Tywrap
16	12.0008.4.192	Clamp Up/Down Cable
17	12.0008.4.235	Clamp Up/Down Push Button
18	08.6012.4.010	M4 x 10 Screw
19	08.6832.4.000	M4 Serrated Lockwasher
20	12.0008.4.279	Plastic Cable Fitting
21	12.0008.4.145	Cable End Connector
22	12.8000.0.188	Clamp Up/Down Label
23	17.0097.5.181	CE"" Label
24	12.0008.6.920	Plug
25	24.0059.9.004	Cycle Counter Cable Assembly

Revised 01/2005

e-mail: [service@amfreece.cz](mailto:service@amfreece.cz); [parts@amfreece.cz](mailto:parts@amfreece.cz); website: [www.amfreece.com](http://www.amfreece.com)

Phones: +420 582 309 146 (Service), +420 582 309 286 (Spare Parts); Fax: +420 582 360 606

# BITE MECHANISM



**BITE MECHANISM**

---

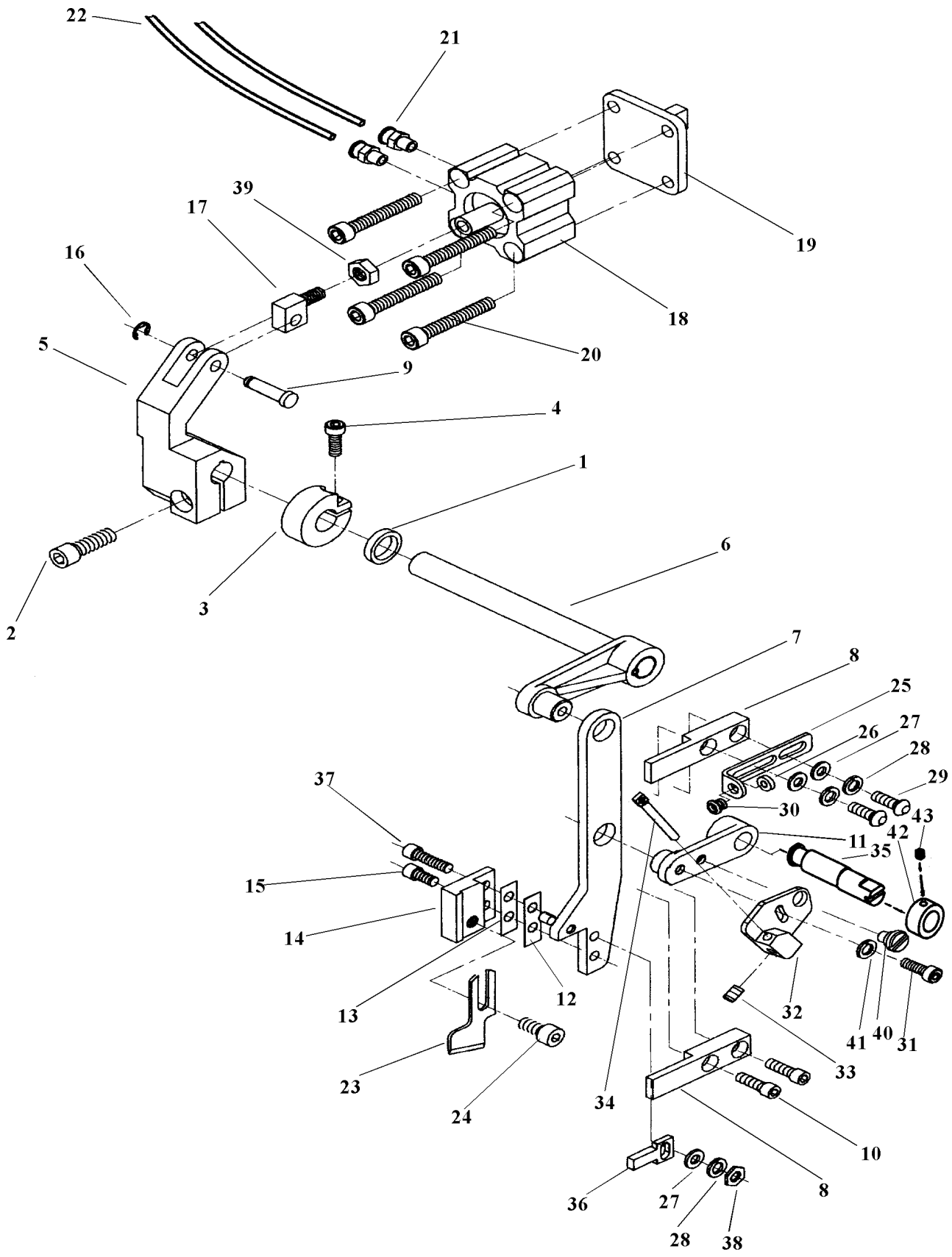
DET	PART NUMBER	DESCRIPTION
01	22.0008.0.000	Bite Lever
02	08.6000.6.025	M6 x 25 Screw
03	22.0100.0.000	Shoulder Washer
04	22.0110.0.000	M5 Shoulder Nut
05	08.6000.4.014	M4 x 14 Screw
06	22.0183.0.000	Collar*Dia. 8
07	08.6700.5.000	M5 Hex Nut
08	22.0033.0.000	Left Cam Follower
09	22.0029.0.000	Bite Follower Bearing Spacer
10	22.0030.0.000	Bite Follower Spring Retainer
11	07.6321.0.025	Bearing
12	22.0028.0.000	Bite Follower Bearing Screw
13	22.0027.0.000	Right Cam Follower
14	22.0069.0.000	Bite Follower Spacer
15	22.0020.0.000	Bite Pivot Shaft
16	07.6440.0.028	Compression Spring
17	22.0064.0.000	Bite Shoulder Screw
18	07.6321.0.029	Bearing
19	22.0009.0.000	Bite Adjusting Link
20	08.6100.3.008	M3 x 8 FH Screw
21	22.0063.0.000	Bite Shaft Retainer
22	22.0005.0.000	Bite Shaft
23	08.6000.3.010	M3 x 10 Screw
24	22.0214.0.000	M5 Eccentric Nut
25	08.6400.4.005	M4 x 5 Set Screw
26	12.0008.6.800	Rubber Ring

Revised 01/2005

e-mail: [service@amfreece.cz](mailto:service@amfreece.cz); [parts@amfreece.cz](mailto:parts@amfreece.cz); website: [www.amfreece.com](http://www.amfreece.com)

Phones: +420 582 309 146 (Service), +420 582 309 286 (Spare Parts); Fax: +420 582 360 606

**KNIFE MECHANISM**



**KNIFE MECHANISM**

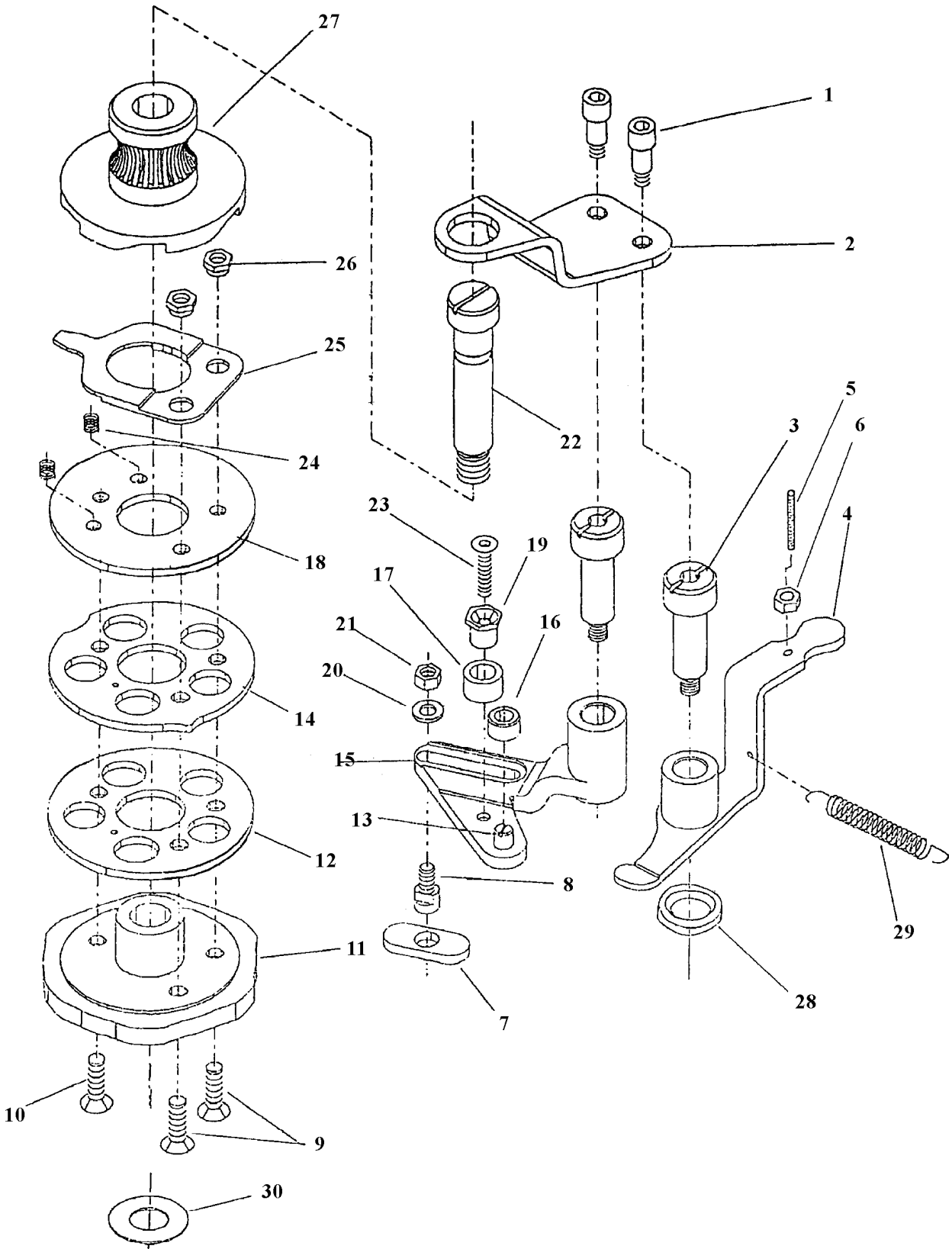
DET	PART NUMER	DESCRIPTION
01	24.0009.0.000	Washer
02	08.6000.5.016	M5 x 16 Screw
03	24.0010.0.000	Clamp Collar
04	08.6000.4.010	M4 x 10 Screw
05	24.0011.0.000	Knife Drive Lever
06	22.1415.0.050	Knife Lever Assembly
07	22.1430.0.901	Knife Holder
08	22.1436.0.000	Knife Cover Cross Bar
09	24.0014.0.000	Pivot
10	08.6000.4.016	M4 x 16 Screw
11	24.0062.0.000	Knife Guide Link
12	22.1442.0.000	Knife Shim*.10mm
13	22.1443.0.000	Knife Shim*.05mm
14	22.1426.0.000	Knife Holder Shim Block
15	08.6000.4.006	M4 x 6 Screw
16	07.6045.0.042	E-Clip
17	24.0037.0.000	Draw Bar Cylinder
18	12.0008.3.408	Cylinder Knife
19	24.0039.0.000	Knife Bracket
20	08.6000.5.040	M5 x 40 Screw
21	12.0008.3.409	Connector
22	12.0008.3.416	Air Tubing
23	23.2356.2.052	Knife*13mm
24	08.6000.5.008	M5 x 8 Screw
25	22.0046.0.000	Thread Guide Bracket
26	01.6551.0.000	Retaining Ring
27	08.6850.4.000	M4 Flat Washer
28	08.6800.4.000	M4 Lockwasher
29	08.6200.4.016	M4 x 16 Screw
30	01.7447.1.000	Porcelain Guide
31	08.6000.3.006	M3 x 6 Screw
32	24.0063.0.000	Thread Draw-Off
33	08.6400.4.004	M4 x 4 Set Screw
34	22.0091.0.000	Thread Take-Up
35	24.0093.0.000	Pivot Eccentric
36	22.0145.0.000	Knife Stop
37	08.6000.4.012	M4 x 12 Screw
38	08.6700.4.000	M4 Nut
39	08.6710.6.000	M6 Nut
40	24.0061.0.000	Shoulder Screw
41	08.6850.3.000	M3 Washer
42	24.0094.0.000	Collar
43	08.6400.3.003	M3x3 Screw

Revised 01/2005

e-mail: [service@amfreece.cz](mailto:service@amfreece.cz); [parts@amfreece.cz](mailto:parts@amfreece.cz); website: [www.amfreece.com](http://www.amfreece.com)

Phones: +420 582 309 146 (Service), +420 582 309 286 (Spare Parts); Fax: +420 582 360 606

# MAIN CAM



**MAIN CAM**

---

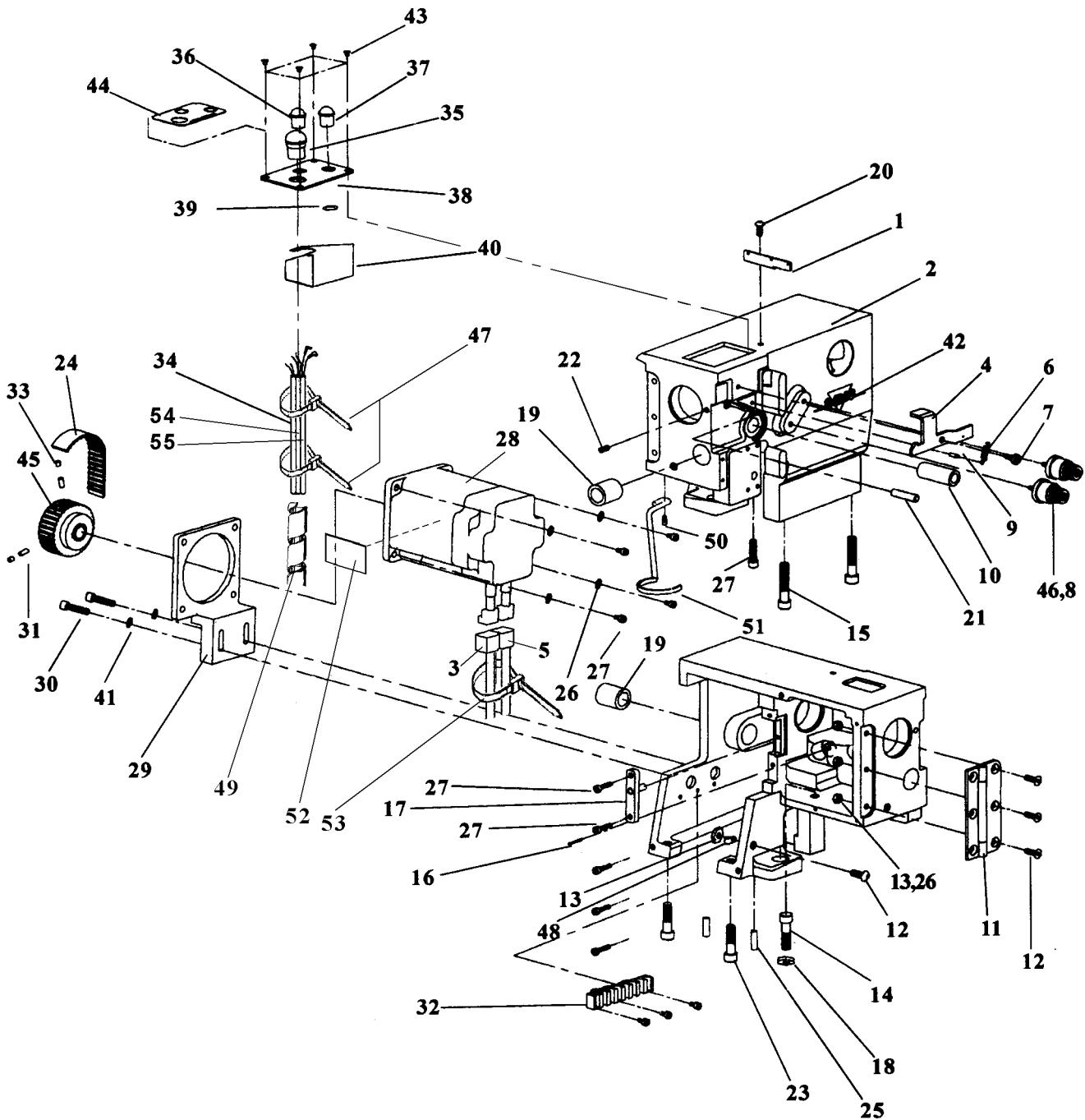
DET	PART NUMBER	DESCRIPTION
01	22.0182.0.000	M5 x 4 Screw
02	22.0097.0.000	Main Cam Brace
03	22.0106.0.000	Hub Shoulder Screw
04	22.2640.0.050	Feed Reversing Lever
05	08.6400.3.020	M3 x 20 Set Screw
06	08.6700.3.000	M3 Nut
07	22.2631.0.000	Clamp Plate Slidestone
08	22.2633.0.000	Slidestone Retaining Screw
09	22.0137.0.000	M5 x 14 Screw
10	08.6100.5.010	M5 x 10 Screw
11	22.2600.0.000	Barring Cam
12	22.3069.0.000	Spacer
13	22.2637.0.000	Barring Lever Stud
14	22.2620.0.000	Feed Reversing Cam
15	22.2630.0.000	Barring Lever
16	22.2639.0.000	Barring Lever Roller
17	22.2638.0.000	Barring Lever Roller
18	24.0041.0.000	Washer
19	22.2635.0.000	Barring Lever Eccentric
20	08.6850.5.000	M5 Washer
21	08.6700.5.000	M5 Nut
22	22.2610.0.000	Main Cam Shoulder Screw
23	08.6100.4.012	M4 x 12 Screw
24	07.6440.0.037	Spring
25	22.2626.0.000	Drive Disk Switch Spring
26	22.2627.0.000	Shoulder Nut
27	22.2607.0.000	Drive Disk/Worm Gear Hub
28	22.3003.0.000	Spacer
29	07.6440.0.045	Extension Spring
30	07.6321.0.001	Thrust Washer

Revised 01/2005

e-mail: [service@amfreece.cz](mailto:service@amfreece.cz); [parts@amfreece.cz](mailto:parts@amfreece.cz); website: [www.amfreece.com](http://www.amfreece.com)

Phones: +420 582 309 146 (Service), +420 582 309 286 (Spare Parts); Fax: +420 582 360 606

**HEAD ASSEMBLY**





## HEAD ASSEMBLY

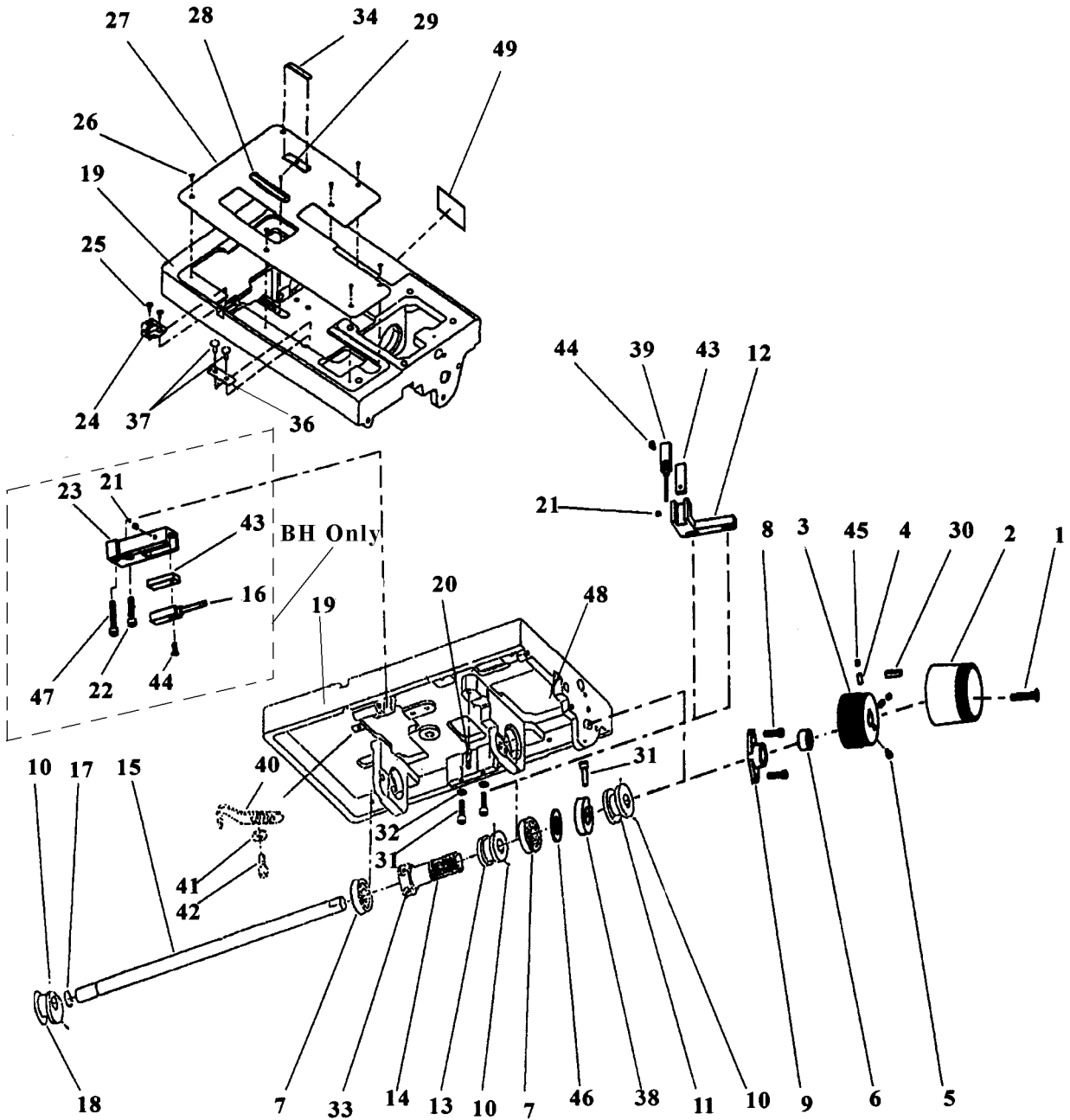
DET	PART NUMBER	DESCRIPTION
01	22.0054.0.000	Upper Thread Guide
02	24.6000.0.000	S4000 Head
03	12.0008.4.184	Encoder Cable
04	22.0058.0.000	Sewing Head Latch
05	12.0008.4.183	Motor Power Cable
06	07.6440.0.051	Latch Tension Spring
07	22.0062.0.000	M4 x 3 Screw
08	23.2044.0.050	Large Tension Assembly
09	07.6045.0.037	3 x 16 Grooved Pin
10	22.1422.0.000	Knife Shaft Bushing
11	22.6002.0.000	Head Hinge Assembly
12	08.6100.5.020	M5 x 20 Screw
13	08.6700.5.000	M5 Nut
14	08.6310.6.035	M6 x 35 Screw
15	08.6000.8.040	M8 x 40 Screw
16	12.1010.2.003	2 x 24 Pin
17	24.0016.0.000	Cylinder Pivot Stud Assembly
18	08.6700.6.000	M6 Nut
19	01.7806.0.000	Oilite Bushing
20	08.6200.5.008	M5 x 8 Screw
21	07.6045.0.053	6 x 20 Pin
22	08.6400.5.010	M5 x 10 Screw
23	08.6000.8.025	M8 x 25 Screw
24	12.5050.2.009	Belt
25	12.1011.0.001	6 x 20 Pin
26	08.6850.5.000	M5 Washer
27	08.6000.5.016	M5 x 16 Screw
28	12.0008.4.182	DC Motor
29	24.0017.0.000	Motor Bracket
30	08.6000.6.025	M6 x 25 Screw
31	08.6400.5.008	M5x8 Set Screw
32	12.0008.3.156	Air Tubing Clamp
33	08.6400.5.005	M5 x 5 Set Screw
34	12.0008.4.192	Cable with Jumpers
35	12.0008.4.185	Emergency Stop Switch
36	12.0008.4.186	Emergency Stop Lamp (Red)+24V
36	24.0059.0.020	Emergency Stop Lamp (Red)+24V (Only CAED)
37	12.0008.4.187	Power On Lamp (Green)
38	24.0023.0.000	Panel Plate
39	12.0008.4.275	Cable Bushing
40	24.0029.0.000	Connector Cover
41	08.6850.6.000	M6 Washer
42	05.4116.0.000	S4000 Decal
43	08.6102.3.008	M3 x 8 Screw
44	12.8000.0.189	Panel Label
45	24.0047.0.000	Motor Pulley
46	17.0082.8.082	Washer
47	12.0008.3.023	Tywrap
48	12.0008.4.280	Plastic Cable Fitting
49	12.0008.4.140	Spiral Dia.8
50	08.6000.4.005	M4 x 5 Screw
51	24.0044.0.000	Needle Guard
52	12.8000.0.186	Motor Label
53	12.0008.3.023	Cable Holder
54	12.0008.4.428	Cable Emergency Stop
55	12.0008.4.429	Cable Power On

Revised 01/2005

e-mail: [service@amfreece.cz](mailto:service@amfreece.cz); [parts@amfreece.cz](mailto:parts@amfreece.cz); website: [www.amfreece.com](http://www.amfreece.com)

Phones: +420 582 309 146 (Service), +420 582 309 286 (Spare Parts); Fax: +420 582 360 606

**BEDPLATE**



**BEDPLATE**

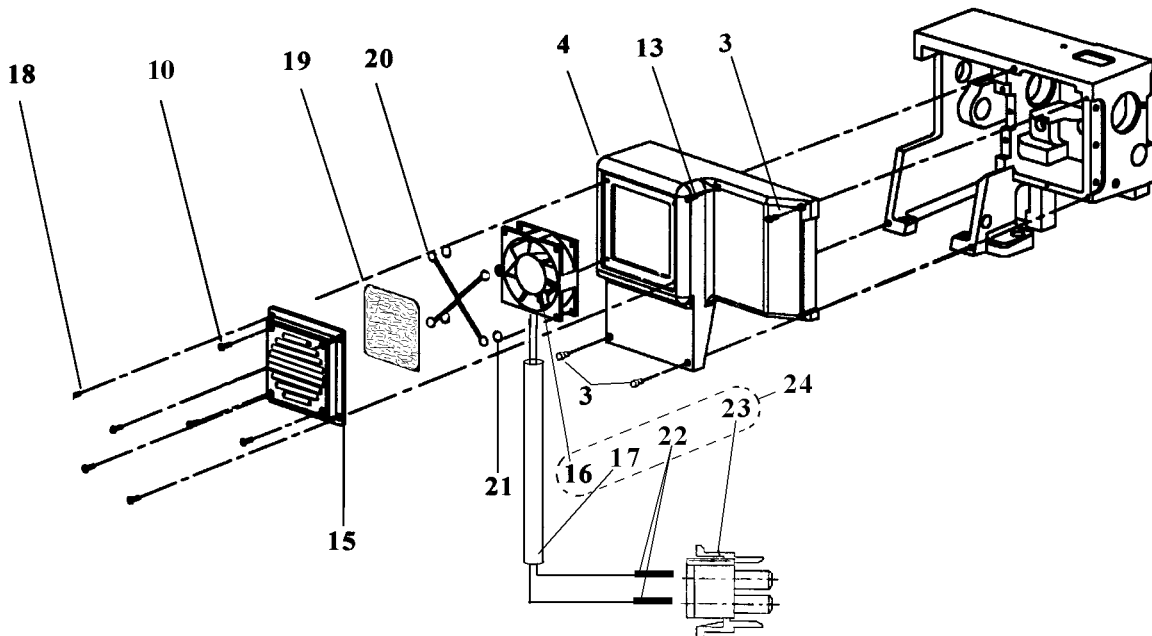
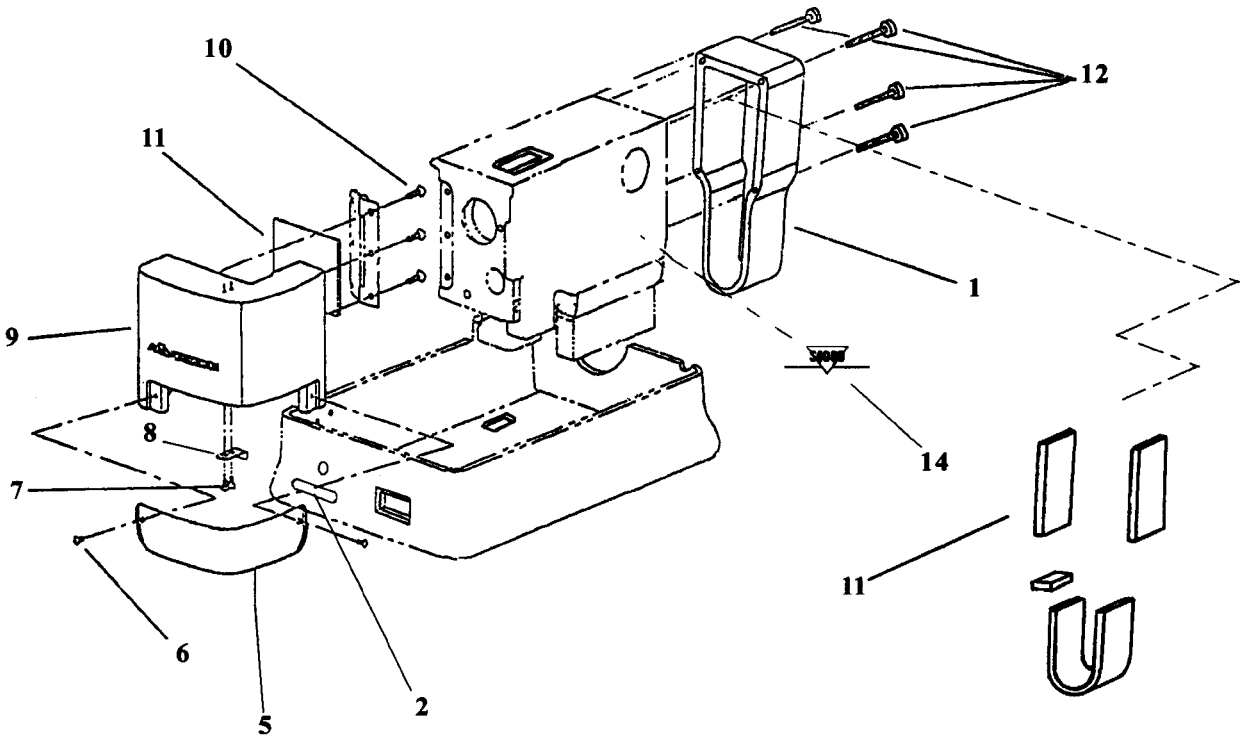
DET	PART NUMER	DESCRIPTION
01	08.6100.6.035	M6 x 35 Screw
02	24.0051.0.066	Hand Wheel
03	24.0018.0.000	Main Shaft Drive Pulley
04	08.6400.5.010	M5 x 10 Set Screw
05	08.6000.3.006	M3 x 6 Screw
06	12.2050.0.005	Bearing
07	01.7805.0.000	Shaft Bearing
08	08.6000.6.016	M6 x 16 Screw
09	24.0019.0.000	Bearing Carrier Lower Shaft
10	08.6400.5.305	M5 x 0.5-5 Set Screw
11	22.0006.0.000	Bite Cam
12	24.0020.0.000	End of Cycle Sensor Bracket
13	22.0300.0.000	Feed Cam
14	22.8400.0.000	Shaft Worm Gear
15	24.1000.0.000	Main Shaft
16	12.0008.4.181	Tension Release Sensor with Cable
17	12.1045.2.001	Retaining Ring
18	24.2400.0.000	Looper Cam
19	24.6100.0.000	Bedplate
20	07.6045.0.054	5 x 20 mm Pin
21	08.6400.3.004	M3 x 4 Set Screw
22	08.6000.4.016	M4 x 16 Screw
23	24.0021.0.000	Tension Release Sensor Bracket
24	22.0408.0.000	Trimmer Cover Plate
25	08.6100.4.006	M4 x 6 Screw
26	08.6120.3.008	M3 x 8 Screw
27	22.6101.0.000	Cover Plate
28	20.0051.1.024	Throat Plate
29	01.2084.0.000	6-52 Fill. Screw
30	12.4030.0.002	Key 5x5x30
31	08.6000.5.016	M5 x 16 Screw
32	08.6850.5.000	M5 Washer
33	22.0153.0.000	Screw
34	22.0096.0.000	Buttonhole Size Sticker
35		
36	22.0115.0.000	Stop
37	22.0143.0.000	Screw
38	24.0002.0.000	Clamp Collar
39	12.0008.4.191	End of Cycle Sensor with Cable
40	22.3219.0.000	Needle Guard
41	08.6850.4.000	M4 Washer
42	08.6000.4.006	M4 x 6 Screw
43	24.0027.0.000	Sensor Mounting Plate
44	08.6100.3.008	M3 x 8 Screw
45	08.6400.5.005	M5 x 5 Set Screw
46	22.0545.0.000	Washer
47	08.6000.4.014	M4 x 14 Screw
48	08.6400.4.004	M4 x 4 Set Screw
49	05.1394.0.000	AMF Reece Lable - small

Revised 01/2005

e-mail: [service@amfreece.cz](mailto:service@amfreece.cz); [parts@amfreece.cz](mailto:parts@amfreece.cz); website: [www.amfreece.com](http://www.amfreece.com)

Phones: +420 582 309 146 (Service), +420 582 309 286 (Spare Parts); Fax: +420 582 360 606

**COVERS**



**COVERS**

---

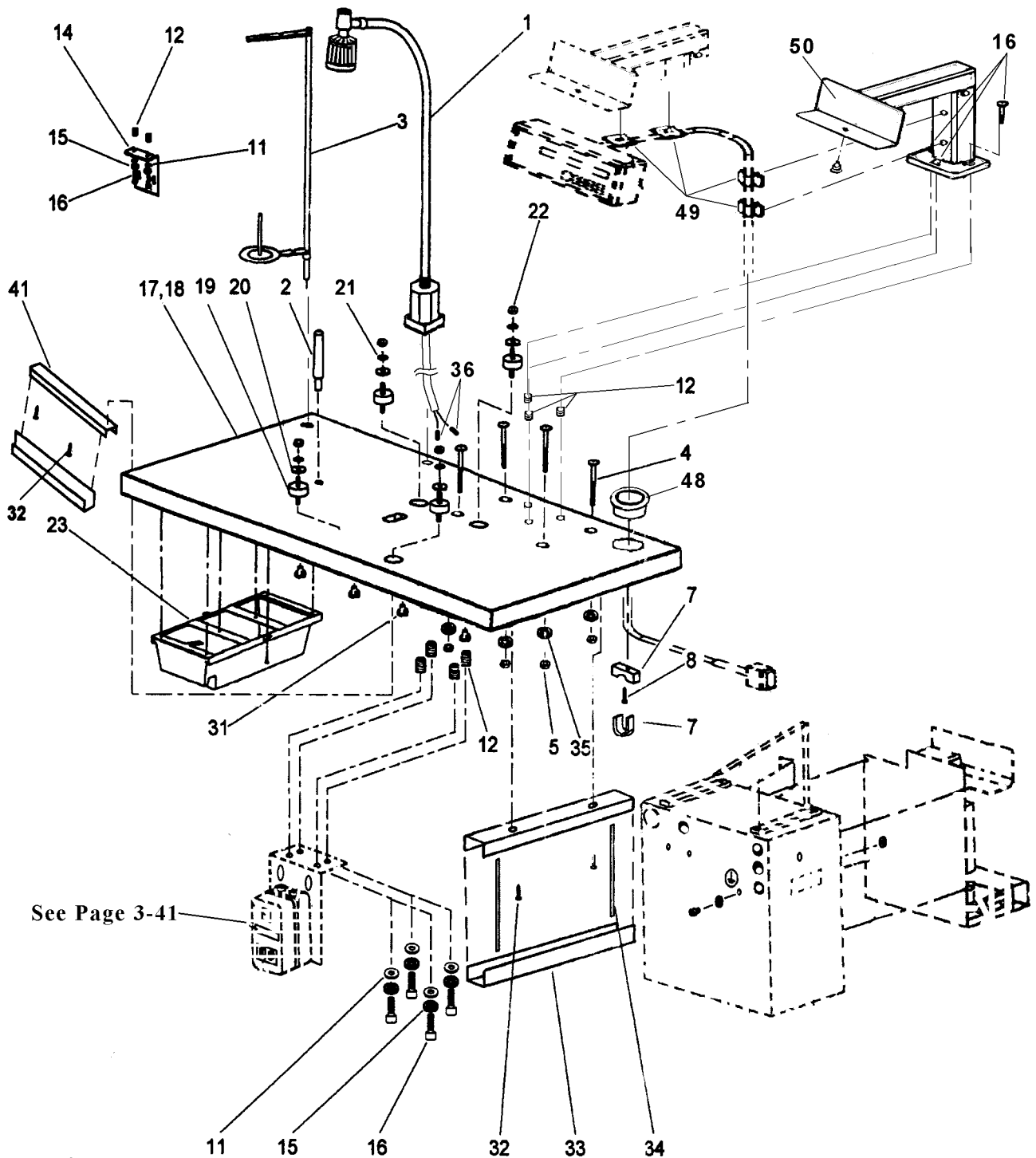
DET	PART NUMBER	DESCRIPTION
01	24.6004.0.000	Pulley Cover
02	12.8000.0.188	Clamp Up/Down Label
03	08.6000.3.016	M3 x 16 Screw
04	24.6001.0.000	Head Rear Cover
05	24.0045.0.000	Eye Shield
06	08.6200.4.008	M4 x 8 Screw
07	08.6000.4.006	M4 x 6 Screw
08	22.0057.0.000	Cover Latch
09	22.6003.0.000	Needle Bar Cover
10	08.6100.5.012	M5 x 12 Screw
11	24.0112.0.000	Cover Sound Deadener
12	08.6000.4.070	M4 x 70 Screw
13	08.6000.3.040	M3 x 40 Screw
14	05.4116.0.000	S-4000 Decal
15	24.6007.0.000	Fan Cover
16	24.0043.0.000	Fan
17	12.0008.4.142	Haet-Shrinkcable Tubing
18	08.6100.3.008	M3 x 8 Screw
19	24.0068.0.000	Net
20	24.0067.0.000	Fan Rack
21	08.6850.5.000	M5 Washer
22	12.0008.4.006	Pin
23	12.0008.4.008	Plug
24	24.0059.9.001	Fan Assembly

Revised 01/2005

e-mail: [service@amfreece.cz](mailto:service@amfreece.cz); [parts@amfreece.cz](mailto:parts@amfreece.cz); website: [www.amfreece.com](http://www.amfreece.com)

Phones: +420 582 309 146 (Service), +420 582 309 286 (Spare Parts); Fax: +420 582 360 606

# TABLES



## TABLES

---

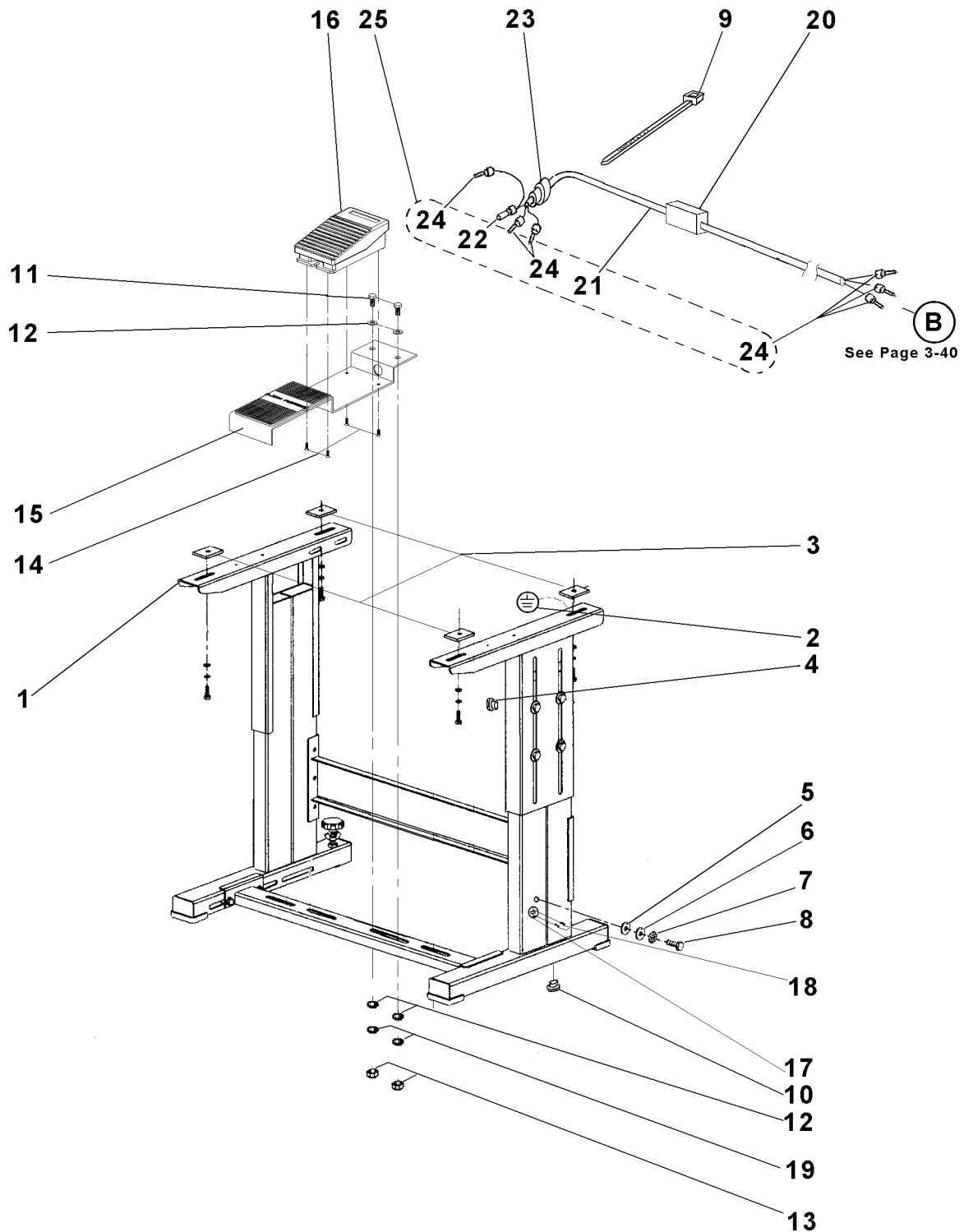
DET	PART NUMBER	DESCRIPTION
01	12.0008.4.403	Halogen Lamp Kit 12V
02	12.0008.6.900	Machine Rest Table Pin
03	22.0219.0.000	Thread Stand
04	08.6532.8.055	M8 x 55 Screw
05	08.6702.8.000	M8 Nut
07	12.0008.4.289	Cable Clamp
08	08.6632.3.020	3.5 x 20 Wood Screw
11	08.6800.6.000	M6 Washer
12	08.6752.6.000	M6 x 12 x 12 Nut
14	24.0040.0.000	Bracket
15	08.6850.6.000	M6 Washer
16	08.6000.6.020	M6 x 20 Screw
17	24.0070.0.000	S-4000 Parallel Table Top
17	24.0098.0.000	S-4000 Crosswise Table Top
17	24.0098.4.000	Table Top CAED
18	08.6752.8.000	M8 x 16 x 14 Nut
19	12.0008.6.801	Rubber Spring
20	17.0095.1.272	Washer
21	17.0019.0.441	Washer
22	08.6700.8.000	M8 Nut
23	12.0008.6.901	Drawer
31	08.6742.8.000	M8 Nut
32	08.6632.3.016	3.5 x 16 Wood Screw
33	12.0008.4.287	Latch for Cable
34	12.0008.4.290	Cable Holder
35	08.6852.8.000	M8 Washer
36	12.0008.4.210	Cable End Connector
41	12.0008.4.406	Latch for Cable
49	12.0008.4.630	Clamp
48	12.0008.4.631	Blind
50	24.0102.0.050	LCD Bracket Assembly

Revised 01/2005

e-mail: [service@amfreece.cz](mailto:service@amfreece.cz); [parts@amfreece.cz](mailto:parts@amfreece.cz); website: [www.amfreece.com](http://www.amfreece.com)

Phones: +420 582 309 146 (Service), +420 582 309 286 (Spare Parts); Fax: +420 582 360 606

**TABLES**





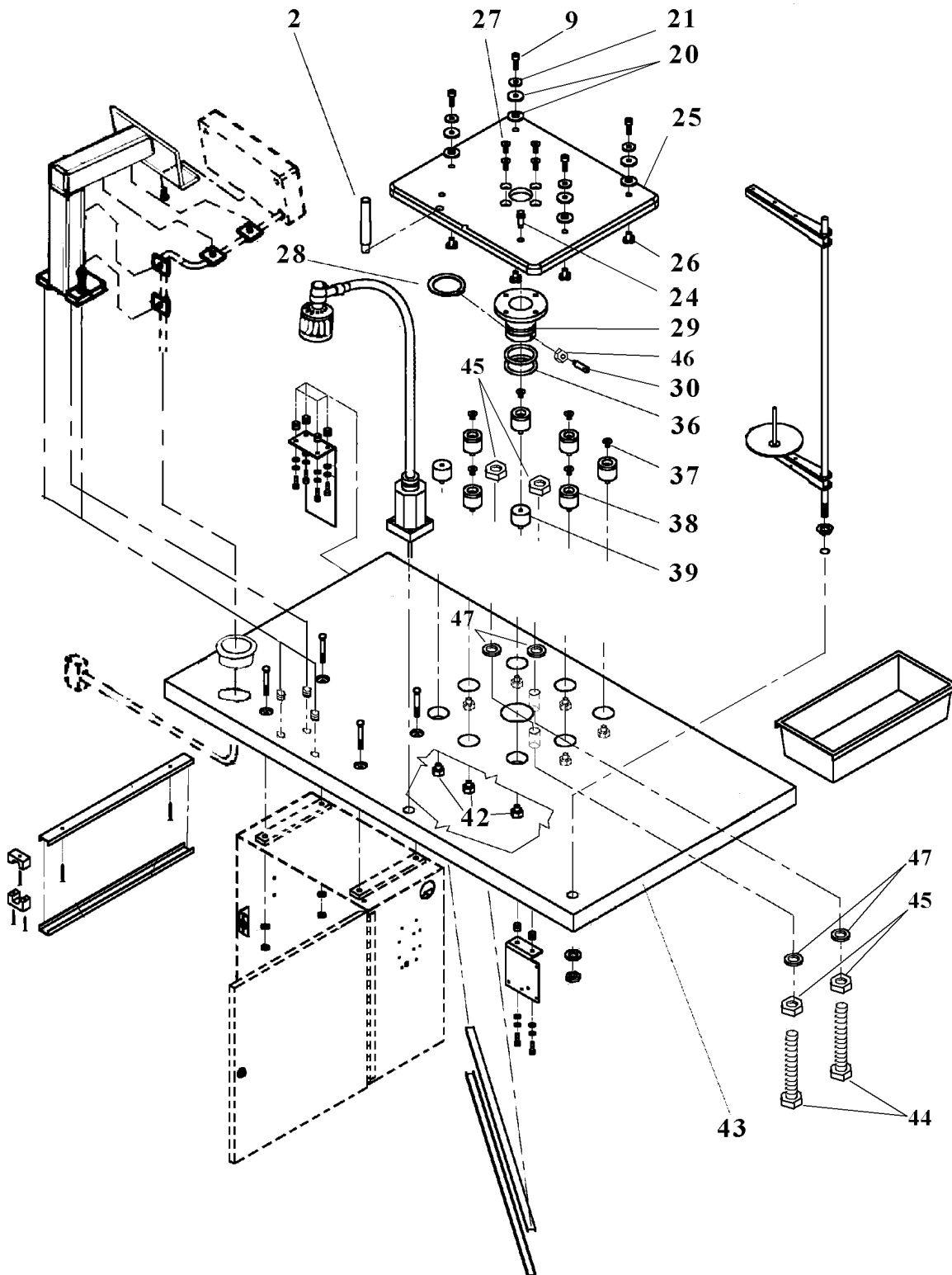
**TABLES**

---

DET	PART NUMBER	DESCRIPTION
01	04.9000.2.123	Frame Kit
02	12.0008.4.052	Label ""Ground""
03	17.0094.0.200	Washer
04	12.0008.4.214	Cable Bushing
05	08.6832.6.000	M6 Serrated Lockwasher
06	08.6852.6.000	M6 Washer
07	08.6802.6.000	M6 Washer
08	08.6014.6.025	M6 x 25 Screw
09	12.0008.3.023	Cable Binder
10	12.0008.4.471	Cable Bushing
11	08.6312.8.020	M8 x 20 Screw
12	08.6852.8.000	M8 Washer
13	08.6702.8.000	M8 Nut
14	08.6100.4.012	M4 x 12 Screw
15	24.0097.0.000	Holder Pedal
16	12.0008.4.204	Foot Pedal
17	17.0081.6.225	Label ""Ground""
18	12.1016.0.000	Screw
19	08.6802.8.000	M8 Washer
20	12.0008.4.263	Ferrite Core
21	12.0008.4.306	Foot Pedal Cable
22	12.0008.4.148	Cable End Connector
23	12.0008.4.296	Cable Bushing
24	12.0008.4.145	Cable End Connector
25	24.0059.9.005	Foot Pedal Cable Assembly

# UNIVERSAL TABLE

For standard parts, see page 3-28

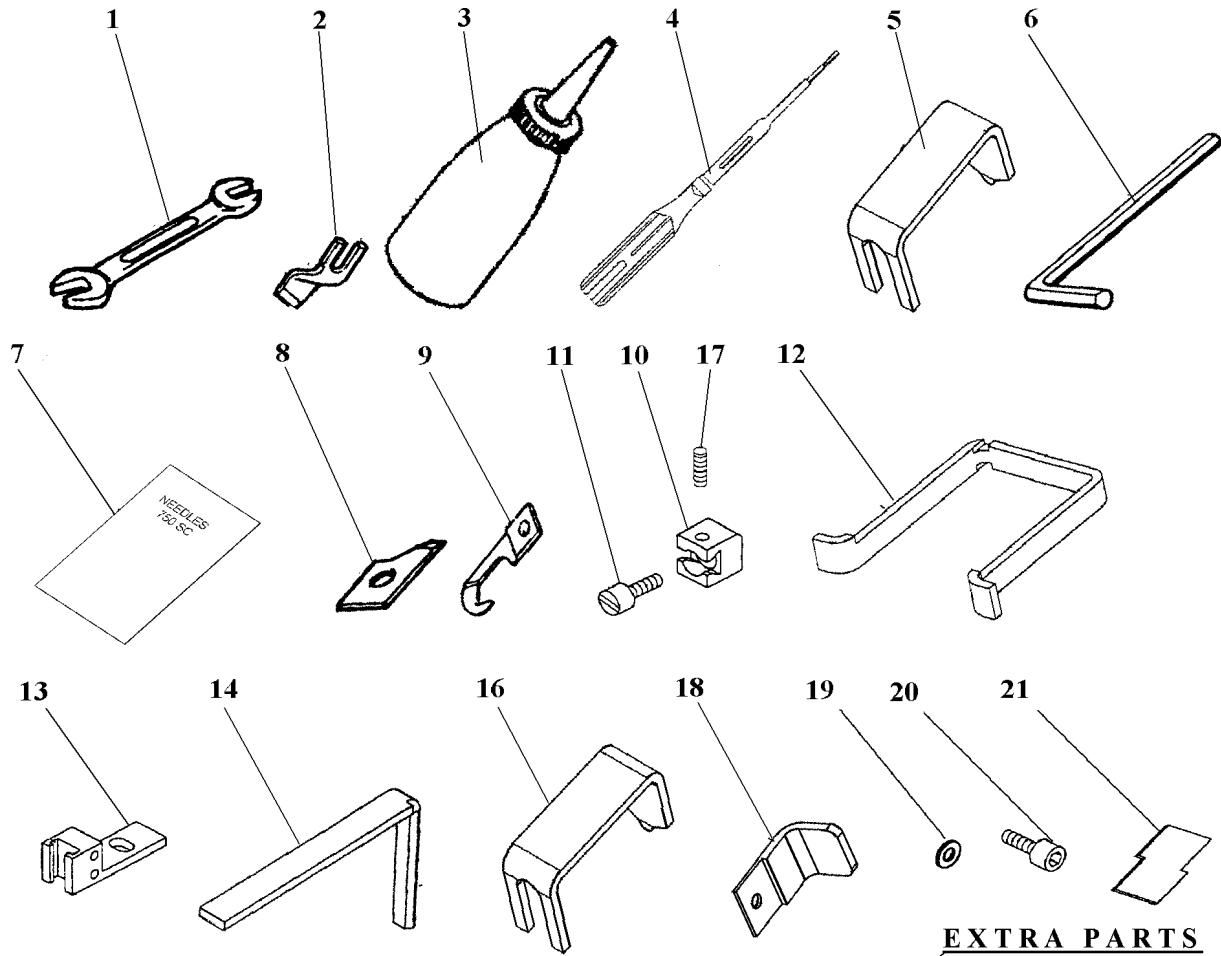


**UNIVERSAL TABLE**

---

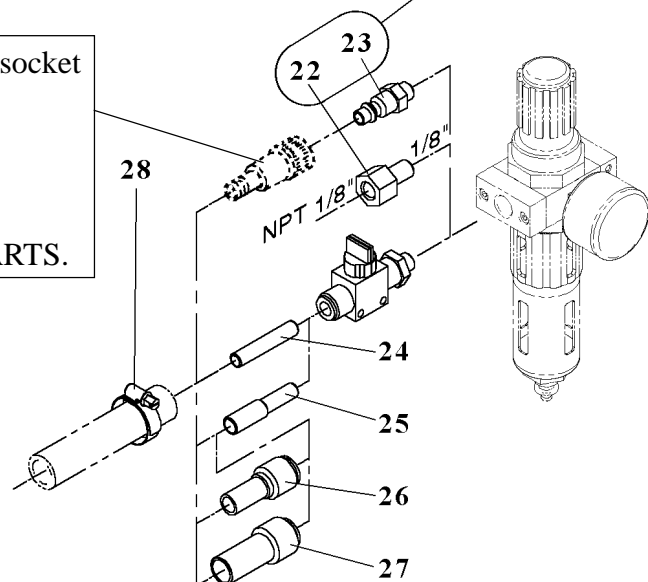
DET	PART NUMBER	DESCRIPTION
02	12.0008.6.900	Machine Rest Table Pin
09	08.6000.8.030	M8x30 Screw
12	08.6752.6.000	M6x12x12 Nut
20	17.0095.1.272	Washer
21	17.0019.0.441	Washer
24	24.0087.0.000	Shoulder Screw
25	24.0079.0.000	Base plate
26	08.6742.8.000	M8 Nut
27	08.6100.8.020	M8x20 Screw
28	12.1040.1.009	Ring 58
29	24.0086.0.000	Pivot, Base Subplate
30	24.0089.0.000	Stop Pin
36	12.0008.6.807	O Ring 50x6
37	08.6100.8.012	M8x12 Screw
38	24.0081.0.000	Bearing Disk
39	24.0084.0.000	Cylindrical Vibration Isolator
42	24.0082.0.000	Retaining Nut
43	24.0077.0.000	Table
44	08.6300.0.070	M10x70 Screw
45	08.6710.0.300	M10 Nut
46	08.6700.6.000	M6 Nut
47	08.6850.0.000	M10 Washer

**ACCESSORIES**



**EXTRA PARTS**

Simple connection for air adaptation will ensure socket of quick coupler.  
 Order number **SMC** :  
 dia 8 FBKBS0010000025MS0  
 dia 10 FBKBS000800025MS0  
 Unit has corresponding input *det 23* EXTRA PARTS.



## ACCESSORIES

---

DET	PART NUMBER	DESCRIPTION
01	12.0008.6.109	Wrench
02	23.2356.2.052	13mm Knife
02	23.2356.2.054	16mm Knife
02	23.2356.2.055	19mm Knife
03	05.1322.0.000	Oiler
04	12.0008.6.001	Screwdriver
05	24.0024.0.000	Needle Bar Shaft Pulley Bracket
06	12.0008.6.100	2mm Hex Wrench
06	12.0008.6.112	2-1/2 Hex Wrench
06	12.0008.6.101	3mm Hex Wrench
06	12.0008.6.102	4mm Hex Wrench
07	02.0750.2.110	Needles, Size 0
08	20.0094.0.000	Trimmer Knife
09	20.0093.2.004	Trimmer Hook
10	22.0011.0.000	Parallel Gauge Block
11	08.6010.5.008	M5 x 8 Screw
12	22.0010.0.000	Crosswise Gauge
13	22.0044.0.000	Crosswise Gauge Guide
14	22.0012.0.000	Parallel Gauge
16	24.0030.0.000	Main Shaft Pulley Bracket
17	08.6400.4.005	M4 x 5 Gauge Lock Screw
18	22.0213.0.000	Bracket
19	08.6850.4.000	M4 Washer
20	08.6000.4.005	M4 x 5 Screw
21	22.0209.0.000	Looper Gauge
22	12.0008.3.081	Pneumatic Adapter (1/8" / NPT 1/8")
23	12.0008.3.420	Connector
24	12.0008.3.464	Connector
24	12.0008.3.466	Connector
26	12.0008.3.467	Connector
27	12.0008.3.465	Connector
28	12.0008.3.251	Air Tubing Clamp

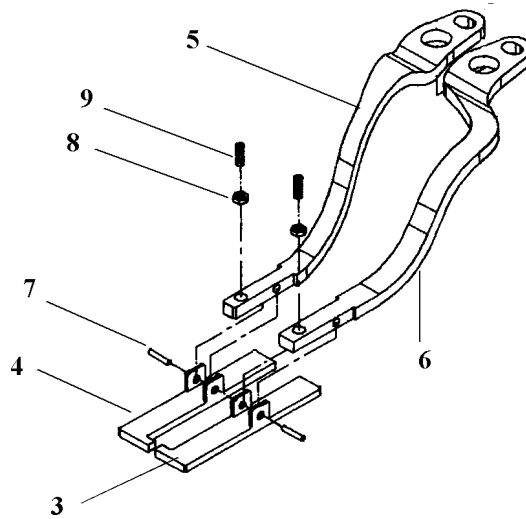
Revised 01/2005

e-mail: [service@amfreece.cz](mailto:service@amfreece.cz); [parts@amfreece.cz](mailto:parts@amfreece.cz); website: [www.amfreece.com](http://www.amfreece.com)

Phones: +420 582 309 146 (Service), +420 582 309 286 (Spare Parts); Fax: +420 582 360 606

## SHORT CLAMPING - EXTRA PARTS

---



**SHORT CLAMPING - EXTRA PARTS**

---

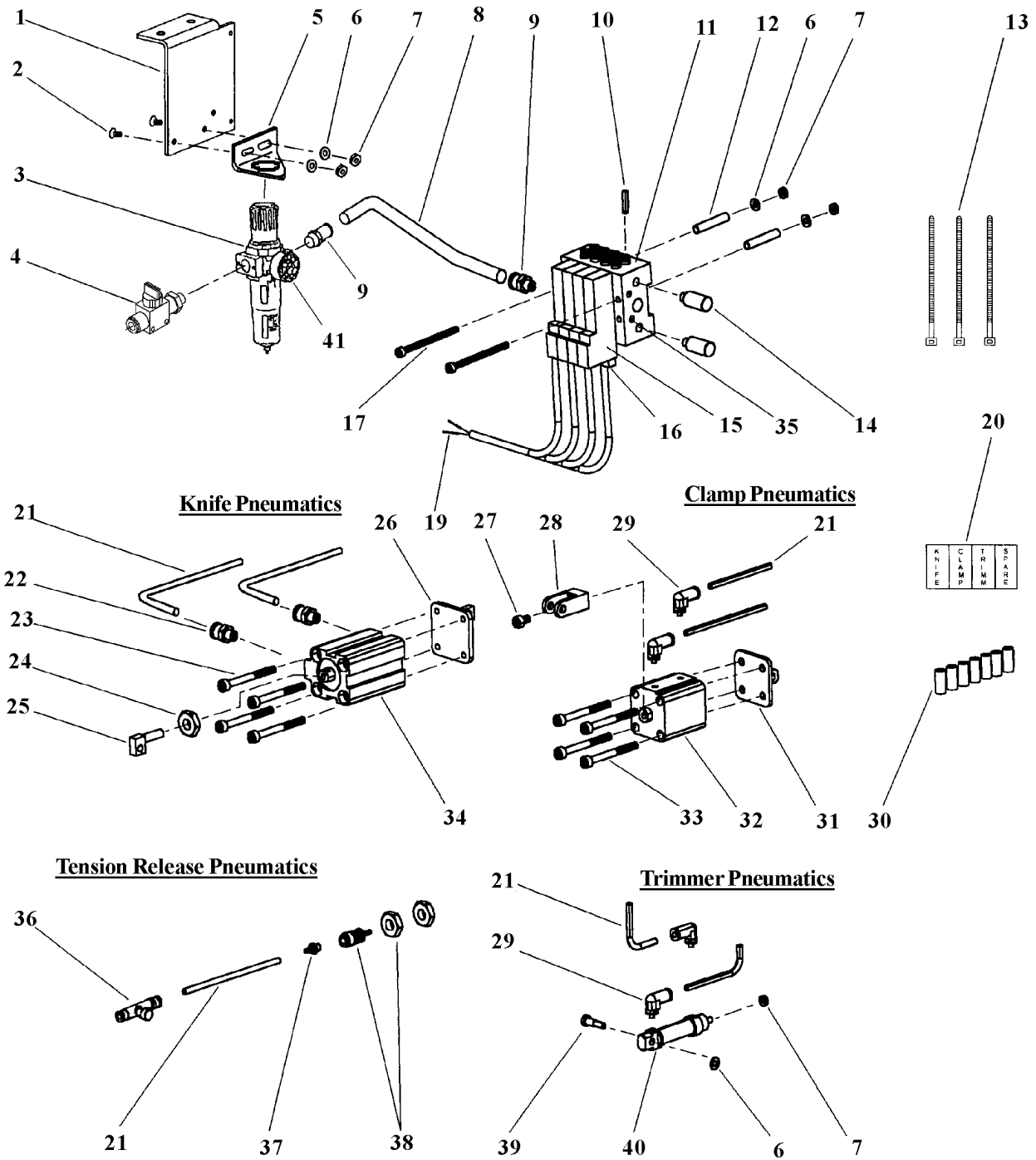
<b>DET</b>	<b>PART NUMER</b>	<b>DESCRIPTION</b>
03	24.0072.0.000	R.H. Clamp Foot
04	24.0071.0.000	L.H. Clamp Foot
05	24.0073.0.000	L.H. Clamp Arm
06	24.0074.0.000	R.H. Clamp Arm
07	17.0031.0.460	Roll Pin
08	08.6710.3.000	M3 Nut
09	08.6400.3.006	M3 x 6 Set Screw

Revised 01/2005

e-mail: [service@amfreece.cz](mailto:service@amfreece.cz); [parts@amfreece.cz](mailto:parts@amfreece.cz); website: [www.amfreece.com](http://www.amfreece.com)

Phones: +420 582 309 146 (Service), +420 582 309 286 (Spare Parts); Fax: +420 582 360 606

**PNEUMATICS**

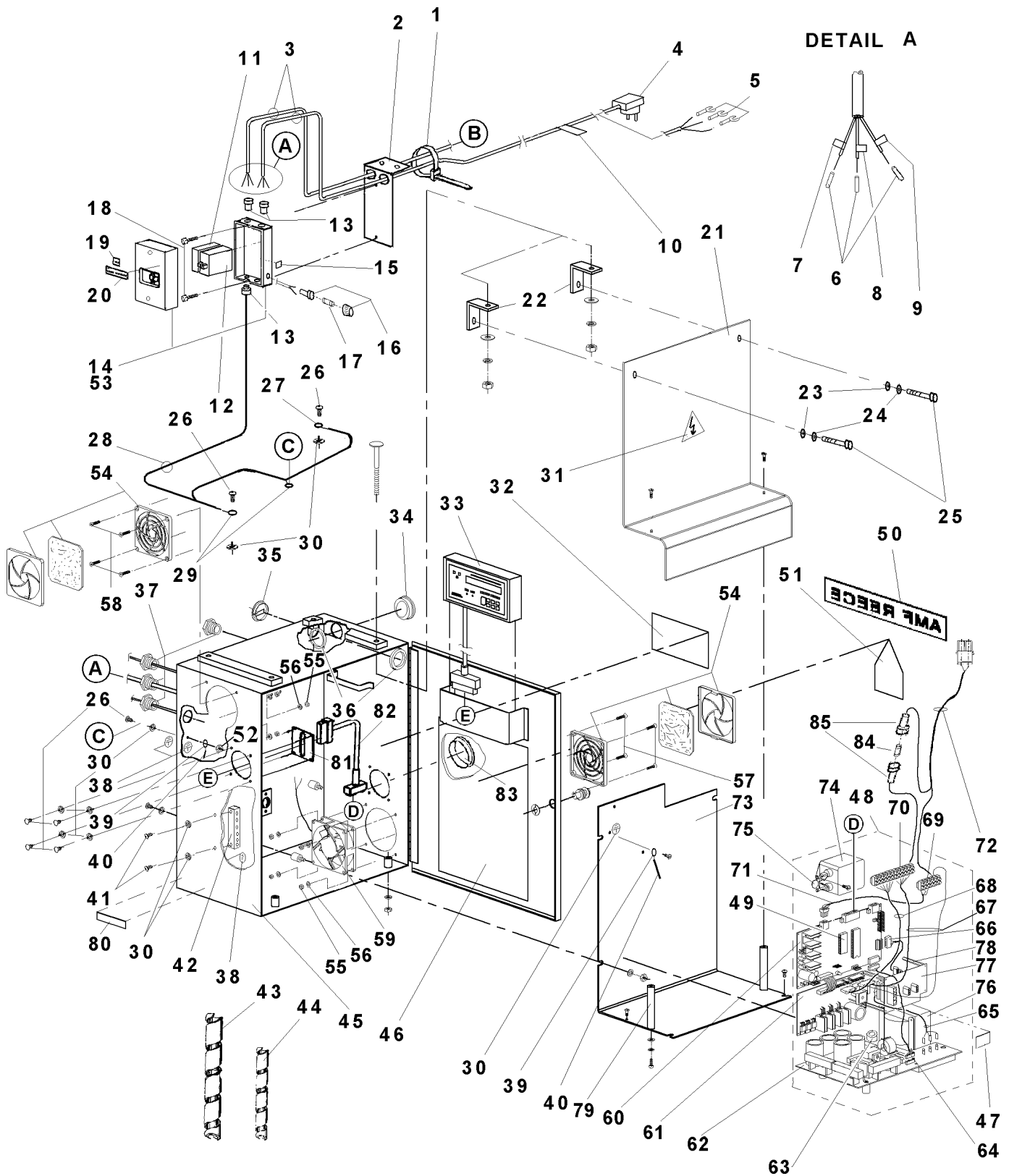




**PNEUMATICS**

DET	PART NUMBER	DESCRIPTION
01	24.0040.0.000	Regulator Bracket
02	08.6100.4.012	M4 x 12 Screw
03	12.0008.3.417	Regulator
04	12.0008.3.463	Handvalve
05	12.0008.3.419	Regulator Holder
06	08.6850.4.000	M4 Washer
07	08.6700.4.000	M4 Nut
08	12.0008.3.431	Air Tubing
09	12.0008.3.421	Connector
10	12.0008.3.426	Plug
11	12.0008.3.422	Manifold Plate
12	24.0034.0.000	Distance Tube
13	12.0008.3.023	Cable Holder
14	12.0008.3.427	Silencer
15	12.0008.3.423	5/2 Valve
16	12.0008.3.424	Connector with Cable
17	08.6000.4.070	M4 x 70 Screw
19	12.0008.4.146	Insulated Cable End Connector
20	12.0008.3.900	Valve Label
21	12.0008.3.416	Air Tubing
22	12.0008.3.409	Connector
23	08.6000.5.040	M5 x 40 Screw
24	08.6710.6.000	M6 Nut
25	24.0037.0.000	Draw Bar Cylinder
26	24.0039.0.000	Knife Bracket
27	08.6000.5.012	M5 x 12 Screw
28	24.0035.0.000	Cylinder Clevis
29	12.0008.3.411	Connector
30	24.0015.0.000	Tubing
31	24.0036.0.000	Cylinder Mounting Bracket
32	12.0008.3.412	Clamp Cylinder
33	08.6000.5.022	M5 x 22 Screw
34	12.0008.3.408	Knife Cylinder
35	12.0008.3.428	Plug
36	12.0008.3.430	Speed Controller
37	12.0008.3.414	Connector
38	12.0008.3.413	Cylinder
39	24.0006.0.000	Pivot Cylinder
40	24.0050.0.000	Trimmer Cylinder
41	12.0008.3.445	Pressure Gauge

# ELECTRICAL BOX ASSEMBLY



**ELECTRICAL BOX ASSEMBLY**

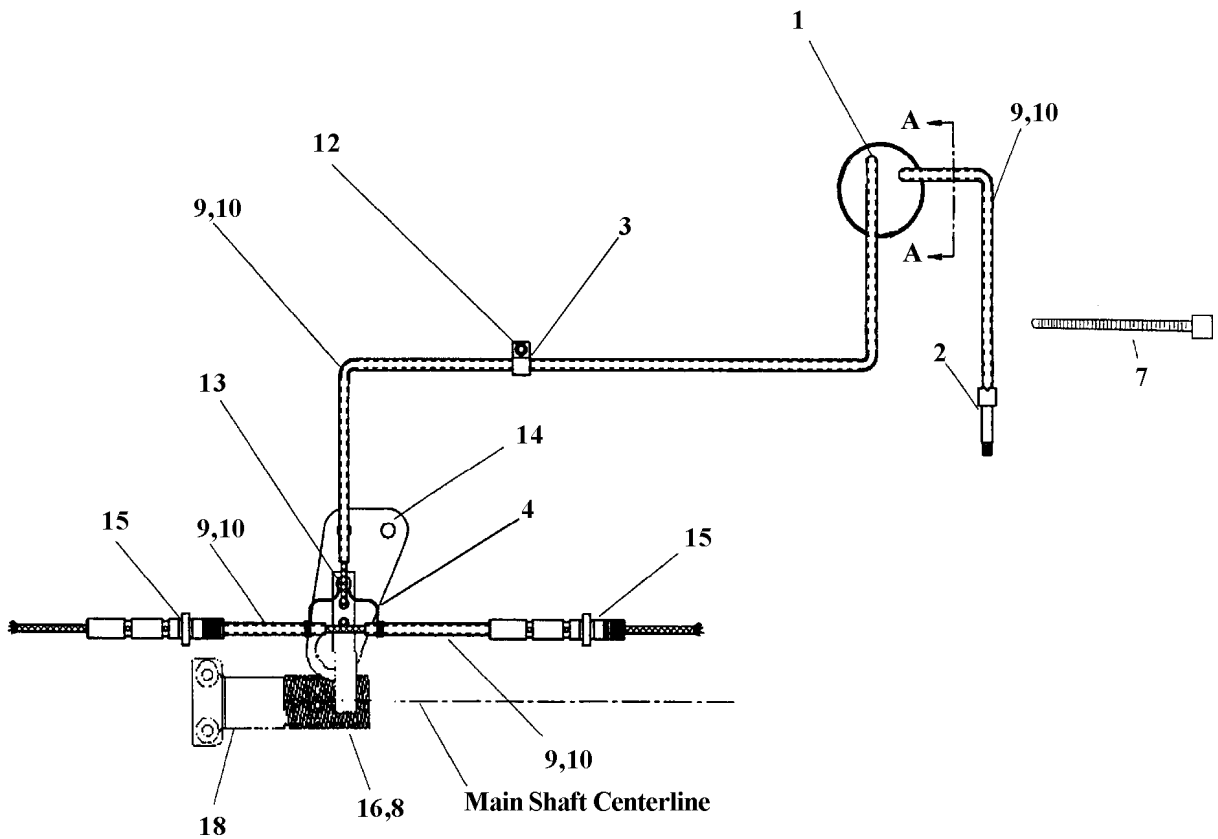
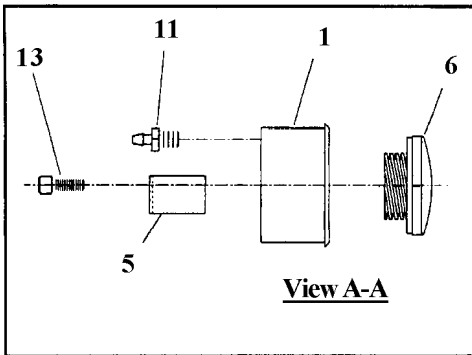
DET	PART NUMER	DESCRIPTION	DET	PART NUMER	DESCRIPTION
01	12.0008.4.290	Cable Holder	44	12.0008.4.141	Spiral Dia.3
02	17.0083.6.357	Motor Circuit Breaker Bracket	45	24.0091.0.000	Clinton Box
03	12.0008.4.281	Supply Cable	46	12.8000.0.095	El. Diagram Label
04	12.0008.4.286	Plug	47	12.8000.0.187	Transformator Label
05	12.0008.4.295	Cable Plug	48	12.0008.4.189	Control Box
06	12.0008.4.291	Insulated Cable End Connector	49	24.0105.0.000	E-Prom BH
07	12.0008.4.904	Conductor Cable (U)	50	05.1392.0.000	Label (AMF REECE)
08	12.0008.4.906	Conductor Cable (PE)	51	12.0008.4.378	Label „Flash“ 50mm with text
09	12.0008.4.905	Conductor Cable (N)	52	08.6702.4.000	Nut
10	12.0008.4.902	"Warning" Label	53	12.0008.4.292	Insulated Cable End Connector
11	12.0008.4.285	Voltage Trip	54	12.0008.4.472	Fan Cover With Filter
12	12.0008.4.284	Motor Circuit Breaker	55	08.6700.4.000	M4 Nut
13	12.0008.4.288	Cable Bushing	56	08.6850.4.000	M4 Washer
14	12.0008.4.283	Enclosure	57	08.6100.4.020	M4x20 Screw
15	12.8000.0.002	Fuse Label	58	08.6100.4.014	M4x14 Screw
16	12.0008.4.404	Fuse Bushing	59	24.0059.9.017	Clinton Box Fan Assm.
17	12.0008.4.405	Fuse	60	06.5116.0.000	Board PC Logic
18	08.6010.4.010	Screw M4x10	61	06.5095.0.000	Board PC Sol. Driver
19	12.0008.4.907	"AMF REECE" Decal	62	06.5094.2.000	Board Power
20	12.0008.4.903	Label	63	12.0008.4.444	Toroid
21	24.0060.0.000	Control Box Cover	64	12.0008.4.439	Cable Logic To Motor Sel.
22	24.0057.0.000	Bracket	65	12.0008.4.437	Cable Motor
23	08.6845.4.000	Washer Polyamid M4	66	12.0008.4.435	Cable Proxim. Sensor
24	08.6852.4.000	Flat Washer M4	67	24.0059.9.003	Cable
25	08.6032.4.008	Screw M4x8	68	12.0008.4.436	Cable Solenoids Output
26	08.6012.4.008	Screw M4x8	69	12.0008.4.451	Terminal Block
27	12.0008.4.294	Insulated Cable Plug	70	12.0008.4.442	Terminal Block
28	12.0008.4.282	Conductor	71	24.0059.9.013	Cable
29	12.0008.4.293	Insulated Cable Plug	72	24.0059.9.002	Cable Fan
30	08.6832.4.000	M4 Serrated Washer	73	12.0008.4.431	Chassis
31	12.0008.4.154	"Flash" Label 50mm	74	07.6087.0.002	Filter Power
32	05.1395.0.000	Replacement Parts Decal	75	12.0008.4.438	MOV
33	12.0008.4.199	LCD Display	76	12.0008.4.445	Transformer
34	12.0008.4.366	Blind PG29	77	12.0008.4.433	Plate
35	12.0008.4.369	Cable Bushing	78	12.0008.4.443	Standoff
36	12.0008.4.370	PG-29 Nut	79	12.0008.4.434	Standoff
37	12.0008.4.296	Blind 22	80	12.8000.0.008	Label "LCD PLUG"
38	12.0008.4.052	"Ground" Label	81	24.0103.0.000	LCD Plug Holder
39	12.0008.4.232	Insulated Cable Plug	82	24.0059.9.021	LCD Cable
40	12.0008.4.379	Cable	83	12.0008.4.632	Blind
41	08.6012.4.010	Screw M4x10	84	12.0008.4.062	Fuse
42	12.0008.4.367	Natural Bus-Bar	85	12.0008.4.302	Fuse Bushing
43	12.0008.4.140	Spiral Dia.8	86		

Revised 01/2005

e-mail: [service@amfreece.cz](mailto:service@amfreece.cz); [parts@amfreece.cz](mailto:parts@amfreece.cz); website: [www.amfreece.com](http://www.amfreece.com)

Phones: +420 582 309 146 (Service), +420 582 309 286 (Spare Parts); Fax: +420 582 360 606

**LUBRICATION**



**LUBRICATION**

---

<b>DET</b>	<b>PART NUMER</b>	<b>DESCRIPTION</b>
01	22.0104.0.000	Oil Gauge Reservoir
02	22.0108.0.000	Wick Holder
03	17.0082.6.000	Clamp
04	17.0027.1.799	Wire
05	22.0120.0.000	Holder
06	17.0095.1.329	Oil Sight Gauge
07	12.0008.3.023	Tywrap
08	17.0094.5.310	Felt
09	24.0141.0.000	Tubing
10	24.0139.0.000	Lubricating Wick
11	22.0229.0.000	Straight Fitting
12	08.6000.3.006	M3 x 6 Screw
13	08.6000.4.006	M4 x 6 Screw
14	22.0097.0.000	Main Cam Brace
15	22.0022.0.000	Looper Pivot Shaft
16	22.0107.0.000	Worm Gear Felt Retainer
18	22.8400.0.000	Shaft Worm Gear.

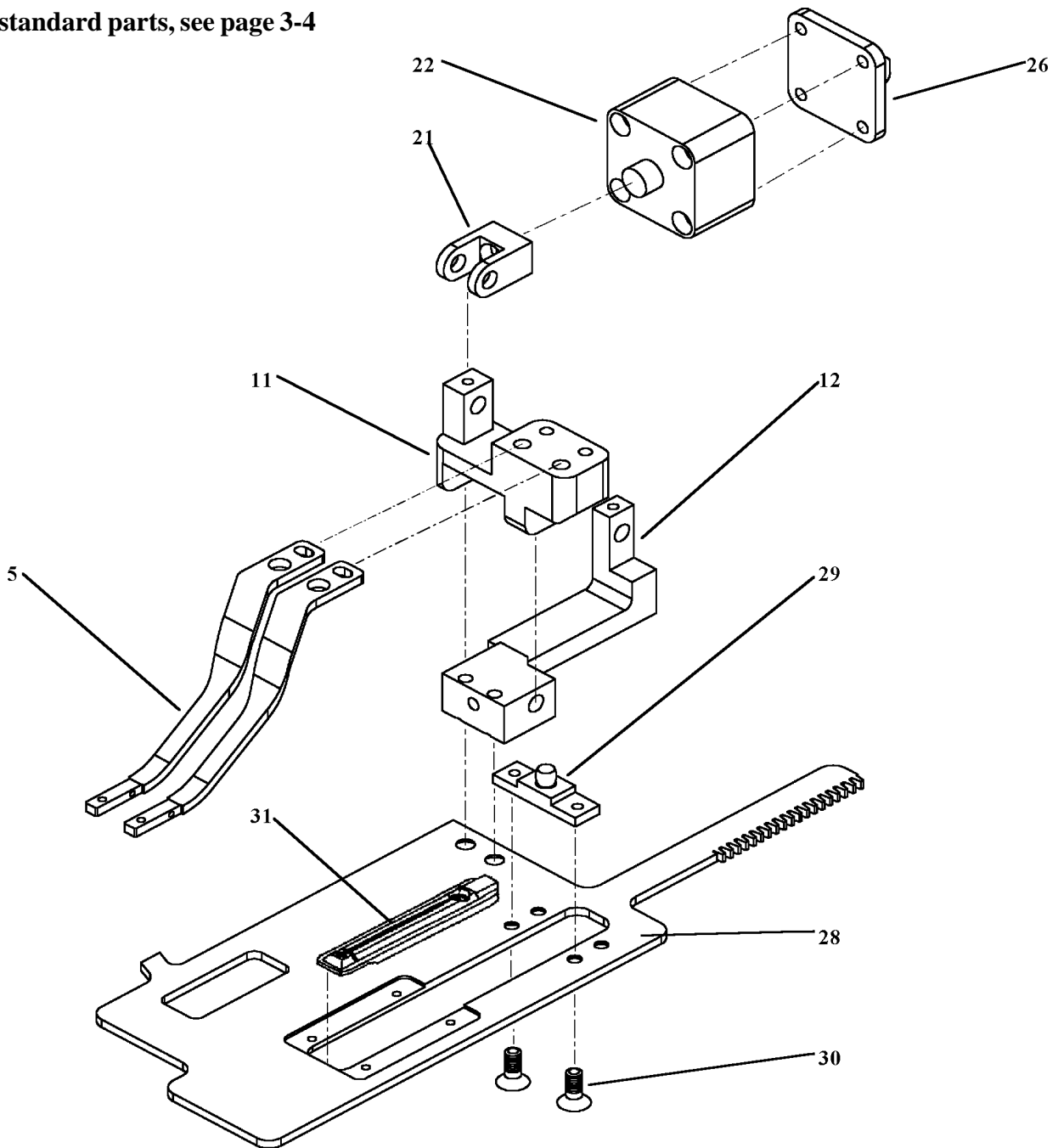
Revised 01/2005

e-mail: [service@amfreece.cz](mailto:service@amfreece.cz); [parts@amfreece.cz](mailto:parts@amfreece.cz); website: [www.amfreece.com](http://www.amfreece.com)

Phones: +420 582 309 146 (Service), +420 582 309 286 (Spare Parts); Fax: +420 582 360 606

**CLAMPING - ISBH MODEL**

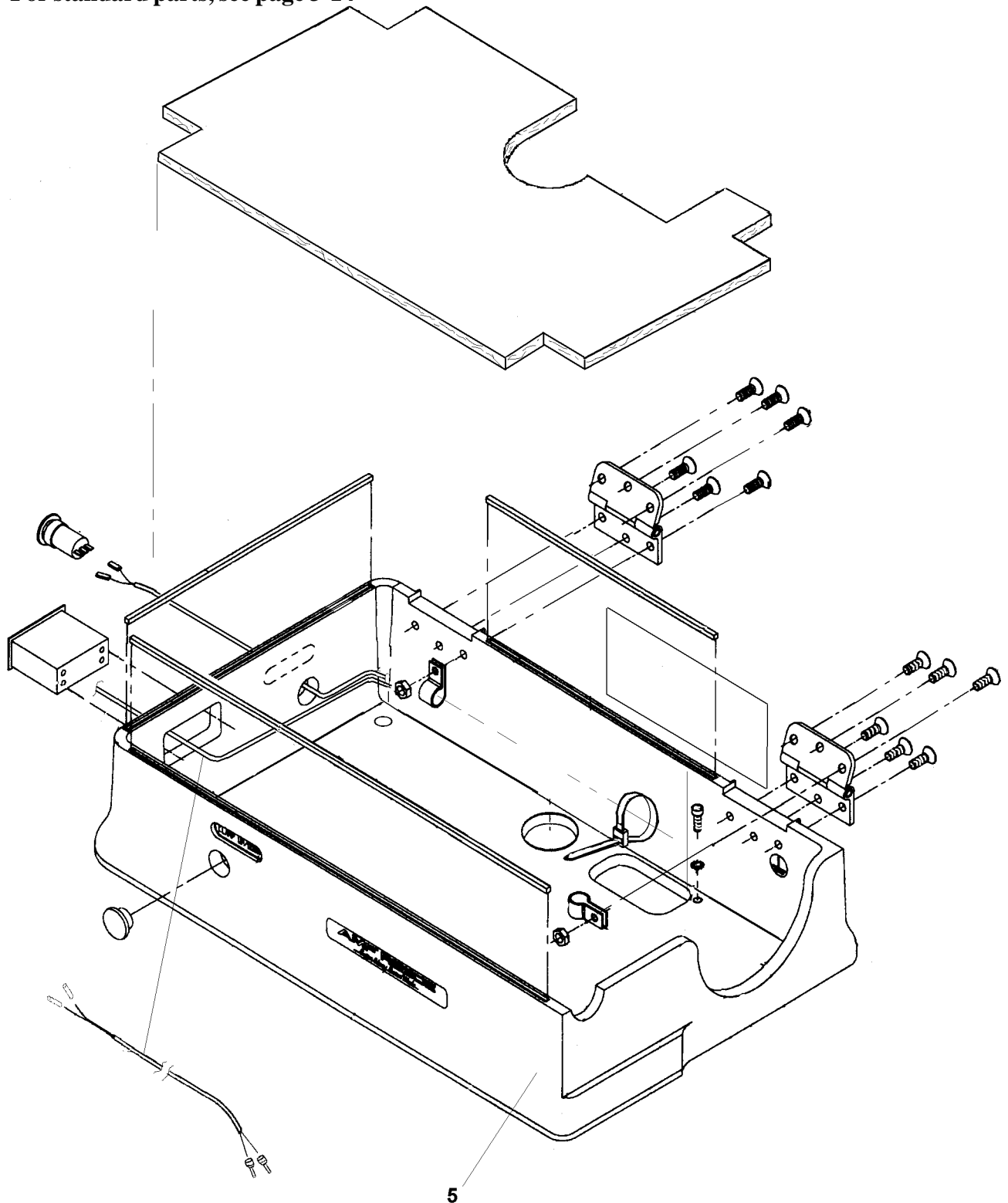
For standard parts, see page 3-4



DET	PART NUMBER	DESCRIPTION
05	22.3029.0.000	Clamp Arm
11	24.3026.0.000	Tail Pivot Clamp
12	24.0158.1.000	Tail Bracket Clamp
28	22.3028.0.000	Clamp Plate
29	22.3036.0.000	Indexer Bracket
30	08.6100.4.006	M4x6 Screw
31	22.3034.0.000	Throat Plate

**BASE - ISBH MODEL**

For standard parts, see page 3-14



DET	PART NUMBER	DESCRIPTION
05	24.6005.1.000	Base ISBH

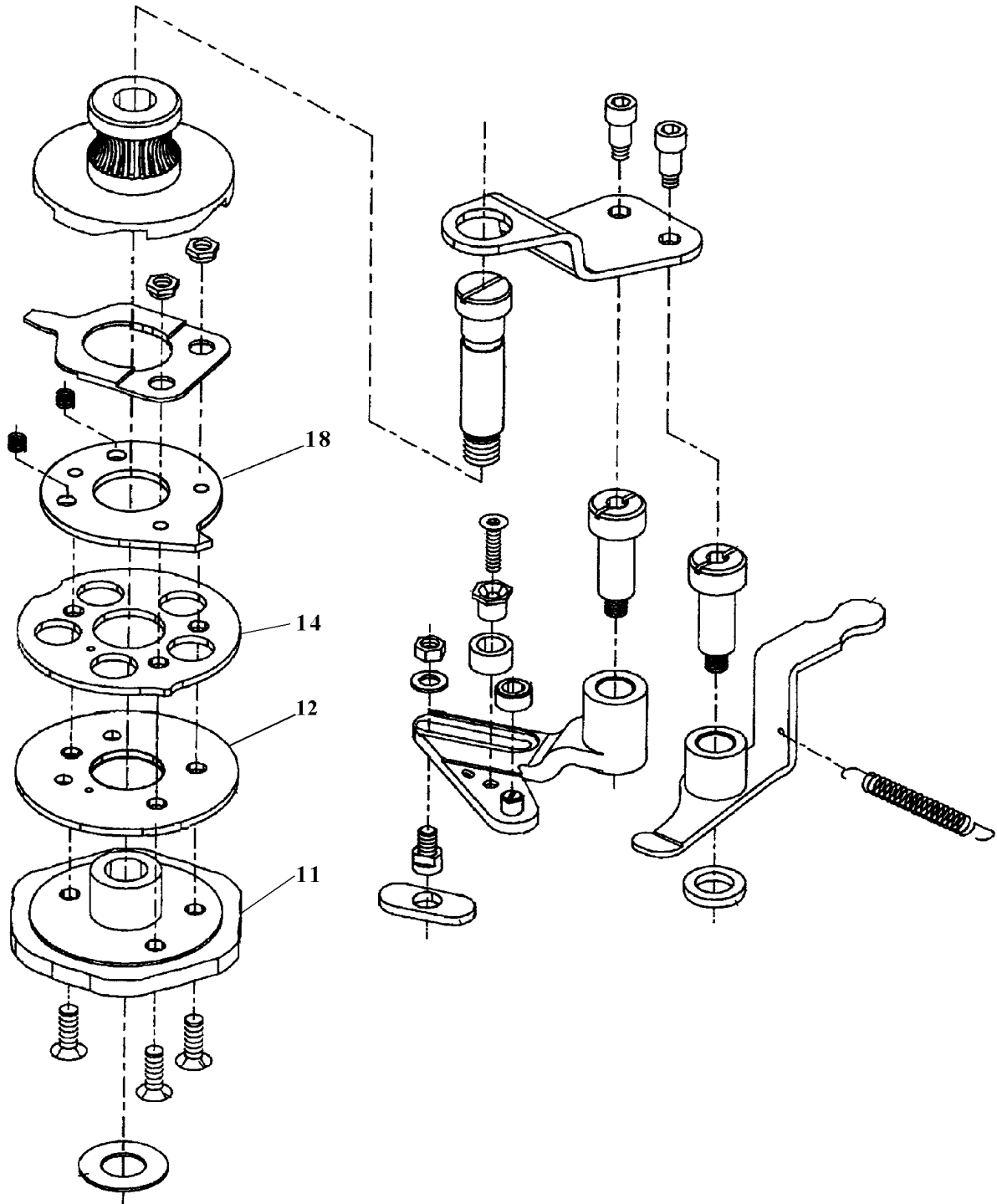
Revised 01/2005

e-mail: [service@amfreece.cz](mailto:service@amfreece.cz); [parts@amfreece.cz](mailto:parts@amfreece.cz); website: [www.amfreece.com](http://www.amfreece.com)

Phones: +420 582 309 146 (Service), +420 582 309 286 (Spare Parts); Fax: +420 582 360 606

## MAIN CAM - ISBH MODEL

For standard parts, see page 3-20

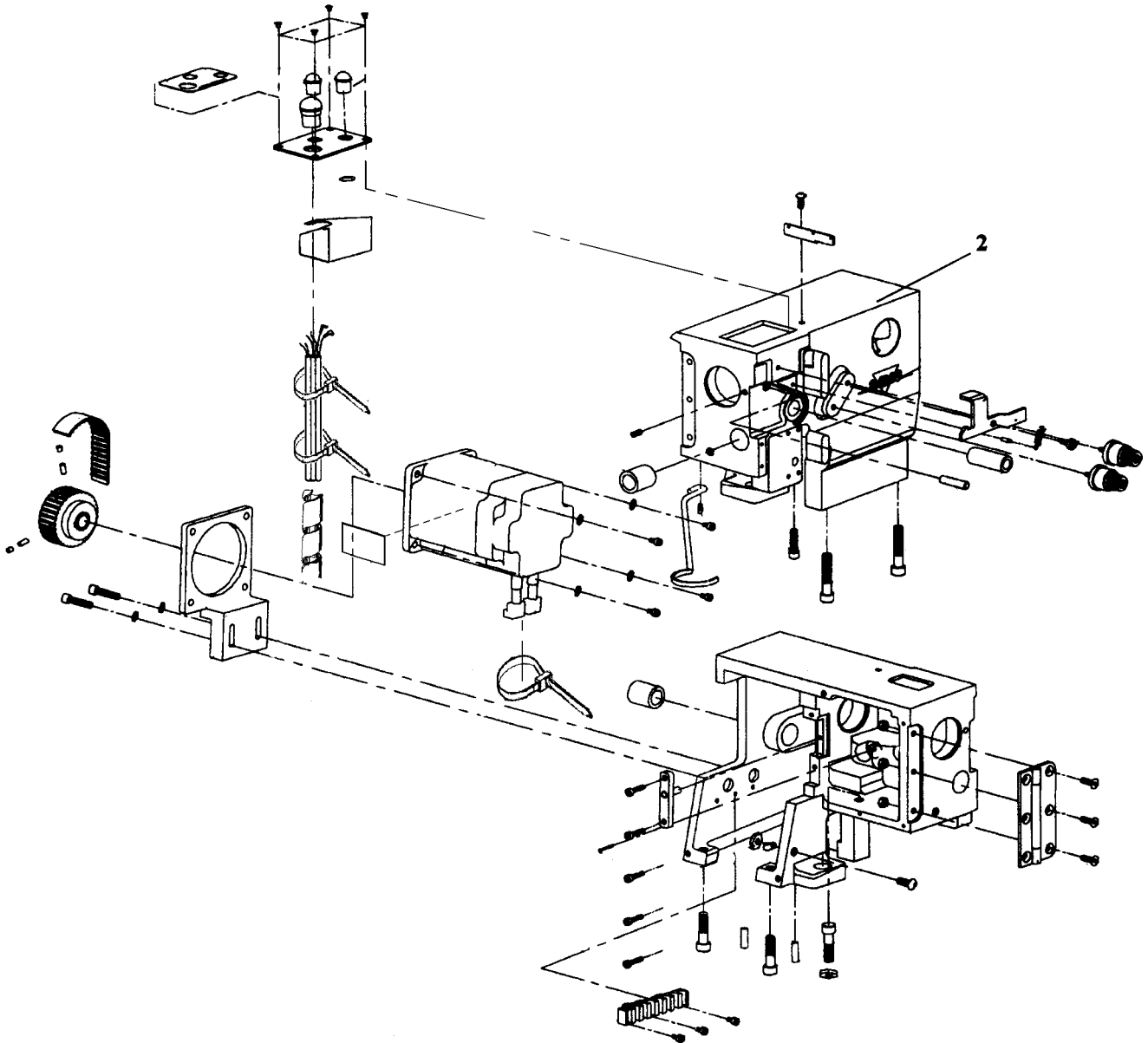


DET	PART NUMBER	DESCRIPTION
11	24.3077.0.000	Barring Cam ISBH
12	24.0041.0.000	Washer
14	24.3070.0.000	Feed Reversing Cam
18	24.3010.0.000	Stop Disk



## HEAD ASSEMBLY - ISBH MODEL

For standard parts, see page 3-22



DET	PART NUMBER	DESCRIPTION
02	24.6000.1.000	Head ISBH

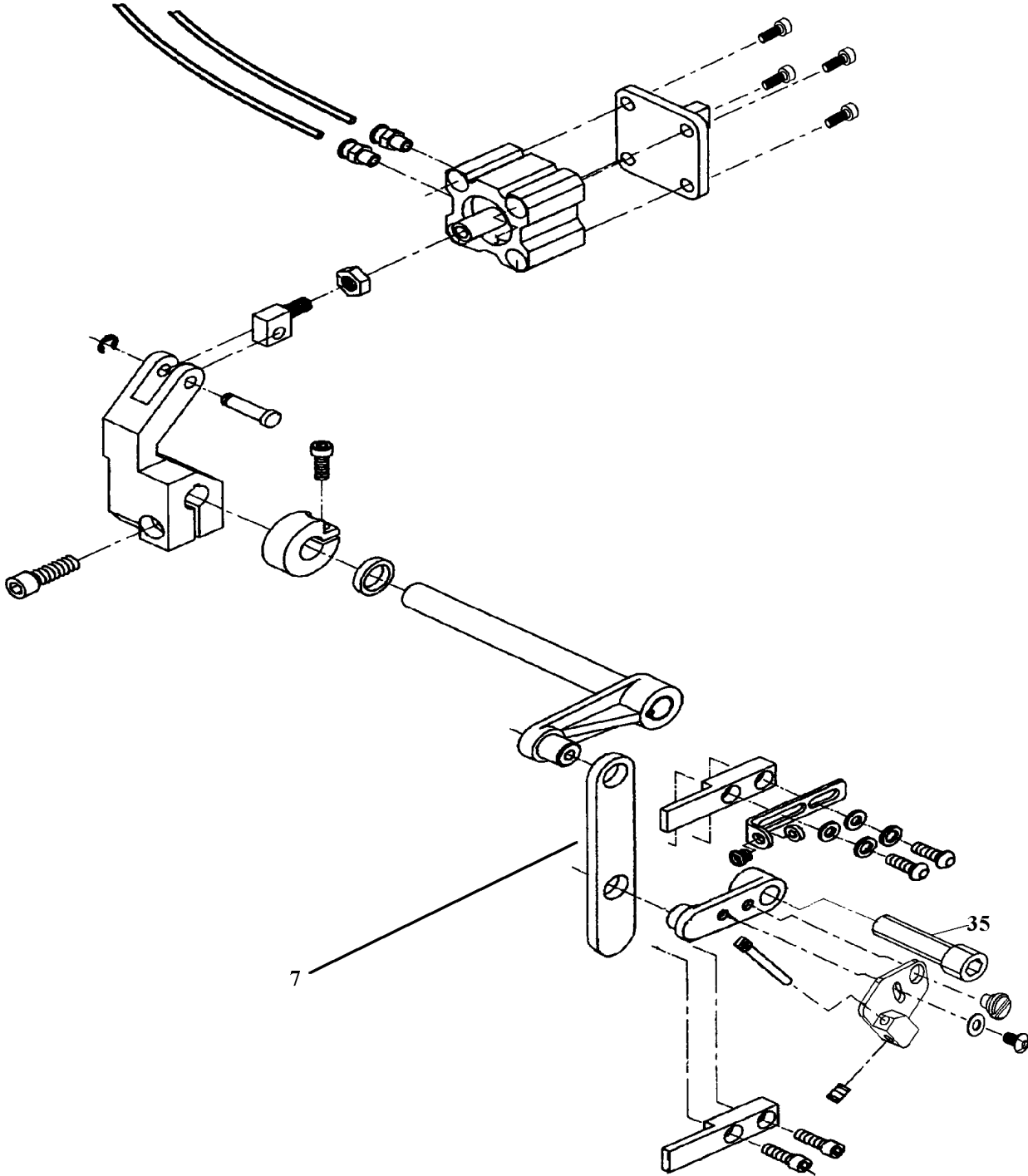
Revised 01/2005

e-mail: [service@amfreece.cz](mailto:service@amfreece.cz); [parts@amfreece.cz](mailto:parts@amfreece.cz); website: [www.amfreece.com](http://www.amfreece.com)

Phones: +420 582 309 146 (Service), +420 582 309 286 (Spare Parts); Fax: +420 582 360 606

**THREAD DRAW - OFF - ISBH, TKF, LS**

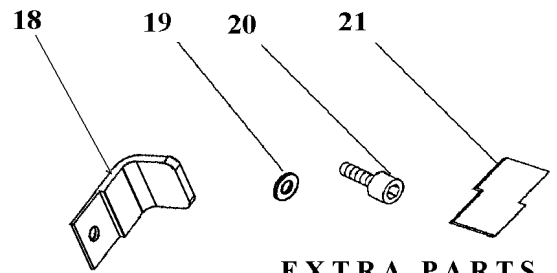
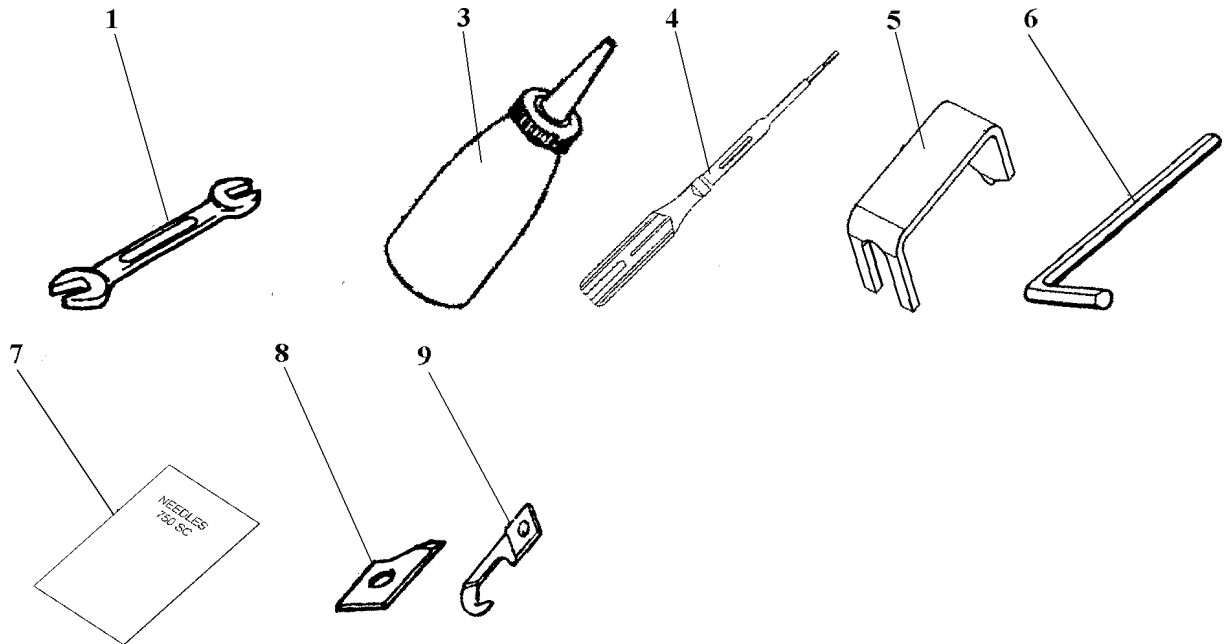
For standard parts, see page 3-18



DET	PART NUMER	DESCRIPTION
07	24.1430.1.000	Thread Draw-Off Holder
35	22.0161.0.000	Pivot Link Pin

**ACCESSORIES -ISBH, TKF, LS**

For standard parts, see page 3-34



**EXTRA PARTS**

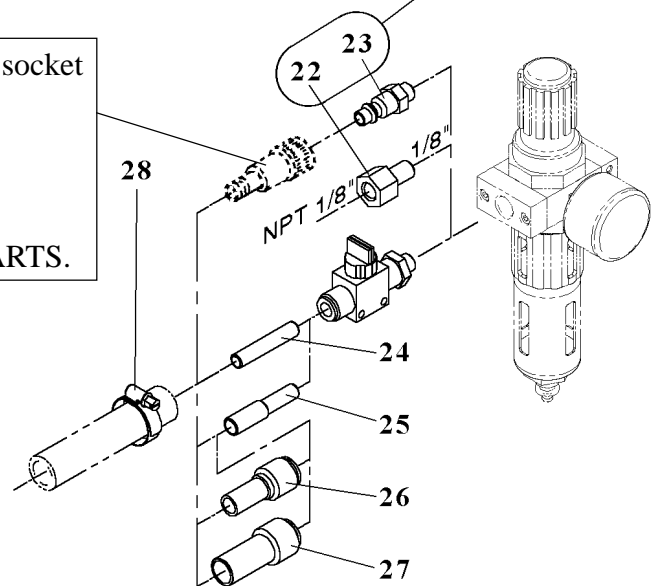
Simple connection for air adaptation will ensure socket of quick coupler.

Order number **SMC** :

dia 8 FBKBS0010000025MS0

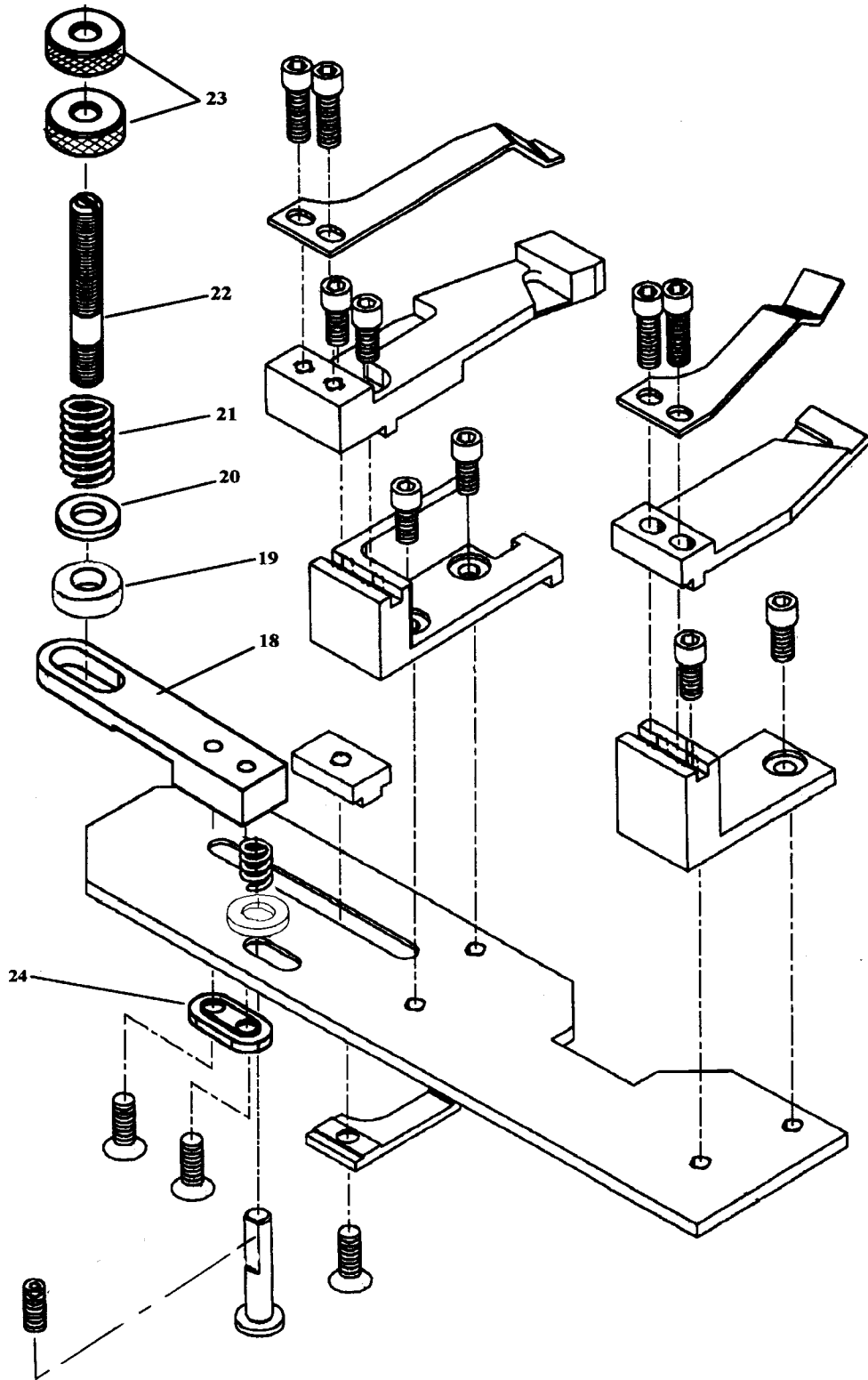
dia 10 FBKBS000800025MS0

Unit has corresponding input **det 23** EXTRA PARTS.



# SHIFT MECHANISM - ISBH MODEL

For standart parts, see page 3-8



**SHIFT MECHANISM - ISBH MODEL**

---

<b>DET</b>	<b>PART NUMER</b>	<b>DESCRIPTION</b>
18	24.3072.0.000	Shifter Brake
19	24.3075.0.000	Rubber Washer
20	08.6850.6.000	Washer
21	07.6440.0.032	Spring
22	24.3073.0.000	Screw
23	24.3074.0.000	M6 Nut
24	24.3071.0.000	Shifter Brake Bracket

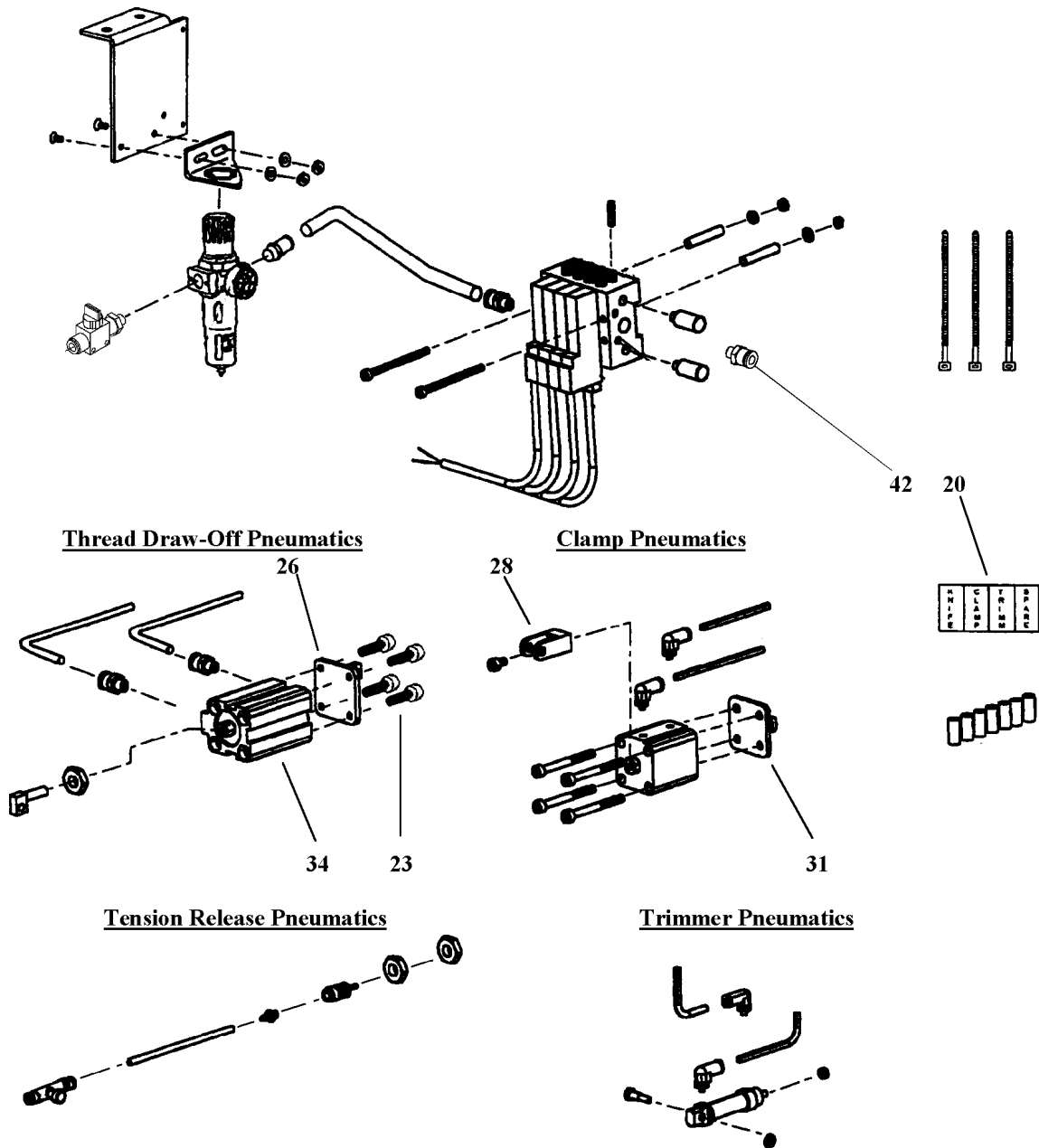
Revised 01/2005

e-mail: [service@amfreece.cz](mailto:service@amfreece.cz); [parts@amfreece.cz](mailto:parts@amfreece.cz); website: [www.amfreece.com](http://www.amfreece.com)

Phones: +420 582 309 146 (Service), +420 582 309 286 (Spare Parts); Fax: +420 582 360 606

**PNEUMATICS - ISBH MODEL**

For standard parts, see page 3-38

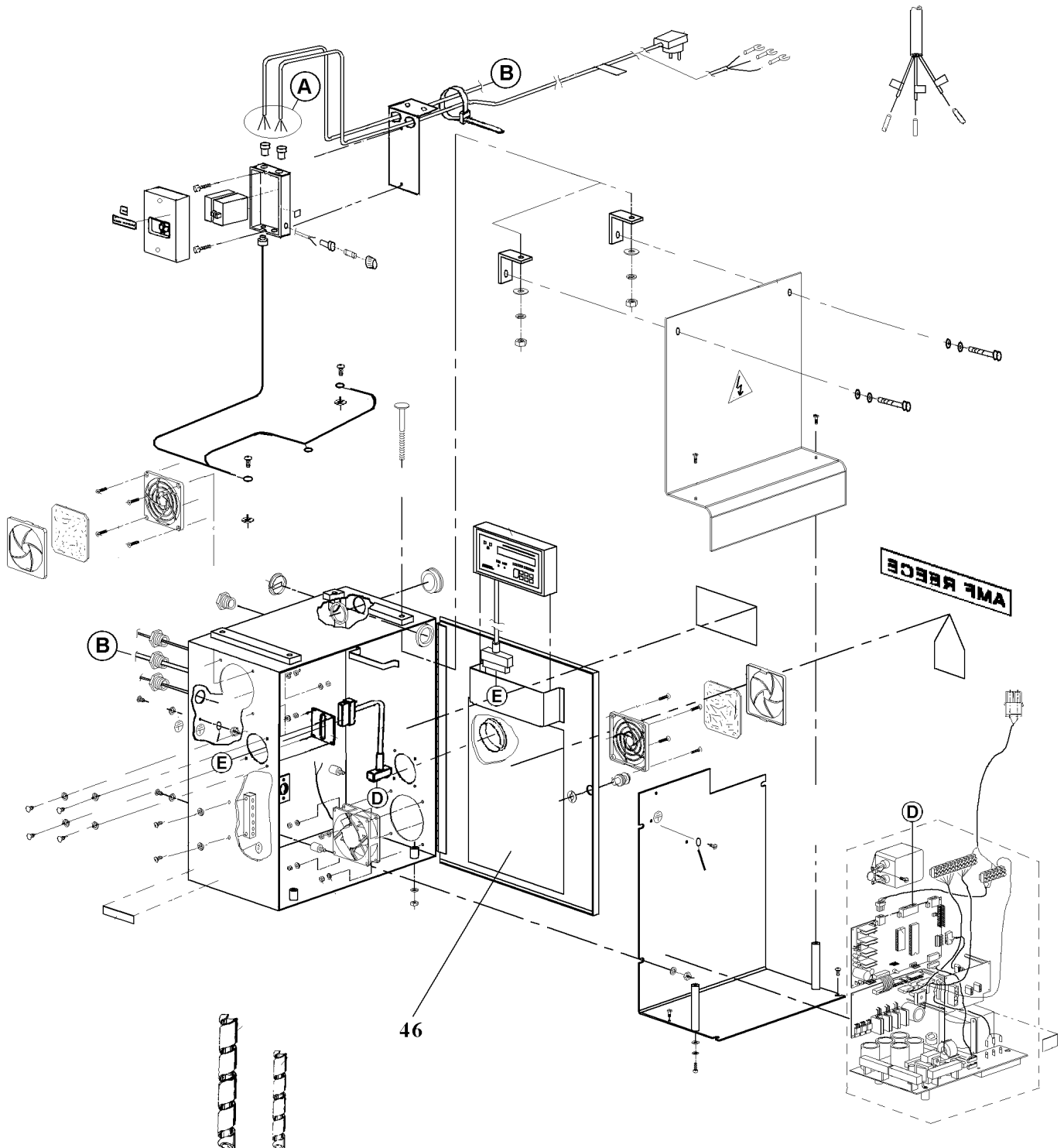


DET	PART NUMBER	DESCRIPTION
20	12.0008.3.903	Valve Label - ISBH
23	08.6000.4.012	M4x12 Screw
26	24.0039.1.000	Thread Draw-Off Bracket
28	24.0035.1.000	Cylinder Clevis
31	24.0036.1.000	Cylinder Mounting Bracket
34	12.0008.3.433	Thread Draw-Off Cylinder
42	12.0008.3.434	Connector

**ELECTRICAL BOX ASSEMBLY - ISBH MODEL**

For standard parts, see page 3-40

DETAIL A



DET	PART NUMBER	DESCRIPTION
46	12.8000.0.093	EI. Diagram Label (TKF, LS, ISBH)

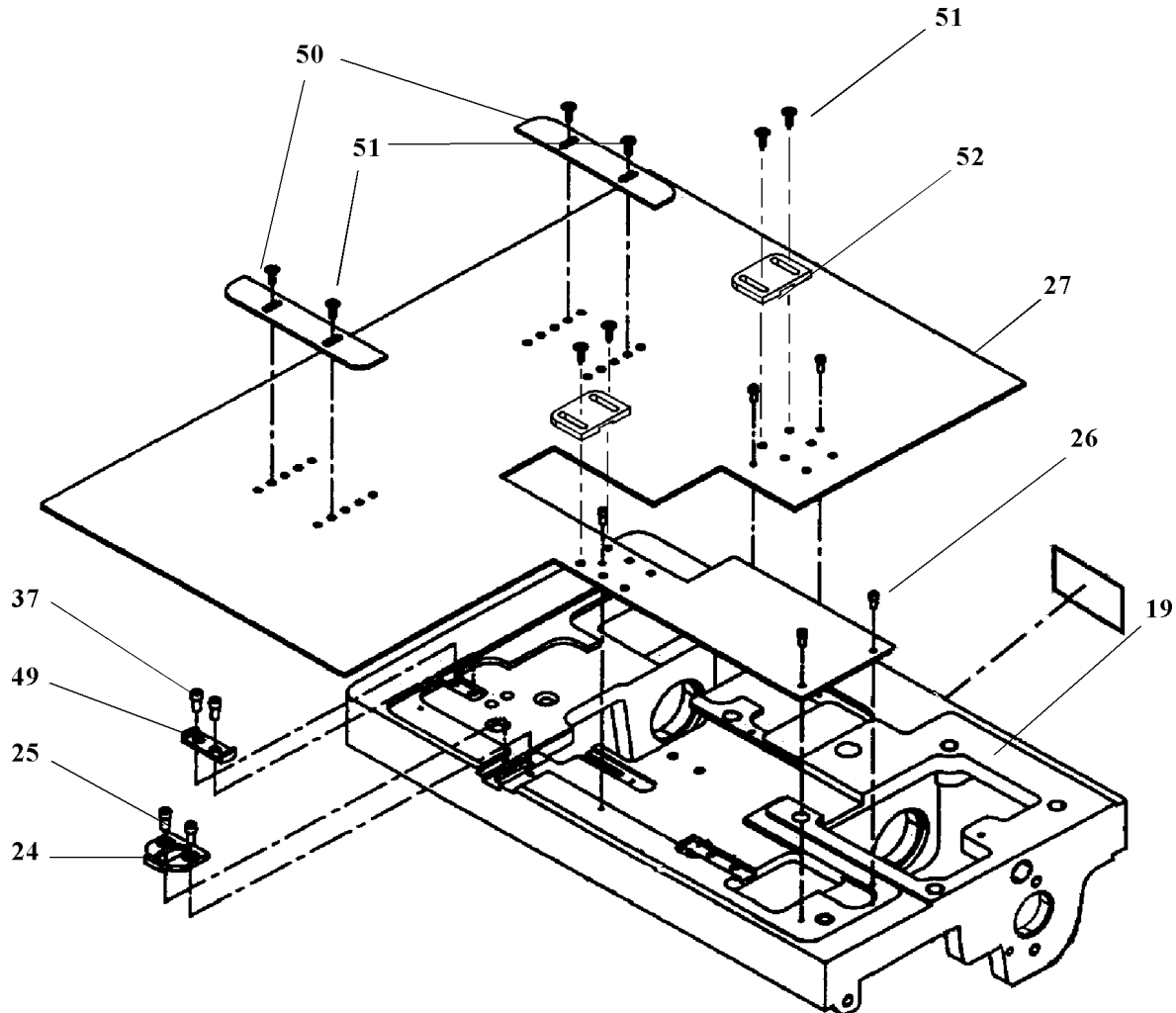
Revised 01/2005

e-mail: [service@amfreece.cz](mailto:service@amfreece.cz); [parts@amfreece.cz](mailto:parts@amfreece.cz); website: [www.amfreece.com](http://www.amfreece.com)

Phones: +420 582 309 146 (Service), +420 582 309 286 (Spare Parts); Fax: +420 582 360 606

## BEDPLATE - ISBH MODEL WITH INDEXER

For standard parts, see page 3-24



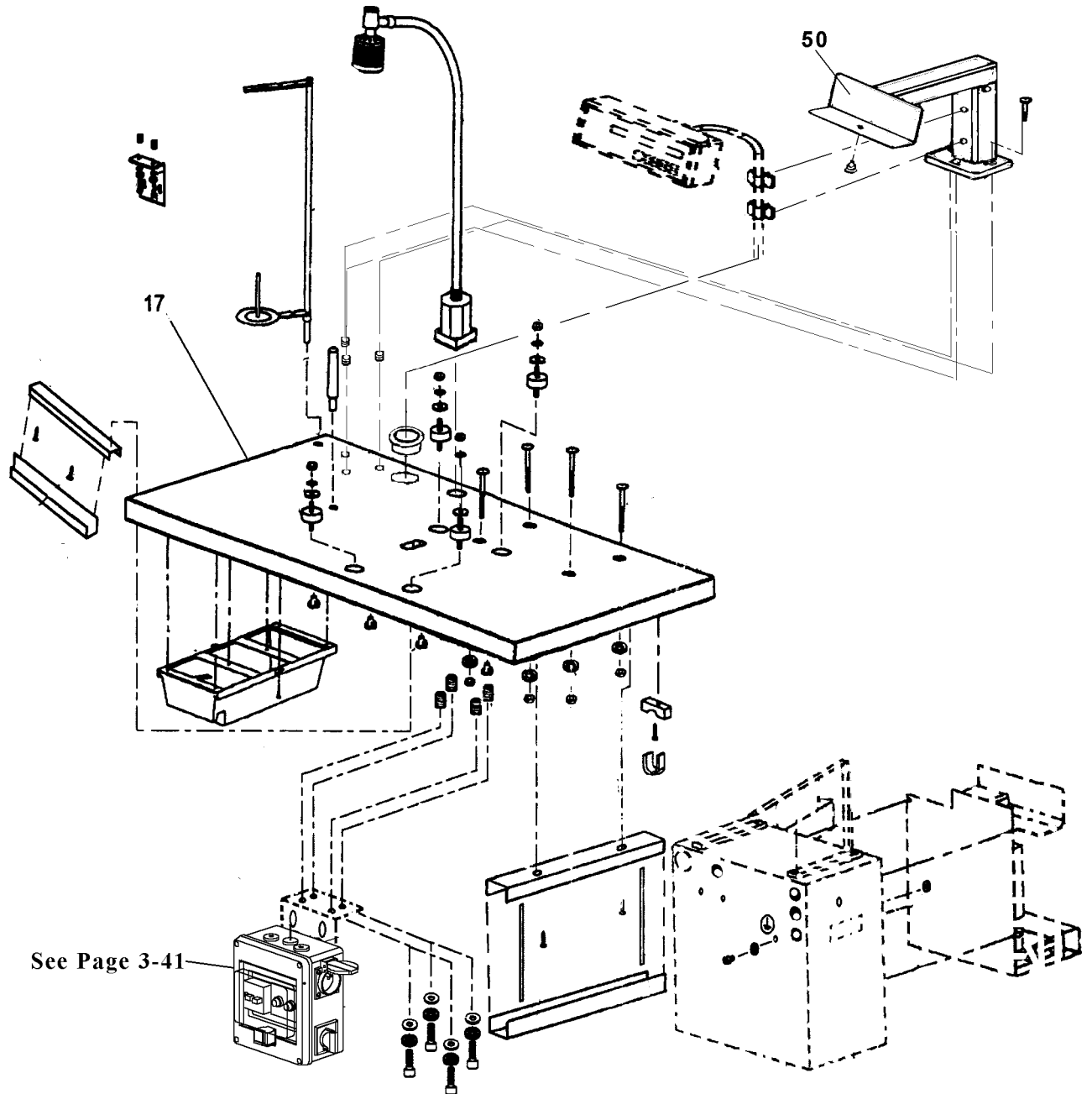
DET	PART NUMER	DESCRIPTION
19	24.6100.1.000	Bedplate ISBH
24	22.0408.1.000	Trimmer Cover Plate
25	08.6100.4.006	M4x6 Screw
26	08.6200.3.008	M3x8 Screw (Only ISBH+I Model)
27	22.3055.0.000	Cover Plate (Only ISBH Model)
49	22.3022.0.000	Front Stop
50	22.3054.0.000	Material Guide (Only ISBH Model)
51	22.3068.0.000	Screw (Only ISBH Model)
52	22.3064.0.000	Pawl II (Only ISBH Model)

Revised 01/2005



**TABLE - ISBH MODEL WITH INDEXER**

For standard parts, see page 3-28



DET	PART NUMBER	DESCRIPTION
17	24.0098.1.000	S-4000 ISBH Indexer Table
50	24.0104.0.050	LCD Bracket Assembly ISBH+I

Revised 01/2005

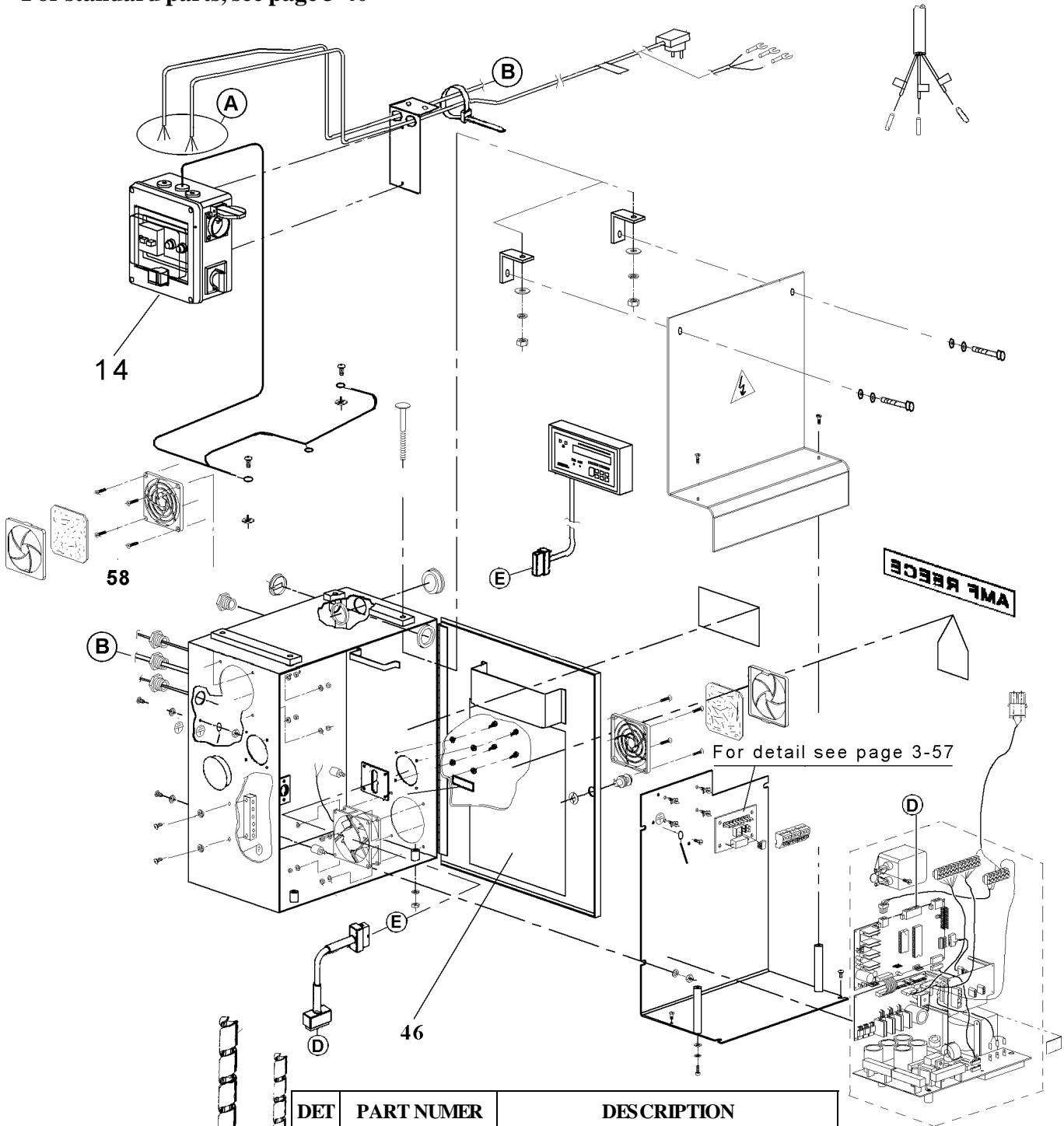
e-mail: [service@amfreece.cz](mailto:service@amfreece.cz); [parts@amfreece.cz](mailto:parts@amfreece.cz); website: [www.amfreece.com](http://www.amfreece.com)

Phones: +420 582 309 146 (Service), +420 582 309 286 (Spare Parts); Fax: +420 582 360 606

**ELECTRICAL BOX ASSEMBLY - ISBH MODEL WITH INDEXER**

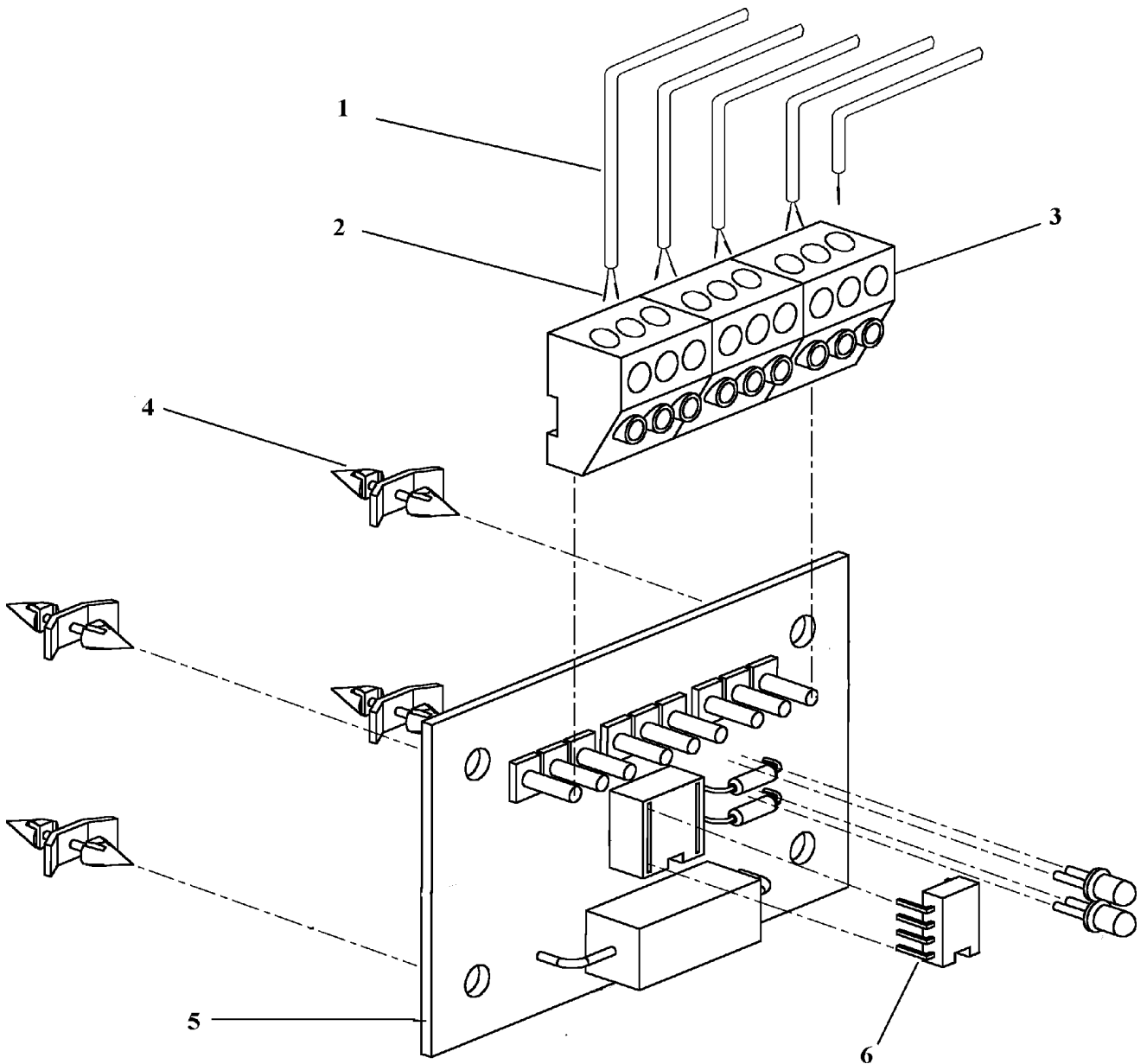
For standard parts, see page 3-40

DETAIL A



DET	PART NUMBER	DESCRIPTION
14	12.0008.4.365	Enclosure
46	12.8000.0.092	El. Diagram Label (VS 3005)
	12.8000.0.091	El. Diagram Label (VS 3005A+AW)

**INTERFACE BOARD - ISBH MODEL WITH INDEXER**



DET	PART NUMBER	DESCRIPTION
01	12.0008.4.305	Cable
02	12.0008.4.146	Insulated Cable End Connector
03	12.0008.4.390	Terminal Block
04	12.0008.4.384	Distance Spacer
05	24.0059.9.012	Board
06	12.0008.4.391	Optocoupler

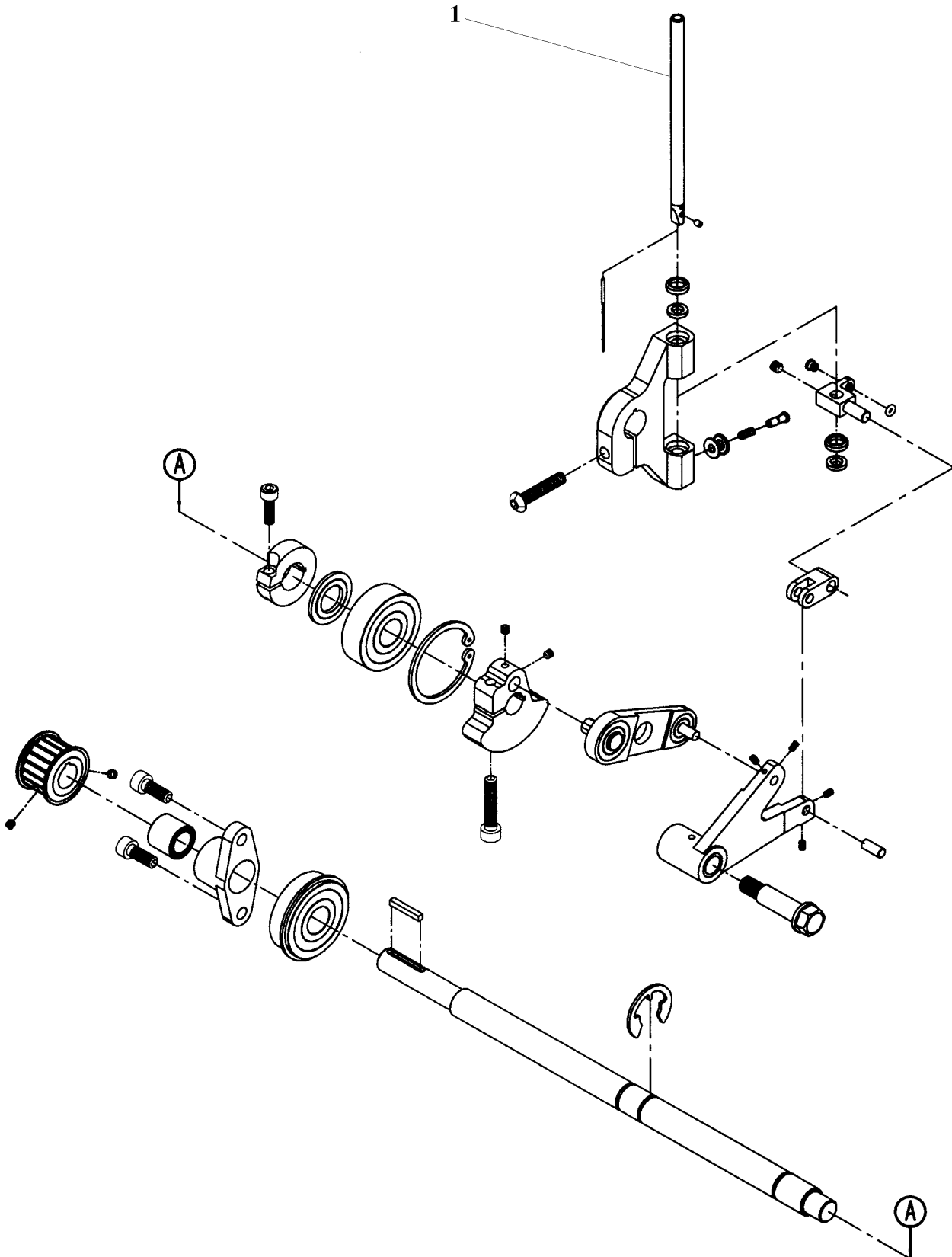
Revised 01/2005

e-mail: [service@amfreece.cz](mailto:service@amfreece.cz); [parts@amfreece.cz](mailto:parts@amfreece.cz); website: [www.amfreece.com](http://www.amfreece.com)

Phones: +420 582 309 146 (Service), +420 582 309 286 (Spare Parts); Fax: +420 582 360 606

## NEEDLE BAR - CAED MODEL

For standard parts, see page 3-2



Revised 01/2005

## NEEDLE BAR - CAED MODEL

---

For standard parts, see page 3-2

DET	PART NUMER	DESCRIPTION
01	24.0195.4.000	Needle Bar

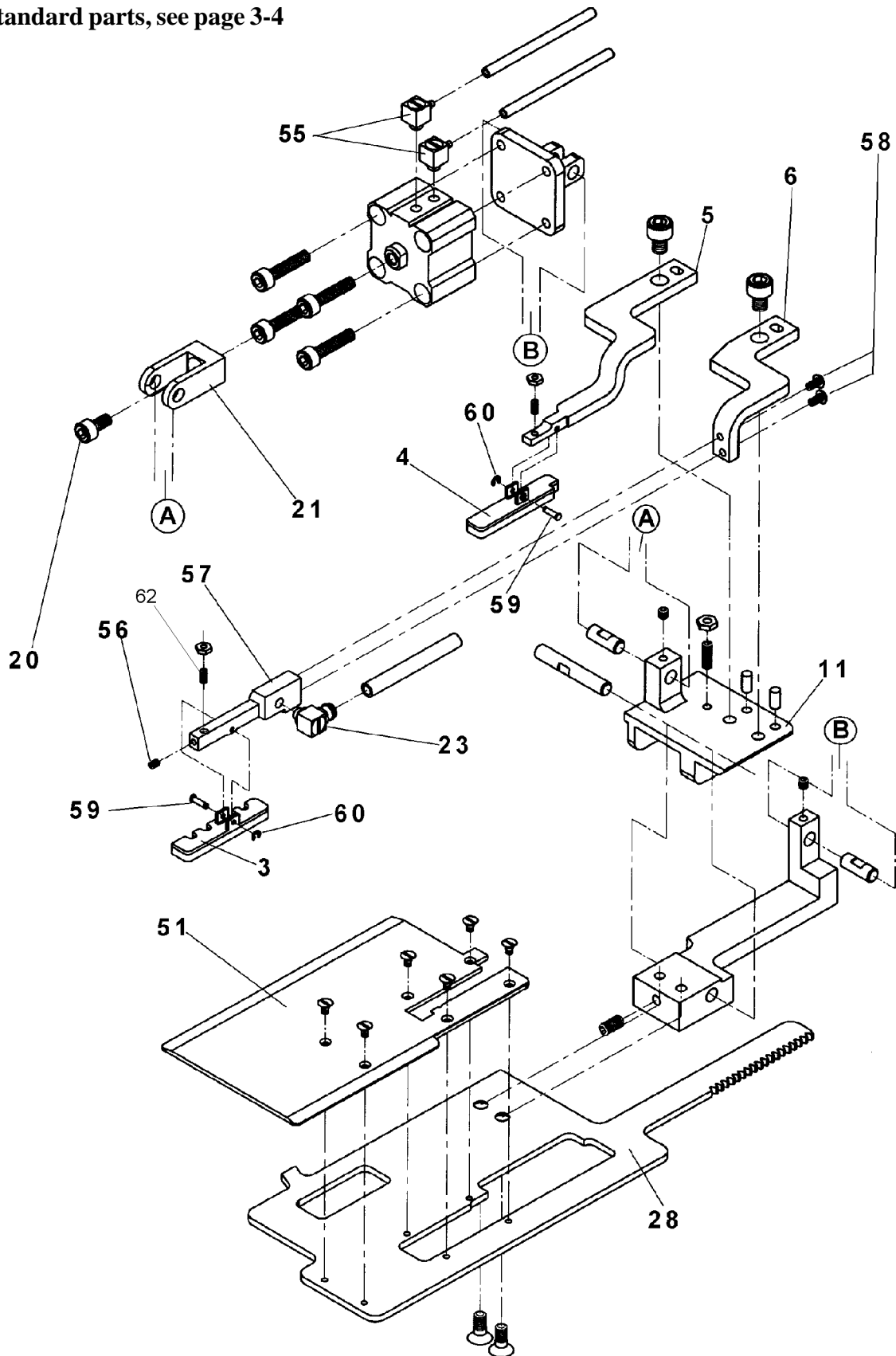
Revised 01/2005

e-mail: [service@amfreece.cz](mailto:service@amfreece.cz); [parts@amfreece.cz](mailto:parts@amfreece.cz); website: [www.amfreece.com](http://www.amfreece.com)

Phones: +420 582 309 146 (Service), +420 582 309 286 (Spare Parts); Fax: +420 582 360 606

## CLAMPING - CAED MODEL

For standard parts, see page 3-4



**CLAMPING - CAED MODEL**

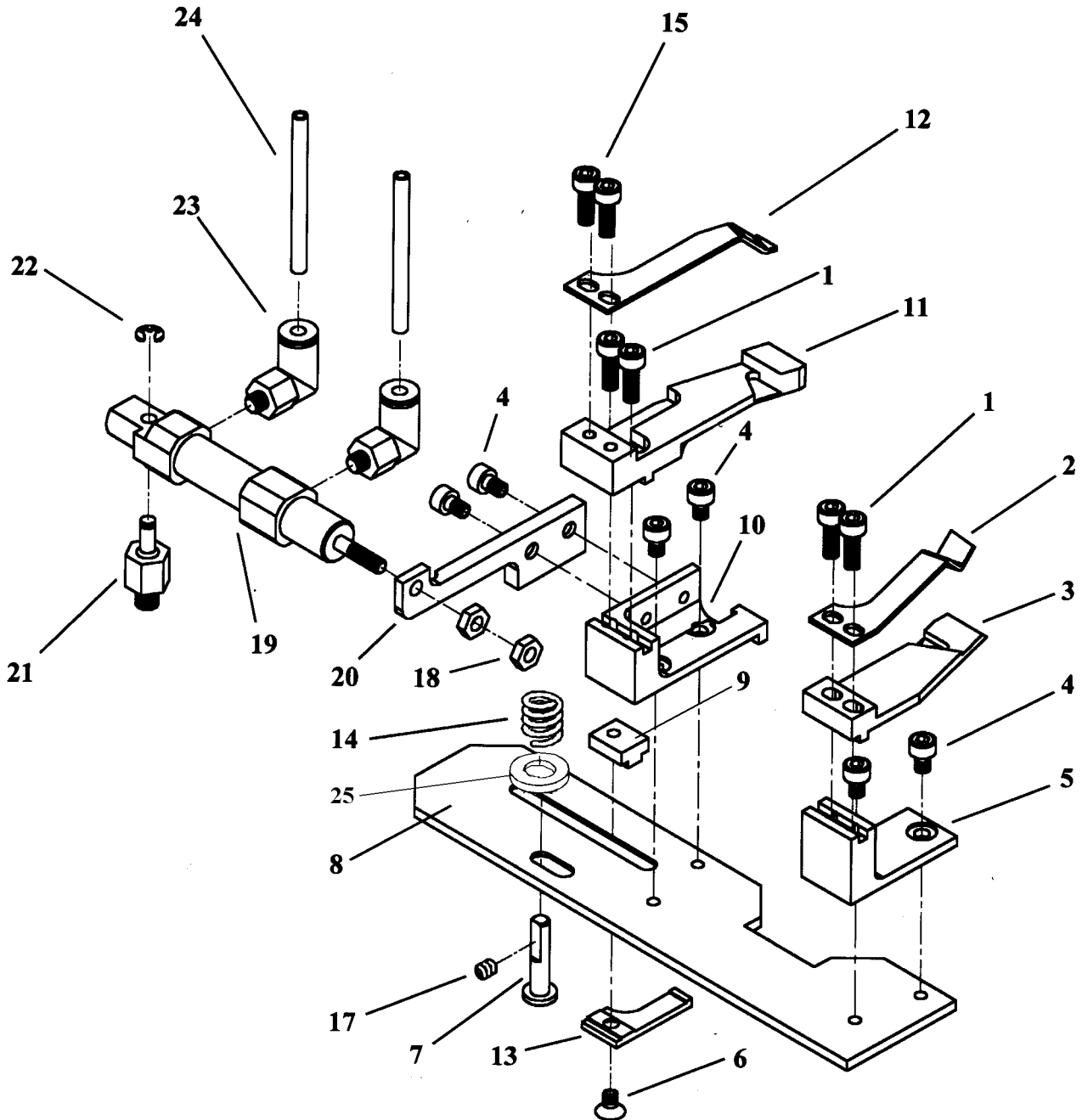
---

For standard parts, see page 3-4

DET	PART NUMER	DESCRIPTION
03	24.0224.4.000	R.H. Clamp Foot
04	22.0223.4.000	L.H. Clamp Foot
05	24.0226.4.000	L.H. Clamp Arm
06	24.0227.4.000	R.H. Clamp Arm
10	08.6000.6.012	M6x12 Screw
11	24.0157.0.000	Tail Pivot Clamp
20	08.6000.5.010	M5x10 Screw
21	24.2038.0.000	Cylinder Clevis
23	12.0008.3.462	Connector
28	24.0125.5.000	Clamp Plate
51	24.6102.4.003	Loading Plate
55	12.0008.3.444	Connector
56	08.6400.3.004	M3x4 Set Screw
57	24.2064.0.000	Clamp Arm Extension
58	08.6200.3.008	M3x8 Screw
59	24.2055.0.000	Stud
60	12.1045.0.012	E - Clip
62	08.6400.3.010	Set Screw M3x10

## SHIFTER MECHANISM - CAED MODEL

For standard parts, see page 3-8





**SHIFTER MECHANISM - CAED MODEL**

---

For standard parts, see page 3-8

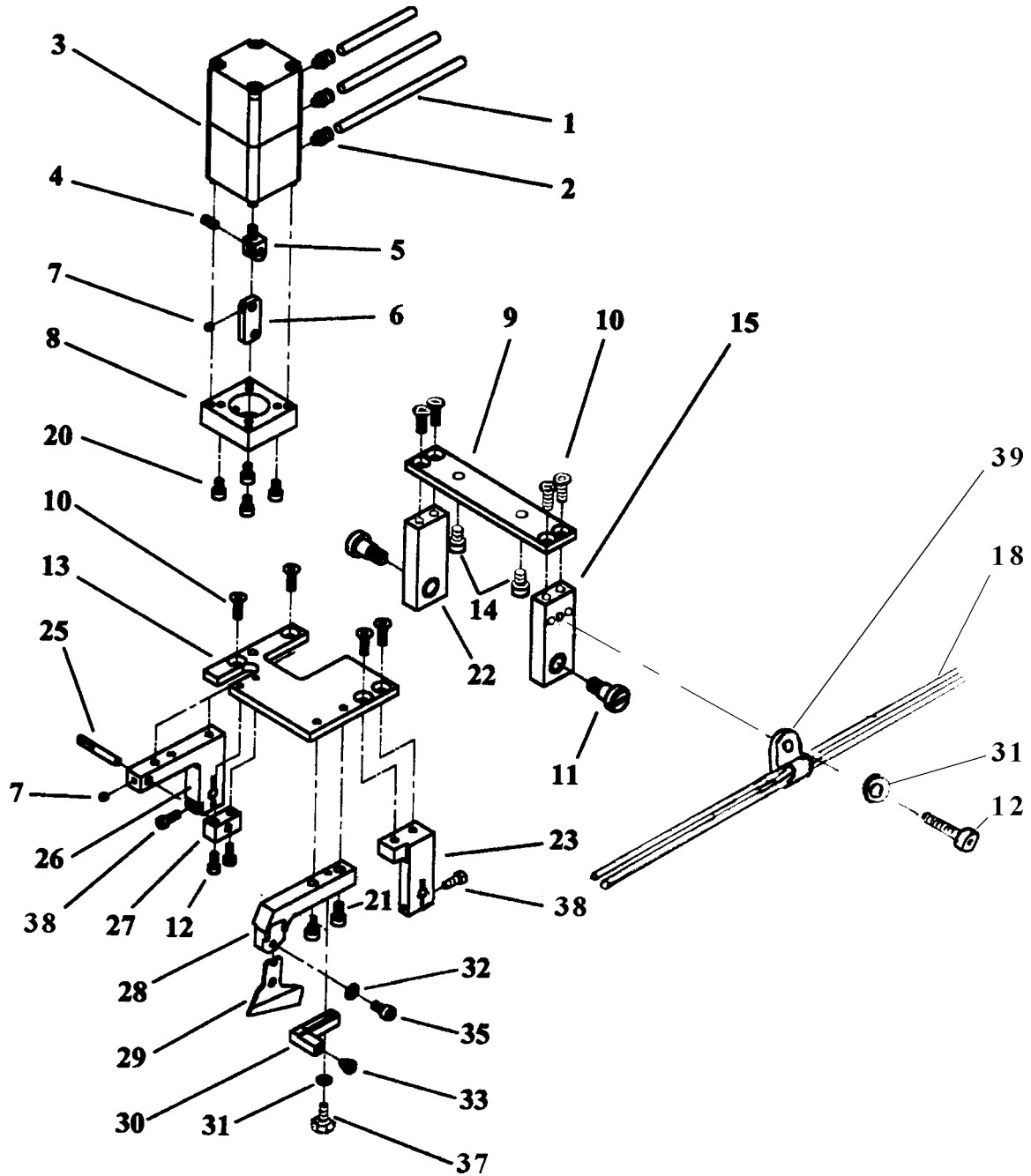
<b>DET</b>	<b>PART NUMBER</b>	<b>DESCRIPTION</b>
04	08.6000.4.005	M4x5 Screw
08	24.2665.2.000	Main Cam Shifter Plate TKF
09	22.0405.2.000	Adjustable Link Nut
10	24.2651.4.000	Left Shifter Block
11	24.2652.4.000	Left Shifter Arm
18	08.6710.4.000	M4 Nut
19	12.0008.3.410	Cylinder
20	24.2016.0.000	Shifter Pull Off Bracket
21	24.2017.0.000	Air Cylinder Mounting Post
22	07.6045.0.047	E-Clip Dia 3,2
23	12.0008.3.411	Connector
24	12.0008.3.416	Air Tubingl
25	08.6887.5.000	Washer

Revised 01/2005

e-mail: [service@amfreece.cz](mailto:service@amfreece.cz); [parts@amfreece.cz](mailto:parts@amfreece.cz); website: [www.amfreece.com](http://www.amfreece.com)

Phones: +420 582 309 146 (Service), +420 582 309 286 (Spare Parts); Fax: +420 582 360 606

**KNIFE MECHANISM - CAED MODEL**



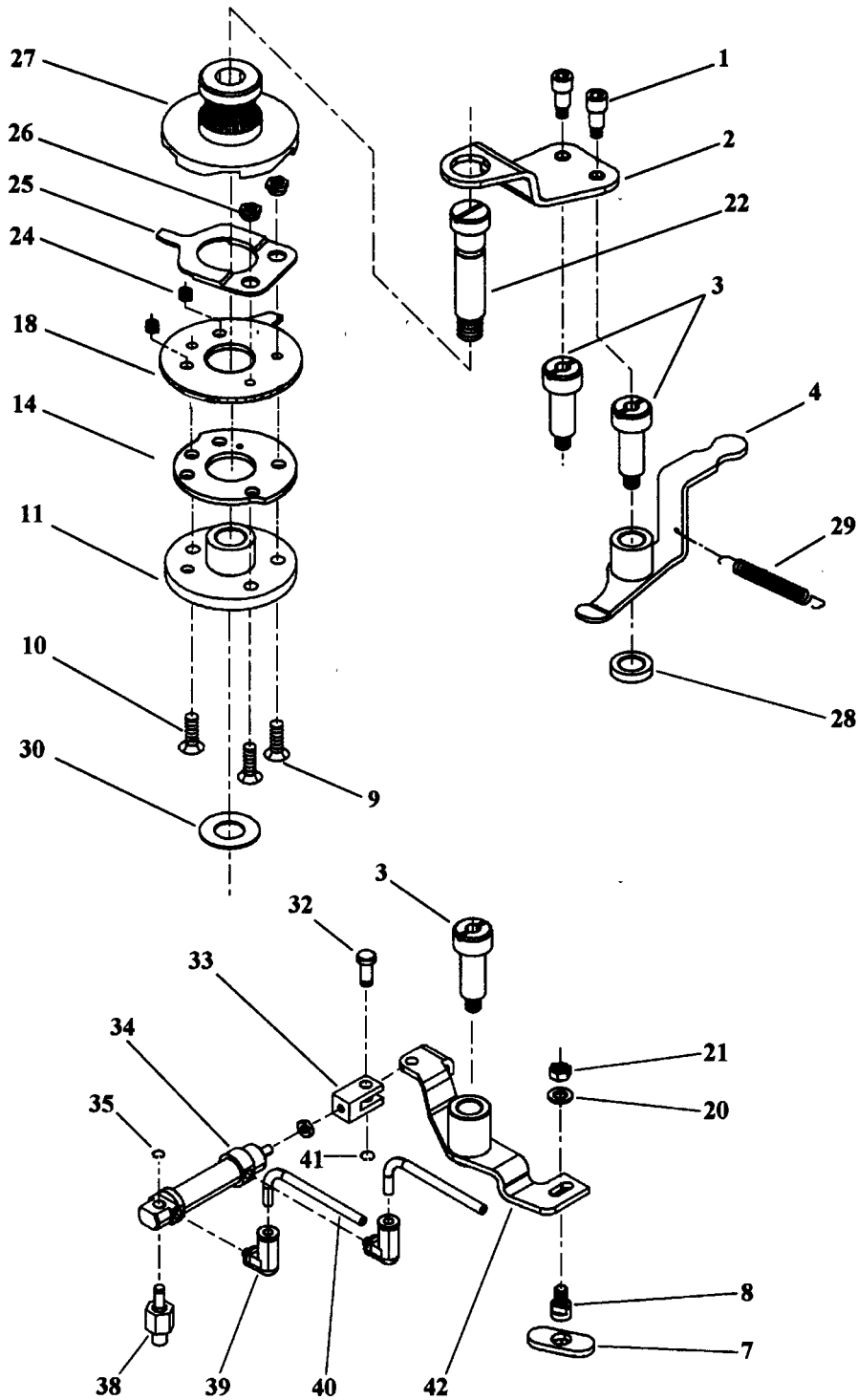
**KNIFE MECHANISM - CAED MODEL**

---

DET	PART NUMER	DESCRIPTION
01	12.0008.3.415	Air Tubing
02	12.0008.3.443	Connector
03	12.0008.3.442	Knife Cylinder
04	24.2015.0.000	Clevis Pin
05	24.2014.0.000	Clevis Cylinder
06	24.2013.0.000	Clevis Link
07	08.6400.4.004	M4x4 Set Screw
08	24.2069.0.000	Cylinder Stand-Off
09	24.2001.0.000	Base Plate
10	08.6100.5.016	M5x16 Screw
11	24.2004.0.000	Adjusting Screw
12	08.6000.4.010	M4x10 Screw
13	24.2005.0.000	Bridge Plate
14	08.6000.6.010	M6x10 Screw
15	24.2028.0.000	Plate Leg, Right-Assembly
20	08.6000.5.016	M5x16 Screw
21	08.6000.5.012	M5x12 Screw
22	24.2002.0.000	Plate Leg, Left-Assembly
23	24.2007.0.000	Knife Pivot Leg
24	08.6000.4.016	M4x16 Screw
25	24.2009.0.000	Knife Link Pin
26	24.2006.0.000	Bridge Support
27	24.2008.0.000	Clevis Link Support
28	24.2010.0.000	Knife Lever
29	20.0356.0.003	Knife CAED
30	24.2049.0.000	Thread Take-up Link Holder
31	08.6850.4.000	M4 Washer
32	08.6850.5.000	M5 Washer
33	24.2012.0.000	Thread Draw-Off Shoulder Screw
35	08.6200.5.006	M5x6 Screw
37	08.6310.4.014	M4x14 Screw
38	08.6000.5.020	M5x20 Screw
39	12.0008.4.279	Clamp

**MAIN CAM - CAED MODEL**

For standard parts, see page 3-20



**MAIN CAM - CAED MODEL**

---

For standard parts, see page 3-20

<b>DET</b>	<b>PART NUMER</b>	<b>DESCRIPTION</b>
04	24.2640.2.000	Feed Reversing Lever
11	24.3203.0.000	Barring Cam
14	24.3202.0.000	Feed Reversing Cam
18	24.2040.0.000	Stop Disk
32	24.2020.0.000	Cylinder Clevis Pin
33	24.2019.0.000	Cylinder Clevis
34	12.0008.3.410	Cylinder
35	07.6045.0.047	E-Clip Dia 3.2
38	24.2017.0.000	Air Cylinder Mounting Post
39	12.0008.3.411	Connector
40	12.0008.3.416	Air Tubing
41	07.6045.0.042	E-Clip 4
42	24.2018.0.000	Slidestone Pivot Bracket

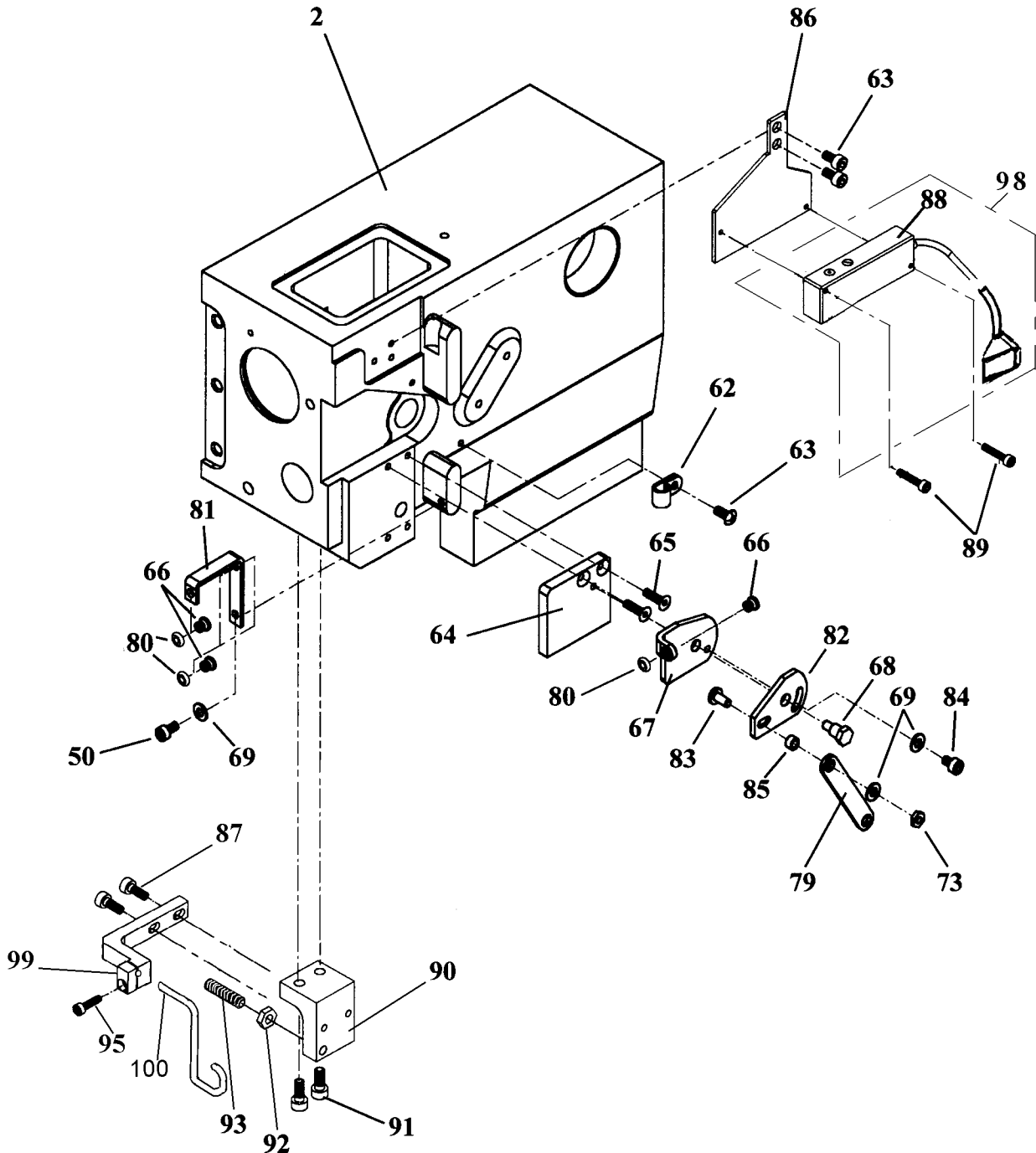
Revised 01/2005

e-mail: [service@amfreece.cz](mailto:service@amfreece.cz); [parts@amfreece.cz](mailto:parts@amfreece.cz); website: [www.amfreece.com](http://www.amfreece.com)

Phones: +420 582 309 146 (Service), +420 582 309 286 (Spare Parts); Fax: +420 582 360 606

## HEAD ASSEMBLY- CAED MODEL

For standard parts, see page 3-22



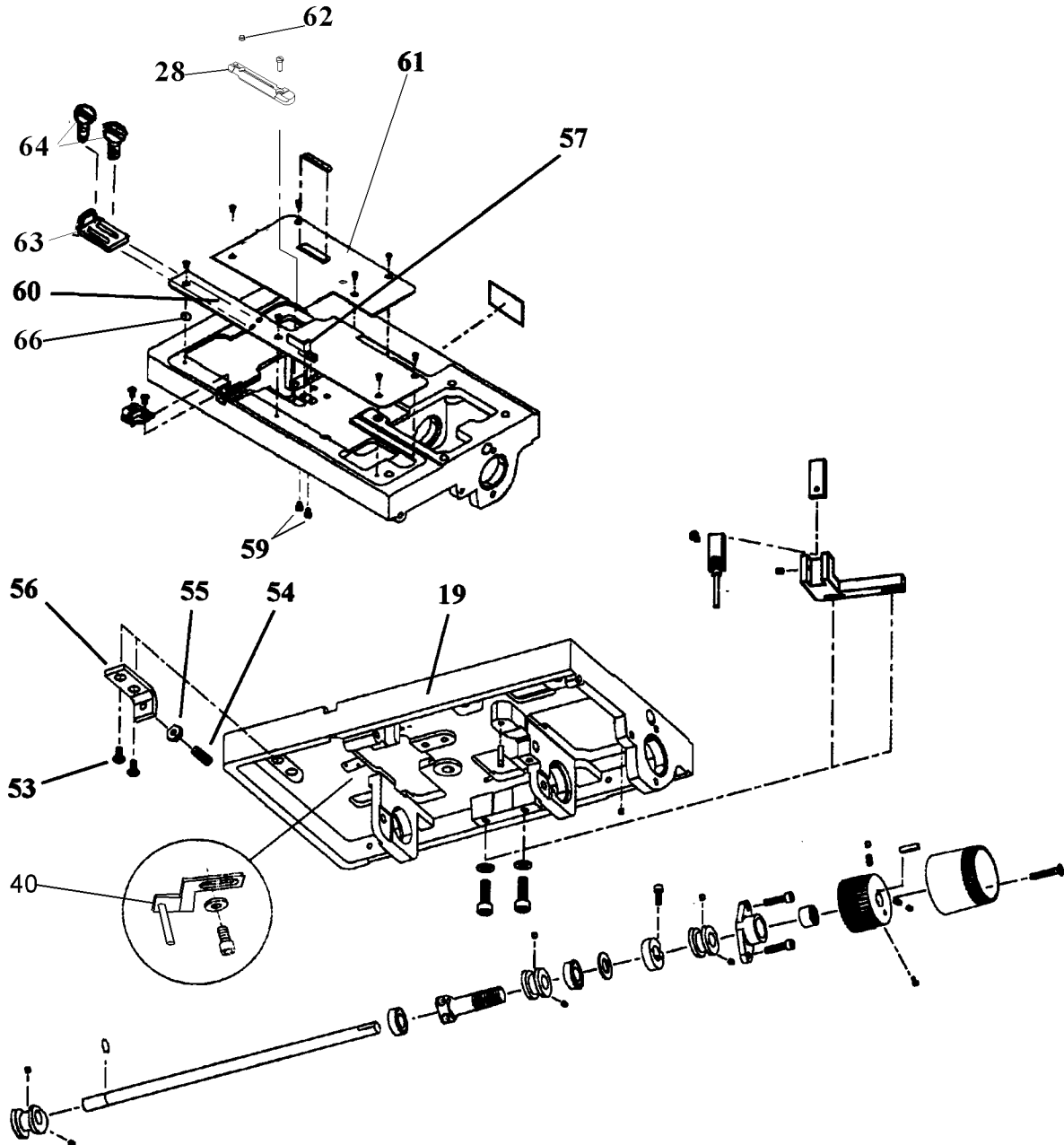
**HEAD ASSEMBLY- CAED MODEL**

For standard parts, see page 3-22

DET	PART NUMBER	DESCRIPTION
02	24.6000.4.000	Head CAED
62	12.0008.4.279	Clamp
63	08.6200.4.008	M4x8 Screw
64	24.2053.0.000	Thread Take-Up Plate
65	08.6100.4.014	M4x14 Screw
66	01.7447.1.000	Guide
67	24.2042.0.000	Thread Take-Up
68	24.2047.0.000	Pivot, Draw-Off
69	08.6850.4.000	M4 Washer
73	08.6700.4.000	M4 Nut
79	24.2046.0.000	Thread-Draw-Off Lever
80	01.6551.0.000	Retaining Ring
81	24.2048.0.000	Thread Guide Bracket
82	24.2043.0.000	Thread Draw-Off
83	24.2044.0.000	Screw, Thread Draw-Off Link
84	08.6000.4.006	M4x Screw
85	24.2045.0.000	Bearing Thread Draw-Off
86	24.2051.0.000	Optic Bracket
87	08.6000.4.010	M4x10 Screw
88	12.0008.4.476	Fiber Optic Sensor
89	08.6000.3.016	M3x16 Screw
90	24.2050.0.000	Cutting Lever Block
91	08.6000.5.012	M5x12 Screw
92	08.6710.6.000	M6 Nut
93	08.6490.6.025	M6 x25 Screw
94		
95	08.6000.3.005	M3x5 Screw
96		
97		
98	24.0059.9.014	Optic Sensor Assembly
99	24.2068.0.000	Bracket. Thead Blower Tube
100	242067.0.000	Thread Holder

# BEDPLATE - CAED MODEL

For standard parts, see page 3-24





**BEDPLATE - CAED MODEL**

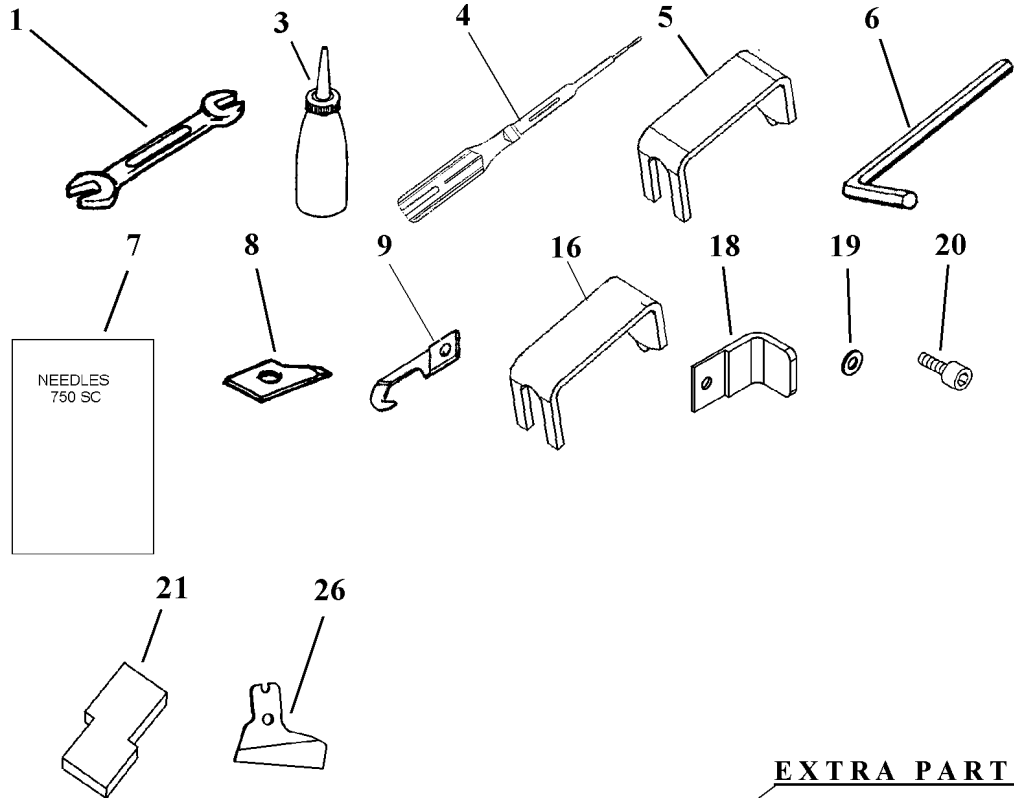
---

For standard parts, see page 3-24

DET	PART NUMER	DESCRIPTION
19	24.6100.4.000	Bedplate CAED
28	24.2063.0.000	Throat Plate
53	08.6200.5.006	M5x6 Screw
54	08.6400.4.012	M4x12 Set Screw
55	08.6700.4.000	M4 Nut
56	24.2025.0.000	Slidestone Pivot Stud Bracket
57	24.2024.0.000	Knife Support Block
59	08.6000.4.005	M4x5 Screw
60	24.6102.4.002	Right Cover Plate
61	24.6102.4.001	Left Cover Plate
62	12.0008.4.477	Glas Eye
63	24.2032.0.000	Material Guide
64	22.3068.0.000	Screw
40	24.3318.0.000	Block Off- Assembly
66	17.0019.0.228	Washer

**ACCESSORIES - CAED MODEL**

For standard parts, see page 3-34



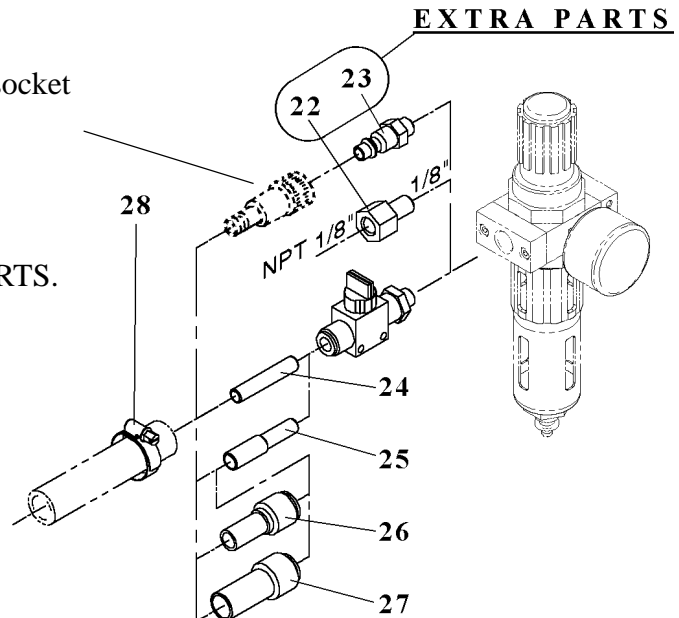
Simple connection for air adaptation will ensure socket of quick coupler.

Order number **SMC** :

dia 8 FBKBS0010000025MS0

dia 10 FBKBS000800025MS0

Unit has corresponding input *det 23* **EXTRA PARTS**.



## ACCESSORIES - CAED MODEL

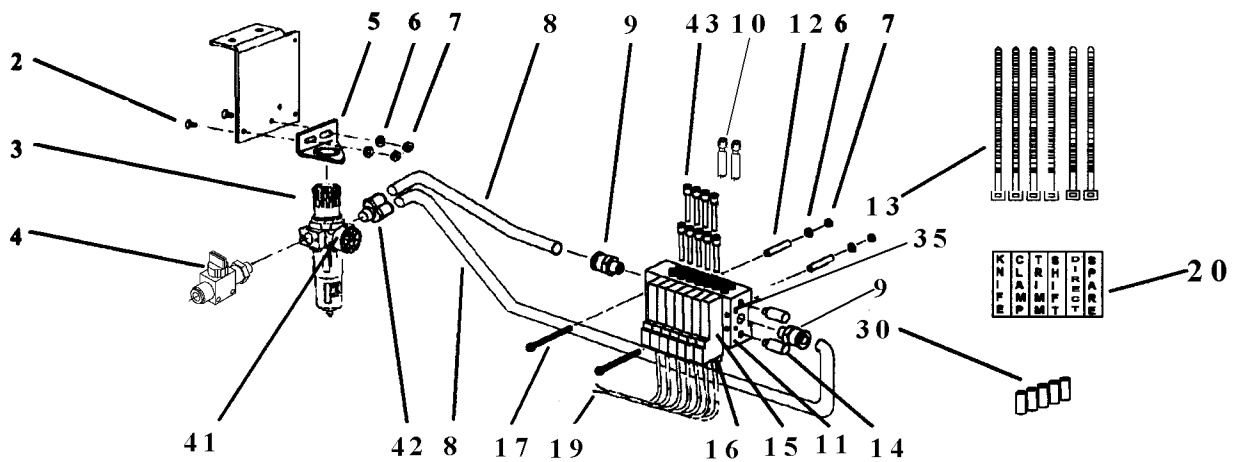
---

For standard parts, see page 3-34

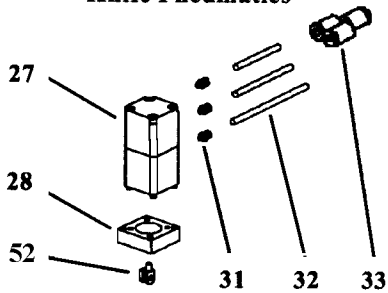
DET	PART NUMBER	DESCRIPTION
26	20.0356.0.003	Knife CAED

**PNEUMATICS - CAED MODEL**

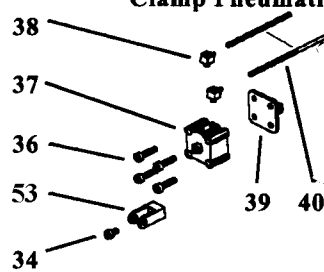
For standard parts, see page 3-38



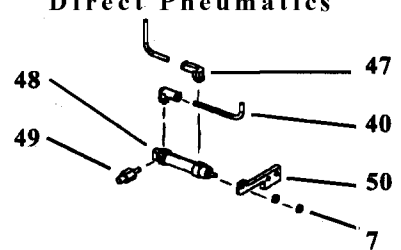
**Knife Pneumatics**



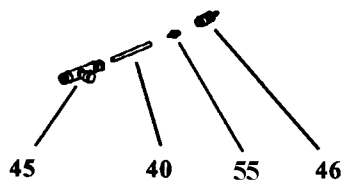
**Clamp Pneumatics**



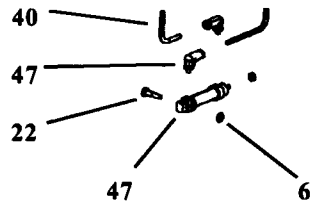
**Direct Pneumatics**



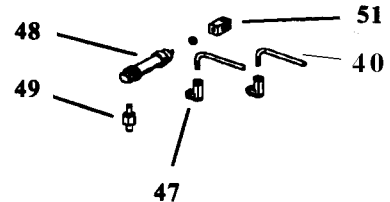
**Tension Release Pneumatics**



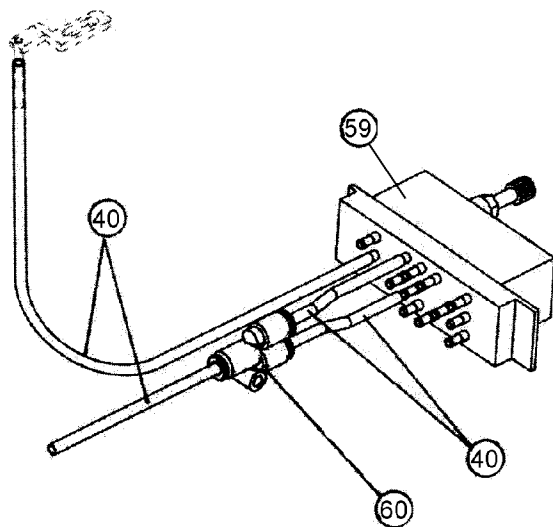
**Trimmer Pneumatics**



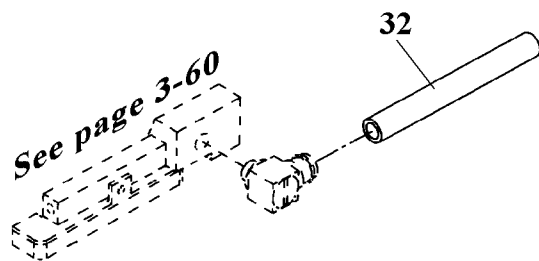
**Shifter Pneumatics**



**Thread Blow-Off**



**Material Airblow**



**PNEUMATICS - CAED MODEL**

For standard parts, see page 3-38

DET	PART NUMBER	DESCRIPTION
02	08.6100.4.012	M4x12 Screw
03	12.0008.3.417	Regulator
04	12.0008.3.463	Hand Valve
05	12.0008.3.419	Regulator Holder
06	08.6850.4.000	M4 Washer
07	08.6700.4.000	M4 Nut
08	12.0008.3.431	Air Tubing
09	12.0008.3.421	Connector
10	12.0008.3.437	Plug
11	12.0008.3.460	Manifold Plate
13	12.0008.3.023	Cable Holder
14	12.0008.3.427	Silencer
15	12.0008.3.423	5/2 Valve
16	12.0008.3.424	Connector With Cable
17	08.6000.4.070	M4x70 Screw
19	12.0008.4.146	Insulated Cable End Connector
20	12.0008.3.902	Valve Label
21	24.0034.0.000	Distance Tube
22	24.0006.0.000	Pivot Cylinder
27	12.0008.3.442	Knife Cylinder
28	24.2069.0.000	Cylinder Stand-Off
30	24.0015.0.000	Tubing
32	12.0008.3.415	Air Tubing
33	12.0008.3.449	Connector
34	08.6000.5.012	M5x12 Screw
35	12.0008.3.428	Plug
36	08.6000.5.022	M5x22 Screw
37	12.0008.3.412	Clamp Cylinder
38	12.0008.3.444	Connector
39	24.0036.0.000	Pivot Cylinder
40	12.0008.3.416	Air Tubing
41	12.0008.3.445	Manometer
42	12.0008.3.446	Connector
43	12.0008.3.447	Reduction
44		
45	12.0008.3.430	Speed Controller
46	12.0008.3.413	Tension Release Cylinder
47	12.0008.3.411	Connector
48	12.0008.3.410	Cylinder
49	24.2017.0.000	Air Cylinder Mounting Post
50	24.2016.0.000	Shifter Pull Off Bracket
51	24.2019.0.000	Wiper Cylinder Clevis
52	24.2014.0.000	Knife Cylinder Clevis
53	24.0038.0.000	Clamp Cylinder Clevis
54		
55	12.0008.3.414	Connector
56	12.0008.3.462	Connector
59	12.0008.3.268	Timing Valve
60	12.0008.3.429	Connector

Revised 01/2005

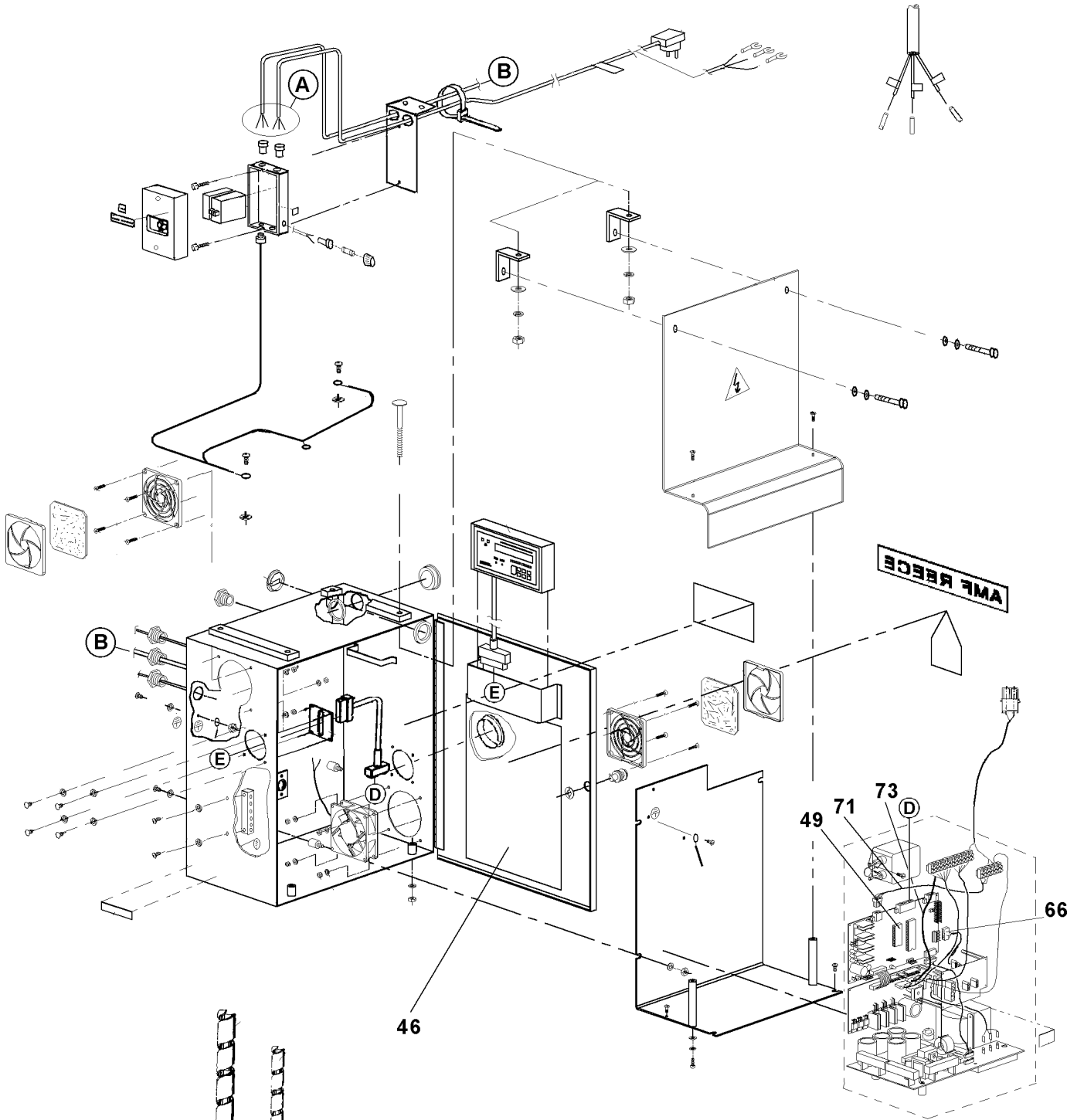
e-mail: [service@amfreece.cz](mailto:service@amfreece.cz); [parts@amfreece.cz](mailto:parts@amfreece.cz); website: [www.amfreece.com](http://www.amfreece.com)

Phones: +420 582 309 146 (Service), +420 582 309 286 (Spare Parts); Fax: +420 582 360 606

**ELECTRICAL BOX ASSEMBLY - CAED MODEL**

For standard parts, see page 3-41

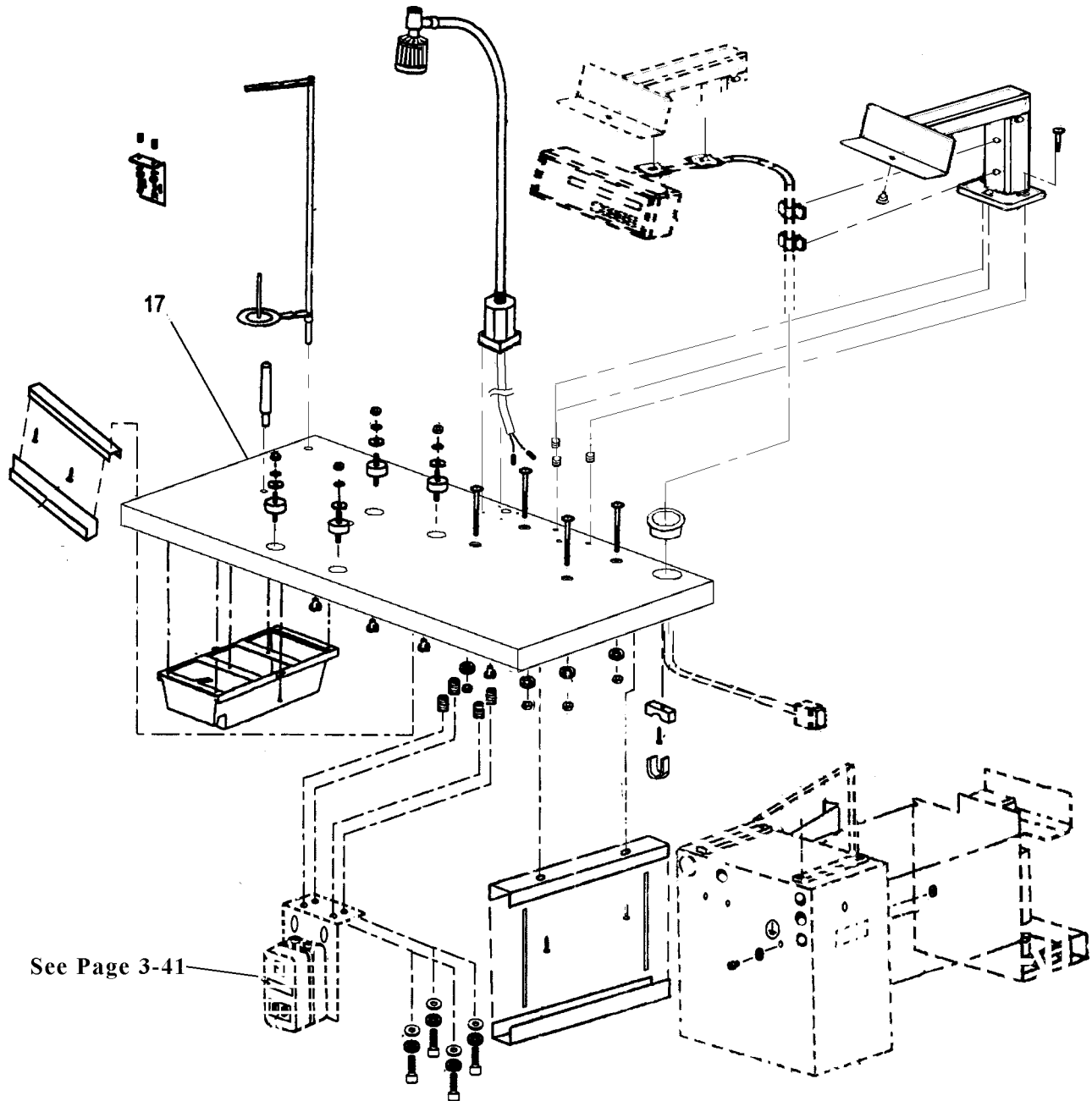
DETAIL A



DET	PART NUMER	DESCRIPTION
46	12.8000.0.094	El. Diagram Label (CAED)
49	24.0105.4.000	E-Prom (CAED)
66	24.2041.0.000	Cable Proxim. Sensor CEAD
71	24.0059.9.018	Cable
73	24.0059.9.019	Cable

**TABLE - CAED MODEL**

For standard parts, see page 3-28



DET	PART NUMER	DESCRIPTION
17	24.0098.4.000	S4000 CAED Crosswise Table Top

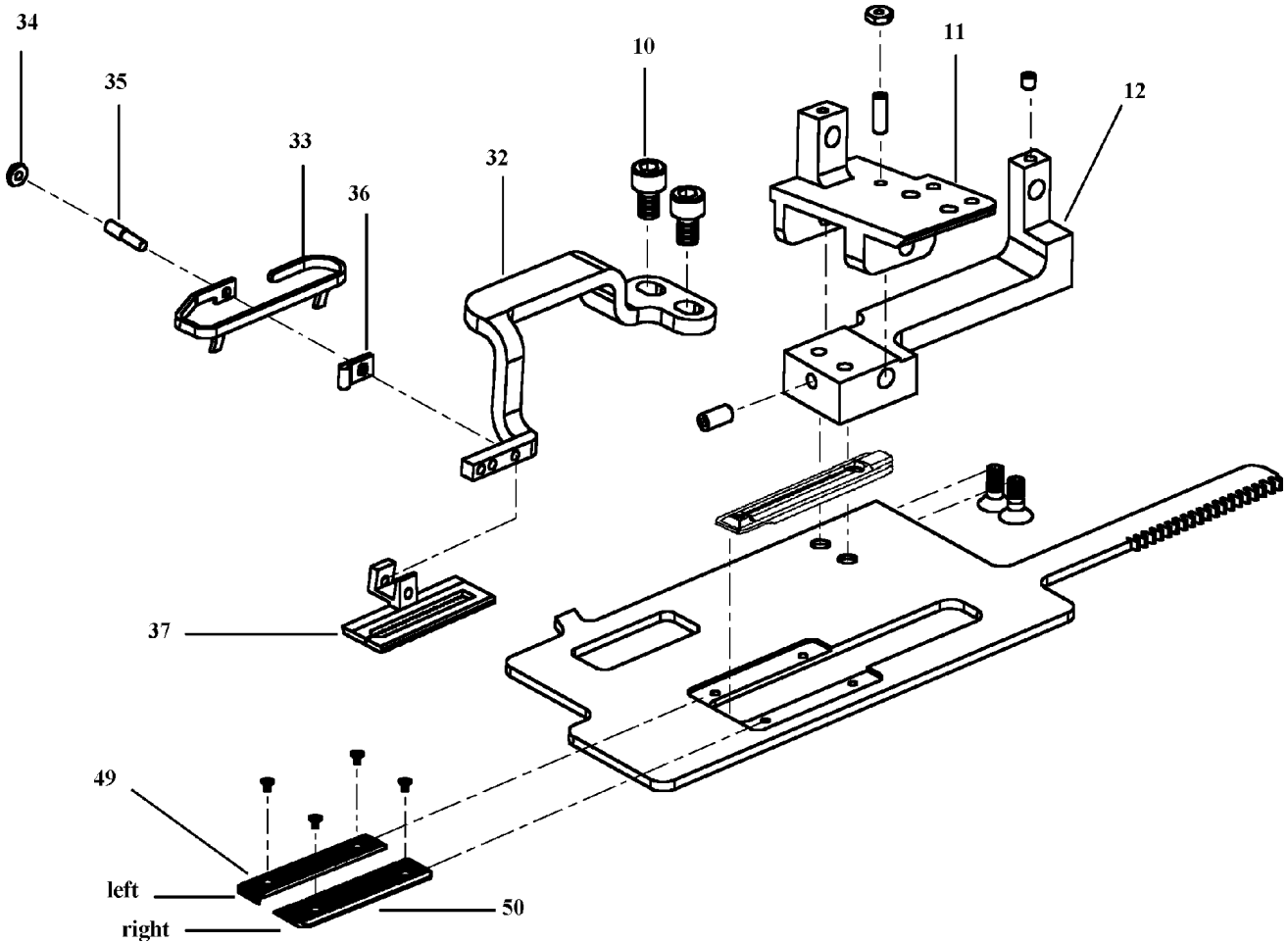
Revised 01/2005

e-mail: [service@amfreece.cz](mailto:service@amfreece.cz); [parts@amfreece.cz](mailto:parts@amfreece.cz); website: [www.amfreece.com](http://www.amfreece.com)

Phones: +420 582 309 146 (Service), +420 582 309 286 (Spare Parts); Fax: +420 582 360 606

## CLAMPING - TKF MODEL

For standard parts, see page 3-4

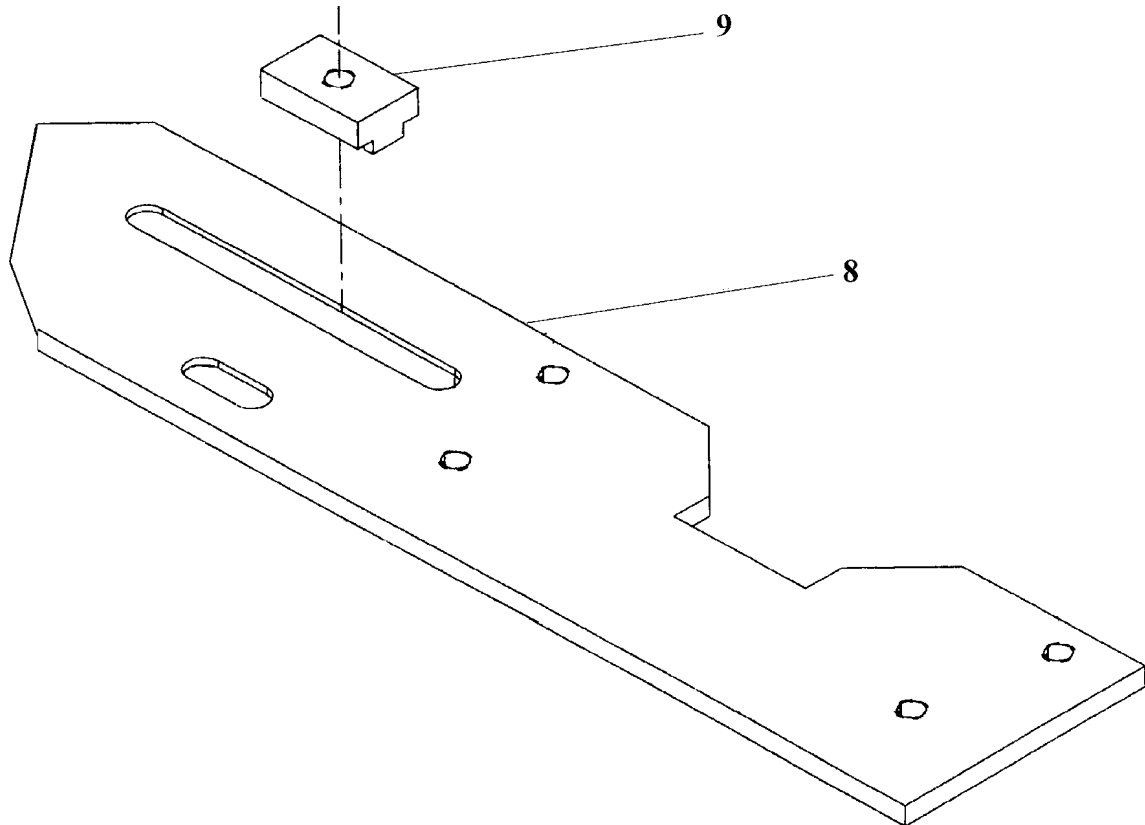


DET	PART NUMBER	DESCRIPTION
32	22.3217.0.000	Clamp Arm
33	20.0767.1.022	Needle Guard *1-1/2"
34	01.3065.0.000	Nut
35	01.1125.0.000	Shoulder Set Screw
36	01.5174.0.000	Spacer Spring
37	20.0650.0.640	Clamp Foot *1-1/2"
49	24.3205.0.001	LH Clamp Mat
50	24.3205.0.002	RH Clamp Mat



**SHIFTER - TKF, LS**

For standard parts, see page 3-8



DET	PART NUMER	DESCRIPTION
08	24.2665.2.000	Main Cam Shifter Plate
09	22.0405.2.000	Adjustable Limk Nut

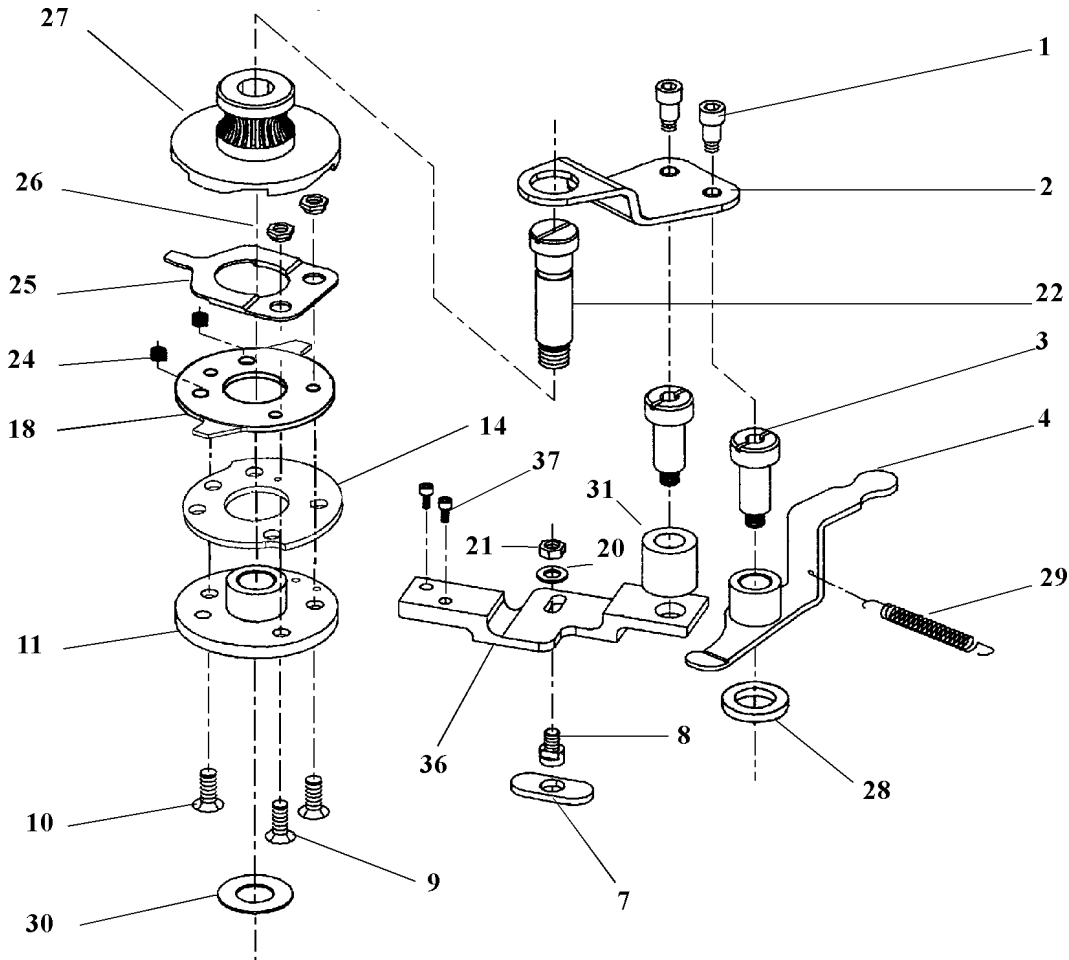
Revised 01/2005

e-mail: [service@amfreece.cz](mailto:service@amfreece.cz); [parts@amfreece.cz](mailto:parts@amfreece.cz); website: [www.amfreece.com](http://www.amfreece.com)

Phones: +420 582 309 146 (Service), +420 582 309 286 (Spare Parts); Fax: +420 582 360 606

## MAIN CAM - TKF MODEL

For standard parts, see page 3-20

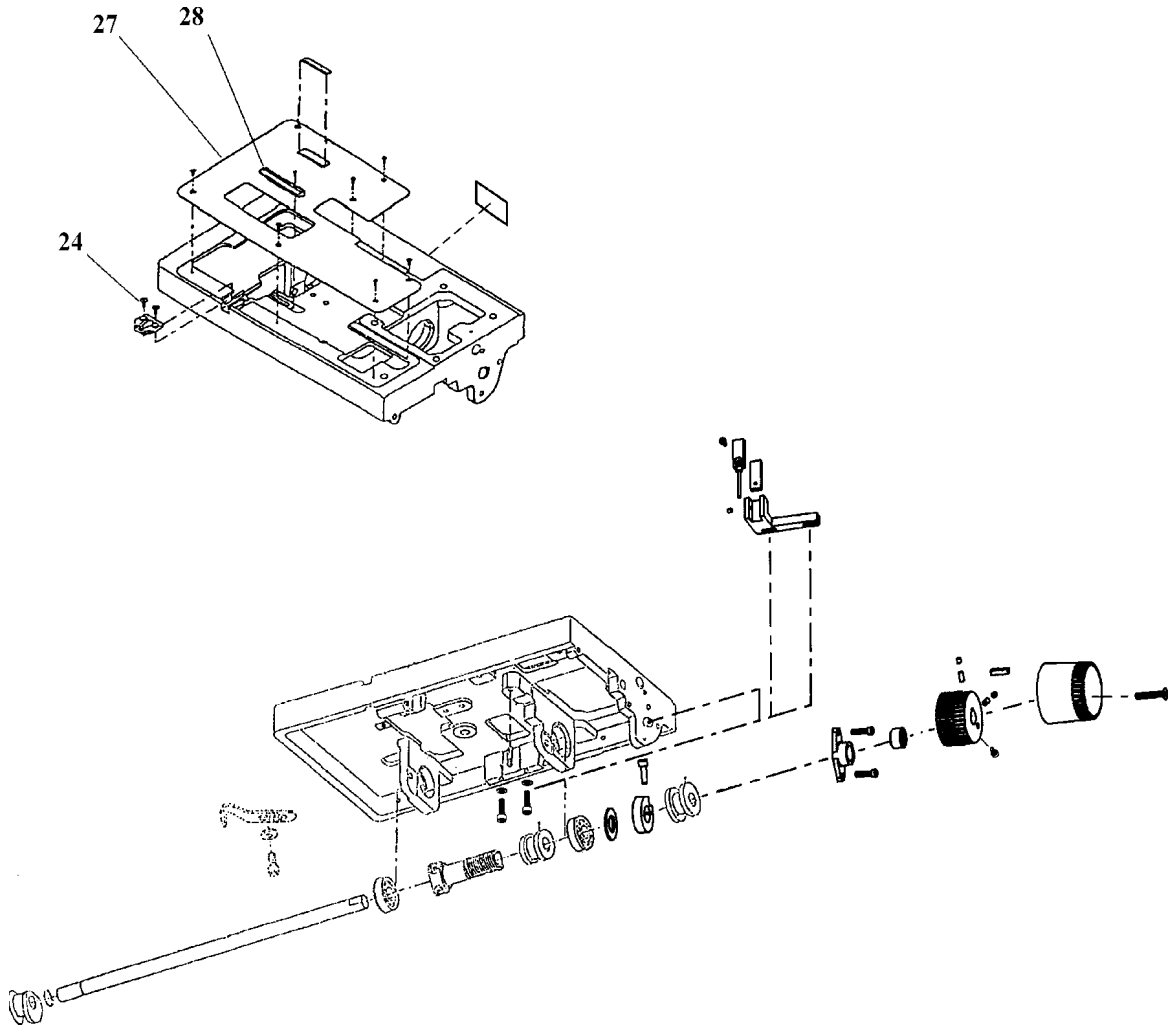


DET	PART NUMER	DESCRIPTION
04	24.2640.2.000	Feed Reversing Lever
11	24.3203.0.000	Barring Cam
14	24.3202.0.000	Feed Reversing Cam
18	24.3200.0.000	Stop Cam Disk
25	22.2626.0.000	Drive Disk Switch Spring
27	22.2607.0.000	Drive Disk/Worm Gear Hub
31	22.3206.0.000	Clamp Plate Lever Spacer
36	22.3216.0.000	Clamp Plate Lever
37	08.6000.4.012	M4x12 Screw

Revised 01/2005

## BEDPLATE - TKF MODEL

For standard parts, see page 3-24



DET	PART NUMBER	DESCRIPTION
24	22.0408.0.000	Trimmer Cover Plate
27	22.6101.2.000	Cover Plate TKF
28	22.3034.0.000	Throat Plate

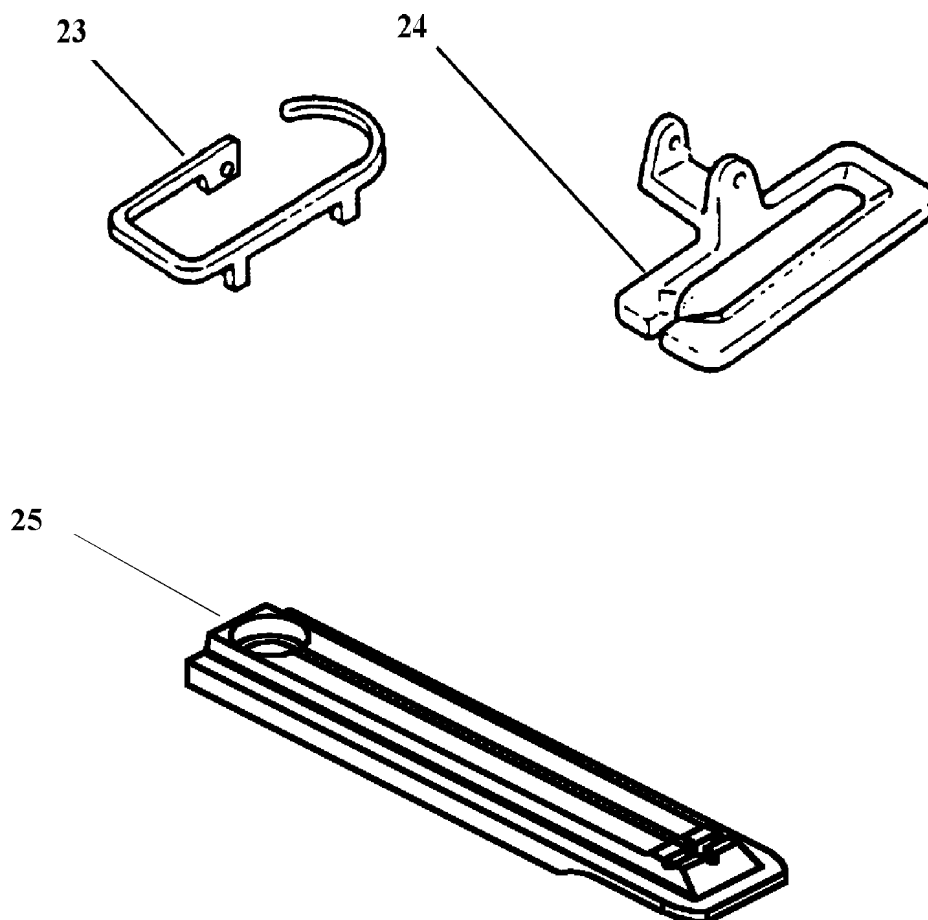
Revised 01/2005

e-mail: [service@amfreece.cz](mailto:service@amfreece.cz); [parts@amfreece.cz](mailto:parts@amfreece.cz); website: [www.amfreece.com](http://www.amfreece.com)

Phones: +420 582 309 146 (Service), +420 582 309 286 (Spare Parts); Fax: +420 582 360 606

**EXTRA PARTS - TKF MODEL**

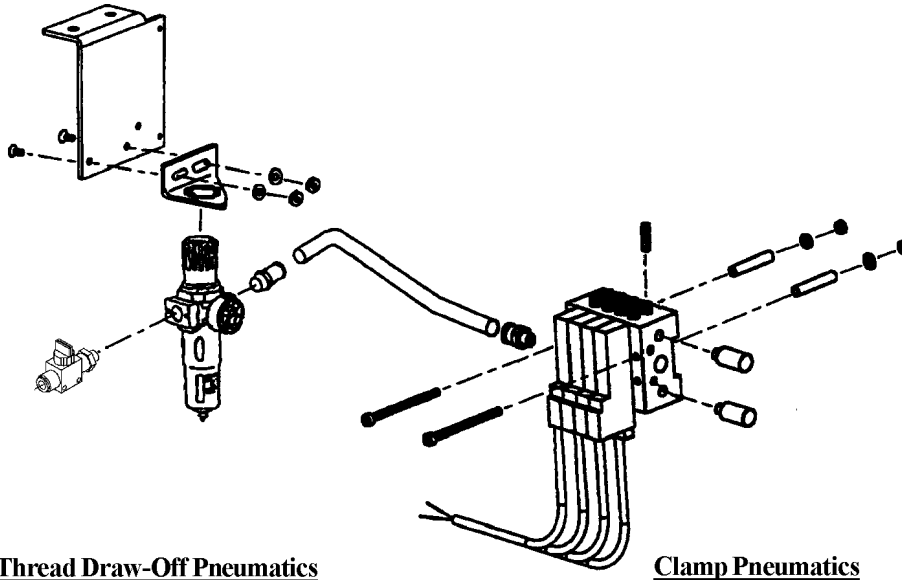

---



DET	PART NUMBER	DESCRIPTION
23	20.0767.1.003	Needle Guard *3/4"
23	20.0767.1.002	Needle Guard *3/8"
24	20.0650.0.340	Clamp Foot *3/4"
24	20.0650.0.240	Clamp Foot *3/8"
25	24.3206.0.000	Throat Plate, 3mm (.118") bite

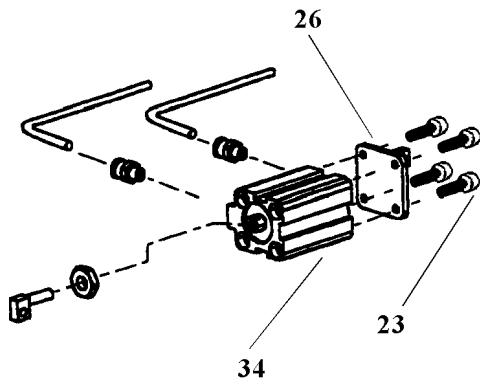
**PNEUMATICS - TKF MODEL**

For standard parts, see page 3-38

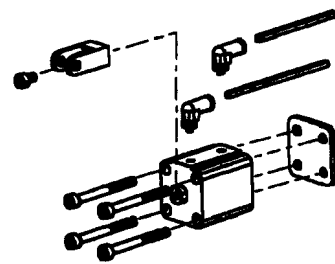


Thread Draw-Off Pneumatics

Clamp Pneumatics



Tension Release Pneumatics



Trimmer Pneumatics



DET	PART NUMBER	DESCRIPTION
23	08.6000.5.012	M5x12 Screw
26	24.0039.1.000	Thread Daw-Off Bracket
34	12.0008.3.433	Thread Daw-Off Cylinder

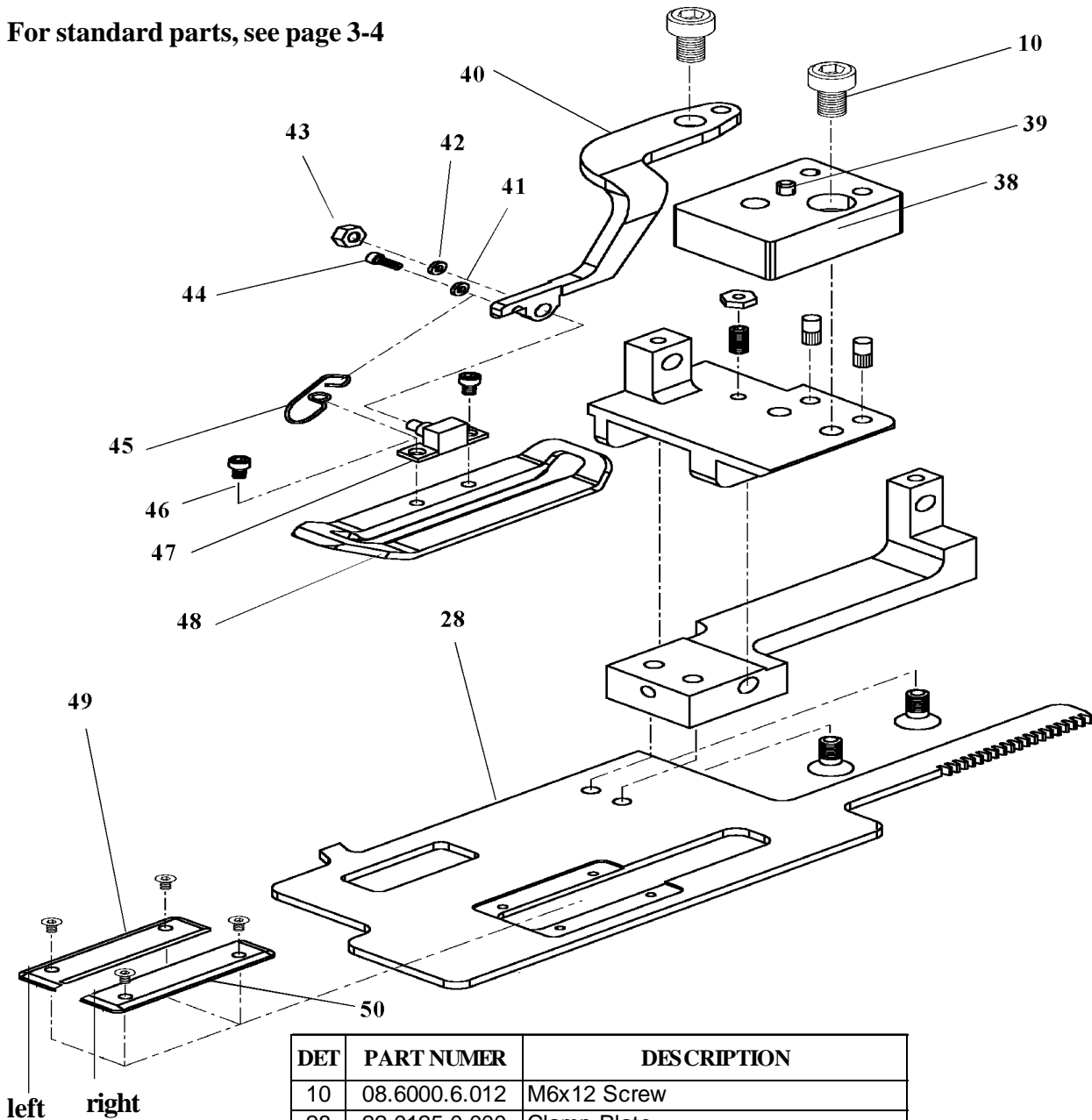
Revised 01/2005

e-mail: [service@amfreece.cz](mailto:service@amfreece.cz); [parts@amfreece.cz](mailto:parts@amfreece.cz); website: [www.amfreece.com](http://www.amfreece.com)

Phones: +420 582 309 146 (Service), +420 582 309 286 (Spare Parts); Fax: +420 582 360 606

## CLAMPING - LABEL SEWER MODEL

For standard parts, see page 3-4

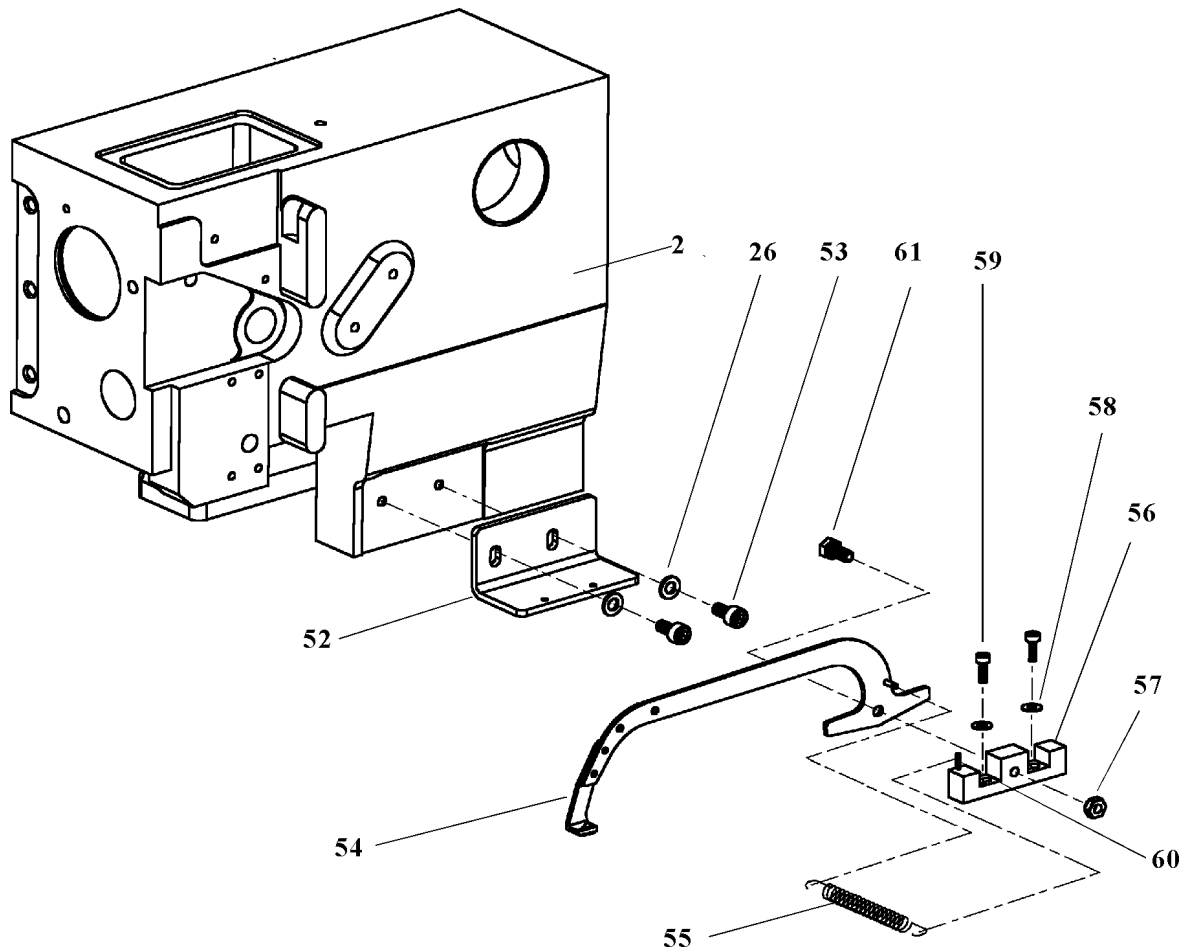


DET	PART NUMBER	DESCRIPTION
10	08.6000.6.012	M6x12 Screw
28	22.0125.0.000	Clamp Plate
38	24.3207.0.000	Clamp Arm Spacer 1 1/2"
39	07.6045.0.046	Pin
40	22.3256.0.000	Clamp Arm
41	01.4474.0.000	Plain Washer
42	08.6850.4.000	M4 Washer
43	22.0179.0.000	M3.5x0.5 Nut
44	01.2136.0.000	4-60x.187L Screw
45	01.5445.0.000	Spring
46	01.2563.0.000	6-52x.171L Screw
47	22.3251.0.000	Bracket Assembly
48	20.0650.0.606	Clamp Foot 1 1/2"
49	24.3205.0.001	LH Clamp Mat
50	24.3205.0.002	RH Clamp Mat

Revised 01/2005

## HEAD - LABEL SEWER MODEL

For standard parts, see page 3-22



DET	PART NUMER	DESCRIPTION
02	24.6000.3.000	Head TKF, LS
26	08.6850.5.000	M5 Washer
52	22.3252.0.000	Mounting Plate
53	08.6000.5.010	M5x10Screw
54	22.3255.0.000	Hold Down
55	07.6440.0.046	Extension Spring
56	20.0681.0.000	Bracket
57	01.3005.0.000	3/16-36 Nut
58	08.6852.3.000	M3 Washer
59	08.6000.3.010	M3x10Screw
60	01.6038.0.000	Anchor Pin
61	01.2527.0.000	3/16-36 Hex Bolt

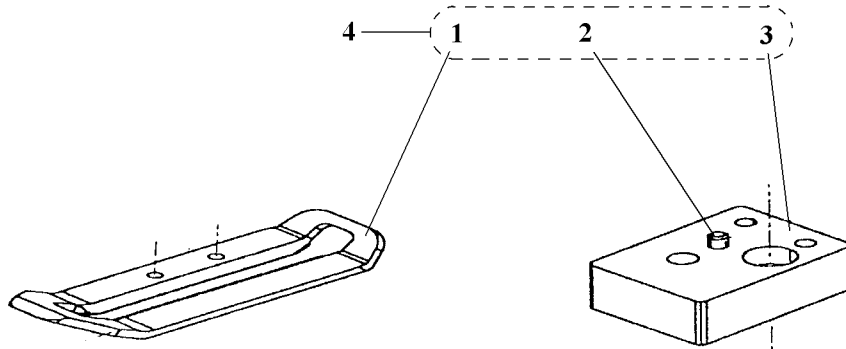
Revised 01/2005

e-mail: [service@amfreece.cz](mailto:service@amfreece.cz); [parts@amfreece.cz](mailto:parts@amfreece.cz); website: [www.amfreece.com](http://www.amfreece.com)

Phones: +420 582 309 146 (Service), +420 582 309 286 (Spare Parts); Fax: +420 582 360 606

## EXTRA PARTS - LABEL SEWER

---



DET	PART NUMER	DESCRIPTION
01	20.0650.1.706	Clamp Foot 2"
02	07.6045.0.046	Pin
03	22.3250.0.000	Spacer 2"
04	24.9920.9.989	Clamp Foot 2" - Assembly



**INDEX**

PART NUMBER	PAGE	DET	PART NUMBER	PAGE	DET	PART NUMBER	PAGE	DET
<b>01.1125.0.000</b>			<b>07.6045.0.009</b>			<b>08.6000.3.040</b>		
01.1125.0.000	3-78	35	07.6045.0.009	3-11	32	08.6000.3.040	3-27	13
01.1382.0.000	3-13	04	07.6045.0.034	3-11	30	<b>08.6000.4.005</b>		
01.1397.0.000	3-13	08	07.6045.0.037	3-11	49	08.6000.4.005	3-9	04
01.2084.0.000	3-25	29	07.6045.0.037	3-23	09	08.6000.4.005	3-11	57
01.2136.0.000	3-84	44	07.6045.0.042	3-7	04	08.6000.4.005	3-23	50
01.2193.0.000	3-3	02	07.6045.0.042	3-19	16	08.6000.4.005	3-35	20
01.2376.0.000	3-5	02	07.6045.0.042	3-67	41	08.6000.4.005	3-63	04
01.2386.0.000	3-7	11	07.6045.0.046	3-5	17	08.6000.4.005	3-71	59
01.2527.0.000	3-85	61	07.6045.0.046	3-84	39	08.6000.4.006	3-19	15
01.2563.0.000	3-84	46	07.6045.0.046	3-86	02	08.6000.4.006	3-25	42
01.3005.0.000	3-85	57	07.6045.0.047	3-63	22	08.6000.4.006	3-27	07
01.3065.0.000	3-78	34	07.6045.0.047	3-67	35	08.6000.4.006	3-43	13
01.4474.0.000	3-84	41	07.6045.0.053	3-23	21	08.6000.4.006	3-69	84
01.5174.0.000	3-78	36	07.6045.0.054	3-25	20	08.6000.4.010	3-9	15
01.5445.0.000	3-84	45	07.6087.0.002	3-41	74	08.6000.4.010	3-19	04
01.6038.0.000	3-85	60	07.6321.0.001	3-21	30	08.6000.4.010	3-65	12
01.6551.0.000	3-3	07	07.6321.0.025	3-11	18	08.6000.4.010	3-69	87
01.6551.0.000	3-19	26	07.6321.0.025	3-17	11	08.6000.4.012	3-7	03
01.6551.0.000	3-69	80	07.6321.0.029	3-17	18	08.6000.4.012	3-19	37
01.7447.1.000	3-3	04	07.6321.0.030	3-11	59	08.6000.4.012	3-52	23
01.7447.1.000	3-19	30	07.6440.0.018	3-11	23	08.6000.4.012	3-80	37
01.7447.1.000	3-69	66	07.6440.0.028	3-11	39	08.6000.4.014	3-11	12
01.7804.0.000	3-3	18	07.6440.0.028	3-17	16	08.6000.4.014	3-13	11
01.7805.0.000	3-3	23	07.6440.0.032	3-51	21	08.6000.4.014	3-17	05
01.7805.0.000	3-25	07	07.6440.0.033	3-11	33	08.6000.4.014	3-25	47
01.7806.0.000	3-23	19	07.6440.0.036	3-13	27	08.6000.4.016	3-9	01
01.7809.0.000	3-3	17	07.6440.0.037	3-21	24	08.6000.4.016	3-19	10
<b>02.0750.2.110</b>			07.6440.0.040	3-9	14	08.6000.4.016	3-19	10
02.0750.2.110	3-3	32	07.6440.0.041	3-11	42	08.6000.4.016	3-25	22
02.0750.2.110	3-35	07	07.6440.0.045	3-21	29	08.6000.4.016	3-65	24
<b>04.9000.2.123</b>			07.6440.0.046	3-85	55	08.6000.4.025	3-11	07
04.9000.2.123	3-31	01	07.6440.0.050	3-11	51	08.6000.4.070	3-27	12
05.1322.0.000	3-35	03	07.6440.0.051	3-23	06	08.6000.4.070	3-39	17
05.1391.0.000	3-15	07	<b>08.6000.3.005</b>			<b>08.6000.5.008</b>		
05.1392.0.000	3-41	50	08.6000.3.005	3-69	95	08.6000.5.008	3-19	24
05.1394.0.000	3-25	49	08.6000.3.006	3-19	31	08.6000.5.010	3-61	20
05.1395.0.000	3-41	32	08.6000.3.006	3-25	05	08.6000.5.010	3-85	53
05.4116.0.000	3-23	42	08.6000.3.006	3-43	12	08.6000.5.012	3-5	20
05.4116.0.000	3-27	14	08.6000.3.010	3-11	46	08.6000.5.012	3-39	27
06.5094.2.000	3-41	62	08.6000.3.010	3-13	31	08.6000.5.012	3-65	21
06.5095.0.000	3-41	61	08.6000.3.010	3-17	23	08.6000.5.012	3-69	91
06.5116.0.000	3-41	60	08.6000.3.010	3-85	59	08.6000.5.012	3-75	34
			08.6000.3.016	3-27	03	08.6000.5.012	3-83	23
			08.6000.3.016	3-69	89			

Revised 01/2005

e-mail: [service@amfreece.cz](mailto:service@amfreece.cz); [parts@amfreece.cz](mailto:parts@amfreece.cz); website: [www.amfreece.com](http://www.amfreece.com)

Phones: +420 582 309 146 (Service), +420 582 309 286 (Spare Parts); Fax: +420 582 360 606

**INDEX**

PART NUMBER	PAGE	DET	PART NUMBER	PAGE	DET	PART NUMBER	PAGE	DET
<b>08.6000.5.016</b>			<b>08.6100.4.006</b>			<b>08.6400.3.005</b>		
08.6000.5.016	3-3	37	08.6100.4.006	3-54	25	08.6400.3.005	3-3	12
08.6000.5.016	3-19	02	08.6100.4.012	3-21	23	08.6400.3.006	3-5	09
08.6000.5.016	3-23	27	08.6100.4.012	3-31	14	08.6400.3.006	3-37	09
08.6000.5.016	3-25	31	08.6100.4.012	3-39	02	08.6400.3.010	3-61	62
08.6000.5.016	3-65	20	08.6100.4.012	3-75	02	08.6400.3.020	3-21	05
08.6000.5.020	3-11	31	08.6100.4.014	3-41	58	08.6400.4.004	3-3	21
08.6000.5.020	3-65	38	08.6100.4.014	3-69	65	08.6400.4.004	3-5	15
08.6000.5.022	3-5	25	08.6100.4.020	3-41	57	08.6400.4.004	3-13	25
08.6000.5.022	3-39	33	08.6100.5.010	3-21	10	08.6400.4.004	3-19	33
08.6000.5.022	3-75	36	08.6100.5.012	3-5	27	08.6400.4.004	3-25	48
08.6000.5.040	3-19	20	08.6100.5.012	3-15	03	08.6400.4.004	3-65	07
08.6000.5.040	3-39	23	08.6100.5.012	3-27	10	08.6400.4.005	3-9	17
			08.6100.5.016	3-65	10	08.6400.4.005	3-11	08
<b>08.6000.6.008</b>			08.6100.5.020	3-13	02	08.6400.4.005	3-17	25
08.6000.6.008	3-5	10	08.6100.5.020	3-15	09	08.6400.4.005	3-35	17
08.6000.6.010	3-65	14	08.6100.5.020	3-23	12	08.6400.4.012	3-5	18
08.6000.6.012	3-61	10	08.6100.6.035	3-25	01	08.6400.4.012	3-71	54
08.6000.6.012	3-84	10	08.6100.8.012	3-33	37	08.6400.5.005	3-3	05
08.6000.6.016	3-3	22	08.6100.8.020	3-33	27	08.6400.5.005	3-11	28
08.6000.6.016	3-25	08	08.6102.3.008	3-23	43	08.6400.5.005	3-23	33
08.6000.6.020	3-29	16	08.6120.3.008	3-25	26	08.6400.5.005	3-25	45
08.6000.6.025	3-17	02				08.6400.5.008	3-5	13
08.6000.6.025	3-23	30	<b>08.6200.3.008</b>			08.6400.5.008	3-23	31
08.6000.6.030	3-3	15	08.6200.3.008	3-54	26	08.6400.5.010	3-23	22
08.6000.8.025	3-23	23	08.6200.3.008	3-61	58	08.6400.5.010	3-25	04
08.6000.8.030	3-33	09	08.6200.4.008	3-27	06	08.6400.5.305	3-11	54
08.6000.8.040	3-23	15	08.6200.4.008	3-69	63	08.6400.5.305	3-25	10
			08.6200.4.016	3-19	29	08.6490.6.025	3-69	93
<b>08.6010.4.010</b>			08.6200.5.006	3-65	35	08.6532.8.055	3-29	04
08.6010.4.010	3-41	18	08.6200.5.006	3-71	53	08.6632.3.016	3-29	32
08.6010.5.008	3-35	11	08.6200.5.008	3-23	20	08.6632.3.020	3-29	08
08.6012.4.008	3-41	26	08.6200.5.012	3-15	04			
08.6012.4.010	3-15	18	08.6200.5.020	3-15	11	<b>08.6700.3.000</b>		
08.6012.4.010	3-41	41	08.6200.6.025	3-3	31	08.6700.3.000	3-21	06
08.6014.6.025	3-31	08				08.6700.4.000	3-5	19
08.6032.4.008	3-41	25	<b>08.6300.0.070</b>			08.6700.4.000	3-7	08
			08.6300.0.070	3-33	44	08.6700.4.000	3-19	38
<b>08.6100.3.008</b>			08.6310.4.014	3-65	37	08.6700.4.000	3-39	07
08.6100.3.008	3-17	20	08.6310.6.035	3-23	14	08.6700.4.000	3-41	55
08.6100.3.008	3-25	44	08.6312.8.020	3-31	11	08.6700.4.000	3-69	73
08.6100.3.008	3-27	18				08.6700.4.000	3-71	55
08.6100.3.030	3-11	36	<b>08.6400.3.003</b>			08.6700.4.000	3-75	07
08.6100.4.006	3-9	06	08.6400.3.003	3-19	43	08.6700.5.000	3-15	10
08.6100.4.006	3-25	25	08.6400.3.004	3-25	21	08.6700.5.000	3-17	07
08.6100.4.006	3-44	30	08.6400.3.004	3-61	56	08.6700.5.000	3-21	21

Revised 01/2005

**INDEX**

PART NUMBER	PAGE	DET	PART NUMBER	PAGE	DET	PART NUMBER	PAGE	DET
<b>08.6700.5.000</b>			<b>08.6850.4.000</b>			<b>12.0008.3.411</b>		
08.6700.5.000	3-23	13	08.6850.4.000	3-69	69	12.0008.3.411	3-67	39
08.6700.6.000	3-23	18	08.6850.4.000	3-75	06	12.0008.3.411	3-75	47
08.6700.6.000	3-33	46	08.6850.4.000	3-84	42	12.0008.3.412	3-5	22
08.6700.8.000	3-11	47	08.6850.5.000	3-21	20	12.0008.3.412	3-39	32
08.6700.8.000	3-13	16	08.6850.5.000	3-23	26	12.0008.3.412	3-75	37
08.6700.8.000	3-29	22	08.6850.5.000	3-25	32	12.0008.3.413	3-39	38
08.6702.4.000	3-41	52	08.6850.5.000	3-27	21	12.0008.3.413	3-75	46
08.6702.8.000	3-29	05	08.6850.5.000	3-65	32	12.0008.3.414	3-39	37
08.6702.8.000	3-31	13	08.6850.5.000	3-85	26	12.0008.3.414	3-75	55
08.6710.0.300	3-33	45	08.6850.6.000	3-23	41	12.0008.3.415	3-65	01
08.6710.3.000	3-5	08	08.6850.6.000	3-29	15	12.0008.3.415	3-75	32
08.6710.3.000	3-37	08	08.6850.6.000	3-51	20	12.0008.3.416	3-5	24
08.6710.4.000	3-63	18	08.6850.8.000	3-11	55	12.0008.3.416	3-7	15
08.6710.5.000	3-11	16	08.6850.8.000	3-13	33	12.0008.3.416	3-19	22
08.6710.5.000	3-13	22	08.6852.3.000	3-85	58	12.0008.3.416	3-39	21
08.6710.6.000	3-19	39	08.6852.4.000	3-41	24	12.0008.3.416	3-63	24
08.6710.6.000	3-39	24	08.6852.6.000	3-31	06	12.0008.3.416	3-67	40
08.6710.6.000	3-69	92	08.6852.8.000	3-29	35	12.0008.3.416	3-75	40
08.6733.3.000	3-11	38	08.6852.8.000	3-31	12	12.0008.3.417	3-39	03
08.6742.8.000	3-29	31	08.6887.5.000	3-9	25	12.0008.3.417	3-75	03
08.6742.8.000	3-33	26	08.6887.5.000	3-63	25	12.0008.3.419	3-39	05
08.6752.6.000	3-29	12				12.0008.3.419	3-75	05
08.6752.6.000	3-33	12	<b>12.0008.3.023</b>			12.0008.3.420	3-35	23
08.6752.8.000	3-29	18	12.0008.3.023	3-15	15	12.0008.3.421	3-39	09
			12.0008.3.023	3-23	47	12.0008.3.421	3-75	09
<b>08.6800.4.000</b>			12.0008.3.023	3-23	53	12.0008.3.422	3-39	11
08.6800.4.000	3-11	48	12.0008.3.023	3-31	09	12.0008.3.423	3-39	15
08.6800.4.000	3-13	12	12.0008.3.023	3-39	13	12.0008.3.423	3-75	15
08.6800.4.000	3-19	28	12.0008.3.023	3-43	07	12.0008.3.424	3-39	16
08.6800.6.000	3-29	11	12.0008.3.023	3-75	13	12.0008.3.424	3-75	16
08.6802.6.000	3-31	07	12.0008.3.081	3-35	22	12.0008.3.426	3-39	10
08.6802.8.000	3-31	19	12.0008.3.156	3-23	32	12.0008.3.427	3-39	14
08.6832.4.000	3-15	19	12.0008.3.251	3-35	28	12.0008.3.427	3-75	14
08.6832.4.000	3-41	30	12.0008.3.268	3-75	59	12.0008.3.428	3-39	35
08.6832.6.000	3-31	05	12.0008.3.408	3-19	18	12.0008.3.428	3-75	35
08.6845.4.000	3-41	23	12.0008.3.408	3-39	34	12.0008.3.429	3-75	60
08.6850.0.000	3-33	47	12.0008.3.409	3-19	21	12.0008.3.430	3-39	36
08.6850.3.000	3-19	41	12.0008.3.409	3-39	22	12.0008.3.430	3-75	45
08.6850.4.000	3-7	16	12.0008.3.410	3-63	19	12.0008.3.431	3-39	08
08.6850.4.000	3-19	27	12.0008.3.410	3-67	34	12.0008.3.431	3-75	08
08.6850.4.000	3-25	41	12.0008.3.410	3-75	48	12.0008.3.433	3-52	34
08.6850.4.000	3-35	19	12.0008.3.411	3-5	23	12.0008.3.433	3-83	34
08.6850.4.000	3-39	06	12.0008.3.411	3-7	14	12.0008.3.434	3-52	42
08.6850.4.000	3-41	56	12.0008.3.411	3-39	29	12.0008.3.437	3-75	10
08.6850.4.000	3-65	31	12.0008.3.411	3-63	23	12.0008.3.442	3-65	03

Revised 01/2005

e-mail: [service@amfreece.cz](mailto:service@amfreece.cz); [parts@amfreece.cz](mailto:parts@amfreece.cz); website: [www.amfreece.com](http://www.amfreece.com)

Phones: +420 582 309 146 (Service), +420 582 309 286 (Spare Parts); Fax: +420 582 360 606

## INDEX

PART NUMBER	PAGE	DET	PART NUMBER	PAGE	DET	PART NUMBER	PAGE	DET
<b>12.0008.3.442</b>			<b>12.0008.4.186</b>			<b>12.0008.4.370</b>		
12.0008.3.442	3-75	27	12.0008.4.186	3-23	36	12.0008.4.370	3-41	36
12.0008.3.443	3-65	02	12.0008.4.187	3-23	37	12.0008.4.378	3-41	51
12.0008.3.444	3-61	55	12.0008.4.189	3-41	48	12.0008.4.379	3-41	40
12.0008.3.444	3-75	38	12.0008.4.191	3-25	39	12.0008.4.384	3-57	04
12.0008.3.445	3-39	41	12.0008.4.192	3-15	16	12.0008.4.390	3-57	03
12.0008.3.445	3-75	41	12.0008.4.192	3-23	34	12.0008.4.391	3-57	06
12.0008.3.446	3-75	42	12.0008.4.197	3-15	12	12.0008.4.399	3-15	08
12.0008.3.447	3-75	43	12.0008.4.199	3-41	33	12.0008.4.403	3-29	01
12.0008.3.449	3-75	33	12.0008.4.204	3-31	16	12.0008.4.404	3-41	16
12.0008.3.460	3-75	11	12.0008.4.210	3-29	36	12.0008.4.405	3-41	17
12.0008.3.462	3-61	23	12.0008.4.214	3-31	04	12.0008.4.406	3-29	41
12.0008.3.462	3-75	56	12.0008.4.232	3-41	39	12.0008.4.428	3-23	54
12.0008.3.463	3-39	04	12.0008.4.235	3-15	17	12.0008.4.429	3-23	55
12.0008.3.463	3-75	04	12.0008.4.263	3-31	20	12.0008.4.431	3-41	73
12.0008.3.464	3-35	24	12.0008.4.275	3-23	39	12.0008.4.433	3-41	77
12.0008.3.465	3-35	27	12.0008.4.279	3-15	20	12.0008.4.434	3-41	79
12.0008.3.466	3-35	24	12.0008.4.279	3-65	39	12.0008.4.435	3-41	66
12.0008.3.467	3-35	26	12.0008.4.279	3-69	62	12.0008.4.436	3-41	68
12.0008.3.900	3-39	20	12.0008.4.280	3-23	48	12.0008.4.437	3-41	65
12.0008.3.902	3-75	20	12.0008.4.281	3-41	03	12.0008.4.438	3-41	75
12.0008.3.903	3-52	20	12.0008.4.282	3-41	28	12.0008.4.439	3-41	64
			12.0008.4.283	3-41	14	12.0008.4.442	3-41	70
<b>12.0008.4.006</b>			12.0008.4.284	3-41	12	12.0008.4.443	3-41	78
12.0008.4.006	3-27	22	12.0008.4.285	3-41	11	12.0008.4.444	3-41	63
12.0008.4.008	3-27	23	12.0008.4.286	3-41	04	12.0008.4.445	3-41	76
12.0008.4.052	3-15	14	12.0008.4.287	3-29	33	12.0008.4.451	3-41	69
12.0008.4.052	3-31	02	12.0008.4.288	3-41	13	12.0008.4.471	3-31	10
12.0008.4.052	3-41	38	12.0008.4.289	3-29	07	12.0008.4.472	3-41	54
12.0008.4.062	3-41	84	12.0008.4.290	3-29	34	12.0008.4.476	3-69	88
12.0008.4.140	3-23	49	12.0008.4.290	3-41	01	12.0008.4.477	3-71	62
12.0008.4.140	3-41	43	12.0008.4.291	3-41	06	12.0008.4.630	3-29	49
12.0008.4.141	3-41	44	12.0008.4.292	3-41	53	12.0008.4.631	3-29	48
12.0008.4.142	3-27	17	12.0008.4.293	3-41	29	12.0008.4.632	3-41	83
12.0008.4.145	3-15	21	12.0008.4.294	3-41	27	12.0008.4.902	3-41	10
12.0008.4.145	3-31	24	12.0008.4.295	3-41	05	12.0008.4.903	3-41	20
12.0008.4.146	3-39	19	12.0008.4.296	3-31	23	12.0008.4.904	3-41	07
12.0008.4.146	3-57	02	12.0008.4.296	3-41	37	12.0008.4.905	3-41	09
12.0008.4.146	3-75	19	12.0008.4.302	3-41	85	12.0008.4.906	3-41	08
12.0008.4.148	3-31	22	12.0008.4.305	3-15	13	12.0008.4.907	3-41	19
12.0008.4.154	3-41	31	12.0008.4.305	3-57	01			
12.0008.4.181	3-25	16	12.0008.4.306	3-31	21	<b>12.0008.6.001</b>		
12.0008.4.182	3-23	28	12.0008.4.365	3-56	14	12.0008.6.001	3-35	04
12.0008.4.183	3-23	05	12.0008.4.366	3-41	34	12.0008.6.100	3-35	06
12.0008.4.184	3-23	03	12.0008.4.367	3-41	42	12.0008.6.101	3-35	06
12.0008.4.185	3-23	35	12.0008.4.369	3-41	35	12.0008.6.102	3-35	06

Revised 01/2005

**INDEX**

PART NUMBER	PAGE	DET	PART NUMBER	PAGE	DET	PART NUMBER	PAGE	DET
<b>12.0008.6.109</b>			<b>17.0027.1.799</b>			<b>22.0021.0.000</b>		
12.0008.6.109	3-35	01	17.0027.1.799	3-43	04	22.0021.0.000	3-13	13
12.0008.6.112	3-35	06	17.0031.0.460	3-5	07	22.0022.0.000	3-11	14
12.0008.6.800	3-17	26	17.0031.0.460	3-37	07	22.0022.0.000	3-13	15
12.0008.6.801	3-29	19	17.0081.6.225	3-31	17	22.0022.0.000	3-43	15
12.0008.6.807	3-33	36	17.0082.6.000	3-43	03	22.0023.0.000	3-13	14
12.0008.6.900	3-29	02	17.0082.8.082	3-23	46	22.0024.0.000	3-13	24
12.0008.6.900	3-33	02	17.0083.6.357	3-41	02	22.0026.0.000	3-11	21
12.0008.6.901	3-29	23	17.0094.0.200	3-31	03	22.0027.0.000	3-17	13
12.0008.6.920	3-15	24	17.0094.5.310	3-43	08	22.0028.0.000	3-17	12
			17.0095.1.272	3-29	20	22.0029.0.000	3-17	09
<b>12.1010.2.003</b>			17.0095.1.272	3-33	20	22.0030.0.000	3-17	10
12.1010.2.003	3-23	16	17.0095.1.329	3-43	06	22.0031.0.000	3-11	45
12.1011.0.001	3-23	25	17.0097.5.181	3-15	23	22.0031.0.000	3-13	19
12.1016.0.000	3-31	18				22.0032.0.000	3-11	20
12.1040.1.009	3-33	28	<b>20.0051.1.024</b>			22.0033.0.000	3-17	08
12.1045.0.012	3-61	60	20.0051.1.024	3-25	28	22.0044.0.000	3-35	13
12.1045.2.001	3-3	29	20.0092.0.004	3-7	10	22.0046.0.000	3-19	25
12.1045.2.001	3-25	17	20.0093.2.004	3-7	09	22.0049.0.000	3-11	44
12.1045.3.001	3-7	07	20.0093.2.004	3-35	09	22.0054.0.000	3-23	01
12.2010.1.002	3-13	18	20.0094.0.000	3-13	05	22.0057.0.000	3-27	08
12.2050.0.003	3-3	20	20.0094.0.000	3-35	08	22.0058.0.000	3-23	04
12.2050.0.005	3-25	06	20.0111.0.000	3-13	06	22.0061.0.000	3-11	01
12.4030.0.002	3-25	30	20.0112.0.000	3-13	09	22.0062.0.000	3-23	07
12.5050.2.009	3-23	24	20.0356.0.003	3-65	29	22.0063.0.000	3-17	21
			20.0356.0.003	3-73	26	22.0064.0.000	3-13	28
<b>12.8000.0.002</b>			20.0650.0.240	3-82	24	22.0064.0.000	3-17	17
12.8000.0.002	3-41	15	20.0650.0.340	3-82	24	22.0069.0.000	3-17	14
12.8000.0.008	3-41	80	20.0650.0.606	3-84	48	22.0091.0.000	3-19	34
12.8000.0.091	3-56		20.0650.0.640	3-78	37	22.0096.0.000	3-25	34
12.8000.0.092	3-56	46	20.0650.1.706	3-86	01	22.0097.0.000	3-21	02
12.8000.0.093	3-53	46	20.0681.0.000	3-85	56	22.0097.0.000	3-43	14
12.8000.0.094	3-76	46	20.0767.1.002	3-82	23	22.0100.0.000	3-11	17
12.8000.0.095	3-41	46	20.0767.1.003	3-82	23	22.0100.0.000	3-13	21
12.8000.0.186	3-23	52	20.0767.1.022	3-78	33	22.0100.0.000	3-17	03
12.8000.0.187	3-41	47				22.0104.0.000	3-43	01
12.8000.0.188	3-15	22	<b>22.0005.0.000</b>			22.0105.0.000	3-13	20
12.8000.0.188	3-27	02	22.0005.0.000	3-17	22	22.0106.0.000	3-21	03
12.8000.0.189	3-23	44	22.0006.0.000	3-25	11	22.0107.0.000	3-43	16
			22.0008.0.000	3-17	01	22.0108.0.000	3-43	02
<b>17.0019.0.228</b>			22.0009.0.000	3-17	19	22.0110.0.000	3-11	15
17.0019.0.228	3-71	66	22.0010.0.000	3-35	12	22.0110.0.000	3-17	04
17.0019.0.441	3-29	21	22.0011.0.000	3-35	10	22.0114.0.000	3-11	41
17.0019.0.441	3-33	21	22.0012.0.000	3-35	14	22.0115.0.000	3-25	36
17.0019.0.517	3-11	50	22.0020.0.000	3-17	15	22.0120.0.000	3-43	05
17.0019.2.057	3-11	40	22.0021.0.000	3-11	13	22.0121.0.000	3-11	06

Revised 01/2005

e-mail: service@amfreece.cz; parts@amfreece.cz; website: www.amfreece.com

Phones: +420 582 309 146 (Service), +420 582 309 286 (Spare Parts); Fax: +420 582 360 606

## INDEX

PART NUMBER	PAGE	DET	PART NUMBER	PAGE	DET	PART NUMBER	PAGE	DET
<b>22.0125.0.000</b>			<b>22.0325.0.000</b>			<b>22.2635.0.000</b>		
22.0125.0.000	3-5	28	22.0325.0.000	3-11	26	22.2635.0.000	3-21	19
22.0125.0.000	3-84	28	22.0336.0.000	3-11	11	22.2637.0.000	3-21	13
22.0137.0.000	3-21	09	22.0353.0.000	3-11	09	22.2638.0.000	3-21	17
22.0143.0.000	3-25	37	22.0354.0.000	3-11	03	22.2639.0.000	3-21	16
22.0145.0.000	3-19	36	22.0370.0.000	3-11	10	22.2640.0.050	3-21	04
22.0153.0.000	3-25	33	22.0400.0.000	3-9	07	22.2651.0.000	3-9	10
22.0159.0.000	3-5	14	22.0405.0.000	3-9	09	22.2652.0.000	3-9	11
22.0161.0.000	3-48	35	22.0405.2.000	3-63	09	22.2653.0.000	3-9	12
22.0164.0.000	3-5	01	22.0405.2.000	3-79	09	22.2655.0.000	3-9	05
22.0173.0.000	3-5	16	22.0408.0.000	3-25	24	22.2656.0.000	3-9	03
22.0175.0.000	3-3	27	22.0408.0.000	3-81	24	22.2657.0.000	3-9	02
22.0177.0.000	3-3	35	22.0408.1.000	3-54	24	22.2664.0.000	3-9	13
22.0178.0.000	3-3	34	22.0510.0.000	3-3	03	22.2665.0.000	3-9	08
22.0179.0.000	3-84	43	22.0520.0.000	3-3	06	22.3003.0.000	3-21	28
22.0182.0.000	3-21	01	22.0525.0.000	3-3	16	22.3022.0.000	3-54	49
22.0183.0.000	3-11	22	22.0530.0.000	3-3	10	22.3028.0.000	3-44	28
22.0183.0.000	3-13	26	22.0535.0.100	3-3	30	22.3029.0.000	3-44	05
22.0183.0.000	3-17	06	22.0540.0.000	3-3	14	22.3034.0.000	3-44	31
22.0184.0.000	3-11	24	22.0541.0.000	3-3	13	22.3034.0.000	3-81	28
22.0186.0.000	3-11	43	22.0542.0.000	3-3	11	22.3036.0.000	3-44	29
22.0195.0.000	3-3	01	22.0545.0.000	3-3	39	22.3054.0.000	3-54	50
22.0208.0.000	3-11	52	22.0545.0.000	3-25	46	22.3055.0.000	3-54	27
22.0209.0.000	3-35	21	22.1010.0.000	3-15	02	22.3064.0.000	3-54	52
22.0213.0.000	3-35	18	22.1415.0.050	3-19	06	22.3068.0.000	3-54	51
22.0214.0.000	3-17	24	22.1422.0.000	3-23	10	22.3068.0.000	3-71	64
22.0219.0.000	3-29	03	22.1426.0.000	3-19	14	22.3069.0.000	3-21	12
22.0223.0.000	3-5	04	22.1430.0.901	3-19	07	22.3206.0.000	3-80	31
22.0223.4.000	3-61	04	22.1436.0.000	3-19	08	22.3216.0.000	3-80	36
22.0224.0.000	3-5	03	22.1442.0.000	3-19	12	22.3217.0.000	3-78	32
22.0226.0.000	3-5	05	22.1443.0.000	3-19	13	22.3219.0.000	3-25	40
22.0227.0.000	3-5	06	22.2410.0.000	3-13	01	22.3250.0.000	3-86	03
22.0228.0.000	3-11	53	22.2425.0.050	3-13	29	22.3251.0.000	3-84	47
22.0229.0.000	3-43	11	22.2440.0.000	3-13	03	22.3252.0.000	3-85	52
22.0230.0.000	3-3	08	22.2442.0.000	3-13	30	22.3255.0.000	3-85	54
22.0232.0.000	3-11	35	22.2600.0.000	3-21	11	22.3256.0.000	3-84	40
22.0232.0.000	3-13	23	22.2607.0.000	3-21	27	22.6002.0.000	3-23	11
22.0233.0.000	3-13	32	22.2607.0.000	3-80	27	22.6003.0.000	3-27	09
22.0239.0.000	3-3	09	22.2610.0.000	3-21	22	22.6101.0.000	3-25	27
22.0300.0.000	3-25	13	22.2620.0.000	3-21	14	22.6101.2.000	3-81	27
22.0305.0.000	3-11	25	22.2626.0.000	3-21	25	22.8400.0.000	3-25	14
22.0309.0.000	3-11	37	22.2626.0.000	3-80	25	22.8400.0.000	3-43	18
22.0312.0.000	3-11	05	22.2627.0.000	3-21	26			
22.0313.0.000	3-11	29	22.2630.0.000	3-21	15	<b>23.2044.0.050</b>		
22.0315.0.000	3-11	04	22.2631.0.000	3-21	07	23.2044.0.050	3-23	08
22.0320.0.000	3-11	27	22.2633.0.000	3-21	08	23.2106.0.000	3-13	07

Revised 01/2005

**INDEX**

PART NUMBER	PAGE	DET	PART NUMBER	PAGE	DET	PART NUMBER	PAGE	DET
<b>23.2107.0.000</b>			<b>24.0038.0.000</b>			<b>24.0079.0.000</b>		
23.2107.0.000	3-13	10	24.0038.0.000	3-75	53	24.0079.0.000	3-33	25
23.2356.2.052	3-19	23	24.0039.0.000	3-19	19	24.0080.0.000	3-7	06
23.2356.2.052	3-35	02	24.0039.0.000	3-39	26	24.0081.0.000	3-33	38
23.2356.2.054	3-35	02	24.0039.1.000	3-52	26	24.0082.0.000	3-33	42
23.2356.2.055	3-35	02	24.0039.1.000	3-83	26	24.0084.0.000	3-33	39
<b>24.0001.0.000</b>			24.0040.0.000	3-29	14	24.0086.0.000	3-33	29
24.0001.0.000	3-3	38	24.0040.0.000	3-39	01	24.0087.0.000	3-33	24
24.0002.0.000	3-3	28	24.0041.0.000	3-21	18	24.0089.0.000	3-33	30
24.0002.0.000	3-25	38	24.0041.0.000	3-46	12	24.0091.0.000	3-41	45
24.0003.0.000	3-7	01	24.0043.0.000	3-27	16	24.0093.0.000	3-19	35
24.0004.0.000	3-7	02	24.0044.0.000	3-23	51	24.0094.0.000	3-19	42
24.0005.0.000	3-7	05	24.0045.0.000	3-27	05	24.0097.0.000	3-31	15
24.0006.0.000	3-7	13	24.0047.0.000	3-23	45	24.0098.0.000	3-29	17
24.0006.0.000	3-39	39	24.0048.0.000	3-3	26	24.0098.1.000	3-55	17
24.0006.0.000	3-75	22	24.0049.0.000	3-11	34	24.0098.4.000	3-29	17
24.0009.0.000	3-19	01	24.0050.0.000	3-7	12	24.0098.4.000	3-77	17
24.0010.0.000	3-19	03	24.0050.0.000	3-39	40	24.0100.0.000	3-3	36
24.0011.0.000	3-19	05	24.0051.0.066	3-25	02	24.0102.0.050	3-29	50
24.0014.0.000	3-19	09	24.0057.0.000	3-41	22	24.0103.0.000	3-41	81
24.0015.0.000	3-39	30	24.0059.0.020	3-23	36	24.0104.0.050	3-55	50
24.0015.0.000	3-75	30	24.0059.9.001	3-27	24	24.0105.0.000	3-41	49
24.0016.0.000	3-23	17	24.0059.9.002	3-41	72	24.0105.4.000	3-76	49
24.0017.0.000	3-23	29	24.0059.9.003	3-41	67	24.0111.0.000	3-15	06
24.0018.0.000	3-25	03	24.0059.9.004	3-15	25	24.0112.0.000	3-27	11
24.0019.0.000	3-25	09	24.0059.9.005	3-31	25	24.0125.5.000	3-61	28
24.0020.0.000	3-25	12	24.0059.9.012	3-57	05	24.0126.0.000	3-11	58
24.0021.0.000	3-25	23	24.0059.9.013	3-41	71	24.0127.0.000	3-11	19
24.0023.0.000	3-23	38	24.0059.9.014	3-69	98	24.0139.0.000	3-43	10
24.0024.0.000	3-35	05	24.0059.9.017	3-41	59	24.0141.0.000	3-43	09
24.0027.0.000	3-25	43	24.0059.9.018	3-76	71	24.0157.0.000	3-5	11
24.0029.0.000	3-23	40	24.0059.9.019	3-76	73	24.0157.0.000	3-61	11
24.0030.0.000	3-35	16	24.0059.9.021	3-41	82	24.0158.0.000	3-5	12
24.0034.0.000	3-39	12	24.0060.0.000	3-41	21	24.0158.1.000	3-44	12
24.0034.0.000	3-75	21	24.0061.0.000	3-19	40	24.0195.4.000	3-58	01
24.0035.0.000	3-5	21	24.0062.0.000	3-19	11	24.0224.4.000	3-61	03
24.0035.0.000	3-39	28	24.0063.0.000	3-19	32	24.0226.4.000	3-61	05
24.0035.1.000	3-52	28	24.0066.0.000	3-13	17	24.0227.4.000	3-61	06
24.0036.0.000	3-5	26	24.0067.0.000	3-27	20	24.0351.0.000	3-11	02
24.0036.0.000	3-39	31	24.0068.0.000	3-27	19	24.0500.0.000	3-3	19
24.0036.0.000	3-75	39	24.0070.0.000	3-29	17	24.1000.0.000	3-25	15
24.0036.1.000	3-52	31	24.0071.0.000	3-37	04	24.1430.1.000	3-48	07
24.0037.0.000	3-19	17	24.0072.0.000	3-37	03	24.2001.0.000	3-65	09
24.0037.0.000	3-39	25	24.0073.0.000	3-37	05	24.2002.0.000	3-65	22
24.0038.0.000	3-15	01	24.0074.0.000	3-37	06	24.2004.0.000	3-65	11
			24.0077.0.000	3-33	43	24.2005.0.000	3-65	13

Revised 01/2005

e-mail: [service@amfreece.cz](mailto:service@amfreece.cz); [parts@amfreece.cz](mailto:parts@amfreece.cz); website: [www.amfreece.com](http://www.amfreece.com)

Phones: +420 582 309 146 (Service), +420 582 309 286 (Spare Parts); Fax: +420 582 360 606

**INDEX**

PART NUMBER	PAGE	DET	PART NUMBER	PAGE	DET	PART NUMBER	PAGE	DET
<b>24.2006.0.000</b>			<b>24.2400.0.000</b>			<b>24.9920.9.989</b>		
24.2006.0.000	3-65	26	24.2400.0.000	3-25	18	24.9920.9.989	3-86	04
24.2007.0.000	3-65	23	24.2640.2.000	3-67	04			
24.2008.0.000	3-65	27	24.2640.2.000	3-80	04			
24.2009.0.000	3-65	25	24.2651.4.000	3-63	10			
24.2010.0.000	3-65	28	24.2652.4.000	3-63	11			
24.2012.0.000	3-65	33	24.2665.2.000	3-63	08			
24.2013.0.000	3-65	06	24.2665.2.000	3-79	08			
24.2014.0.000	3-65	05	24.3010.0.000	3-46	18			
24.2014.0.000	3-75	52	24.3026.0.000	3-44	11			
24.2015.0.000	3-65	04	24.3070.0.000	3-46	14			
24.2016.0.000	3-63	20	24.3071.0.000	3-51	24			
24.2016.0.000	3-75	50	24.3072.0.000	3-51	18			
24.2017.0.000	3-63	21	24.3073.0.000	3-51	22			
24.2017.0.000	3-67	38	24.3074.0.000	3-51	23			
24.2017.0.000	3-75	49	24.3075.0.000	3-51	19			
24.2018.0.000	3-67	42	24.3077.0.000	3-46	11			
24.2019.0.000	3-67	33	24.3200.0.000	3-80	18			
24.2019.0.000	3-75	51	24.3202.0.000	3-67	14			
24.2020.0.000	3-67	32	24.3202.0.000	3-80	14			
24.2024.0.000	3-71	57	24.3203.0.000	3-67	11			
24.2025.0.000	3-71	56	24.3203.0.000	3-80	11			
24.2028.0.000	3-65	15	24.3205.0.001	3-78	49			
24.2032.0.000	3-71	63	24.3205.0.001	3-84	49			
24.2035.0.000	3-11	56	24.3205.0.002	3-78	50			
24.2038.0.000	3-61	21	24.3205.0.002	3-84	50			
24.2040.0.000	3-67	18	24.3206.0.000	3-82	25			
24.2041.0.000	3-76	66	24.3207.0.000	3-84	38			
24.2042.0.000	3-69	67	24.3318.0.000	3-71	40			
24.2043.0.000	3-69	82						
24.2044.0.000	3-69	83	<b>24.6000.0.000</b>					
24.2045.0.000	3-69	85	24.6000.0.000	3-23	02			
24.2046.0.000	3-69	79	24.6000.1.000	3-47	02			
24.2047.0.000	3-69	68	24.6000.3.000	3-85	02			
24.2048.0.000	3-69	81	24.6000.4.000	3-69	02			
24.2049.0.000	3-65	30	24.6001.0.000	3-27	04			
24.2050.0.000	3-69	90	24.6004.0.000	3-27	01			
24.2051.0.000	3-69	86	24.6005.0.000	3-15	05			
24.2053.0.000	3-69	64	24.6005.1.000	3-45	05			
24.2055.0.000	3-61	59	24.6007.0.000	3-27	15			
24.2063.0.000	3-71	28	24.6100.0.000	3-25	19			
24.2064.0.000	3-61	57	24.6100.1.000	3-54	19			
24.2067.0.000	3-69	100	24.6100.4.000	3-71	19			
24.2068.0.000	3-69	99	24.6102.4.001	3-71	61			
24.2069.0.000	3-65	08	24.6102.4.002	3-71	60			
24.2069.0.000	3-75	28	24.6102.4.003	3-61	51			

Revised 01/2005