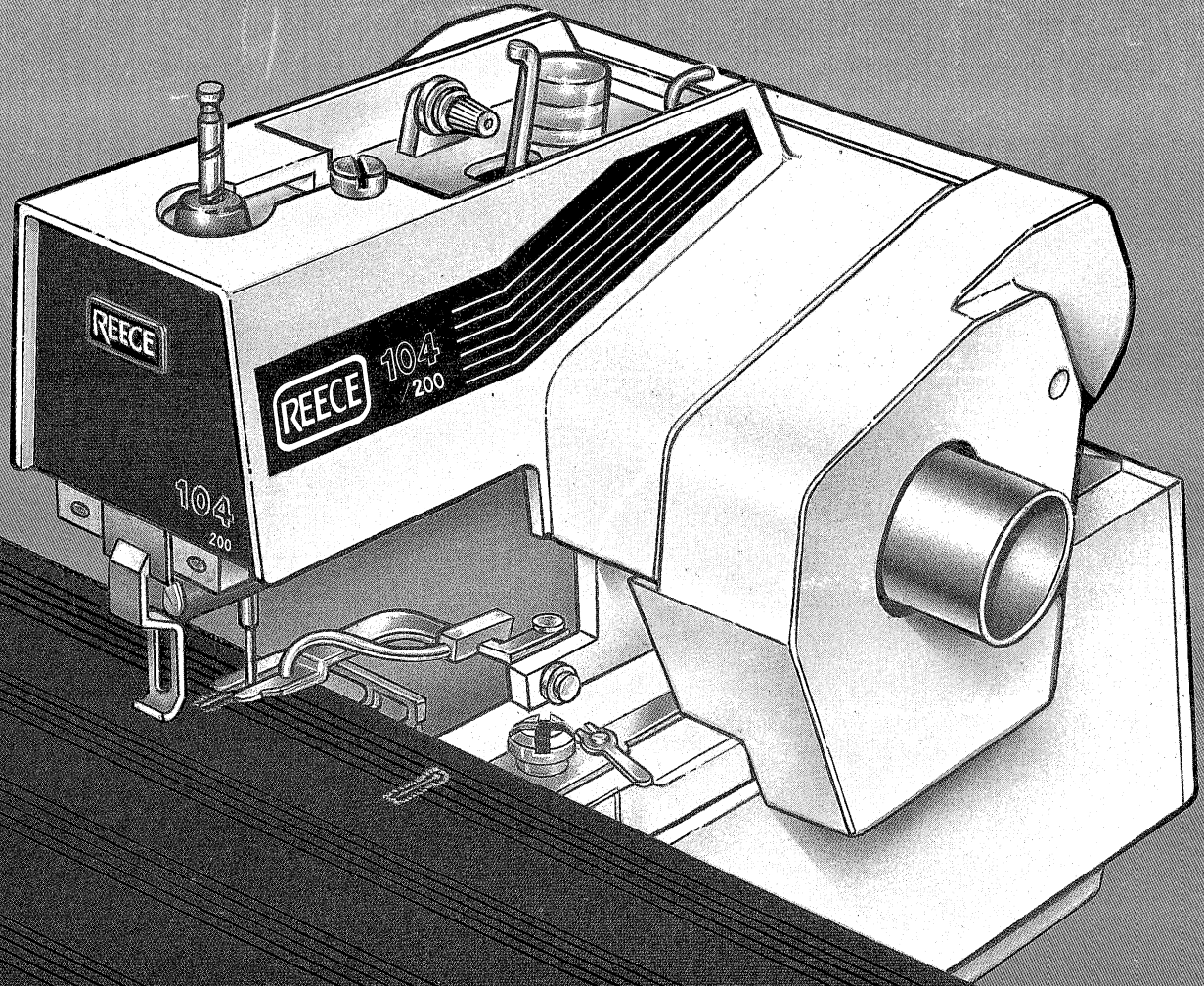


Illustrated Parts List

Buttonhole Machines

Series 104-200



REECE

COPYRIGHT

No safeguard, safety appliance, or device attached to or forming an integral part of this machine shall be removed or made ineffective except for the purpose of making immediate repairs or adjustments.

Any such safeguard, safety appliance, or device removed or made ineffective during the repair or adjustment of such machine shall be replaced immediately upon completion of such repair or adjustment.

No machine shall be operated until such repairs or adjustments have been made and the machine is in good working condition.

Safety glasses should be worn when operating the machine.

APRIL 1991

This illustrated parts list is published by

THE REECE CORPORATION

Gorham Industrial Park
Gorham, Maine 04038

"Precision and Quality Since 1881"

Part No. 97-0104-2-001
04/91
Made in U.S.A.

CONTENTS

CLAMPING	1- 4
START LEVER & SWITCH	5
LENGTH ADJUSTMENT	6
MAIN CAM	7
STITCH FEED	8- 9
CLUTCH DRIVE	10-11
TOP THREAD CONTROL	12
COMBINATION/LATERAL LEVER	13
SUPPORT/DAMPING/LATCHING	14-15
NEEDLE BAR DRIVE	16-17
NEEDLE BAR VIBRATOR	18-19
THREAD TAKE-UP/LOOPER DRIVE	20
FLYBAR CONTROL	21
RACE-SPREADER DRIVE	22
RACE	23
RACE-LOOPER CARRIER	24
UPPER THREAD TRIM	25
TURNING LEVERS & SECTORS	26
CUTTING	27-28
ELECTRICAL ASSEMBLIES	29

CORD TRIM

THREAD CONTROLS	33
UPPER THREAD PICKUP - CA	34
UPPER THREAD PICKUP - CB	35
MAIN CAM & UPPER THREAD TRIMMER	36
CLAMPING	38-39
RACE	40
THREAD DRAW-OFF	41
KNIFE HOLDER & SECTOR LEVER	42

OILING SYSTEM

OILING SYSTEM	45-46
-------------------------	-------

ADJUSTABLE FLY/CORD TRIM

PARTS FOR STYLE 171/181 AF-CT	49-51
---	-------

EXTRA LONG TRAVEL

PARTS FOR STYLE 173 XAF	55-59
-----------------------------------	-------

SHORT TRAVEL/CORD TRIM

PARTS FOR STYLES 170/180 ST-CT	63-66
--	-------

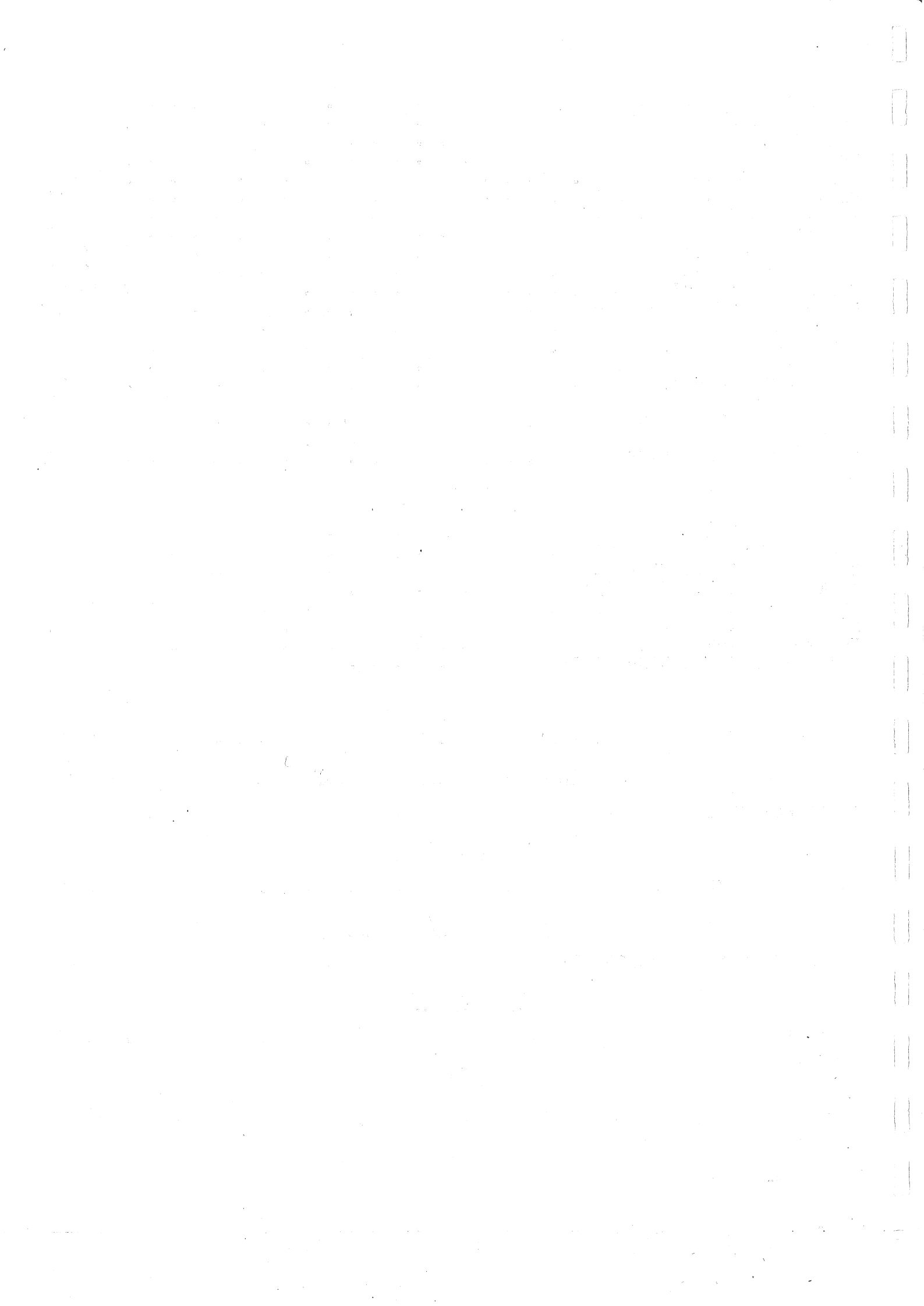
LONG TAIL TRIMMER

PARTS FOR LTT	69-70
-------------------------	-------

HAND HOLE

PARTS FOR STYLE 188 HAND HOLE	73-75
---	-------

PARTS INDEX	79
-----------------------	----



104/200 MODELS

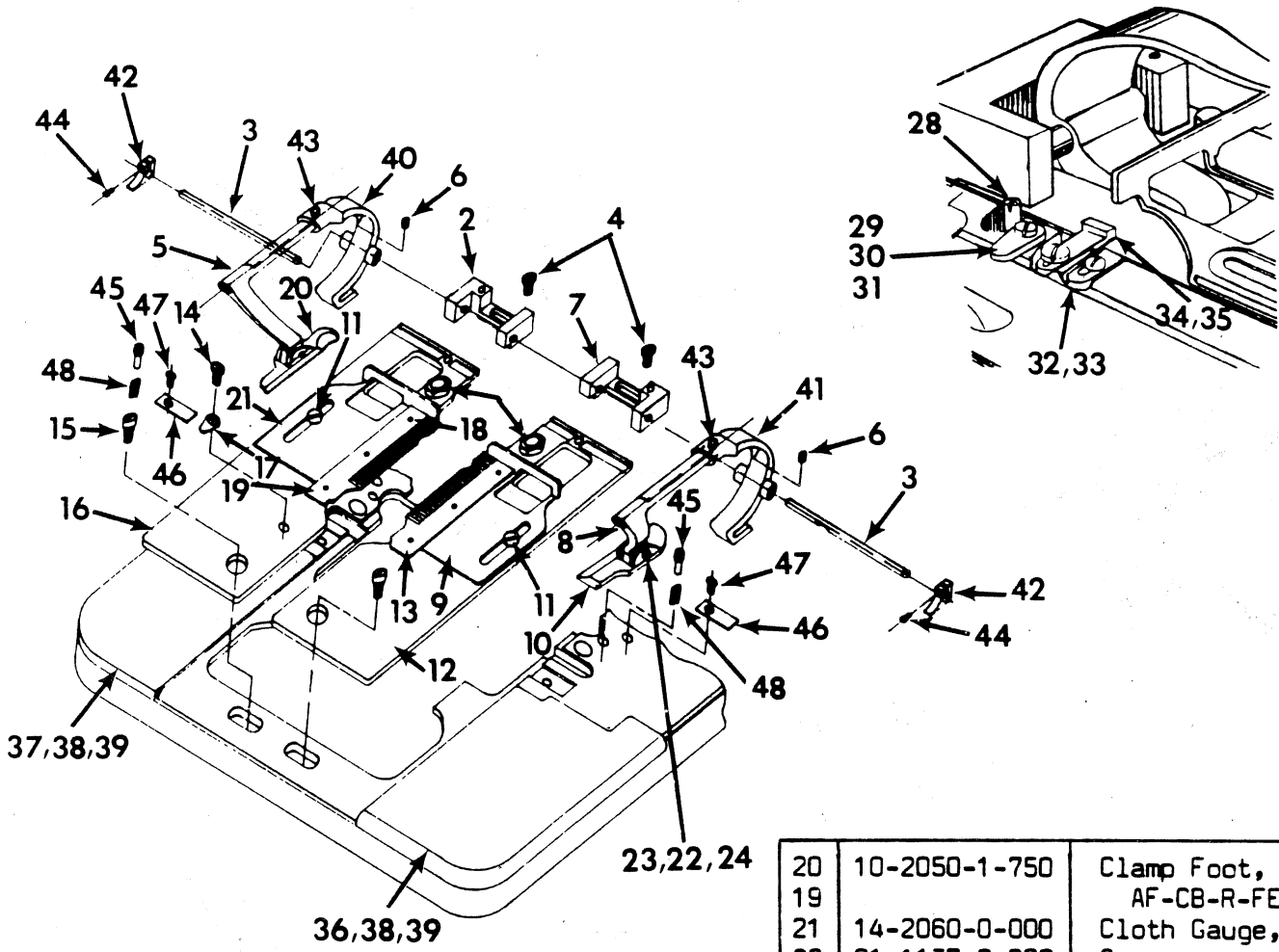
230	AF-CB/CA-R-RE
233	CT-CA-5/8-RE
234	CT-CA-5/8-LE
235	CT-CA-3/4-RE
236	CT-CA-7/8-RE
237	CT-CB-3/4-RE
238	CT-CB-5/8-RE
239	CT-CB-7/8-RE
270	AF-CA-ST-RE-ADJ-CT
271	AF-CA-R-RE-CT
272	AF-CA-R-RE-LTT (1-1/8" MAX B/H LGTH)
273	AF-CA-XAF-LE
280	AF-CB-ST-ADJ-CT
281	AF-CB-R-RE-CT
282	AF-CB-R-RE-LTT (1-1/8" MAX B/H LGTH)
283	AF-CB-R-FE-LTT (1-1/8" MAX B/H LGTH)
288	CB-R-ME/LE-HH
290	AF-CB/CA-R-FE

ADJ = ADJUSTABLE
AF = ADJUSTABLE FLY
CA = CUT AFTER
CB = CUT BEFORE
CB/CA = CUT BEFORE/CUT AFTER
CT = CORD TRIM
FE = FRENCH EYE

HH = HAND HOLE
LE = LARGE EYE
LTT = LONG TAIL TRIMMER
ME = MEDIUM EYE
R = REGULAR TRAVEL (7MM TO 1-1/4)
RE = REGULAR EYE (7MM TO 1-1/4)
ST = SHORT TRAVEL (1/2-7/8")
XAF = EXTRA LONG TRAVEL

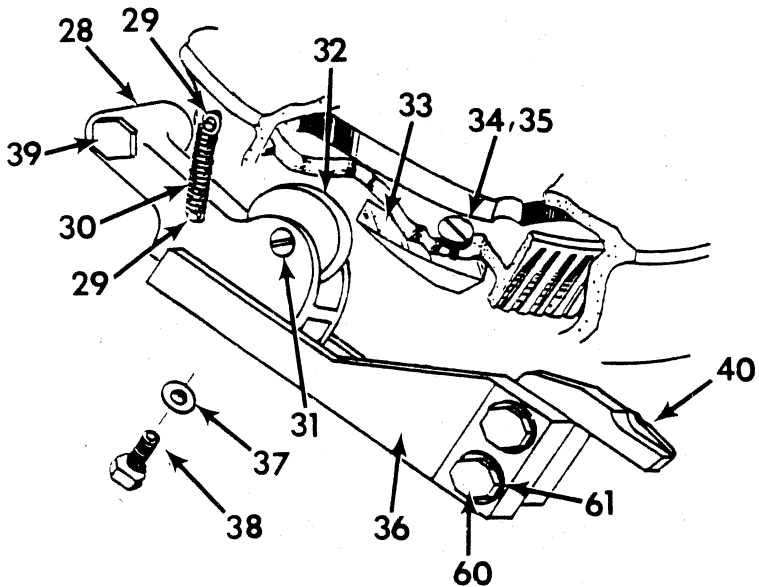
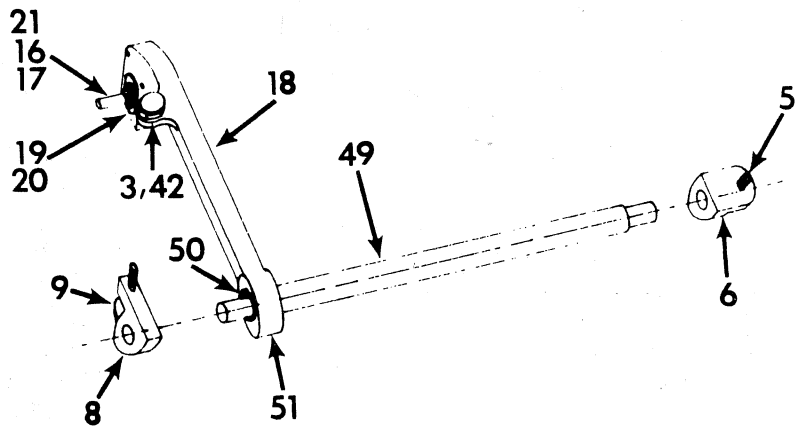
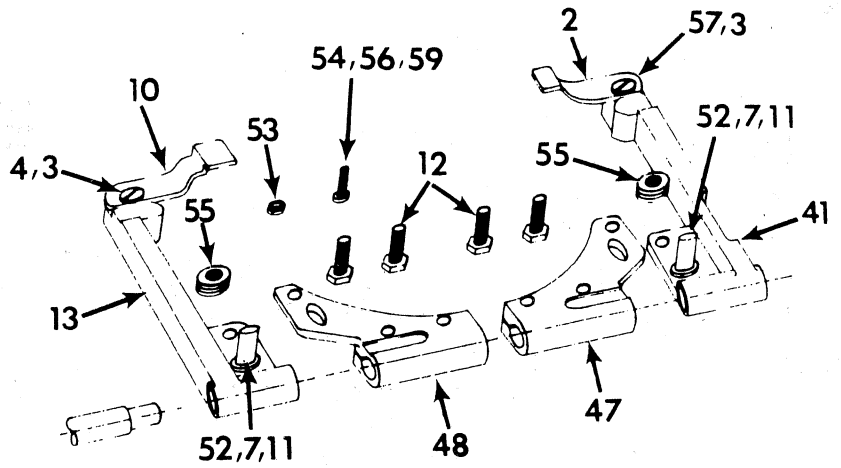
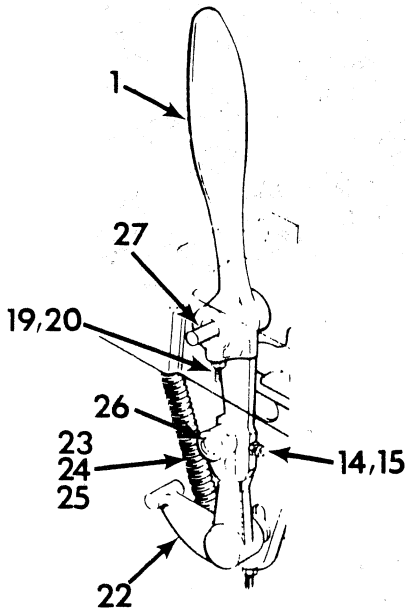


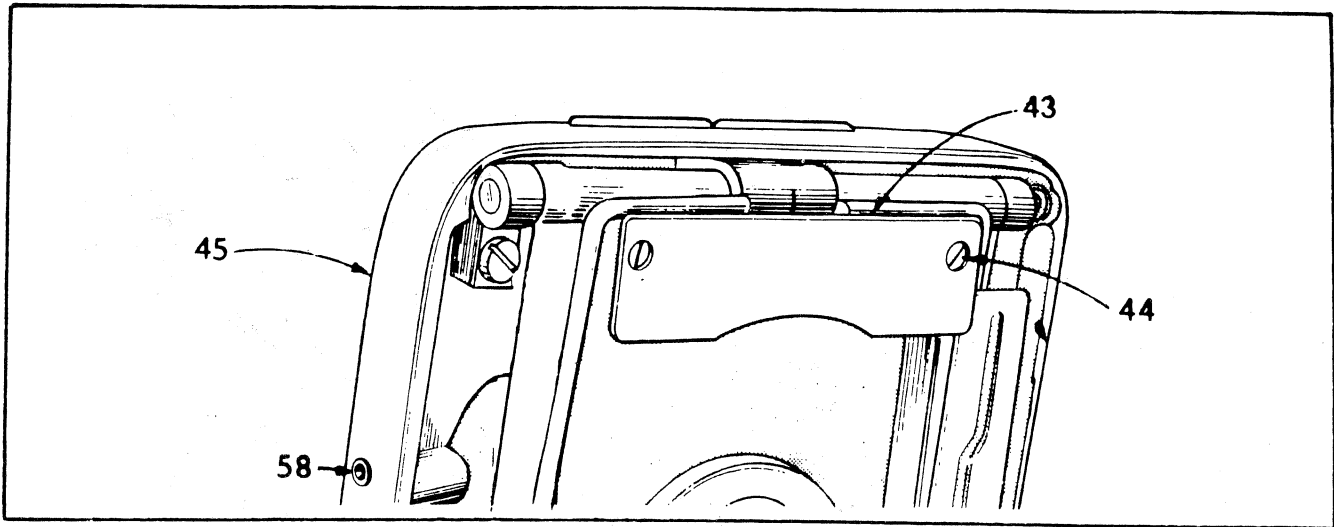
CLAMPING



QTY	PART NUMBER	DESCRIPTION
01	01-3001-0-000	Nut
02	14-2008-0-000	Left Block
03	14-2053-0-000	Shaft
04	01-2051-0-000	Screw
05	14-2004-0-000	Clamp Arm, Front LH
06	01-2557-0-001	Screw
07	14-2007-0-000	Block, R.H.
08	14-2003-0-000	Clamp Arm, Front RH
09	14-2059-0-000	Cloth Gauge, R.H.
10	10-2046-1-751	Clamp Foot, R.H.
11	01-2111-0-001	Screw
12	14-2043-0-019	Clamp Plate, R.H.
13	10-2044-0-001	Clamp Mat, R.H.
13	10-2044-0-002	Clamp Mat, R.H. (for CB/CA & AF-CB-R-FE)
14	01-2053-0-000	Screw
15	01-1020-1-000	Screw
16	14-2047-0-019	Clamp Plate, L.H.
17	10-2054-0-000	Clip
18	01-2015-0-000	Screw
19	10-2048-0-001	Clamp Mat, L.H.
19	10-2048-0-002	Clamp Mat, L.H.(for CB/CA)

20	10-2050-1-750	Clamp Foot, L.H. (for AF-CB-R-FE)
19		
21	14-2060-0-000	Cloth Gauge, L.H.
22	01-1137-0-000	Screw
23	01-3016-0-000	Nut
24	01-4038-0-000	Spring Washer
25	10-2051-2-000	Screw
26	10-2052-0-000	Roll
28	10-2042-0-000	Screw
29	10-2031-1-000	Screw
30	10-2029-0-000	Latch
31	01-5022-0-000	Spring
32	10-2032-0-000	Stop
33	01-2312-0-000	Screw
34	10-2031-0-000	Slide
35	01-2247-0-002	Screw
36	10-2001-0-001	Cover, R.H.(for CT)
	10-2001-0-003	Cover, R.H.
37	10-2001-0-002	Cover, L.H.
38	05-1131-0-000	Adhesive
39	05-1132-0-000	Activator
40	14-2002-0-001	Clamp Arm Base LH
41	14-2002-0-002	Clamp Arm Base RH
42	14-2212-0-000	Spread Lock
43	01-1557-0-000	Screw
44	01-2558-0-000	Screw
45	14-2213-0-000	Locking Pin
46	14-2214-0-000	Retaining Plate
47	01-2729-0-000	Screw
48	01-5457-0-000	Spring

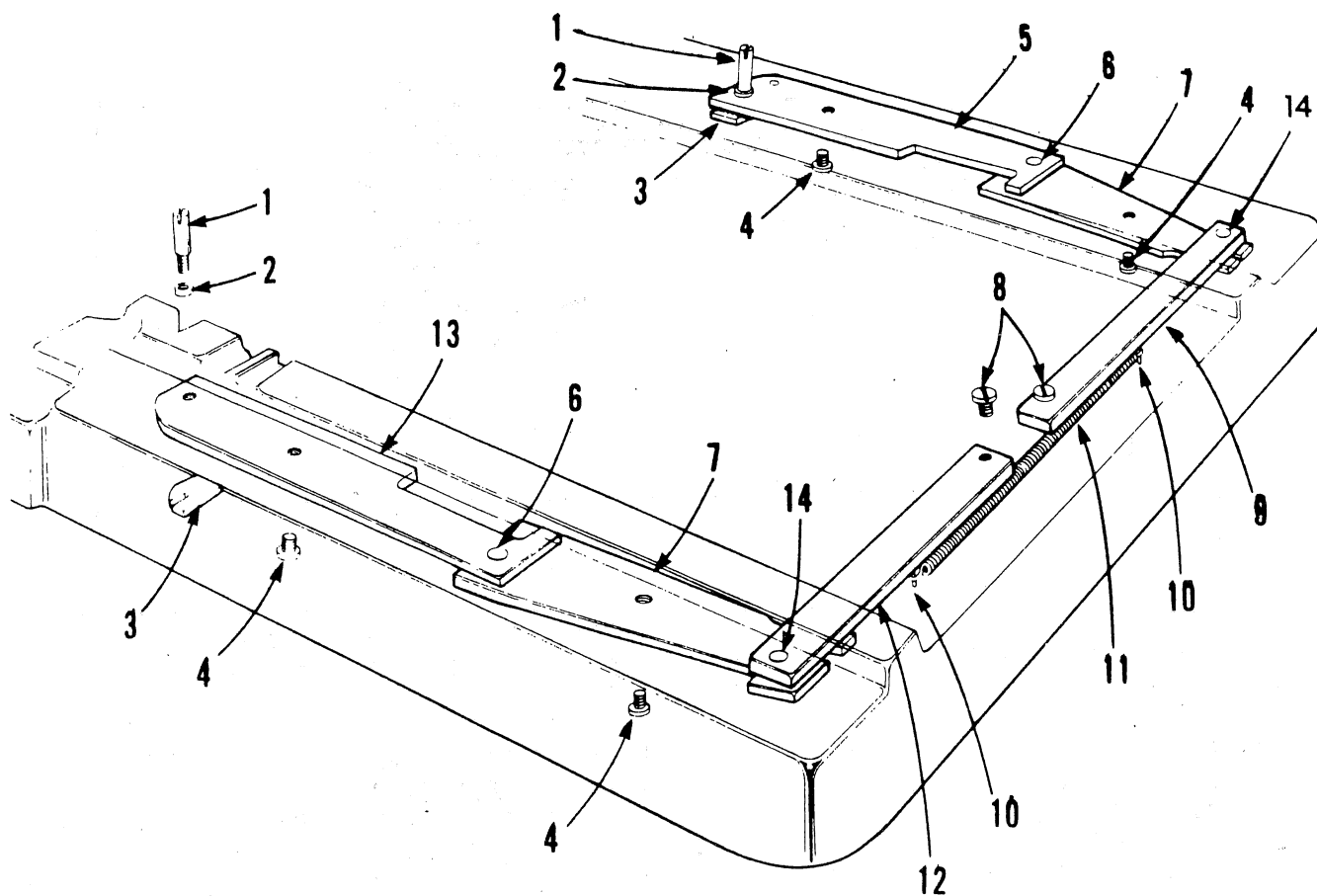




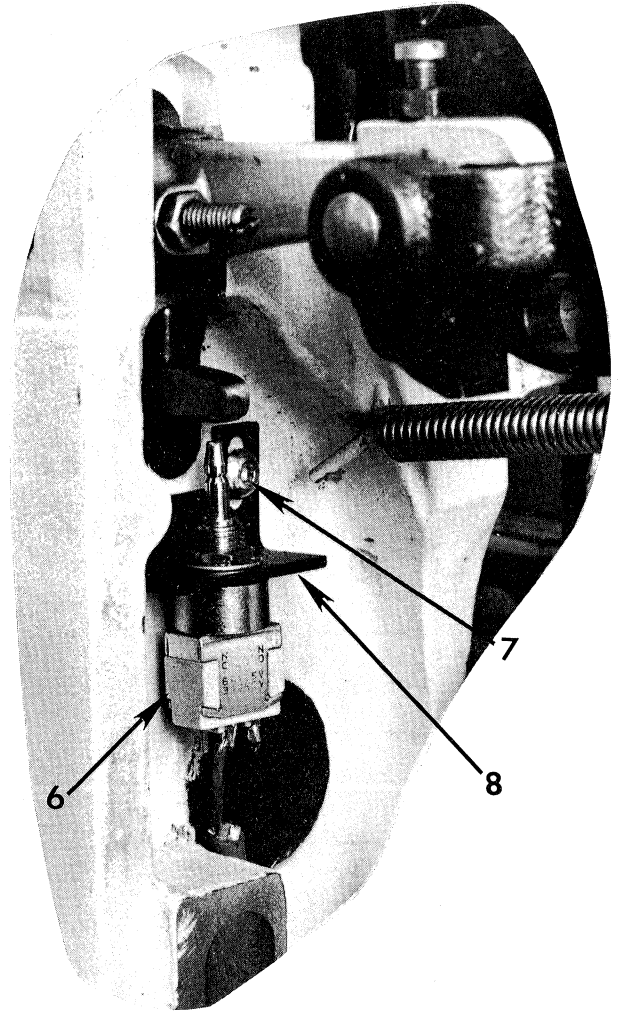
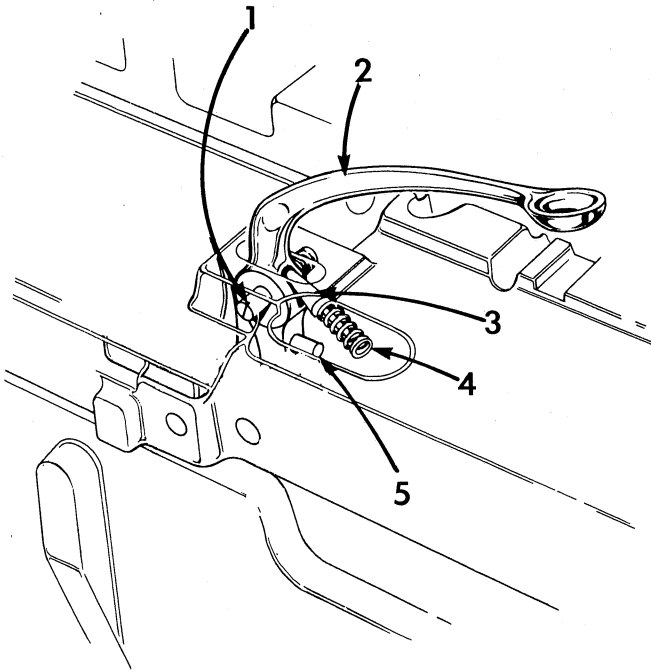
DET	PART NUMBER	DESCRIPTION
01	10-2019-0-000	Clamping Lever
02	10-2027-1-000	Right Pull Down
03	01-3007-0-000	Nut
04	01-2539-0-000	Screw
05	01-2046-0-000	Screw
06	10-2025-0-017	Clamp Yoke Bearing (AF)
07	01-3404-0-000	Nut
08	10-2025-0-000	Clamp Yoke Bearing
09	01-2046-0-000	Screw
10	10-2028-1-000	Left Pull Down
11	01-4559-0-000	Washer
12	01-1686-0-401	Screw
13	14-2026-0-006	Clamp Yoke
14	01-2045-0-000	Screw
15	01-3016-0-000	Nut
16	01-3013-0-000	Nut
17	01-4005-0-000	Washer
18	14-2023-0-000	Toggle Bracket
19	01-3001-0-000	Nut
20	01-2352-0-000	Screw
21	10-2024-0-000	Stud
22	10-2021-0-000	Toggle Lever
23	01-6007-0-000	Pin
24	01-5013-0-000	Spring
25	01-6006-0-000	Pin
26	10-2022-0-000	Stud
27	10-2020-0-000	Pivot
28	13-3023-0-000	Clamping Lever
29	01-6014-0-000	Pin

30	01-5015-0-000	Spring
31	10-3026-0-000	Screw
32	10-3025-0-000	Roller
33	10-3061-0-150	Wedge (AF-CA)
33	10-3061-0-200	Wedge (AF-CB)
33	10-3061-0-300	Wedge (CT)
34	01-2347-0-000	Screw
35	01-4061-0-000	Washer
36	13-3022-1-023	Extension
37	01-4006-0-000	Washer
38	01-1601-0-001	Screw
39	01-1076-0-000	Bolt
40	13-3131-0-001	Tip
41	14-2026-0-005	Clamp Yoke
42	13-2086-0-000	Adj. Screw
43	14-2077-0-000	Finger Guard
44	01-1705-0-502	Screw
45	14-2001-0-200	Bedplate
46	13-2087-1-000	Bumper
47	14-2026-0-002	Clamp Arm Toggle
48	14-2026-0-003	Clamp Arm Toggle
49	14-2024-0-000	Shaft
50	01-8404-0-001	Key
51	01-2412-0-000	Screw
52	01-1238-0-000	Stud
53	01-3001-0-000	Nut
54	01-2153-0-000	Screw
55	01-4121-0-000	Washer
56	01-4446-0-000	Spacer
57	01-2539-0-001	Screw
58	10-2063-0-000	Cord Tube (Optional)
59	01-4052-0-000	Washer
60	01-1601-0-007	Screw (2)
61	01-4445-0-000	Washer (2)

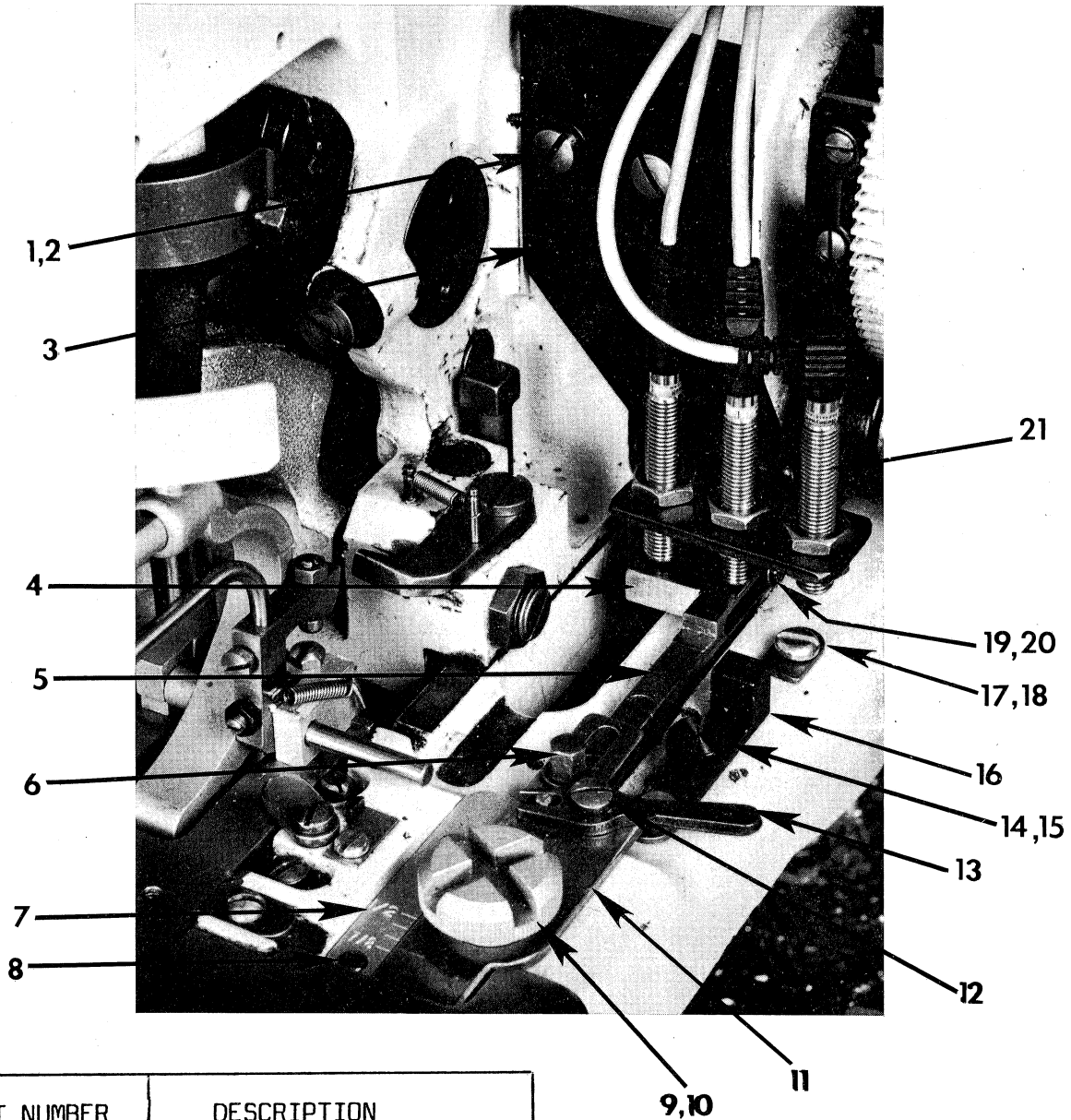
CLAMPING



DET	PART NUMBER	DESCRIPTION
01	10-2042-0-000	Screw
02	01-4067-0-000	Washer
03	10-2041-0-000	Locking Plate
04	01-1021-0-000	Screw
05	10-2040-0-050	Right Link Asm.
06	01-6075-0-000	Pin
07	10-2036-0-000	Lever
08	01-1020-1-000	Lever
09	10-2033-0-000	Right Clamp Side
10	01-6135-0-001	Pin
11	01-5023-0-000	Spring
12	10-2034-0-000	Left Clamp Side
13	10-2039-0-050	Left Link
14	01-6074-0-000	Pin

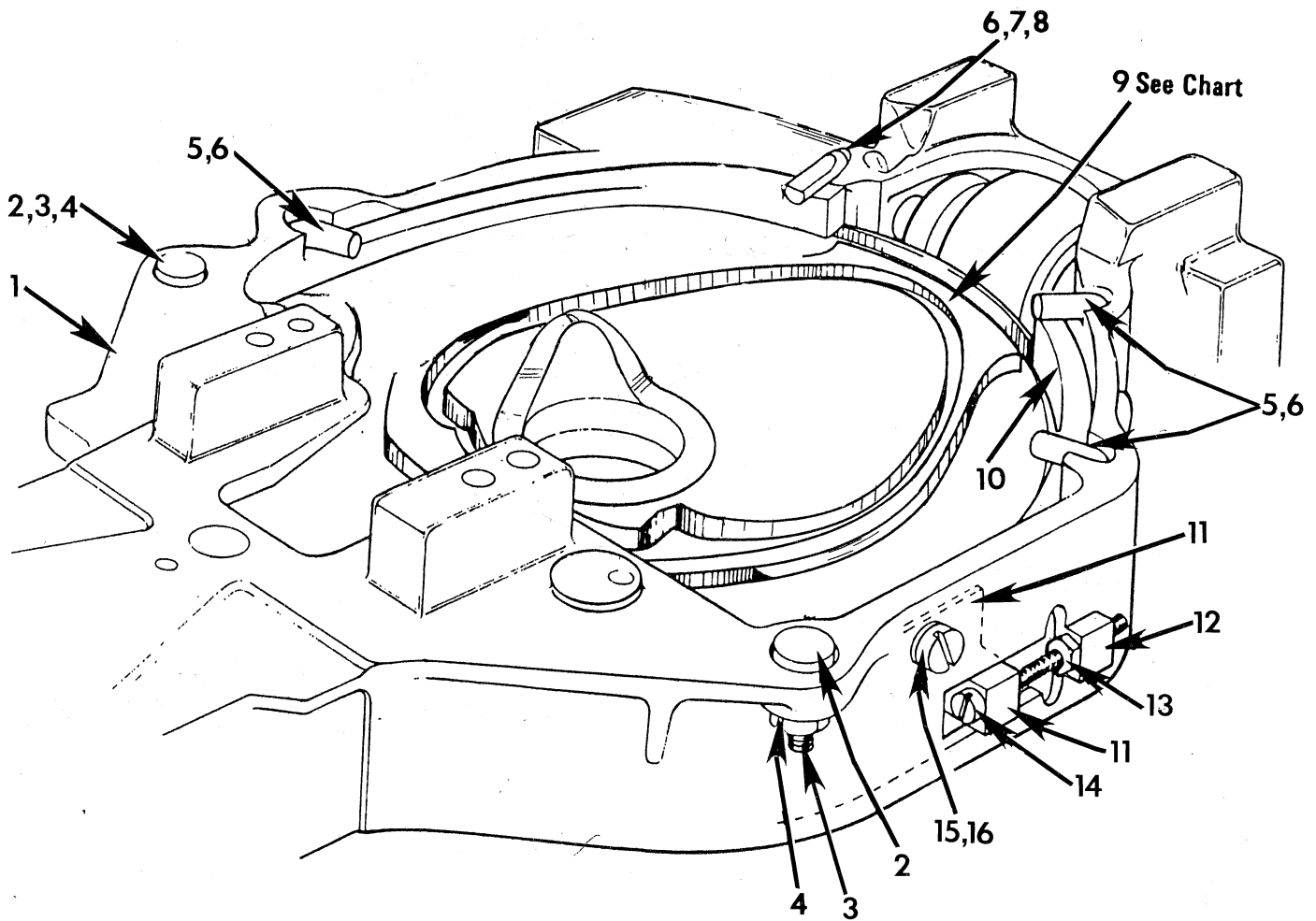


DET	PART NUMBER	DESCRIPTION
01	10-2014-0-000	Pivot Screw
02	14-2013-0-000	Starting Lever
03	10-2015-0-000	Plunger
04	01-5020-0-000	Spring
05	01-6831-0-003	Pin
06	14-0614-0-050	Start Switch Asm.
07	01-2582-0-000	Screw
08	14-2304-0-000	Bracket



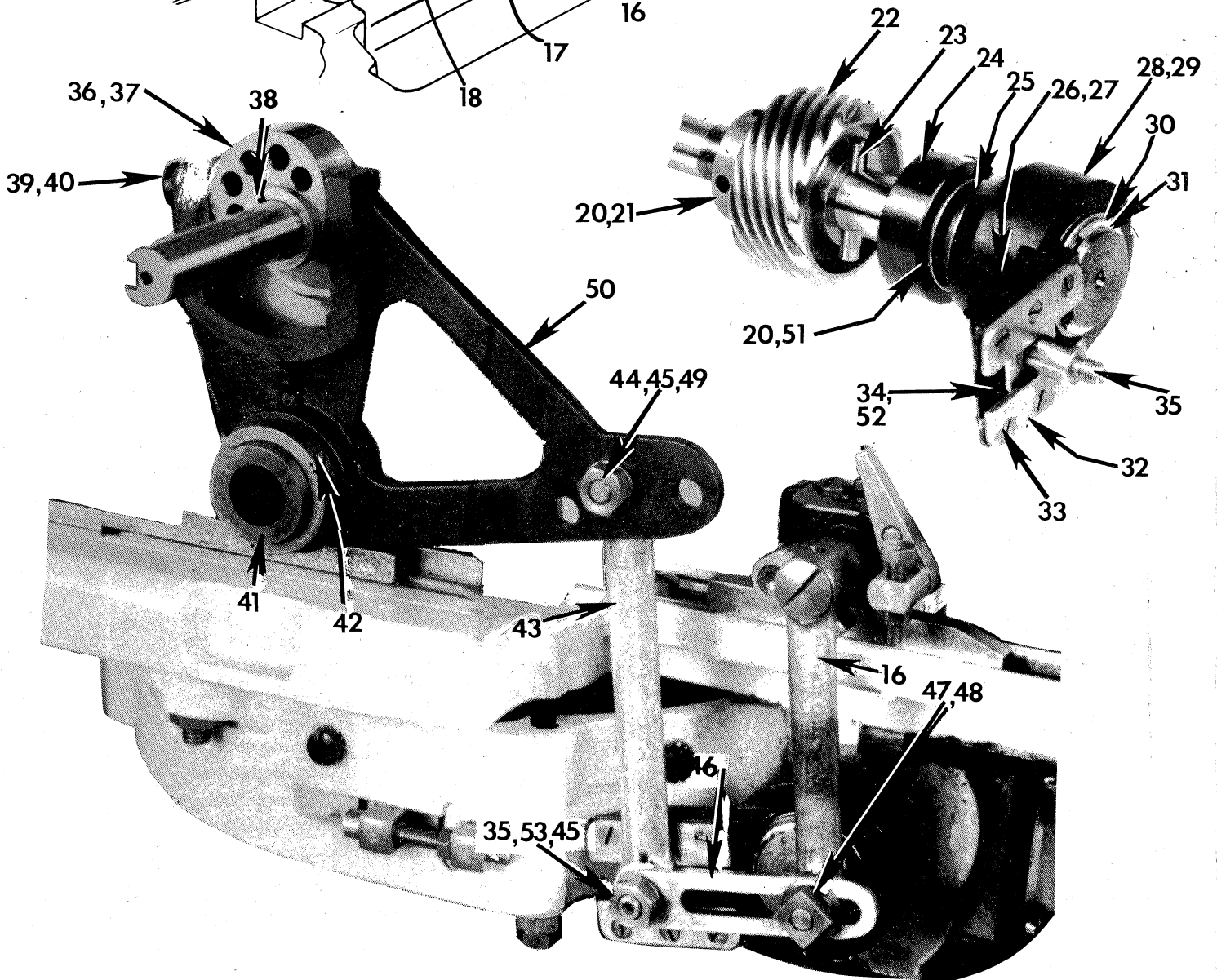
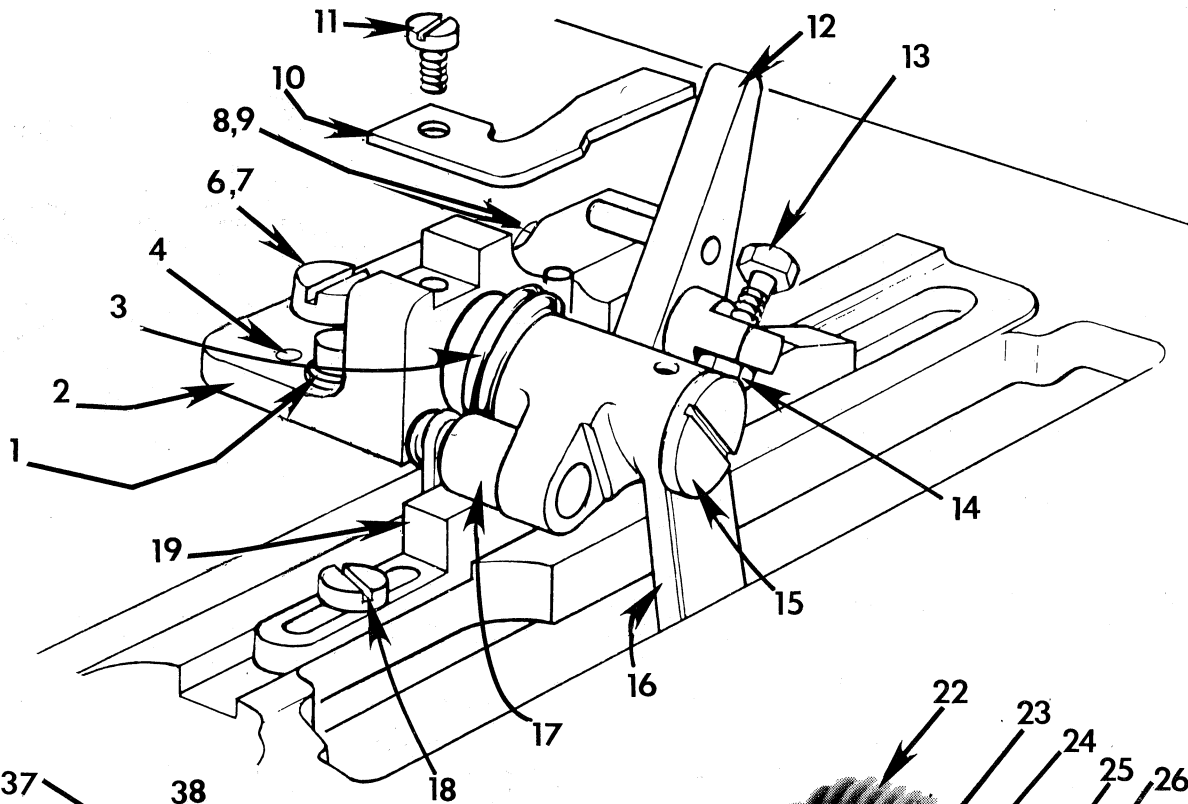
DET	PART NUMBER	DESCRIPTION
01	01-2871-0-000	Screw
02	01-4503-0-000	Washer
03	14-1308-0-000	Sensor Bracket
04	14-2301-0-000	Last Stitch Block
05	14-2300-0-000	First Stitch Block
06	10-2250-1-000	Nut
07	See Chart	Length Gauge
08	01-2075-0-001	Screw
09	14-2254-0-000	Length Adjustment Knob
10	01-4006-0-000	Washer
11	10-2251-1-000	Length Plate
12	10-2252-0-000	Screw
13	10-2253-0-000	Tack Lever
14	01-1973-0-000	Screw
15	01-4579-0-003	Washer
16	14-2302-0-000	Home Block
17	01-2247-0-002	Screw
18	10-2032-0-000	End Stop
19	01-1509-0-000	Screw
20	01-4065-0-000	Washer
21	06-0775-0-000	Sensor - 07.9014.0.000

LENGTH GAGE CHART	
PART NUMBER	DESCRIPTION
10-2261-0-030	REG - INCH
10-2261-0-040	REG - METRIC
10-2261-0-032	XAF
14-2261-0-000	SHORT TRAVEL CT

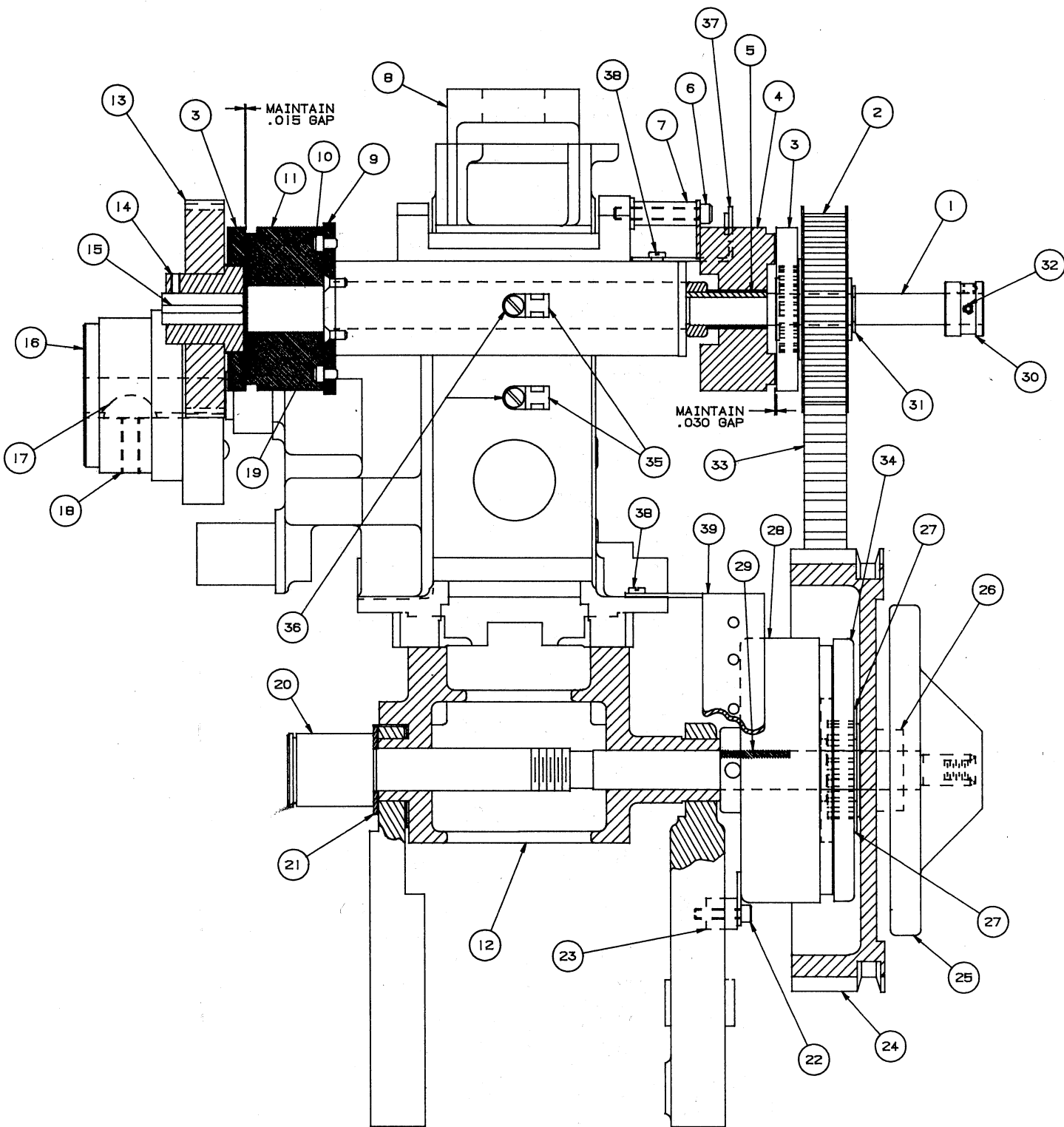


DET	PART NUMBER	DESCRIPTION
01	14-3001-0-000	Cam Case
02	10-3028-0-000	Button
03	01-2067-0-000	Adjusting Screw
04	01-3015-0-000	Nut
05	10-3066-0-011	Long Hook
06	01-3007-0-000	Nut
07	10-3066-0-008	Short Hook
08	01-3059-0-000	Large Nut
09	See Chart	Main Cam
10	10-3035-1-000	Hold Down Gib
11	10-3036-0-000	Brake Band
12	01-6345-0-000	Lug
13	01-3005-0-000	Nut
14	01-2033-0-000	Screw
15	01-4018-0-000	Washer
16	01-2027-0-000	Screw

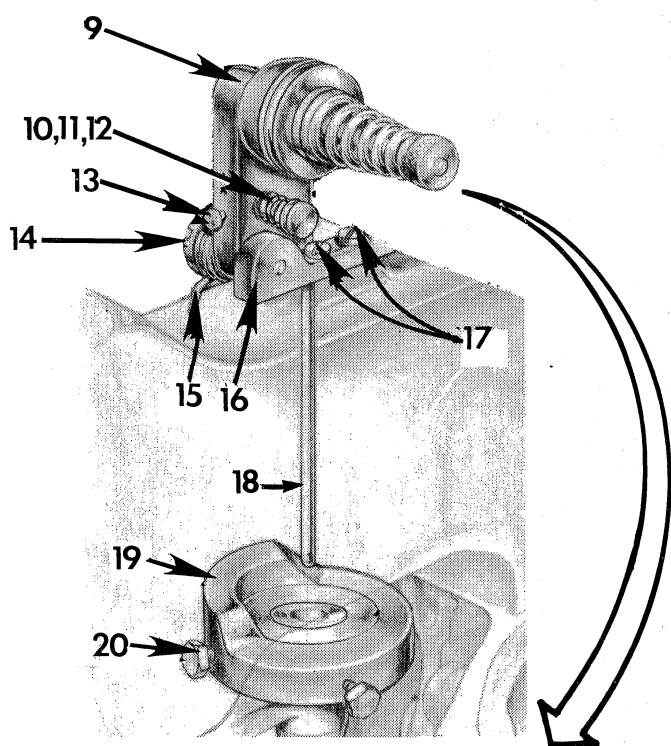
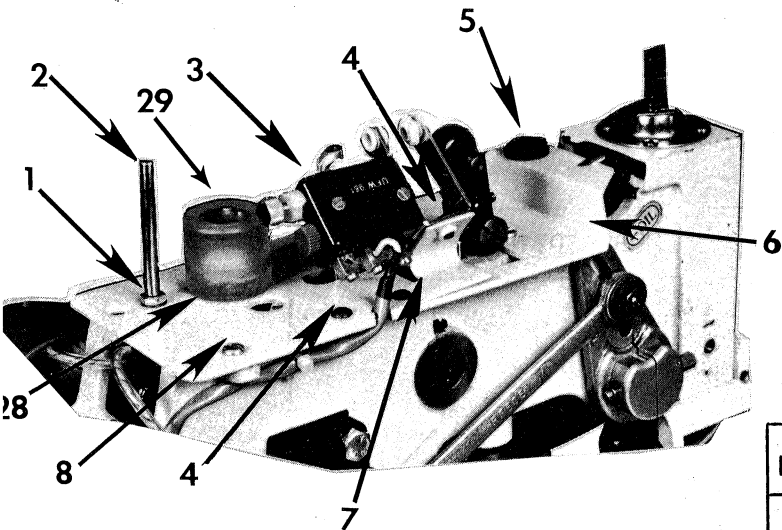
MAIN CAM CHART		
PART NUMBER	DESCRIPTION	STYLE NO.
14-3064-0-001	AF-CB/CA-R-RE	230
10-3064-2-036	CT-CA-5/8-RE	233
10-3064-1-033	CT-CA-5/8-LE	234
10-3064-1-037	CT-CA-3/4-RE	235
10-3064-1-038	CT-CA-7/8-RE	236
14-3064-0-037	CT-CB-3/4-RE	237
14-3064-0-036	CT-CB-5/8-RE	238
14-3064-0-038	CT-CB-7/8-RE	239
14-3064-0-170	AF-CA-ST-RE-CT	270
14-3064-0-001	AF-CA-R-RE-CT	271
14-3064-0-001	AF-CA-R-RE-LTT	272
10-3064-0-016	AF-CA-XAF-LE	273
14-3064-0-180	AF-CB-ST-RE-CT	280
14-3064-1-027	AF-CB-R-RE-CT	281
14-3064-1-027	AF-CB-R-RE-LTT	282
14-3064-0-183	AF-CB-R-FE-LTT	283
14-3064-0-188	AF-CB-R-ME/LE-HH	288
14-3064-0-011	AF-CB/CA-R-FE	290



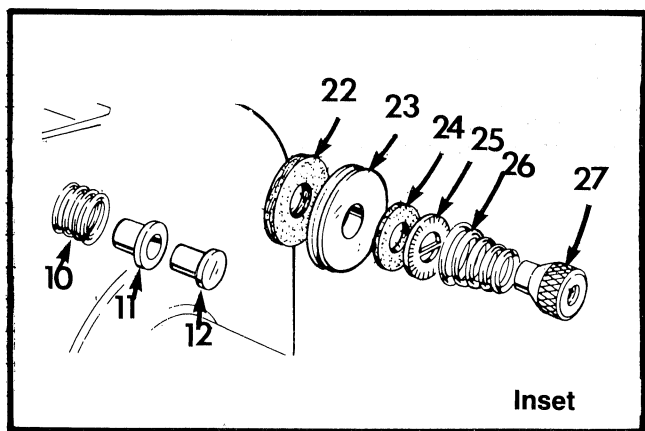
DET	PART NUMBER	DESCRIPTION
01	01-2130-0-000	Screw
02	10-1167-1-000	Block
03	01-5448-0-000	Spring
04	01-6428-0-000	Pin
06	01-1147-0-001	Soc. Hd. Cap Screw
07	01-4117-0-000	Washer
08	01-2391-0-000	Screw
09	01-4042-0-000	Washer
10	01-5447-0-000	Spring Plate
11	01-2344-0-000	Screw
12	10-1169-0-000	Shifter
13	01-2391-0-000	Screw
14	01-3005-0-000	Nut
15	01-2146-0-000	Screw
16	10-1168-0-000	Link
17	10-2007-0-350	Roll
18	01-2041-0-000	Screw
19	10-2061-0-000	Take-Out Wedge
	14-2061-0-100	Increase/Decrease Wedge
	14-2061-0-300	Increase Wedge (CT)
20	01-4009-0-001	Lockwasher
21	10-3049-0-000	Collar
22	10-3050-0-000	Worm Gear
23	10-3051-0-000	Drive Pin
24	01-7668-0-000	Collar
25	01-4905-0-000	Washer
26	14-3101-0-000	Wear Plate
27	01-2436-0-000	Soc.Hd. Screw (not shown)
28	14-3100-0-000	Arm Feed Clutch
29	01-7800-0-000	Clutch & Bearing
30	01-4904-0-000	Washer
31	01-6970-0-000	Retaining Ring
32	10-3080-0-000	Outer Plate
33	01-2075-0-001	Screw
34	10-3082-0-000	Inner Plate
35	13-3079-0-000	Slide Stud
36	10-1093-1-000	Feed Cam
37	01-2249-0-000	Set Screw
38	01-8002-0-000	Key
39	01-2022-0-000	Screw
40	01-4019-0-000	Lockwasher
41	01-7038-0-000	Collar
42	01-2028-0-000	Screw
43	10-1109-3-000	Link
44	01-4063-0-000	Washer
45	01-3042-0-000	Nut
46	10-3081-0-000	Arm
47	01-1028-0-000	Stud
48	01-3019-0-000	Nut
49	01-1781-0-000	Screw
50	14-1108-0-050	Follower
51	01-4747-0-000	Washer
52	01-2008-0-000	Screw
53	01-4503-0-000	Washer

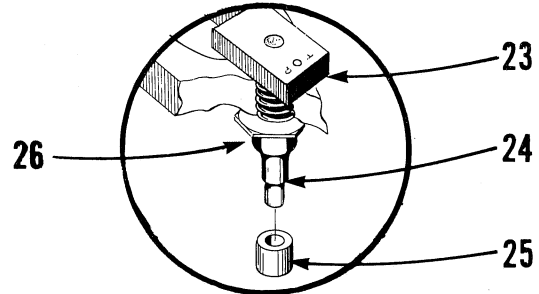
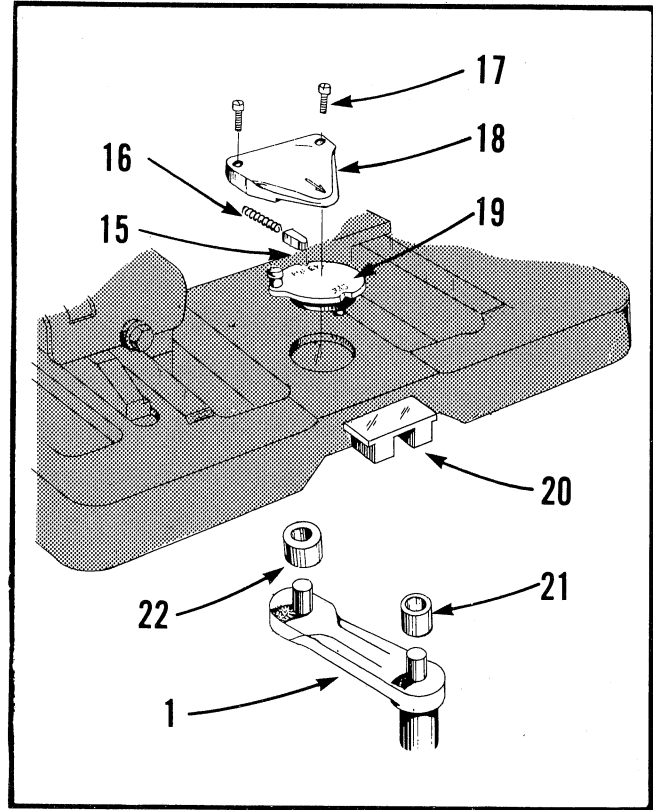
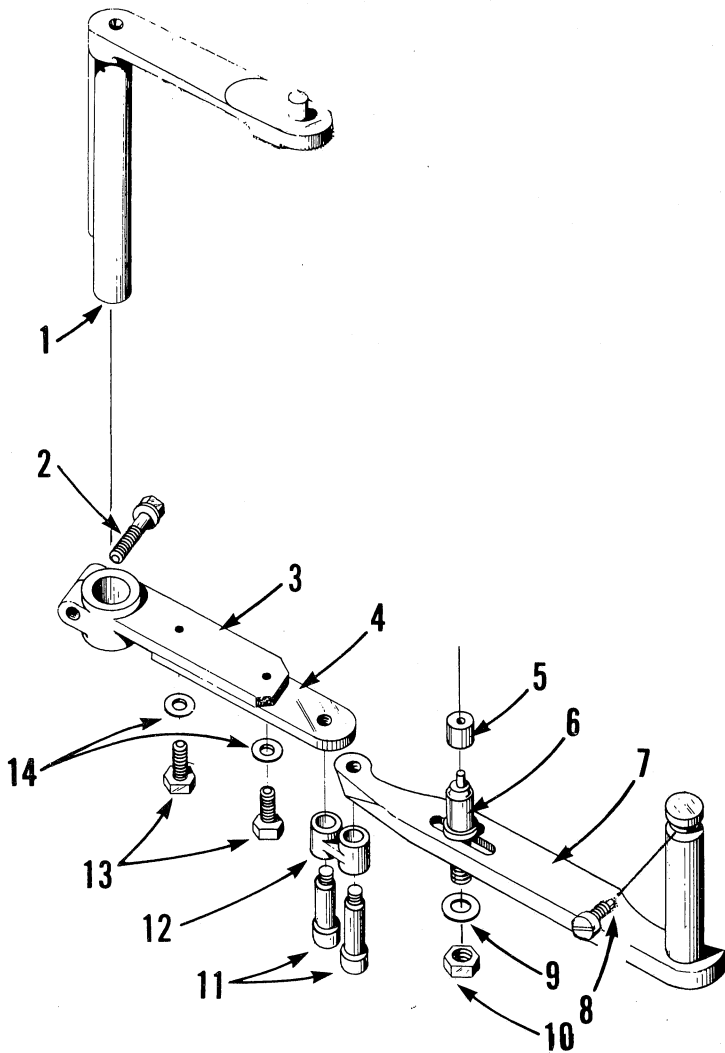


DET	PART NUMBER	DESCRIPTION
01	14-1312-0-000	Head Shaft
02	14-1303-0-000	Stitch Pulley
03	14-1305-0-000	Armature
04	14-1306-0-000	Field & Rotor Asm.
05	14-1316-0-000	Key
06	01-2243-0-000	Screw
07	14-1314-0-000	Bushing
08	14-1001-0-050	Head
09	14-1311-0-000	Mounting Plate
10	01-2410-0-000	Screw
11	14-1310-0-000	Brake Magnet
12	14-3001-0-000	Cam Case
13	14-1302-0-000	Spur Gear/Hub Asm.
14	01-2639-0-002	Screw
15	01-8410-0-002	Key
16	14-1300-0-050	Spur Gear/Drive Hub Asm.
17	01-8413-0-000	Key
18	01-1649-0-000	Screw
19	01-2652-0-000	Screw
20	14-3308-0-000	Main Shaft
21	01-4905-0-000	Washer
22	01-2482-0-000	Screw
23	01-4442-0-000	Spacer
24	14-3302-0-000	Cutting Wheel Asm.
25	13-3101-2-001	Handwheel
26	04-1447-0-001	Shaft Collar
27	14-3310-0-000	Release Spring
28	14-3303-0-000	Field & Rotor Asm. 5/8"
29	01-8410-0-009	Key
30	14-1315-0-000	Adapter
31	01-6502-0-001	E-Ring
32	01-2557-0-000	Screw
33	05-1103-0-000	Timing Belt
34	14-3304-0-000	Armature
35	04-1400-0-000	Tywrap Base
36	01-2247-0-002	Screw
37	14-1309-0-000	Cover Bracket
38	01-2241-0-001	Screw
39	14-2303-0-000	Cable Bracket



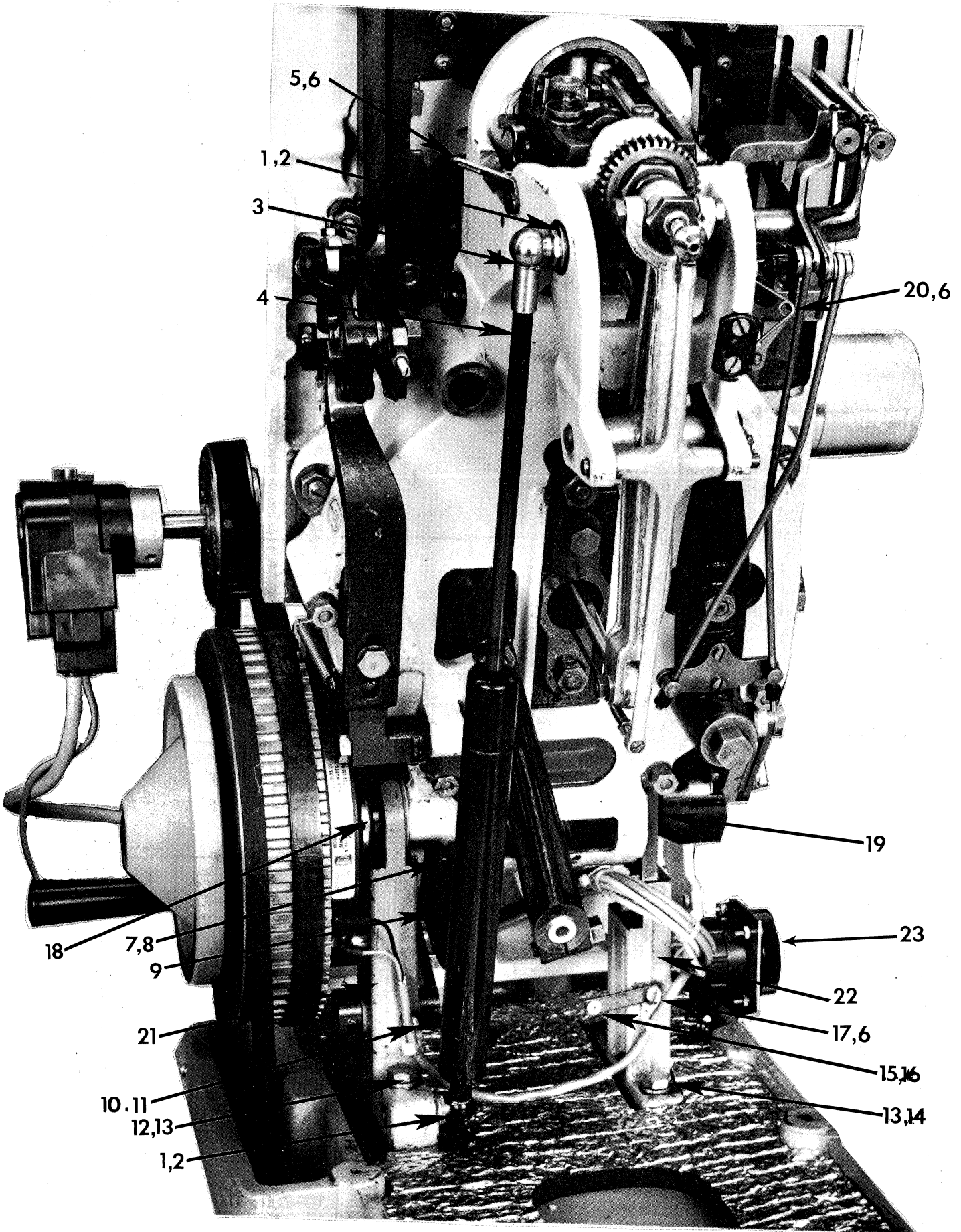
DET	PART NUMBER	DESCRIPTION
01	01-3001-0-000	Nut
02	05-0043-0-000	Thread Guide
03	06-0833-0-000	Thread Monitor Switch
04	01-2633-0-000	Screw
05	01-7626-0-001	Bushing
06	14-1319-0-000	Top Plate
07	14-1318-0-000	Switch Bracket
08	01-2247-0-000	Screw
09	10-1158-1-050	Tension Arm Asm.
10	01-5002-0-000	Spring
11	10-1009-0-000	Bushing
12	10-1008-0-000	Thread Guide
13	01-2001-0-000	Screw
14	01-1114-0-000	Pivot Screw
15	01-5163-0-000	Spring
16	10-1159-1-000	Bracket
17	01-2039-0-000	Screw
18	01-6334-0-000	Rod
19	10-1160-0-000	Cam
20	01-2362-0-000	Screw
22	10-1077-0-000	Felt Washer-Large
23	10-1078-1-000	Roller
24	10-1004-0-000	Felt Washer-Small
25	10-1003-0-000	Washer
26	01-5603-0-000	Spring
27	10-4030-0-000	Adjusting Nut
28	14-0615-0-050	Oil Monitor Asm.-Electronic (not shown)
29	14-1320-0-000	Sight Gage Asm.

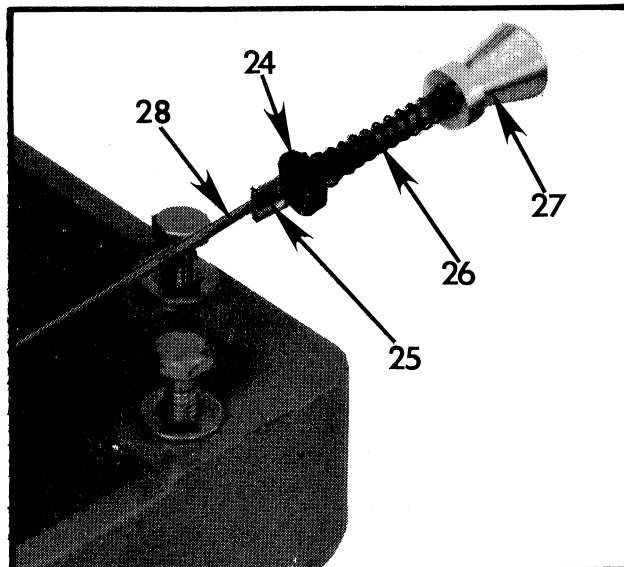




DET	PART NUMBER	DESCRIPTION
01	10-3034-0-258	Upper Lateral Lever (AF)
	10-3034-0-300	Upper Lateral Lever (CT)
02	01-2016-0-000	Screw
03	10-3019-0-300	Lower Lateral Lever (CT)
	10-3019-1-006	Lower Lateral Lever(AF)
04	10-3300-0-006	Lever Extension
05	01-7004-0-000	Roll
06	10-3020-0-000	Stud (CT)
	10-3020-0-006	Stud (AF)
07	10-3303-0-000	Combination Lever
08	01-2324-0-000	Screw
09	01-4005-0-000	Washer

10	01-3013-0-000	Nut
11	10-3301-1-006	Screw
12	10-3302-0-000	Link
13	01-2085-0-000	Screw
14	01-4006-0-000	Washer
15	10-2259-0-000	Plunger
16	01-5172-0-000	Spring
17	01-2392-0-000	Screw
18	10-2258-0-000	Cover
19	10-2257-0-000	Shifter
20	10-2260-0-001	Guide Plate
21	01-7023-0-000	Roll
22	01-7043-0-000	Roll
23	10-3033-0-017	Block
24	10-2006-2-000	Bedplate Stud
25	10-2007-0-000	Roll
26	10-2058-0-000	Clip

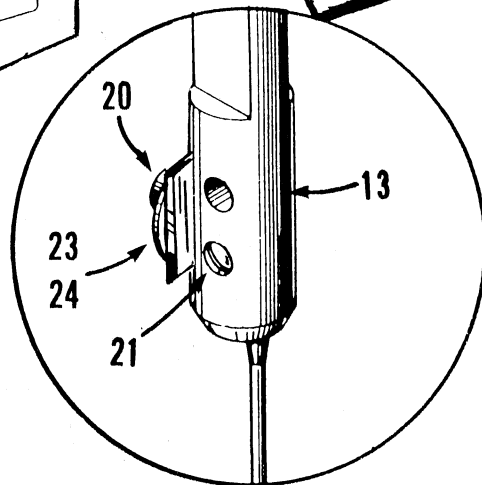
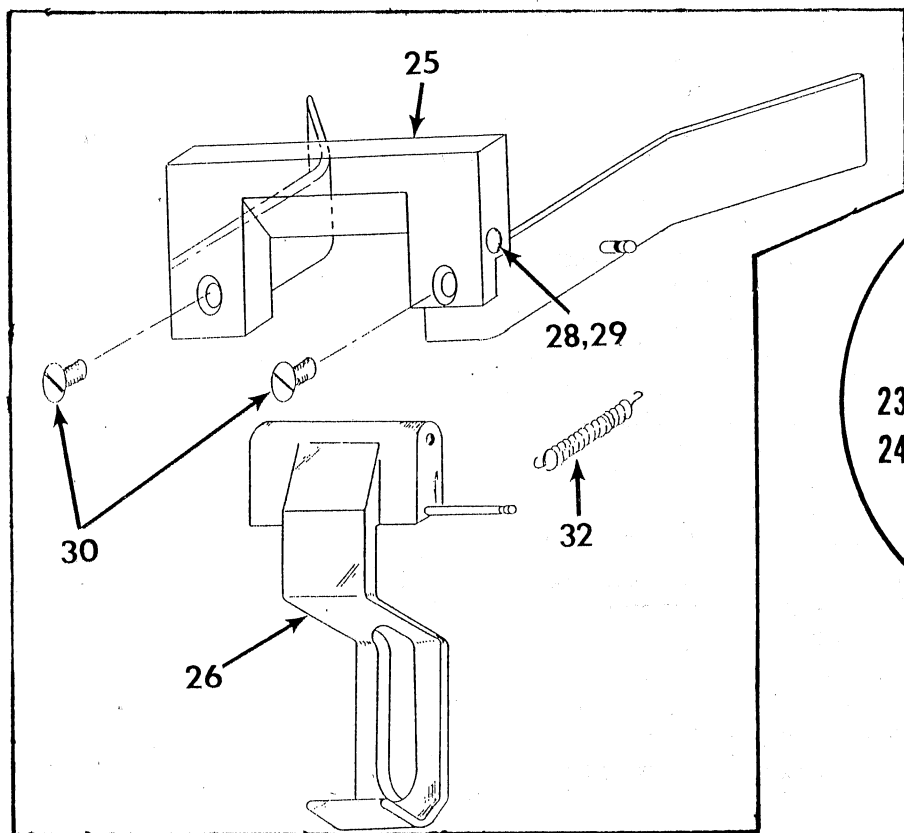
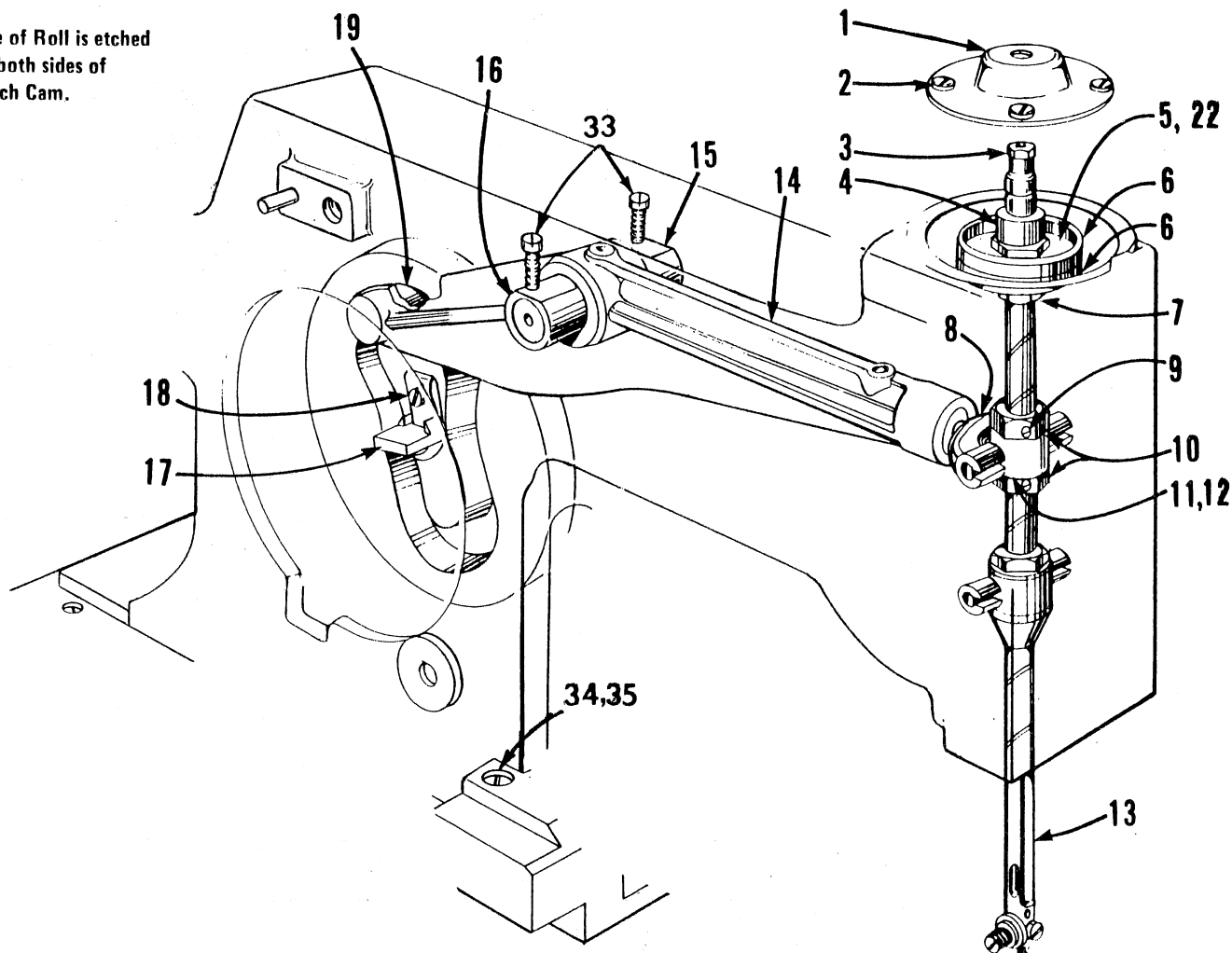




DET	PART NUMBER	DESCRIPTION
01	07-0086-0-001	Stud Ball
02	01-4701-0-000	Washer
03	07-0087-0-001	Retainer
04	07-0302-1-000	Gas Spring
05	10-3607-1-000	Cord Guide
06	01-2247-0-002	Screw
07	01-2872-0-400	Screw
08	01-4528-0-006	Washer
09	13-3107-1-000	Sector
10	01-2247-0-002	Screw
11	13-3127-0-000	Cord Guide
12	01-2877-0-003	Screw (Long)
13	01-4746-0-000	Washer
14	01-2877-0-000	Screw (Short)
15	01-7447-1-000	Guide
16	01-6551-0-000	Guide Retainer
17	13-3109-0-002	Thread Guide
18	13-3106-0-001	Plastic Bushing, LH
19	13-3106-0-002	Plastic Bushing, RH
20	10-4550-0-000	Guide
21	13-3102-0-001	Cam Case Support LH
22	13-3105-0-000	Cam Case Support RH
23	14-0603-0-050	Harness Asm.-Head
24	01-4002-0-000	Washer
25	13-5025-1-000	Link
26	01-5061-0-000	Spring
27	04-1791-0-000	Knob
28	13-5024-0-000	Extension Link

NEEDLE BAR DRIVE

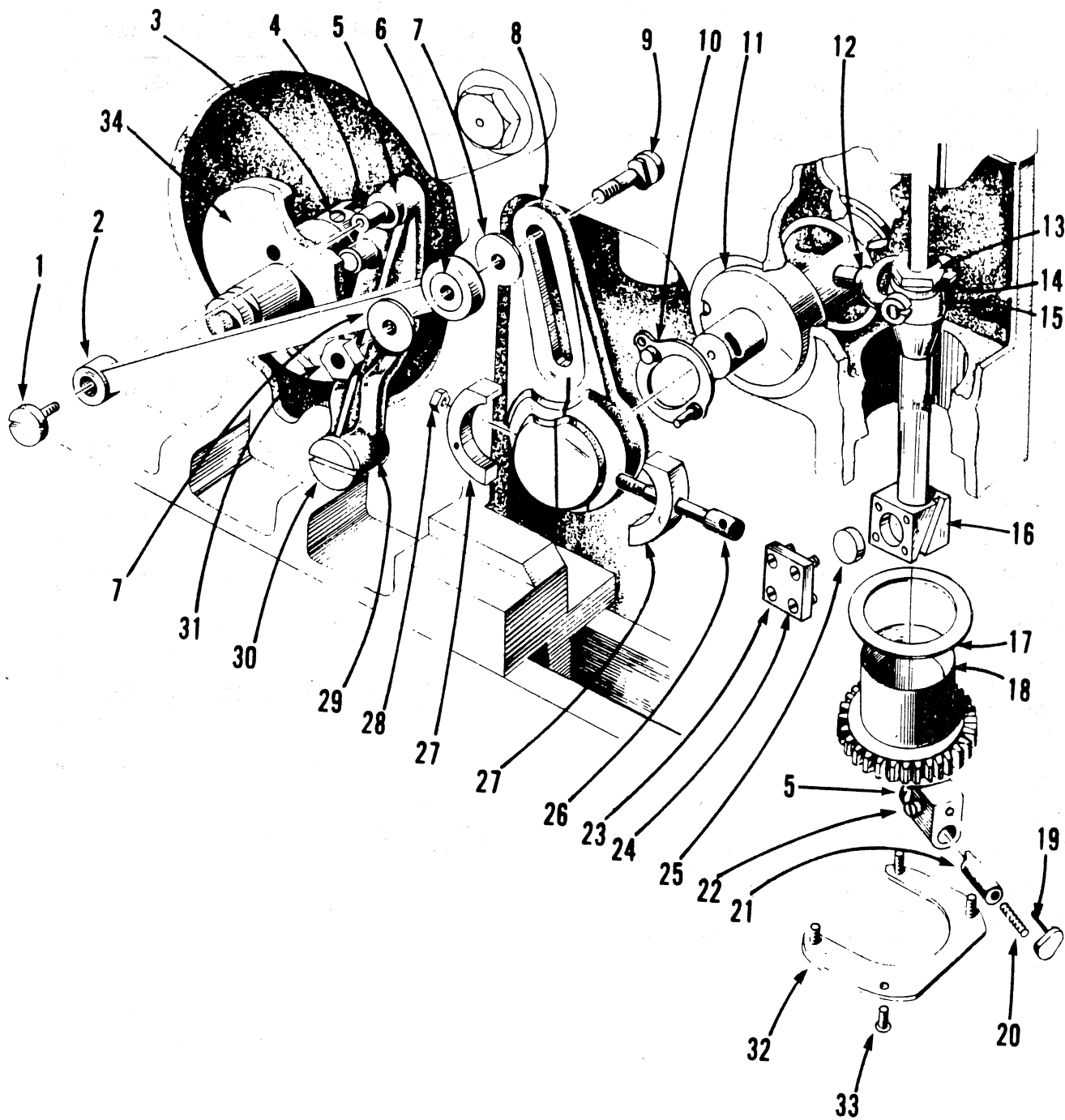
Size of Roll is etched on both sides of Stitch Cam.



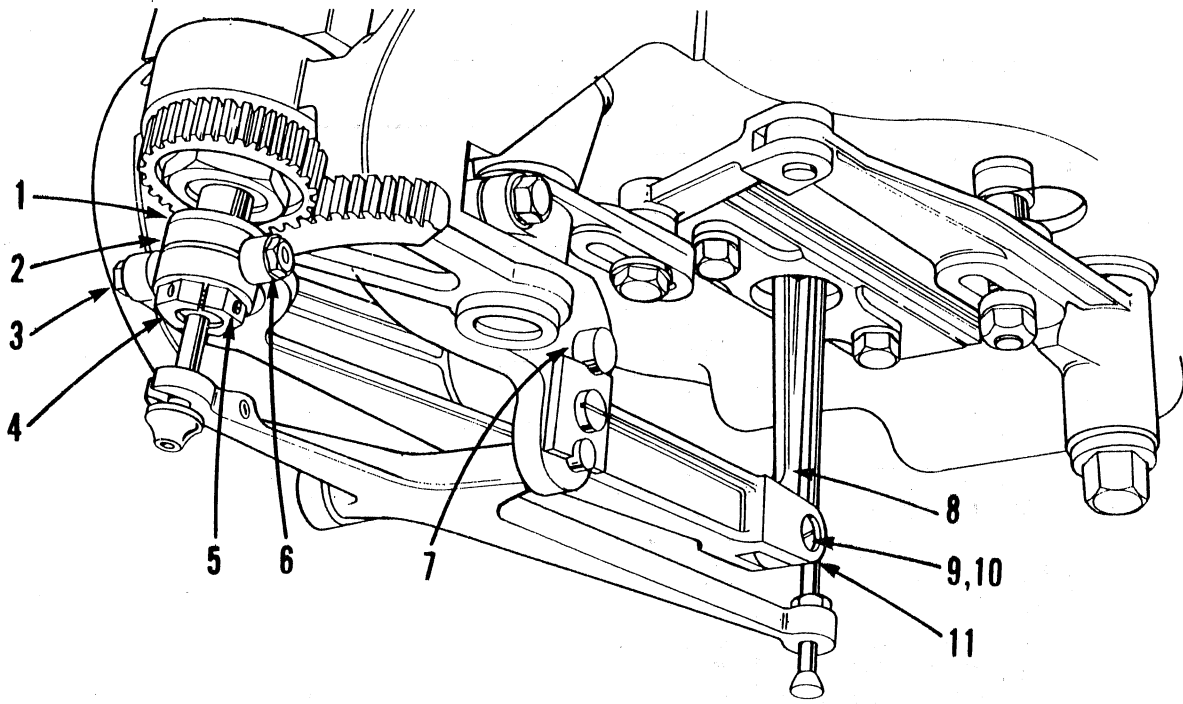
DET	PART NUMBER	DESCRIPTION
01	10-1014-1-000	Cap
02	01-2131-0-000	Screw
03	10-1032-0-000	Bushing
04	14-1017-0-000	Guide (w/Nut)
05	14-1016-0-050	Needle Bar Guide
06	10-1015-1-000	Spacer
07	10-1016-2-000	Nut
08	14-1046-0-050	Yoke
09	01-2419-0-000	Screw
10	10-1027-1-050	Nut
11	10-1045-2-000	Gimbal
12	01-7015-0-000	Bushing
13	14-1028-0-000	Needle Bar
14	14-1047-0-050	Lever
15	13-1049-0-000	Bushing
16	13-1050-0-000	Pivot Stud
17	10-1152-0-000	Clip
18	01-2079-0-000	Screw
19	10-1122-0-010	Roll (see Chart)
20	10-1030-0-017	Screw
21	01-2193-0-000	Screw
22	10-1042-2-000	Diaphragm
23	01-5167-0-000	Spring
24	10-1029-1-000	Disc. Tension
	13-1029-0-000	Tension Plate
25	14-1258-1-000	Pivot Guard Asm.
26	14-1252-1-000	Finger Guard
28	01-2557-0-001	Screw
29	01-1241-0-001	Screw
30	01-2659-0-000	Screw
32	01-5429-0-000	Spring
33	01-2599-0-003	Screw
34	01-1147-0-003	Soc Head Cap Screw
	01-2343-0-000	Screw, Slotted
35	01-4117-0-000	Washer

ROLL CHART			
DIA.	ROLLER PART NO.	SIZE	
.5000 + .0000 - .0003	10-1122-0-010	STD.	
.5002 + .0000 - .0002	10-1122-0-999	#1 O.S.	
.5004 - .0000 - .0002	10-1122-0-998	#2 O.S.	
.5006 + .0000 - .0002	10-1122-0-980	#3 O.S.	
* {	.5010 + .0000 - .0002	10-1122-0-011	#5 O.S.
	.5014 + .0000 - .0002	10-1122-0-012	#6 O.S.
	.5018 + .0000 - .0002	10-1122-0-013	#7 O.S.
	.5022 + .0000 - .0002	10-1122-0-014	#8 O.S.
	.5026 + .0000 - .0002	10-1122-0-015	#9 O.S.
	.5030 + .0000 - .0002	10-1122-0-016	#10 O.S.

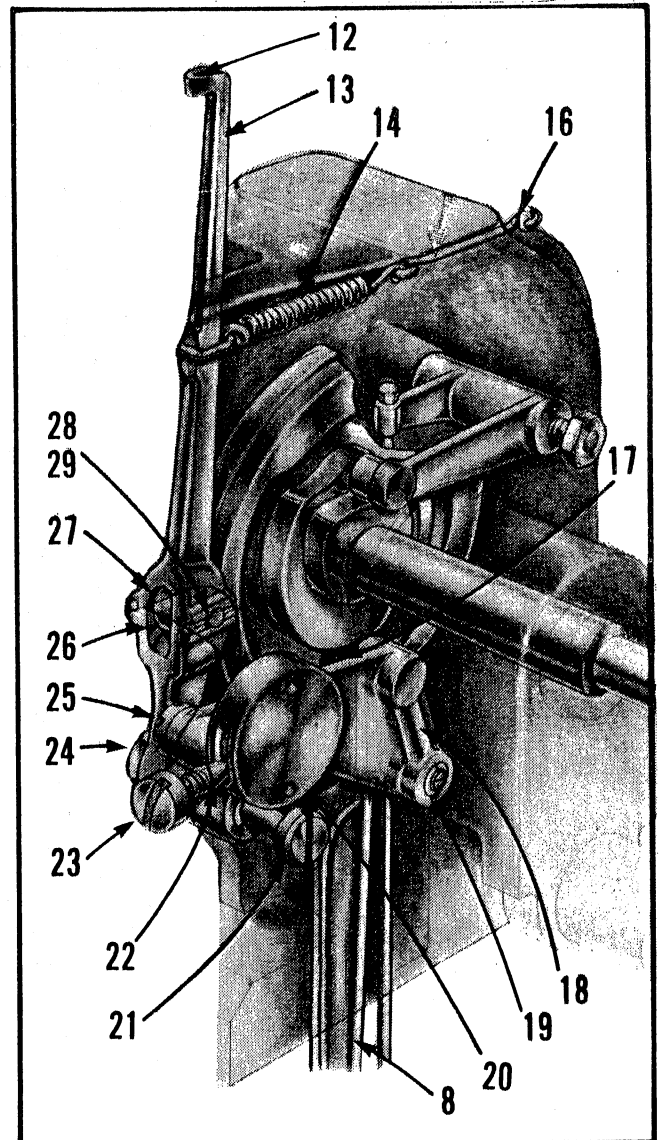
*** TO BE USED
ON OVERSIZED
CAM SLOTS**

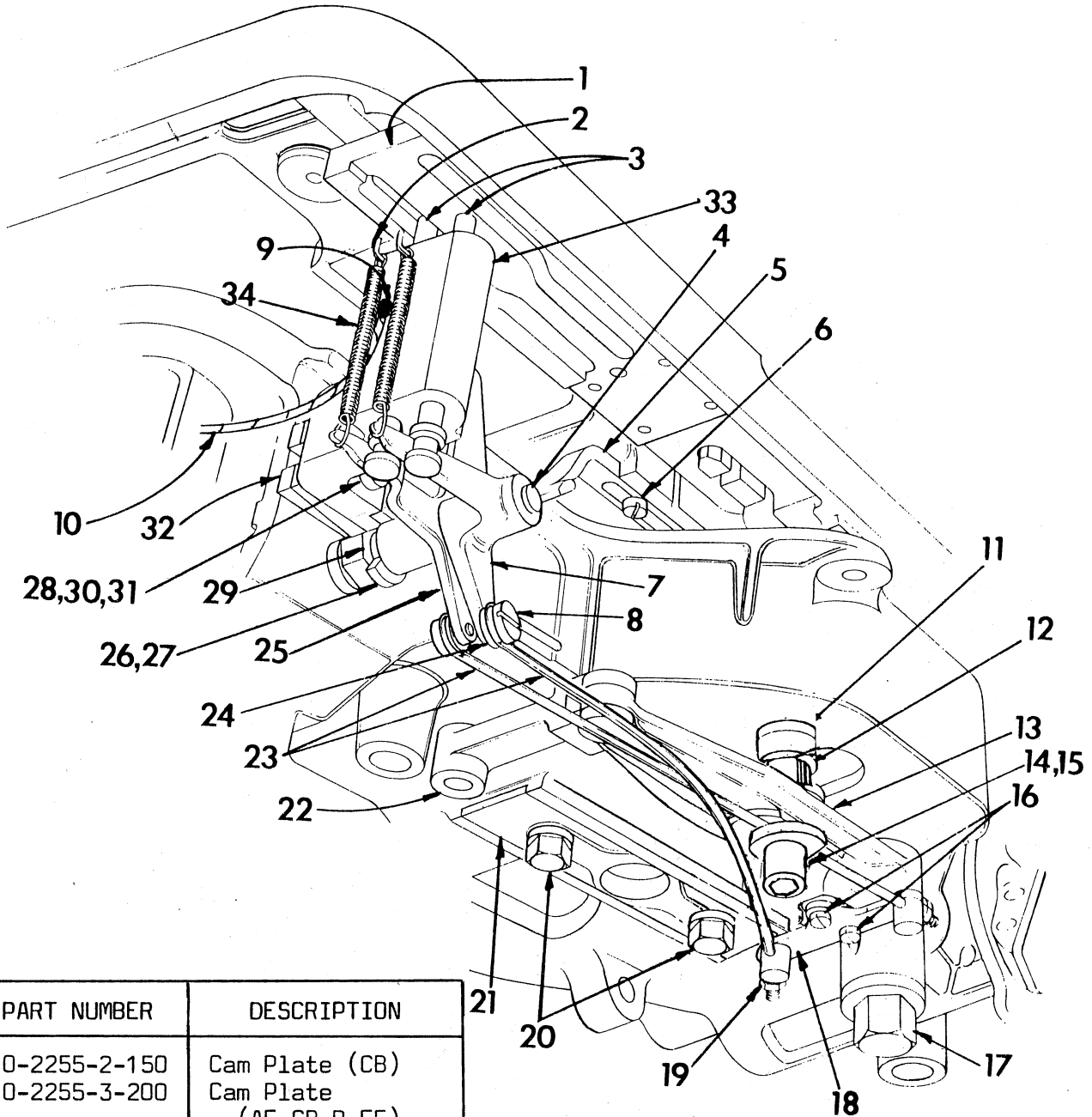


DET	PART NUMBER	DESCRIPTION
01	01-2011-0-000	Screw
02	14-1041-0-000	Drag Link
03	10-1031-0-000	Screw
04	10-1076-0-000	Coupling Block
05	10-1024-0-002	Washer (Standard) .0779"-.0782"
	10-1024-0-001	Washer (Oversize) .0782"-.0785"
	10-1024-0-003	Washer (Oversize) .0776"-.0779"
06	10-1040-0-000	Bushing
07	10-1039-0-000	Washer
08	10-1038-2-000	Crank
09	10-1037-0-000	Stud
10	10-1153-0-000	Plate
11	14-1035-0-050	Barrel
12	10-1034-0-000	Yoke
13	10-1156-0-000	Nut
14	01-4034-0-001	Washer (.0623"-.0626")
	01-4034-0-002	Washer (.0626"-.0629")
	01-4034-0-003	Washer (.0629"-.0632")
	01-4034-0-004	Washer (.0632"-.0635")
	01-4034-0-005	Washer (.0635"-.0638")
15	10-1033-1-000	Gimbal
16	10-1026-2-000	Block
17	01-4081-0-005	Shim (.005")
	01-4081-0-006	Shim (.006")
	01-4081-0-008	Shim (.008")
	01-4081-0-009	Shim (.009")
	01-4081-0-010	Shim (.010")
	01-4081-0-011	Shim (.011")
	01-4081-0-012	Shim (.012")
18	10-1023-3-000	Gear
19	10-1021-1-000	Retainer
20	01-5003-0-000	Spring
21	10-1022-0-000	Guide
22	01-2008-0-000	Screw
23	10-1065-0-000	Cap
24	01-2100-0-000	Screw
25	14-1025-0-000	Button
26	13-1036-0-000	Bolt
27	10-1147-0-000	Block
28	01-3028-0-000	Nut
29	14-1043-0-000	Cam Follower
30	10-1044-0-000	Screw
31	01-3012-0-000	Nut
32	10-1150-0-000	Plate
33	01-2075-0-001	Screw
34	05-0531-0-001	Cam



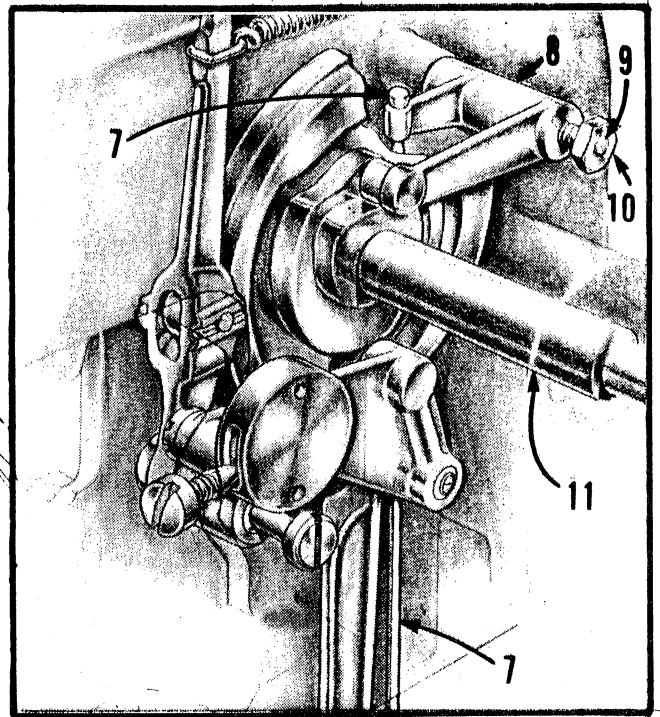
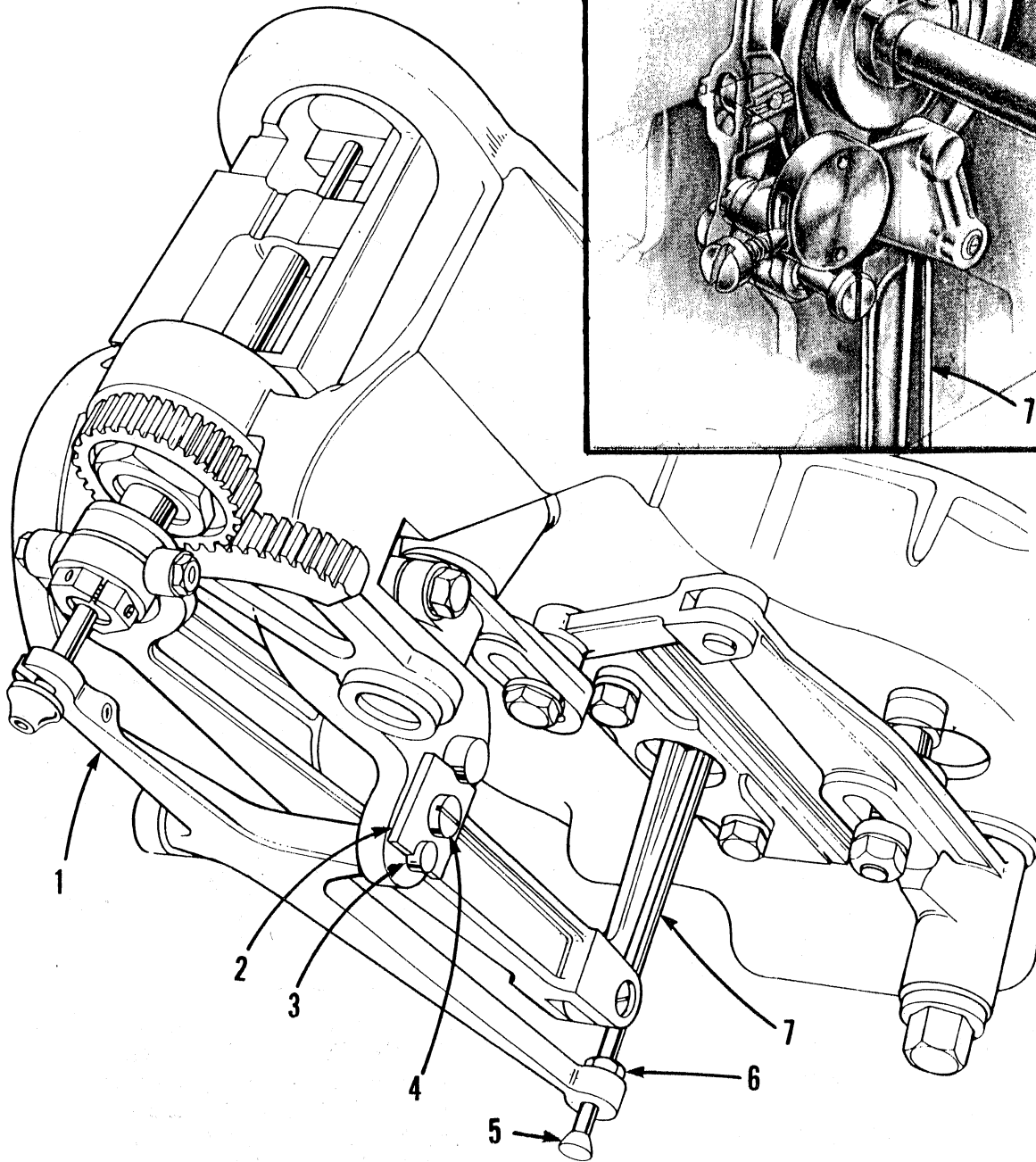
DET	PART NUMBER	DESCRIPTION
01	01-4010-0-000	Washer
02	10-4024-0-000	Bearing Ring
03	01-3020-0-000	Nut
04	14-4023-0-000	Collar
05	01-2007-0-000	Clamp Screw
06	10-3007-0-000	Bearing
07	10-3005-0-000	Pivot Pin
08	14-1067-0-000	Looper Link
09	10-3008-0-000	Screw
10	01-3010-0-000	Nut
11	14-3006-0-150	Looper Lever (CA)
	14-3006-0-165	Looper Lever (CA/wB)
	14-3006-0-200	Looper Lever (CB/CA)
12	01-7041-0-000	Bushing
13	14-1236-0-000	Take-Up Lever Asm.
14	01-5005-0-001	Spring Asm.
16	01-6831-0-002	Anchor
17	10-1122-0-997	Roll (.010")
	10-1122-0-998	Roll (No.2)
	10-1122-0-999	Roll (No.1)
18	14-1064-1-000	Cam Follower
19	10-1066-2-000	Pivot Screw
20	10-1063-0-000	Timing Screw
21	10-1055-0-000	Pivot Screw
22	10-1062-0-000	Jam Plug
23	01-2063-0-000	Screw
24	10-1054-0-000	Pivot Bushing
25	01-2012-0-000	Screw
26	01-4751-0-000	Spacers
27	01-7630-0-001	Ball Bearing
28	13-1052-0-001	Stud
29	10-1053-0-000	Cotter Pin





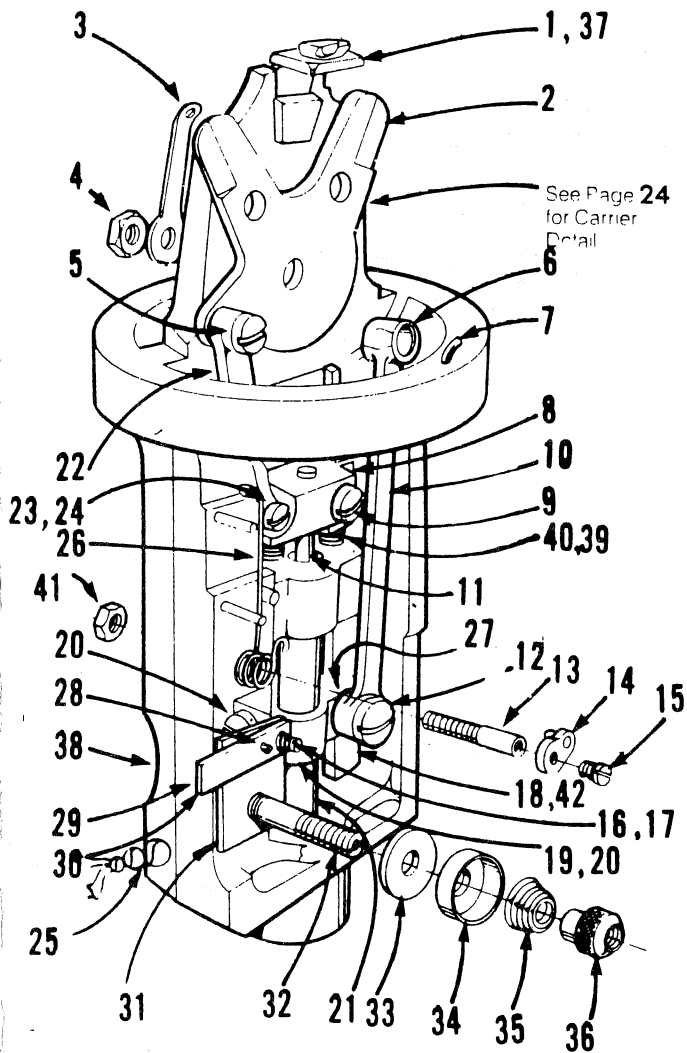
DET	PART NUMBER	DESCRIPTION
01	10-2255-2-150	Cam Plate (CB)
	10-2255-3-200	Cam Plate (AF-CB-R-FE)
02	01-6006-0-000	Pin
03	10-3252-1-000	Pin
04	01-1447-0-000	Stud (AF)
05	10-2256-0-000	Bracket
06	01-2043-0-000	Screw
07	10-3254-0-000	Pin Actuator RH
08	01-1432-0-000	Screw
09	07-0400-0-003	Wick
10	07-0401-0-007	Wick
11	10-3018-0-000	Roll (CA)
12	14-3017-0-000	Stud Sector Lever
13	03-5245-0-000	Sector Lever Rep] Replacement Kit
14	01-1594-0-000	Nut
15	01-4154-0-000	Washer
16	01-2079-0-000	Screw
17	10-3016-0-000	Stud
18	10-3258-0-000	Bracket

19	01-3016-0-000	Nut
20	01-2031-0-000	Screw
21	10-3027-0-000	Plate
22	10-3012-0-000	Link
23	10-3259-1-001	Wire Rod-Right
	10-3259-1-002	Wire Rod-Left
24	01-4472-0-000	Washer
25	10-3253-0-000	Pin Actuator LH
26	10-3262-0-250	Lever
27	01-2006-0-000	Screw
28	01-2088-0-000	Screw
29	10-3257-0-000	Spacer Washer
30	01-4046-0-000	Lockwasher
31	01-6031-0-000	Taper Pin
32	10-3250-1-000	Spacer Wedge
33	14-3251-0-000	Bracket
34	01-5054-0-000	Spring

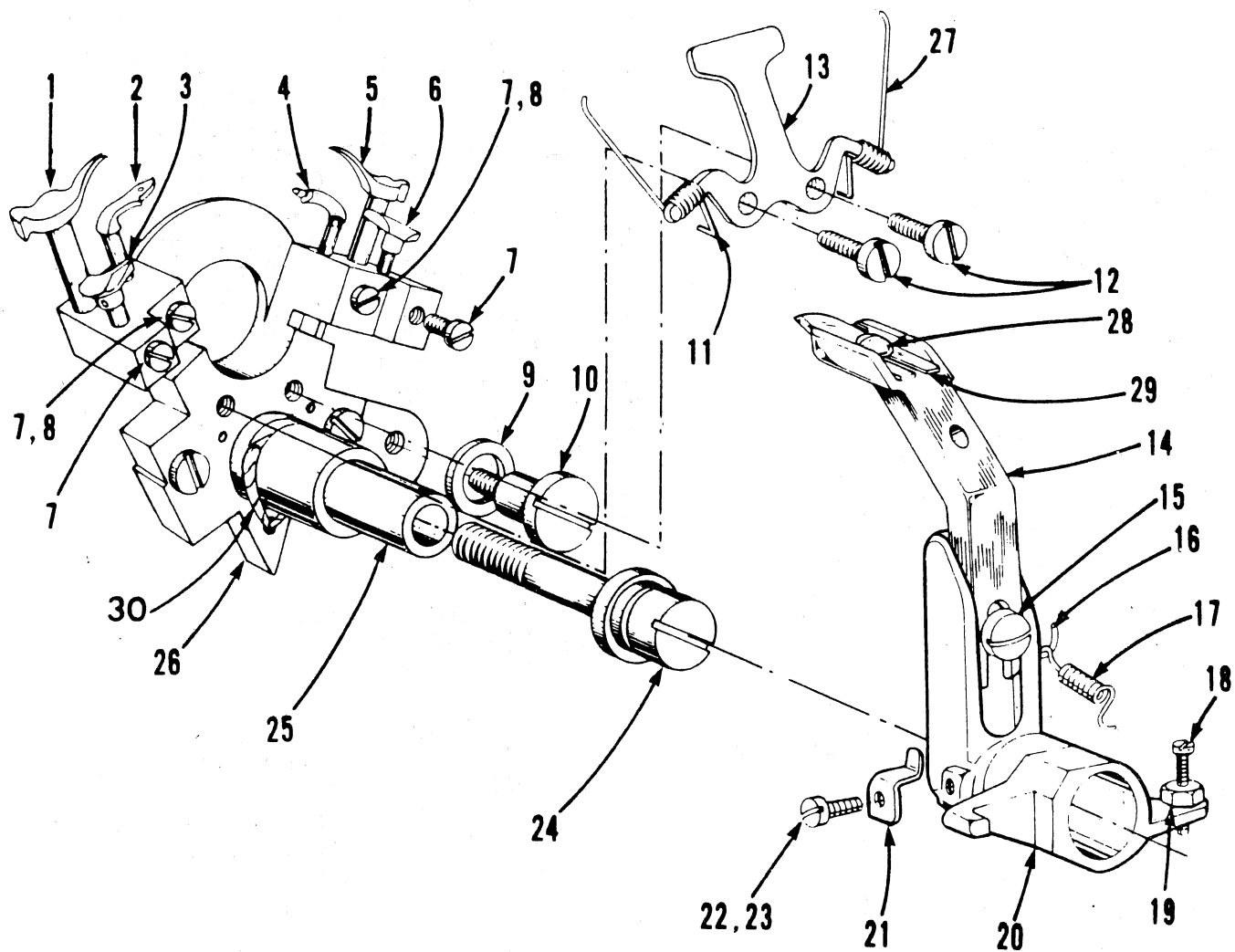


DET	PART NUMBER	DESCRIPTION
01	14-3004-0-000	Spreader Lever
02	10-3002-0-000	Locking Plate
03	10-3003-0-000	Pivot Pin
04	01-2041-0-000	Screw
05	10-1061-1-000	Ball Tip

06	01-3025-0-000	Nut
07	10-1060-2-000	Spreader Link
08	14-1058-0-000	Spreader Cam Follower
09	10-1059-0-000	Pivot Pin
10	01-3005-0-000	Nut
11	13-1091-1-000	Stitch Cam/Shaft Asm.



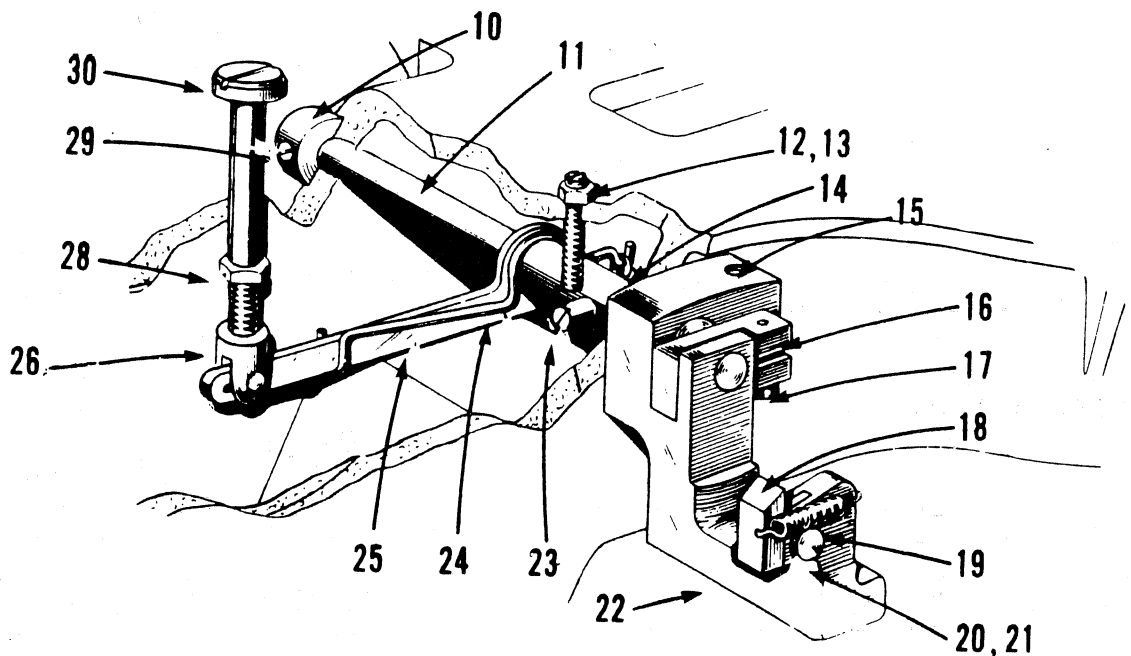
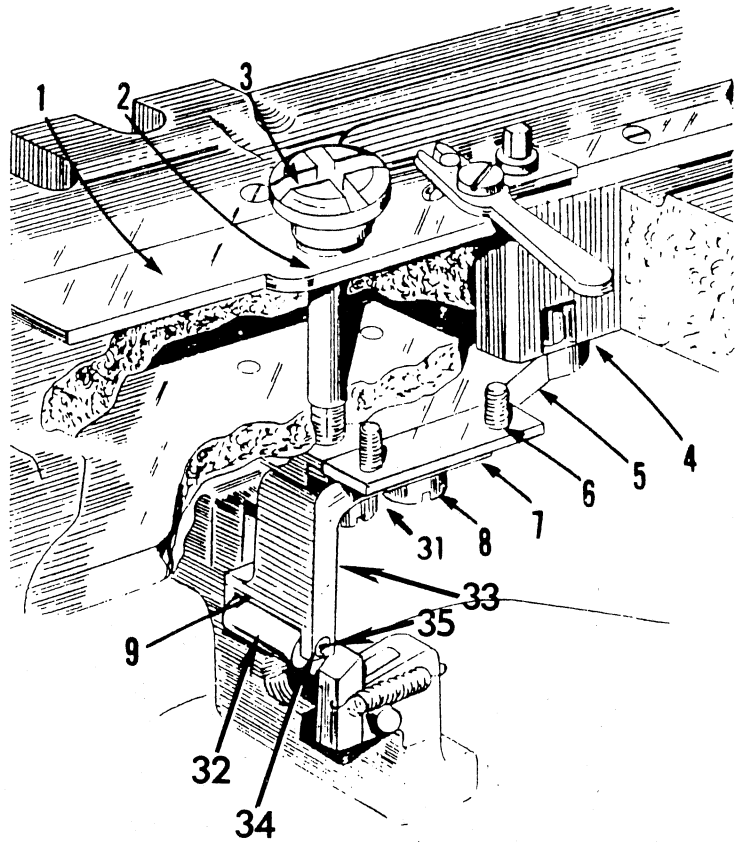
DET	PART NUMBER	DESCRIPTION
01	10-4012-0-001	Throat Plate (AF-CA-R-RE)
	10-4012-0-004	Throat Plate (AF-CB/CA-R-RE)
	14-4012-0-025	Throat Plate (LTT)
02	14-4011-0-150	Spreader Wedge (CA)
	14-4011-0-200	Spreader Wedge (CB & CB/CA)
03	10-4035-0-000	Cord Guide
04	01-3005-0-000	Nut
05	10-4017-0-000	Screw
06	01-7022-0-000	Bushing
07	01-6002-0-000	Pin
08	10-4018-0-000	Spreader Crosshead
09	01-2059-0-000	Screw
10	14-4013-0-000	Looper Link
11	10-4020-0-000	Spreader Spindle
12	01-1006-0-000	Screw
13	10-4037-0-000	Stud
14	10-4036-0-000	Spring Arm
15	01-2081-0-000	Screw
16	10-4034-0-000	Screw
17	01-5004-0-000	Spring
18	10-4026-0-000	Guide Plate
19	10-4021-0-000	Looper Crosshead
20	01-2024-0-000	Screw
21	14-4022-0-000	Looper Spindle
22	14-4015-0-000	Spreader Link
23	10-4016-0-000	Screw
24	01-4012-0-000	Washer
25	07-0401-0-009	Wick
26	01-5027-0-000	Spring
27	01-4013-0-000	Washer
28	01-6003-0-000	Pin
29	10-4033-0-050	Tension Plate Asm.
30	10-4028-0-000	Tension Plate
31	10-1077-0-000	Plate (AF-CB-R-FE)
	10-4033-0-000	Plate
32	10-4029-0-000	Stud
	10-4218-0-200	Stud (AF-CB-R-FE)
33	10-1078-0-000	Roller Tension (CB)
	10-4032-0-000	Thin Disc
34	10-4031-0-000	Heavy Disc
35	01-5028-0-000	Spring
36	10-4030-0-000	Nut
37	01-2056-0-000	Screw
38	14-4001-0-150	Race Sub-Asm. (AF-CA)
	14-4001-0-200	Race (AF-CB)
39	10-4019-0-000	Plunger
40	01-5026-0-000	Spring
41	01-3001-0-000	Nut
42	01-2013-0-000	Screw

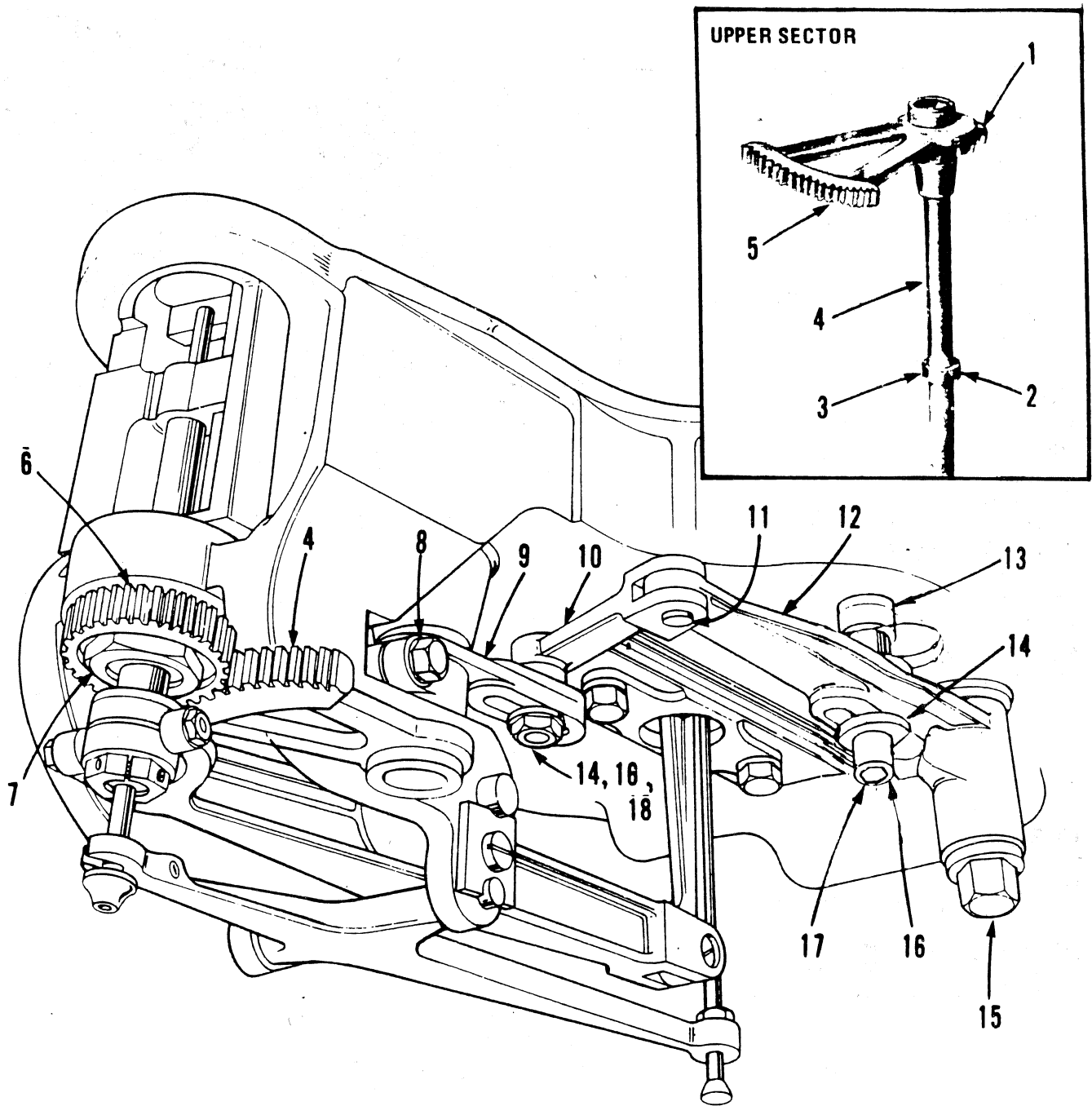


DET	PART NUMBER	DESCRIPTION
01	14-4009-0-000	Spreader, L.H.
02	14-4005-0-000	Eye Looper
03	10-4007-0-000	Spreader Stop, L.H.
04	14-4004-0-000	Blinder Looper
05	14-4008-0-000	Spreader, R.H.
06	10-4006-0-000	Spreader Stop, R.H.
07	01-2001-0-000	Screw
08	10-4039-0-000	Felt Pad
09	01-4013-0-000	Washer
10	01-1006-0-000	Screw
11	01-5620-0-000	Spring, L.H.
12	01-2073-0-000	Screw
13	10-4010-2-000	Needle Guard
14	10-1198-1-000	Knife Holder

15	01-2081-0-000	Screw
16	01-6002-0-000	Pin
17	01-5041-0-000	Spring
18	01-2361-0-000	Screw
19	01-3025-0-000	Nut
20	10-4202-0-000	Knife Holder
21	10-4203-0-000	Retaining Ring
22	01-2318-0-000	Screw
23	01-4015-0-000	Washer
24	14-4201-0-000	Stud
25	10-4003-0-000	Bushing
26	14-4002-0-000	Looper Carrier
27	01-5619-0-000	Spring, R.H.
28	01-2667-0-000	Screw
29	14-1197-0-000	Knife
30	07-0401-0-004	Wick

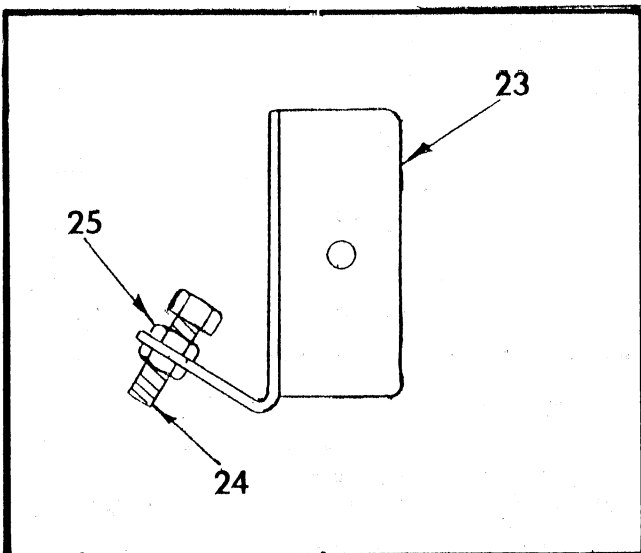
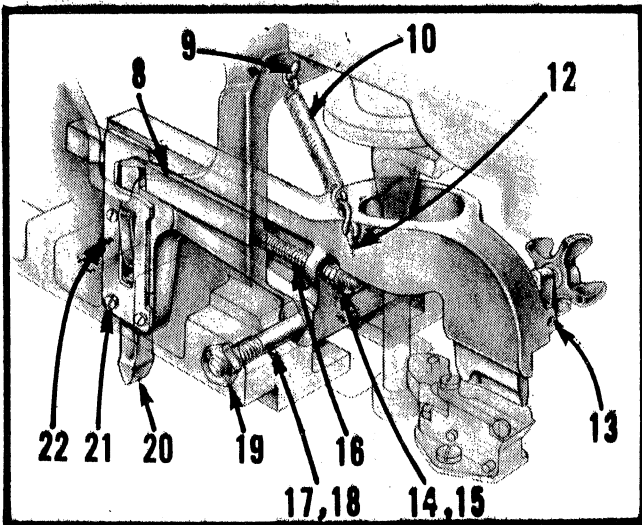
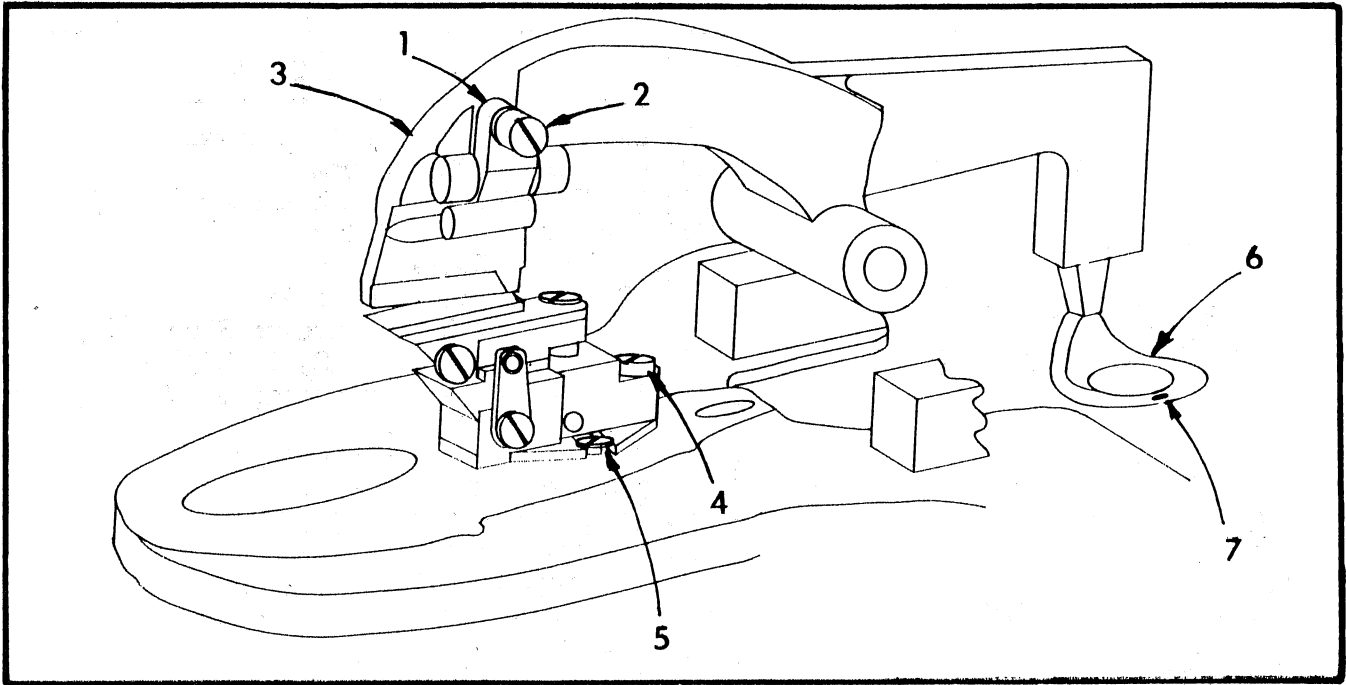
DET	PART NUMBER	DESCRIPTION
01	10-2251-0-001	Length Plate
02	01-4006-0-000	Washer
03	14-2254-0-000	Adjusting Bolt
04	10-2262-0-000	Block
05	10-2263-0-000	Link
06	01-2131-0-000	Screw
07	10-2264-0-000	Rail
08	01-2175-0-000	Screw
09	14-2069-0-050	Bracket Asm.
10	01-7435-1-000	Collar
11	14-5019-0-000	Shaft
12	01-2077-0-000	Screw
13	01-3005-0-000	Nut
14	01-5134-0-000	Spring
15	01-2171-0-000	Screw
16	14-3088-C-000	Clamp
17	01-2144-0-000	Screw
18	10-3089-2-000	Latch
19	01-5433-0-000	Spring
20	01-6528-0-000	Pivot
21	01-6368-0-000	Retaining Ring
22	14-3087-0-000	Actuator
23	10-3203-0-000	Stop
24	10-3086-0-000	Lever, Spring Hook (AF)
25	10-3085-0-050	Lever Asm. (AF)
26	10-3205-0-000	Clevis
28	01-3016-0-000	Nut
29	01-2194-0-000	Screw
30	10-3206-0-000	Actuator
31	14-5032-0-000	Spacer Trip (AT)
32	14-2069-0-802	Trip Roller
33	14-2069-0-000	Trip Bracket
34	01-6612-0-000	Pin
35	01-6280-0-000	Retaining Ring



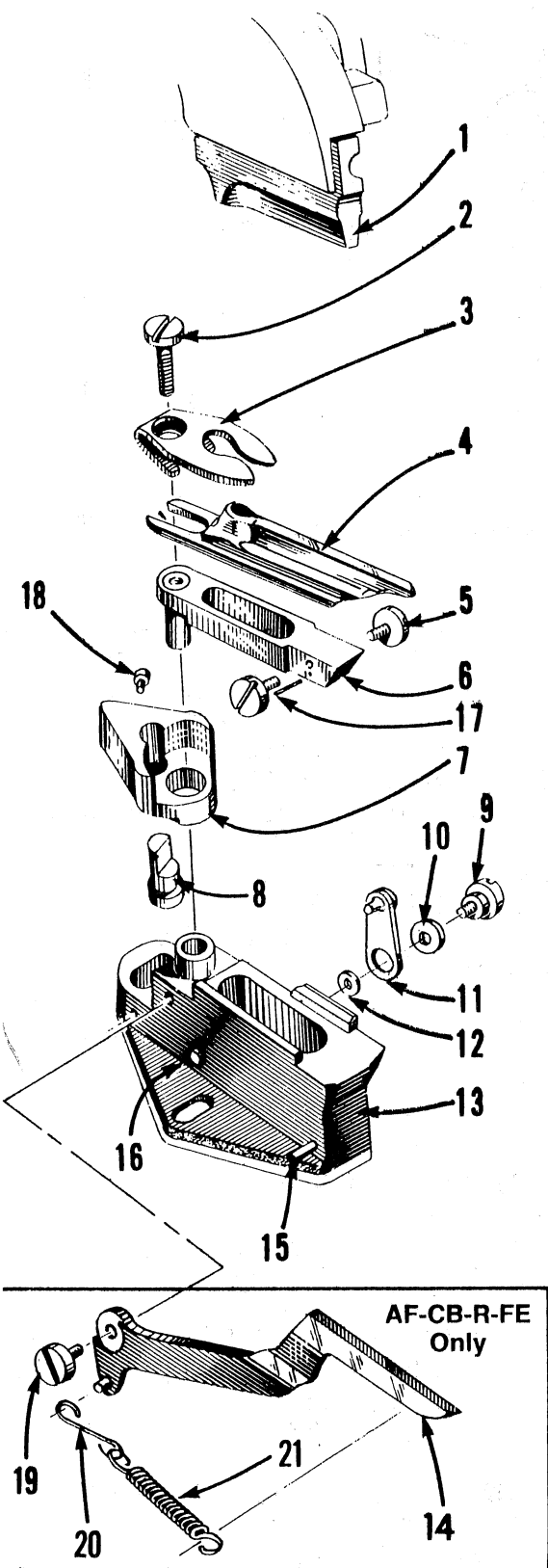


DET	PART NUMBER	DESCRIPTION
01	01-2014-0-000	Screw
02	10-3010-0-000	Collar
03	01-2028-0-000	Screw
04	10-3009-0-000	Lower Sector & Shaft
05	10-1075-1-000	Upper Sector
06	10-4025-0-000	Gear
07	01-3018-0-000	Nut
08	01-2016-0-000	Screw

09	10-3011-0-000	Lever, Short Sector
10	10-3012-0-000	Link
11	10-3026-0-000	Stud
12	03-5245-0-000	Sector Lever Replacement Kit
13	10-3018-0-000	Roll (CA)
14	01-4154-0-000	Washer
15	01-1594-0-000	Stud
16	01-1395-0-004	Screw*
17	14-3017-0-000	Stud, Sector Lever
18	10-3013-0-000	Stud, Short Lever



DET	PART NUMBER	DESCRIPTION
01	10-1163-0-000	Clamp (CA)
02	01-2027-0-000	Screw
03	10-1068-1-050	Cutting Lever Asm.
	10-1154-0-050	Cutting Lever Asm. (AF-CB)
04	01-2038-0-000	Screw
05	01-2039-0-000	Screw
06	10-3062-1-000	Cutting Cam
	13-3062-1-000	Cutting Cam (AF-CB/CA-R-RE only)
07	01-6983-0-001	Pin, Cutting Cam
08	10-1072-0-000	Pressure Bar
09	01-6560-0-000	Anchor
10	01-5006-0-001	Spring Asm.
12	01-6006-0-000	Anchor
13	01-6837-0-000	Pin
14	01-3001-0-000	Nut
15	01-4001-0-000	Washer
16	01-5061-0-000	Spring
17	10-1074-0-000	Pivot Stud, Left
18	10-1074-0-000	Pivot Stud, Right (CT)
	10-1074-0-250	Pivot Stud, Right (AF)
19	01-3006-0-000	Nut
20	10-1071-1-023	Cutting Cam Follower (CB/CA-RE only)
	10-1071-2-000	Cutting Cam Follower
21	01-2013-0-000	Screw
22	10-1073-0-000	Cover Plate
23	14-1237-0-000	Cutting Lever Stop
24	01-1576-0-000	Screw Nylon
25	01-3001-0-000	Nut
26	01-2004-0-000	Screw (AF)



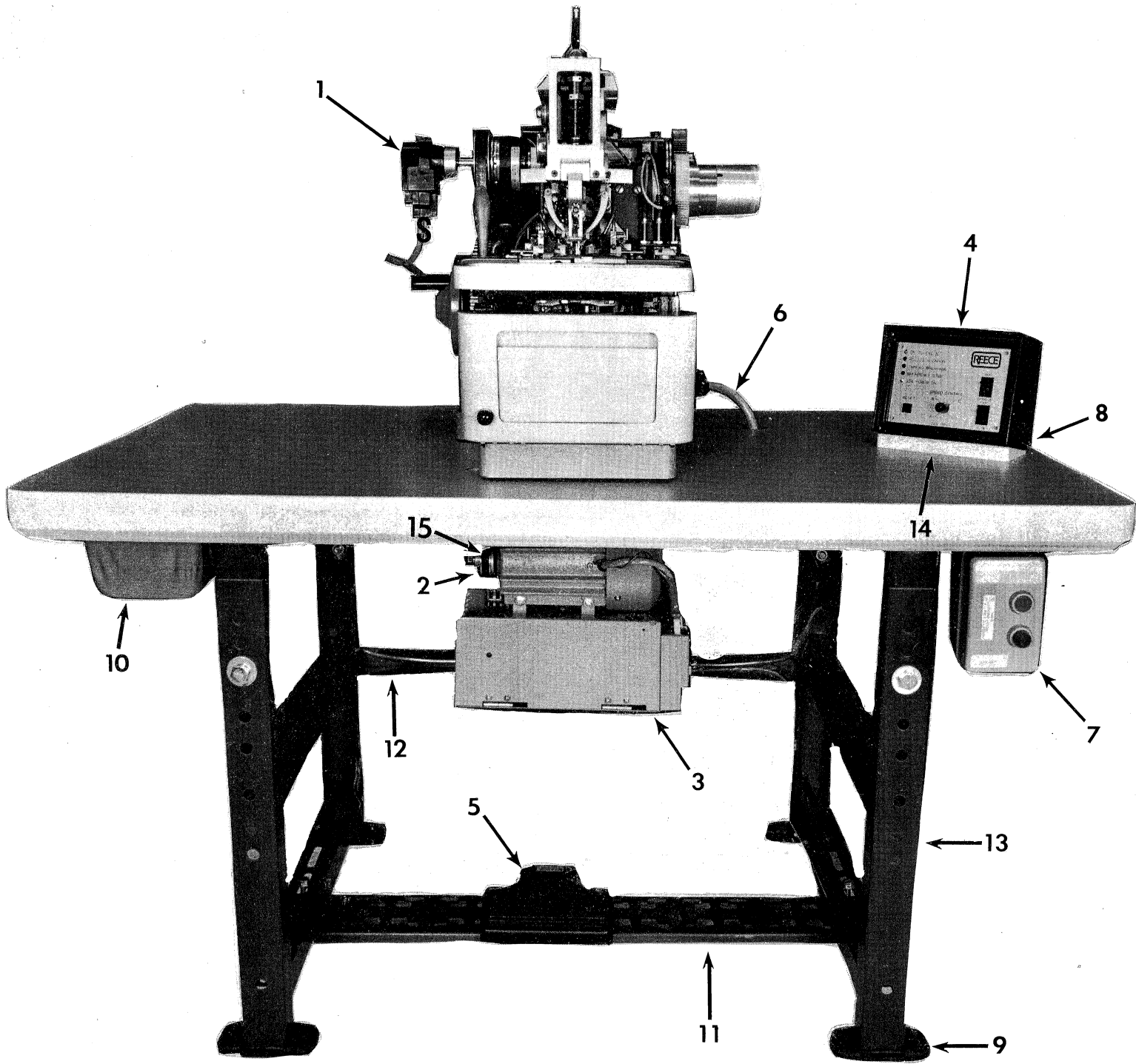
DET	PART NUMBER	DESCRIPTION
01	see Chart	Cutting Steel
02	01-2039-0-000	Screw
03	10-3074-0-011	Cloth Lifter (L.T.)
04	see Chart	Knives
05	01-2102-0-000	Screw
06	10-3071-1-250	Knife Pad
07	10-3067-3-253	Spreading Block (CA) (CB, CB/CA)
	10-3067-4-254	Spreading Block (CB, CB/CA)
08	10-3218-0-000	Stud
09	01-1130-0-000	Screw (CA)
10	01-4003-0-000	Washer
11	01-5173-0-000	Spring
12	01-4029-0-000	Washer
13	10-3070-0-250	Knife Holder
14	10-3260-1-000	Cloth Lifter
15	01-6005-0-000	Anchor Pin
16	01-6328-0-000	Stop Pin
17	01-6036-0-000	Pin
18	01-2001-0-000	Screw
19	01-1131-0-000	Screw (AF-CB-R-FE)
20	10-3261-0-000	Link (AF-CB-R-FE)
21	01-5029-0-000	Spring (AF-CB-R-FE)

CUTTING STEELS

Model	Size & Style	Part No.
		A11 10-1069-Plus
AF-CA-R-RE	1/2" Eye	0-001
and AF-CB/CA-R-RE	5/8" Eye	0-002
	3/4" Eye	0-003
	7/8" Eye	0-004
	1" Eye	0-005
	1-1/8" Eye	0-006
	1-1/4" Eye	0-007
	1/2" No Eye	0-010
	5/8" No Eye	0-011
	3/4" No Eye	0-012
	7/8" No Eye	0-013
	1" No Eye	0-014
	1-1/8" No Eye	0-015
	1-1/4" No Eye	0-016
AF-CB-R-FE	1/2" Eye	0-073
(may also be used with AF-CB-R-RE)	5/8" Eye	0-074
	3/4" Eye	0-075
	7/8" Eye	0-076
	1" Eye	0-077
	1-1/8" Eye	0-078
	1-1/4" Eye	0-079
	5/8" No Eye	0-082
	3/4" No Eye	0-083
	7/8" No Eye	0-084
	1" No Eye	0-085
	1-1/8" No Eye	0-086
	1-1/4" No Eye	0-087

KNIVES

Model	Size & Style	Part No.
AF-CA-R-RE	1-1/4" RE	10-3072-0-024
and AF-CB/CA-R	1-1/4" NE	10-3072-0-023
and RE		
AF-CB-R-FE	1-1/4" FE	10-3072-0-033
	1-1/4" NE	10-3072-0-023



DET	PART NUMBER	DESCRIPTION
01	14-0622-0-000	Syncro - AC Servo
02	14-0621-0-000	Motor - AC Servo
03	14-0623-0-000	Control Box - AC Servo
04	14-0610-0-050	Control Box Asm.
05	14-0609-0-050	E-Stop Foot Pedal
05		Assembly
06	14-0606-0-050	Cable - I/O

07	04-1974-0-000	Starter - Manual Motor 3.5-1.1 amp
08	14-0604-0-050	Cable - Control
09	04-2501-0-000	Cushion Double Rubber
10	04-2510-0-000	Drawer
11	04-2539-0-000	Rail Treadle
12	04-2540-0-000	Rail Back
13	04-2505-0-000	Legs - HDK Adjustable
14	14-1967-0-000	Control Box Support
15	05-0087-0-420	Belt



CORD TRIM

BUTTONHOLE MACHINES

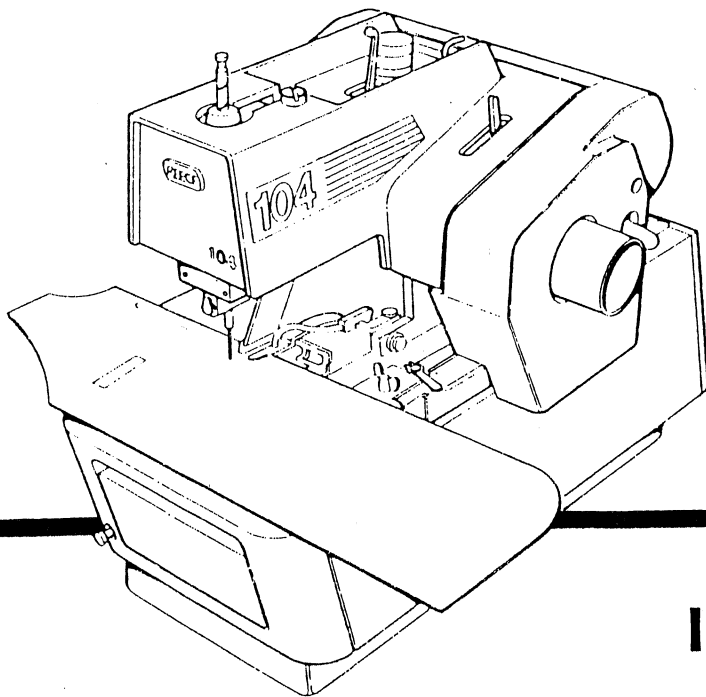
series 104

MODELS

CT·CA·RE

CT·CA·LE

CT·CB·RE



ILLUSTRATED PARTS

This section contains parts special to Cord Trim models. All other parts are standard and should be found in the Adjustable Flybar (basic) Section of this Manual.





CORD TRIM

BUTTONHOLE MACHINES

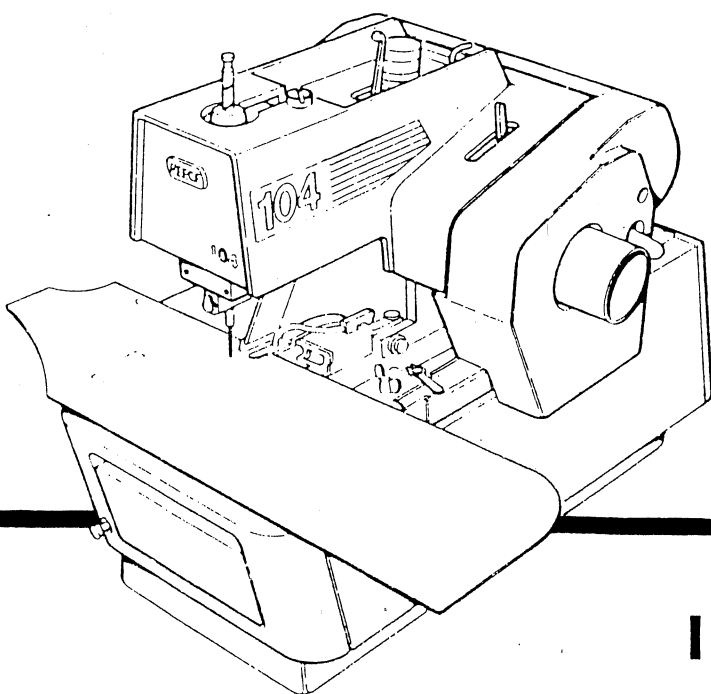
series 104

MODELS

CT·CA·RE

CT·CA·LE

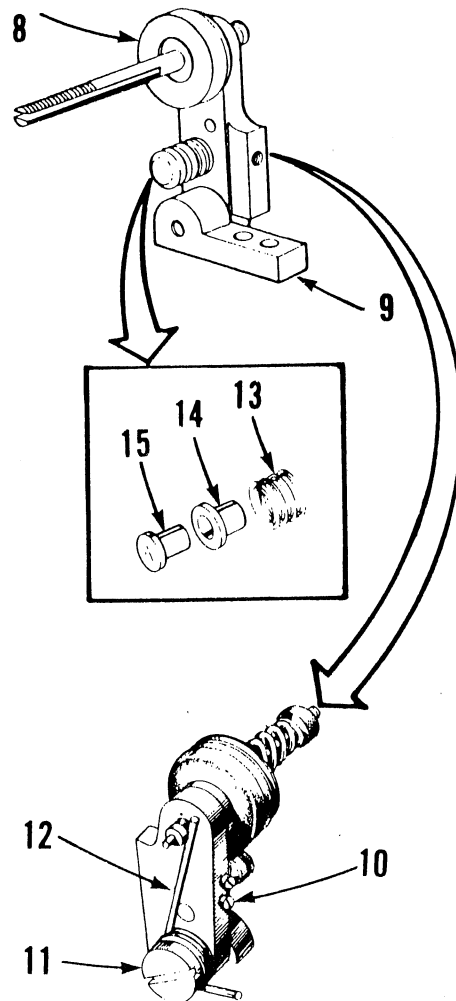
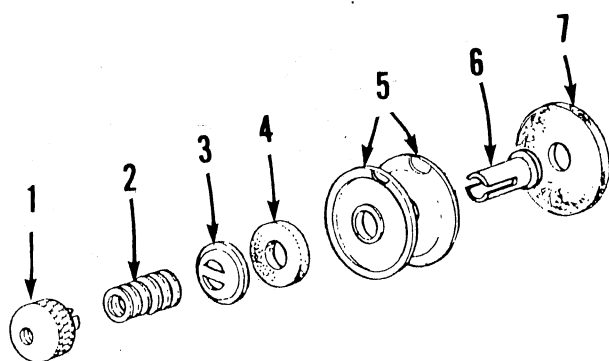
CT·CB·RE



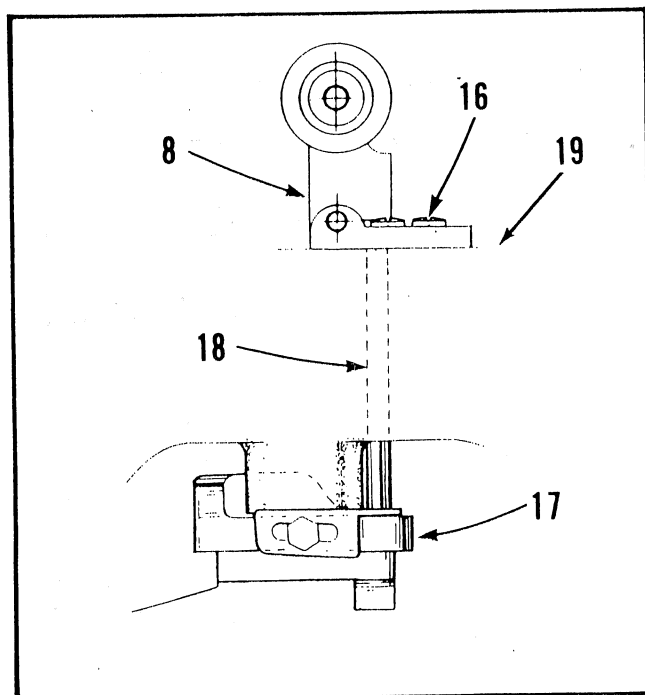
ILLUSTRATED PARTS

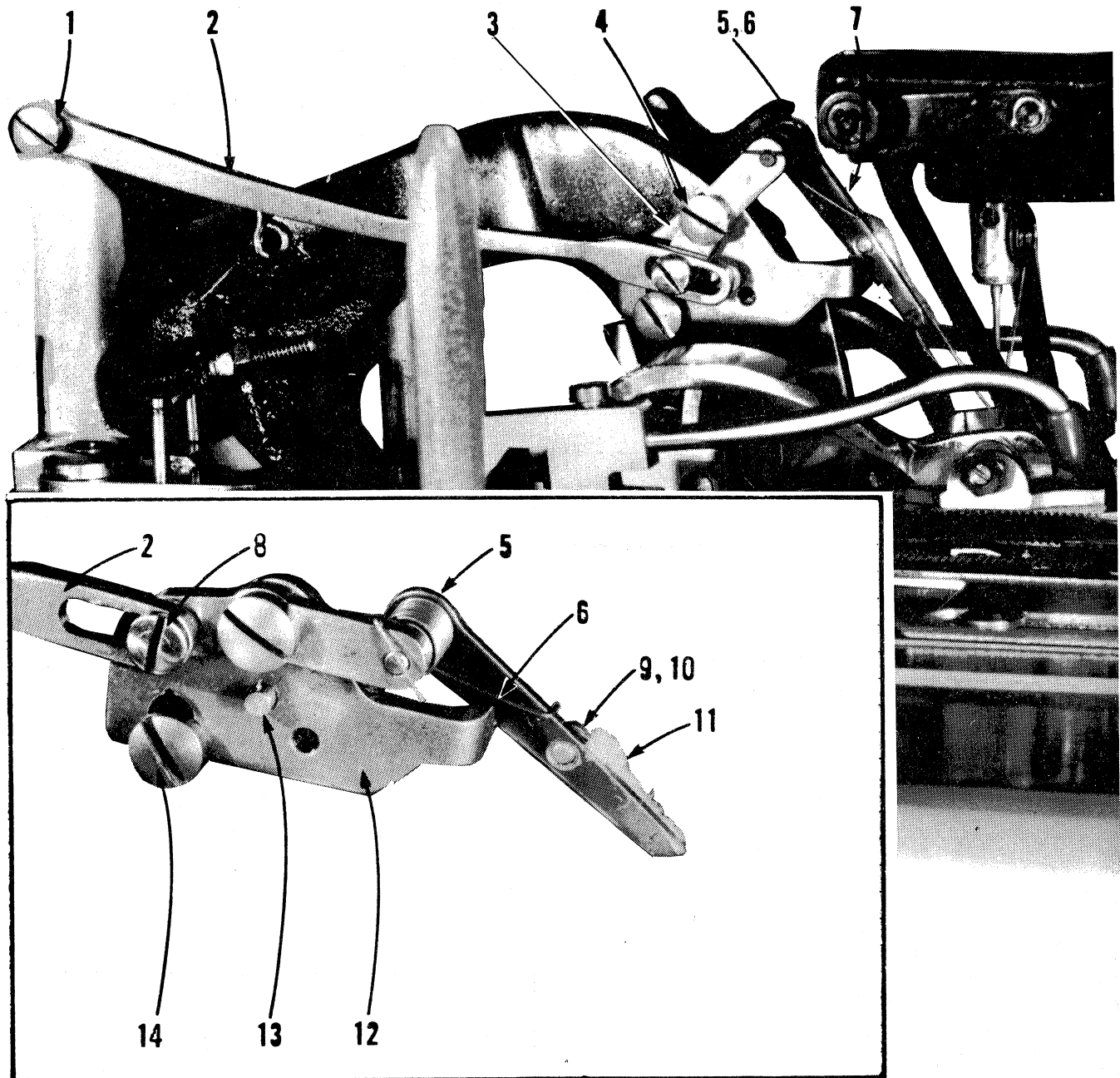
This section contains parts special to Cord Trim models. All other parts are standard and should be found in the Adjustable Flybar (basic) Section of this Manual.



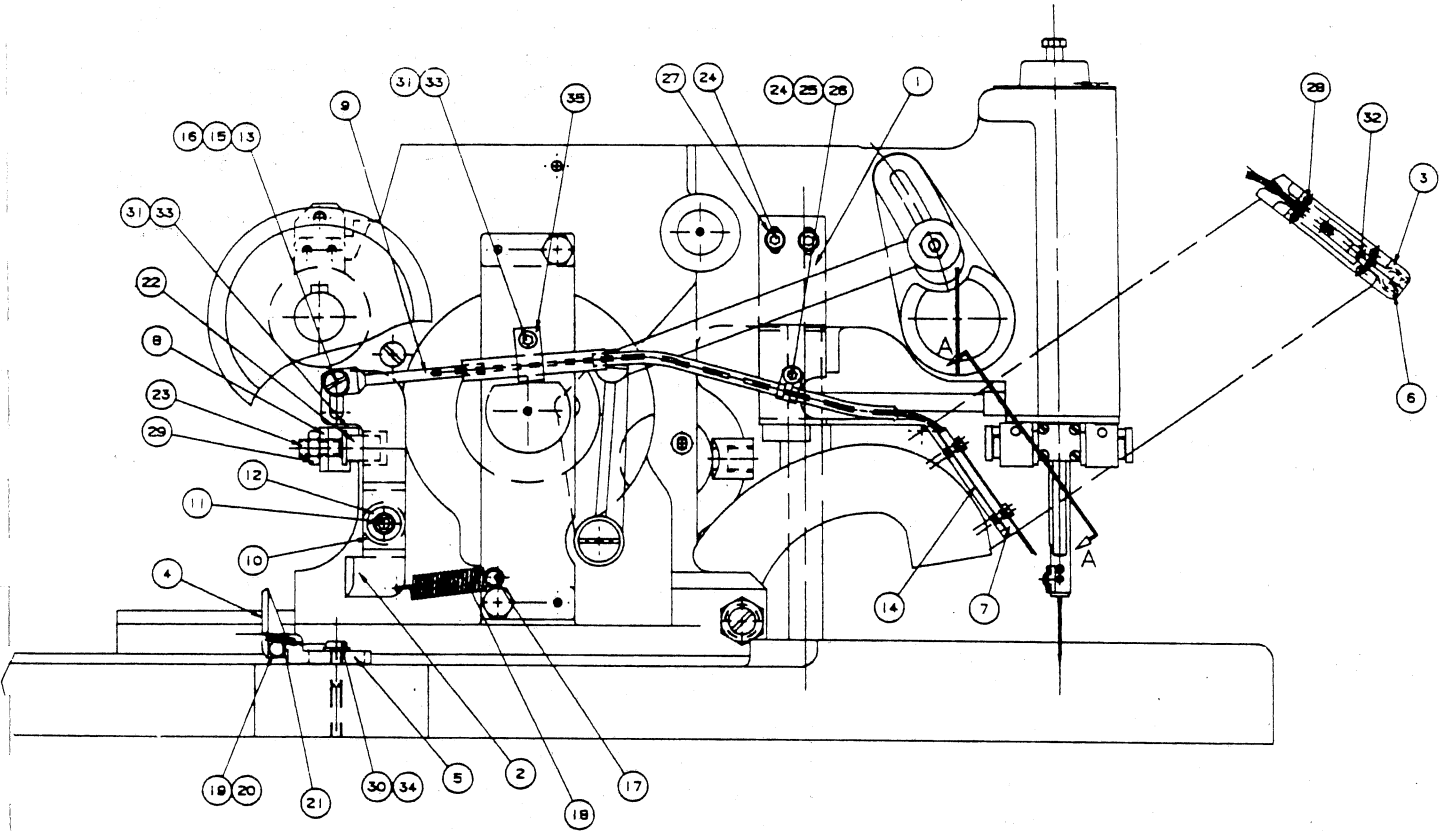


DET	PART NUMBER	DESCRIPTION
01	10-4030-0-000	Nut
02	01-5603-0-000	Spring
03	10-1003-0-000	Washer
04	10-1004-0-000	Felt Washer
05	10-1005-0-000	Split Tension
	10-1078-1-000	Tension Roller (for Solid Roller Tension)
06	10-1007-0-000	Bushing
07	10-1077-0-000	Felt Washer
08	10-1158-1-050	Tension Arm
09	10-1159-0-000	Tension Bracket
10	01-2001-0-000	Screw
11	01-1114-0-000	Screw
12	01-5163-0-000	Torsion Spring
13	01-5002-0-000	Spring
14	10-1009-0-000	Bushing
15	10-1008-0-000	Guide
16	01-2039-0-000	Screw
17	10-1160-0-000	Cam
18	01-6334-0-000	Rod
19	13-1001-0-050	Head



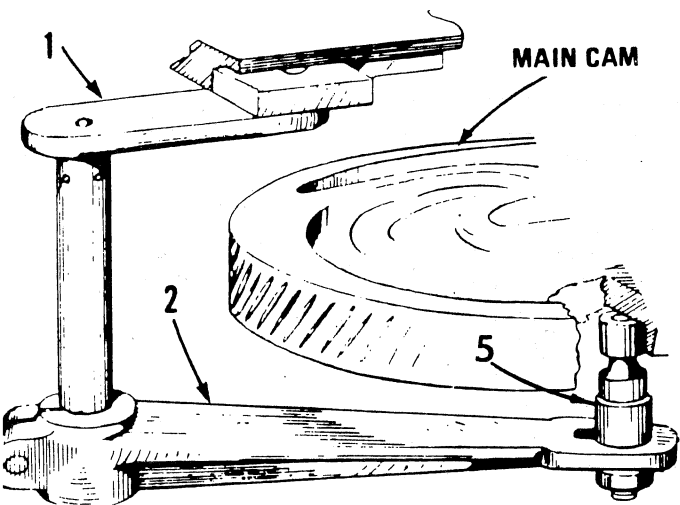


DET	PART NUMBER	DESCRIPTION
01	10-1214-0-000	Screw
02	14-1205-0-000	Link, Upper Thd. Pick-up
03	10-1206-0-000	Link
04	10-1210-1-000	Pivot Screw
05	10-1208-0-000	Screw
06	01-5045-1-000	Spring
07	14-1207-0-000	Pickup Hook
08	10-1209-0-000	Screw
09	01-2053-0-000	Screw
10	10-1211-0-000	Felt Retainer
11	10-1213-0-000	Felt
12	14-1204-0-000	Adj. Plate
13	01-6009-0-000	Pivot Pin
14	01-2006-0-000	Adj. Screw

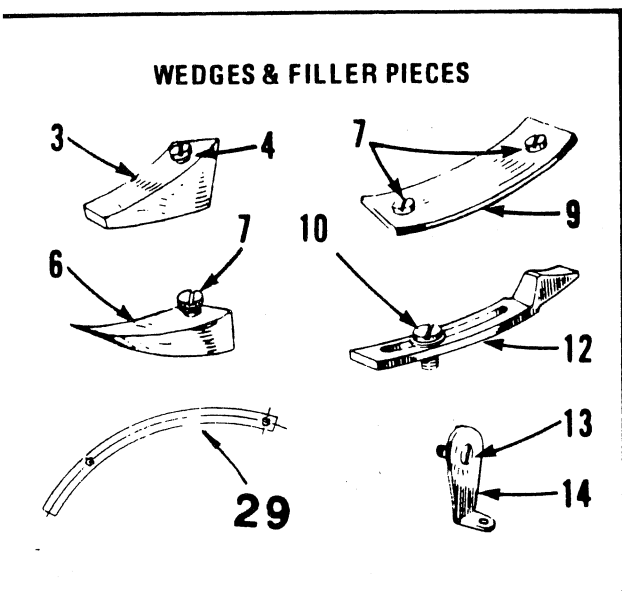


DET	PART NUMBER	DESCRIPTION
01	14-6001-0-000	Mounting Bracket
02	14-6002-0-000	Link
03	14-6003-0-000	Track Cover
04	14-6011-0-000	Latch
05	14-6004-0-000	Actuator
06	14-6005-0-000	Hook
07	14-6006-0-000	Track Guide
08	14-6007-0-000	Stop Bracket
09	14-6010-1-000	Cable Assembly
10	14-6008-0-000	Bearing
11	01-2450-0-000	Screw
12	01-4145-0-000	Washer
13	01-1520-0-000	Screw
14	14-6013-0-000	Shim
15	01-4404-0-000	Washer

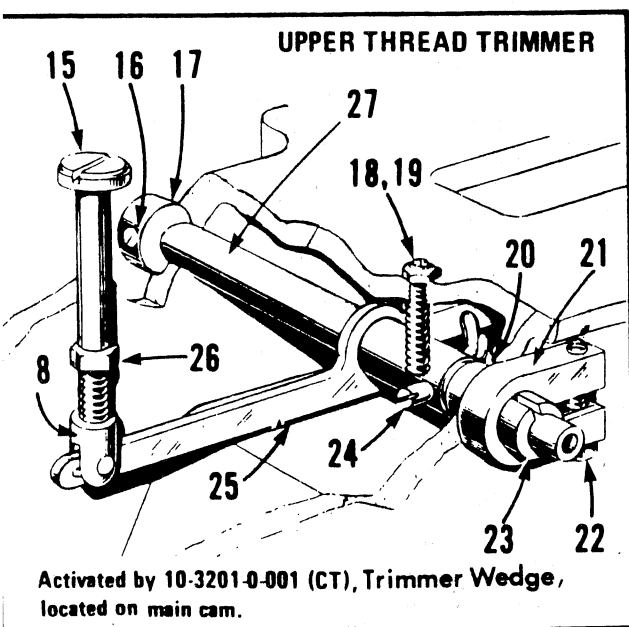
16	01-3404-0-000	Nut
17	01-6015-0-000	Anchor
18	01-5666-0-000	Spring
19	01-6528-0-000	Pivot Pin
20	01-6368-0-000	Retaining Ring
21	01-5433-0-000	Spring
22	13-2087-1-000	Bumper
23	13-2086-0-001	Screw
24	01-2558-0-000	Screw
25	01-4571-0-000	Lock Washer
26	07-0204-0-001	Tube Clip
27	01-4411-0-300	Washer
28	01-2334-0-000	Screw
29	01-3007-0-000	Nut
30	01-2247-0-001	Screw
31	01-4412-0-000	Washer
32	01-1592-0-000	Screw
33	01-2506-0-000	Screw
34	01-4067-0-000	Washer
35	14-6015-0-000	Clip



MAIN CAMS		
PROD. NO.	DESCRIPTION	PART NUMBER
14-233	CT-CA-5/8"-RE	10-3064-2-036
14-234	CT-CA-5/8"-LE	10-3064-1-033
14-235	CT-CA-3/4"-RE	10-3064-1-037
14-236	CT-CA-7/8"-RE	10-3064-1-038
14-237	CT-CB-3/4"-RE	14-3064-0-037
14-238	CT-CB-5/8"-RE	14-3064-0-036
14-239	CT-CB-7/8"-RE	14-3064-0-038

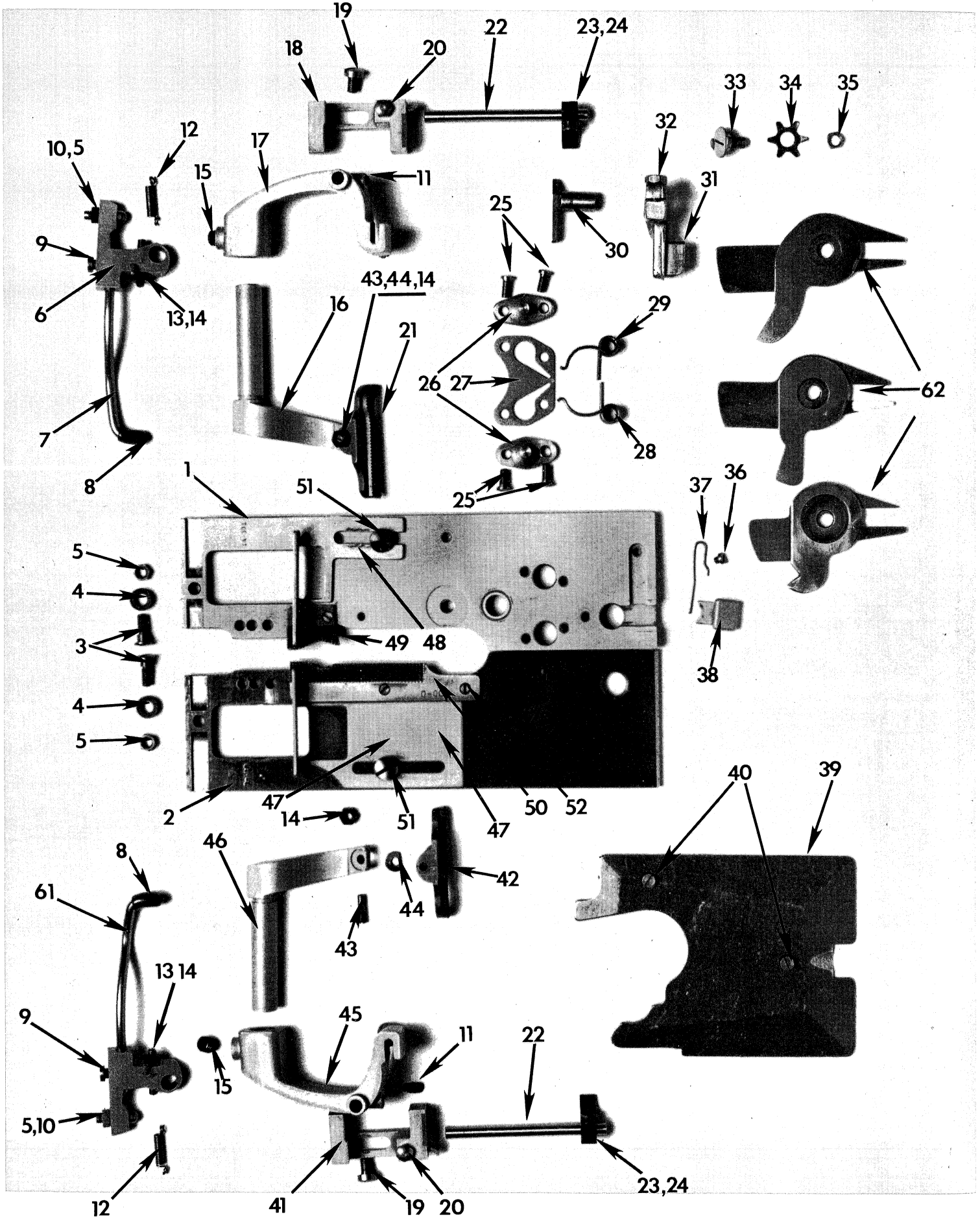


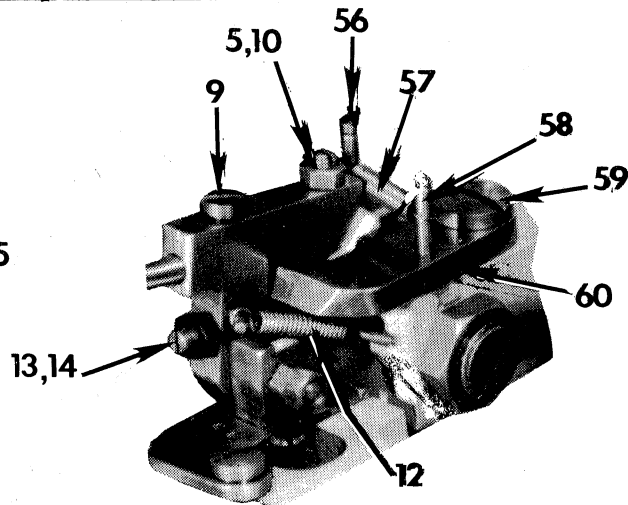
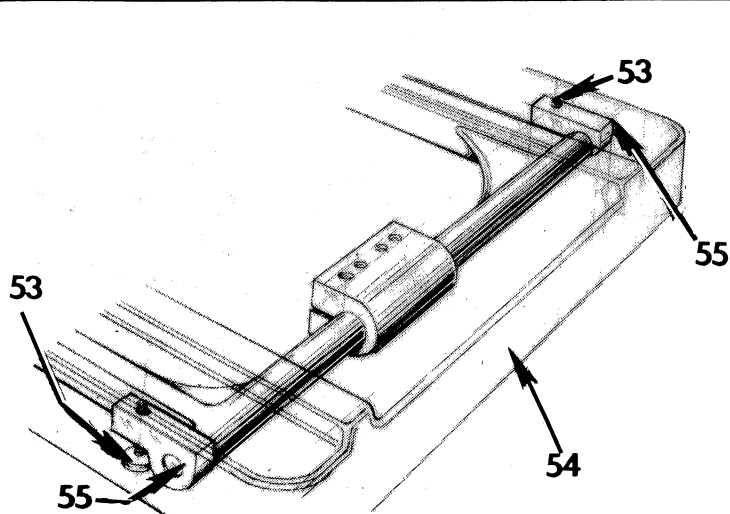
DET	PART NUMBER	DESCRIPTION
01	10-3034-0-300	Upper Lateral Lever (CT)
02	10-3019-0-300	Lower Lateral Lever (CT)
03	10-3061-0-300	Clamping Wedge (CT)
04	01-2079-0-000	Screw
05	10-3020-0-000	Stud
06	10-3200-0-000	Unclamping Wedge
07	01-2054-0-000	Screw
08	10-3205-0-000	Clevis
09	14-3216-0-011	Long Filler Piece
10	01-2347-0-000	Screw
12	10-3201-0-001	Trimmer Wedge
13	01-2050-0-000	Screw
14	10-3217-0-000	Cord Guide
15	10-3206-0-000	Actuator
16	01-2194-0-000	Set Screw
17	01-7435-1-000	Collar
18	01-2077-0-000	Screw
19	01-3005-0-000	Nut
20	01-5134-0-000	Spring
21	10-3090-0-000	Clamp
22	01-2024-0-000	Screw
23	01-7438-0-000	Split Bushing
24	10-3203-0-000	Stop
25	10-3202-0-050	Lever Asm.
26	01-3016-0-000	Nut
27	14-5019-0-000	Shaft
29	See Above	Main Cam
30	14-3216-0-000	Wedge Plate (CB)
	10-4031-0-000	Cup Disc



Additional parts, special to Cord Trim Models, are listed in the basic Illustrated Parts Section of this Manual.

Part Number	Description	Page	Det.
03-5245-0-000	Sector Lever Repl. Kit	26	12
10-1074-0-000	Pivot Stud, R.H.	27	18
10-2001-0-001	Cover, R.H.	1	36
14-2061-0-300	Stitch Take Out Wedge	9	19



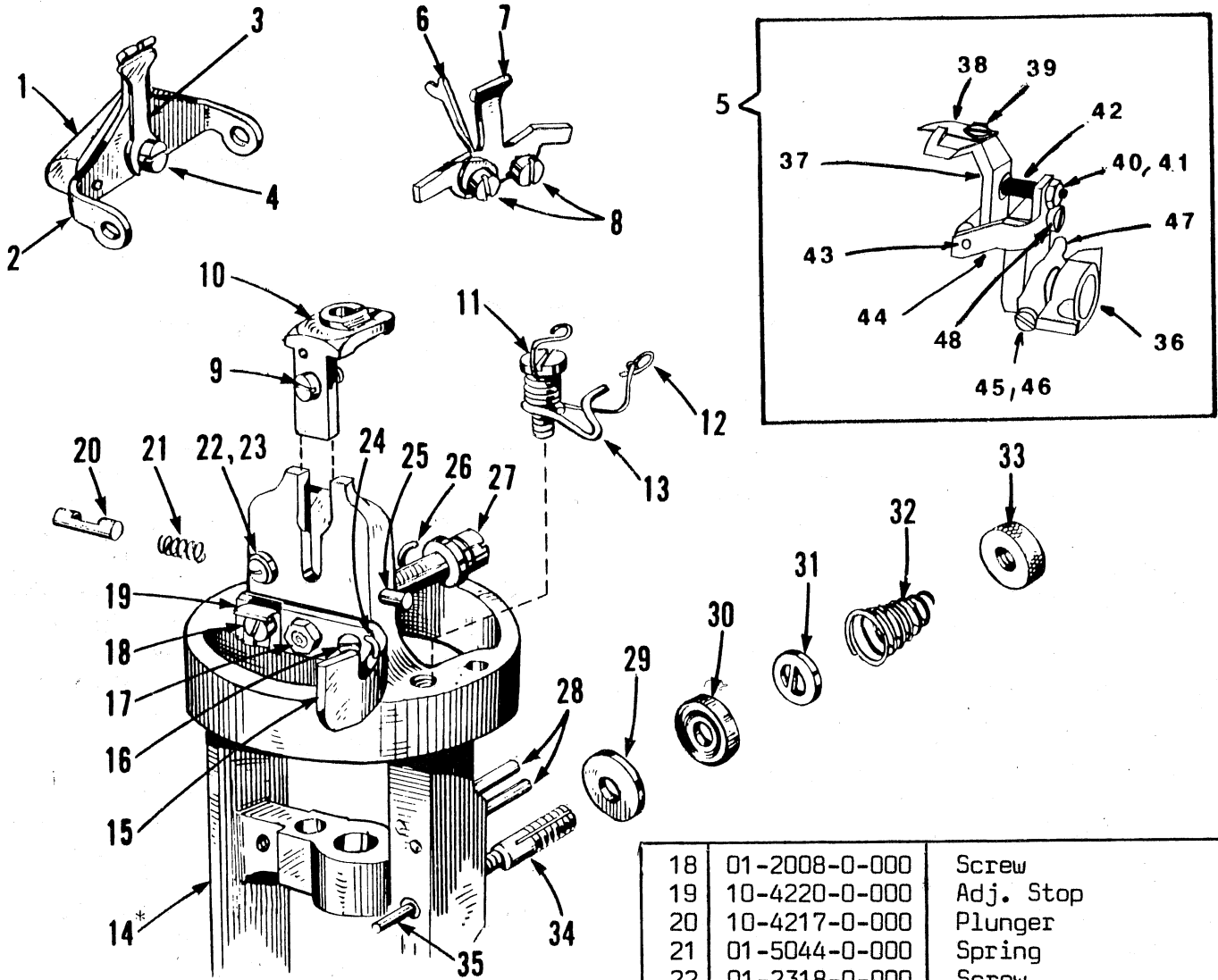


ITEM	PART NUMBER	DESCRIPTION
01	14-2043-1-301	Clamp Plate R.H.
02	14-2047-0-300	Clamp Plate, LH
03	10-2051-2-000	Screw
04	10-2052-0-000	Roll
05	01-3001-0-000	Nut
06	14-2215-0-001	Finger Holder R.H.
07	10-2212-0-001	Hold Down Finger R.H.
08	05-0360-0-000	Cap
09	01-2054-0-000	Screw
10	10-2214-0-000	Screw - Adjusting
11	01-2557-0-001	Set Screw
12	01-5037-0-000	Spring
13	01-2076-0-000	Screw - Adjusting
14	01-3016-0-000	Nut
15	01-1557-0-000	Set Screw
16	14-2003-0-000	Clamp Arm Front R.H.
17	14-2002-0-002	Clamp Arm Base R.H.
18	14-2007-0-000	Block R.H.
19	01-2051-0-000	Screw
20	10-2215-0-000	Stop Screw
21	See Chart	Clamp Foot R.H.
22	14-2053-0-000	Shaft
23	14-2212-0-000	Spread Lock
24	01-2558-0-000	Screw
25	01-2104-0-000	Screw
26	10-2218-0-000	Spring Mount
27	10-2217-0-000	Spring Retainer
28	01-5065-0-000	Spring L.H.
29	01-5064-0-000	Spring R.H.
30	10-2204-0-000	Actuator
31	10-2205-0-000	Lower Lever
32	01-2074-0-000	Screw
33	10-2208-1-000	Knife Pivot Screw
34	01-5062-0-000	Spring Washer
35	01-3021-0-000	Nut
36	01-2053-0-000	Screw
37	01-5034-0-000	Spring
38	14-2202-0-000	Latch
39	See Chart	Cover Plate
40	01-2075-0-001	Screw
41	14-2008-0-000	Clamp Block L.H.
42	See Chart	Clamp Foot L.H.

43	01-1137-0-000	Pivot Screw
44	01-4038-0-000	Spring Washer
45	14-2002-0-001	Clamp Arm Base L.H.
46	14-2004-0-000	Clamp Arm Front L.H.
47	14-2060-0-000	Cloth Gage L.H.
48	14-2059-0-300	Cloth Gage R.H.
49	See Chart	Clamp Mat R.H.
50	See Chart	Clamp Mat L.H.
51	01-2111-0-001	Screw
52	01-2015-0-000	Screw
53	01-2046-0-000	Screw
54	14-2001-0-000	Bedplate
55	10-2025-0-000	Clamp Yoke Bearing
56	01-6831-0-002	Spring Anchor
57	01-5033-0-000	Spring
58	01-6015-0-000	Spring Anchor
59	01-1031-0-000	Wedge Pivot Screw
60	10-1201-0-001	Wedge R.H.
60	10-1201-0-000	Wedge L.H. (not shown)
61	10-2212-1-000	Hold Down Finger LH
62	See Chart	Clamp Plate Knife

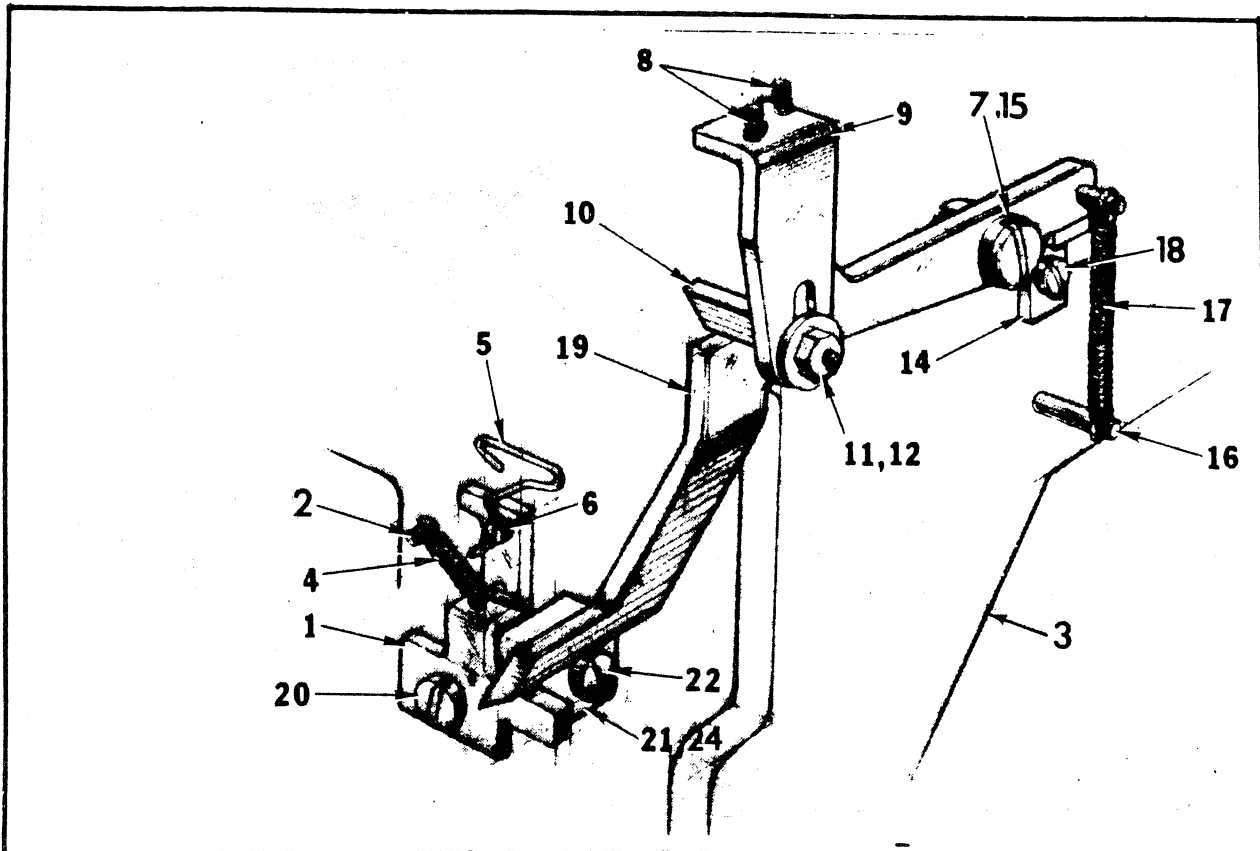
	CT MACHINES STYLES 233/234/239	CT MACHINES STYLES 235/237	CT MACHINES STYLES 236/239	SHORT TRAVEL CT MACHINE STYLES 270/280	ADJUSTABLE FLY CT STYLES 271 AND 281 BUTTON-HOLE LENGTHS 1/2" TO 7/8"	ADJUSTABLE FLY CT STYLES 271 AND 281 BUTTON-HOLE LENGTHS 7/8" TO 1 1/4"
ITEM 62 UPPER KNIFE	10-2207-1-000	10-2207-1-000	10-2207-1-000	10-2207-1-000	14-5030-1-000	14-2207-1-000
ITEM 62 LOWER KNIFE	10-2206-1-000	10-2206-1-000	10-2206-1-000	10-2206-1-000	14-5031-1-000	14-2206-1-000
ITEM 39 COVER PLATE	10-2210-0-001	10-2210-0-001	10-2210-0-001	10-2210-0-001	14-2211-0-001	14-2210-0-001
ITEM 42 LH CLAMP FOOT	10-2050-0-771	10-2050-0-772	10-2050-1-753	10-2050-0-772	10-2050-1-758	10-2050-1-752
ITEM 21 RH CLAMP FOOT	14-2046-0-016	14-2046-0-019	10-2046-1-753	14-2046-0-019	10-2046-1-753	10-2046-1-756
ITEM 50 LH CLAMP MAT	10-2048-0-014	10-2048-0-015	10-2048-0-016	10-2048-0-015	10-2048-0-001	10-2048-0-001
ITEM 49 RH CLAMP MAT	10-2044-1-014	10-2044-1-015	10-2044-1-016	10-2044-1-015	14-2044-0-028	14-2044-0-027
CLOTH DEFLECTOR NOT SHOWN	10-2907-0-000	10-2907-0-000	10-2907-0-000	10-2907-0-000	14-2930-0-000	14-2931-0-000

NOTE ALL CLOTH DEFLECTORS USE 2 SCREWS P/N 01-1683-0-001



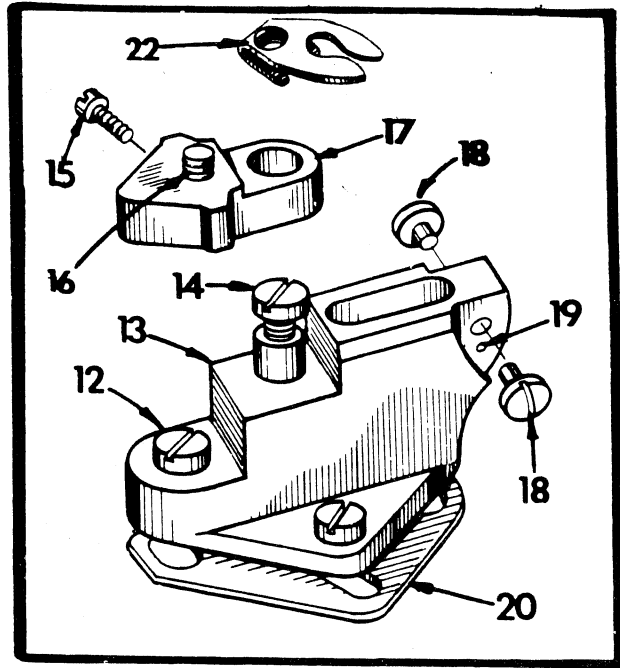
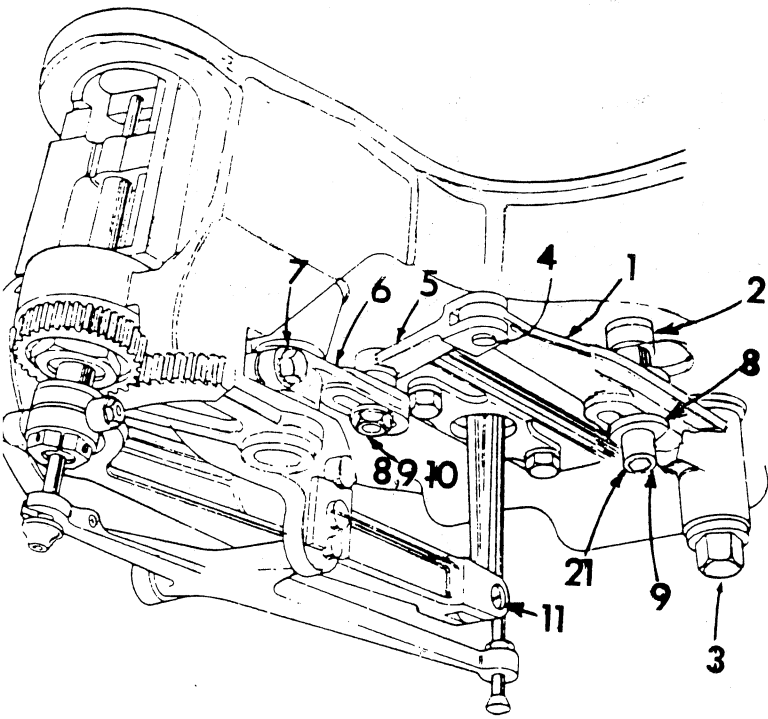
DET	PART NUMBER	DESCRIPTION
01	10-4210-0-000	Cord Weight
02	10-4208-0-000	Cord Pullback
03	10-4209-0-000	Flat Spring
04	01-2136-0-000	Screw
05	14-4202-0-850	Trimmer/Retainer Asm.
06	10-4212-0-000	Thread Guide
07	10-4010-2-000	Needle Guard
08	01-2073-0-000	Screw
09	01-2056-0-000	Screw
10	14-4012-1-013	Throat Plate, CB/CA
	14-4012-0-015	Throat Plate (Narrow Bite)
11	10-4215-0-000	Shoulder Screw
12	01-5043-0-000	Spring
13	10-4211-0-000	Stop Wire
14	14-4001-0-301	Race Sub-Asm. (AF-CT)
15	10-4200-0-000	Trimmer Cam
16	01-2075-0-001	Screw
17	01-3021-0-000	Nut

18	01-2008-0-000	Screw
19	10-4220-0-000	Adj. Stop
20	10-4217-0-000	Plunger
21	01-5044-0-000	Spring
22	01-2318-0-000	Screw
23	01-4015-0-000	Washer
24	01-6001-0-000	Anchor
25	01-6010-0-000	Pin
26	01-6002-0-000	Anchor
27	14-4201-0-000	Stud
28	01-6018-0-000	Pin
29	10-4032-0-000	Disc
30	10-4031-0-000	Cup Disc
31	10-4221-0-000	Release Washer
32	01-5059-0-000	Spring
33	10-4030-0-300	Nut
34	10-4218-0-000	Stud
35	10-4219-0-000	Release Rod
36	14-4202-0-000	Holder
37	14-1703-0-000	Retainer/Knife Holder
38	14-1197-0-000	Knife
39	01-2667-0-000	Screw
40	01-1577-0-000	Screw
41	01-3451-0-000	Nut
42	01-5664-0-000	Spring
43	01-6280-0-000	Retaining Ring
44	14-1198-0-000	Support Plate
45	01-2318-0-000	Screw
46	01-4015-0-000	Washer
47	10-4203-0-000	Retaining Ring
48	01-2365-0-000	Screw



DET	PART NUMBER	DESCRIPTION
01	13-4205-0-000	Draw-Off Lever
02	01-6013-0-000	Stop Pin
03	13-3001-0-000	Cam Case
04	01-5042-0-000	Spring
05	10-4206-0-000	Loop Puller
06	01-2081-0-000	Screw
07	01-7632-1-000	Bushing
08	01-2059-0-000	Screw
09	13-2200-1-000	Bracket
10	10-2201-2-000	Stud
11	01-3001-0-000	Nut
12	01-4011-0-000	Washer
14	13-3121-0-000	Stop
15	01-2886-0-002	Screw
16	01-6831-0-003	Anchor
17	01-5039-0-000	Spring
18	01-2241-0-001	Screw
19	13-3118-3-000	Actuator
20	01-1051-1-000	Screw
21	13-4207-1-000	Pivot Block
22	01-2144-0-000	Screw
23	01-2038-0-000	Screw
24	01-1774-0-000	Screw - Set

KNIFE HOLDER & SECTOR LEVER



CORD TRIM CUTTING STEEL FOR CA AND CB MACHINES	PART NO.
5/8" CT	10-1069-0-020
3/4" CT	10-1069-0-021
7/8" CT	10-1069-0-022

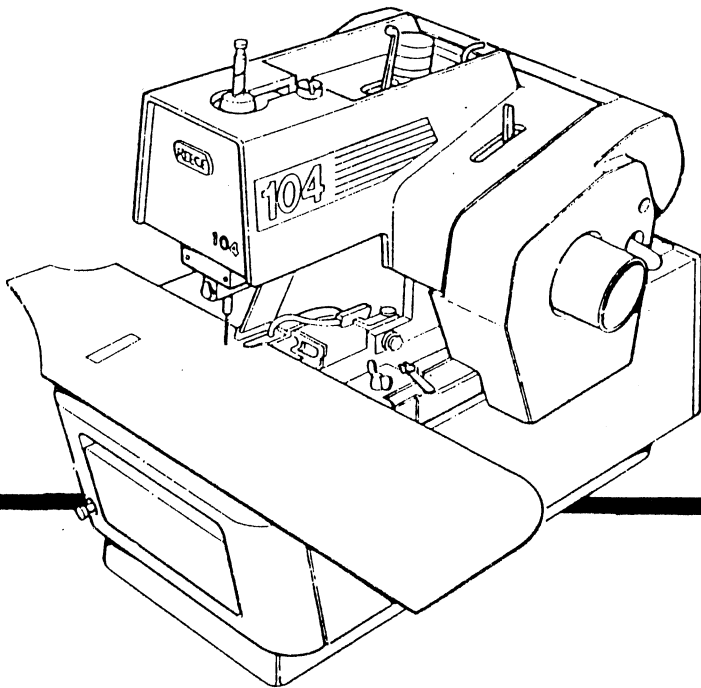
CORD TRIM KNIVES	PART NO.
A:	
CT-CA-5/8"-RE	10-3072-0-059
CT-CA-5/8"-LE	10-3072-0-067
CT-CA-3/4"-RE	10-3072-0-060
CT-CA-7/8"-RE	10-3072-0-062
B:	
CT-CB-5/8"-RE	10-3072-0-067
CT-CB-3/4"-RE	14-3072-0-175
CT-CB-7/8"-RE	14-3072-0-139

DET	PART NUMBER	DESCRIPTION
01	03-5245-0-000	Sector Lever Replacement Kit
02	10-3018-0-000	Roll (CA)
	10-3018-0-350	Roll (CB)
03	10-3016-0-000	Stud
04	10-3026-0-000	Stud
05	10-3012-0-000	Link
06	10-3011-0-000	Lever Short Sector
07	01-2016-0-000	Screw
08	01-4005-0-000	Washer
09	01-3013-0-000	Nut
10	10-3013-0-000	Stud Short Lever
11	14-3006-0-150	Looper Rocker (CA)
	14-3006-0-200	Looper Rocker (CB)
12	01-2038-0-000	Screw
13	10-3058-1-300	Knife Holder
14	01-2039-0-000	Screw
15	01-2001-0-000	Screw
16	14-3002-0-000	Stud
17	10-3067-2-253	Spreading Block
	10-3067-4-254	Spreader Block (CB)
18	01-2102-0-000	Screw
19	01-6034-0-000	Pin
20	10-3075-1-992	Shim, .016"
	10-3075-1-993	Shim, .005"
21	14-3017-0-000	Stud Sector Lever
22	14-3074-0-012	Cloth Lifter (CB)



BUTTONHOLE MACHINES

series 104



OILING
SYSTEM

ILLUSTRATED PARTS

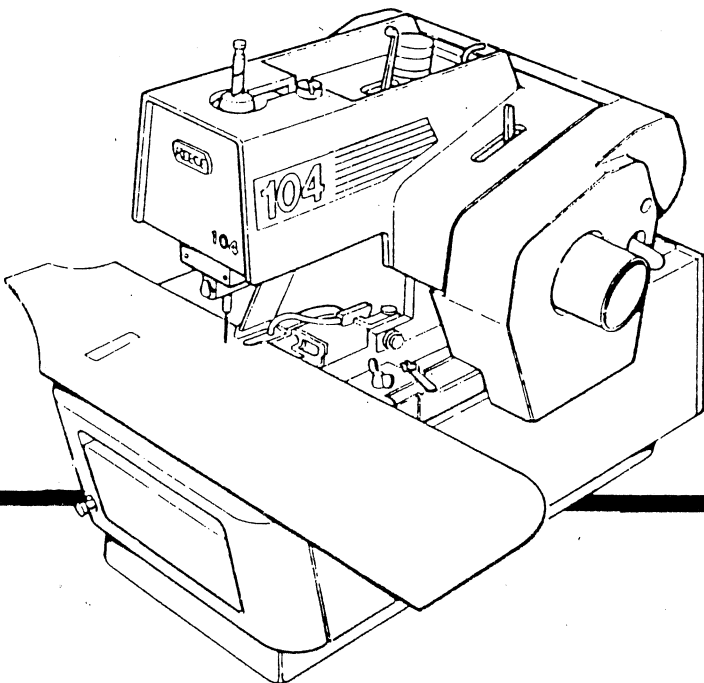




BUTTONHOLE MACHINES

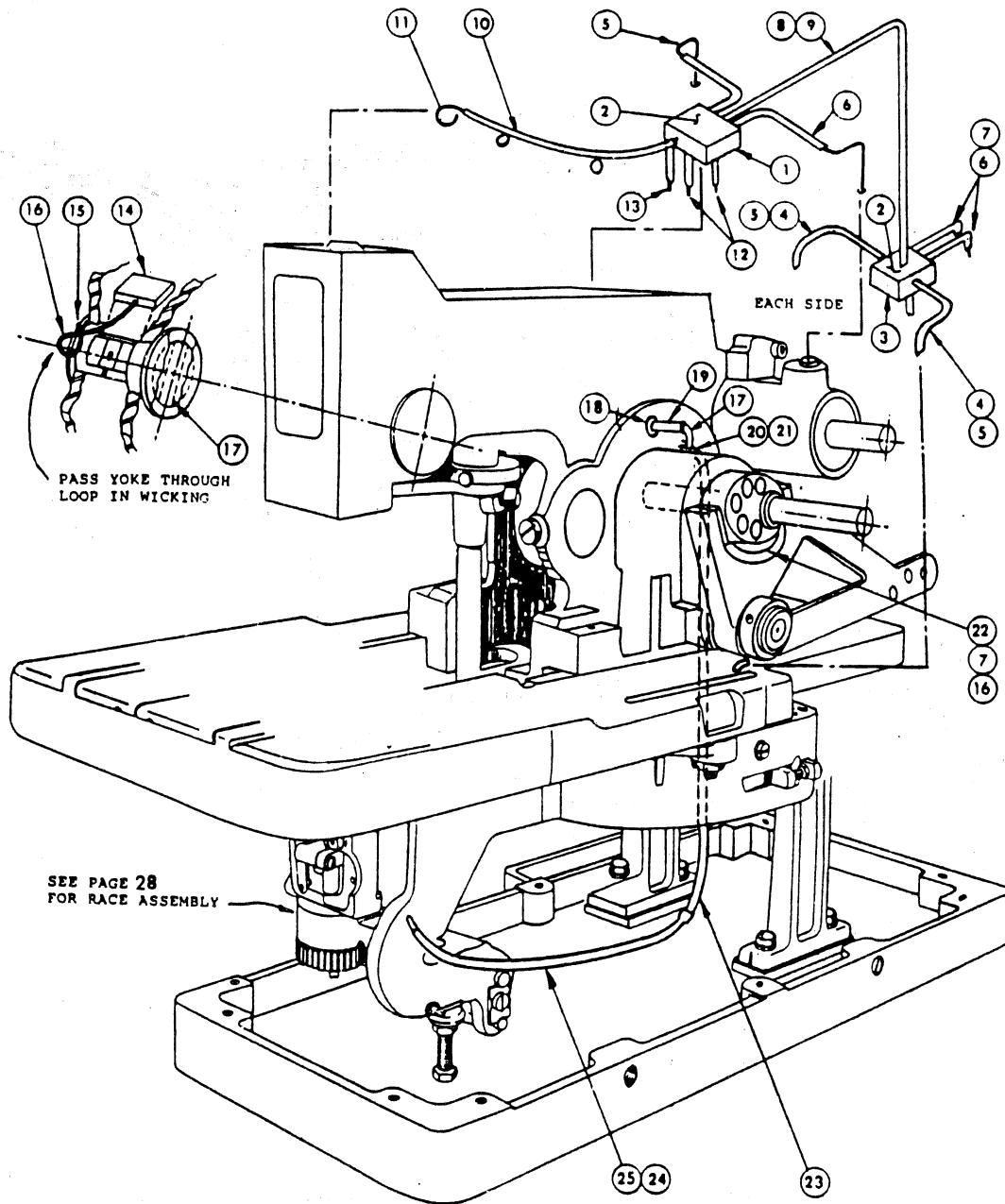
series 104

OILING
SYSTEM

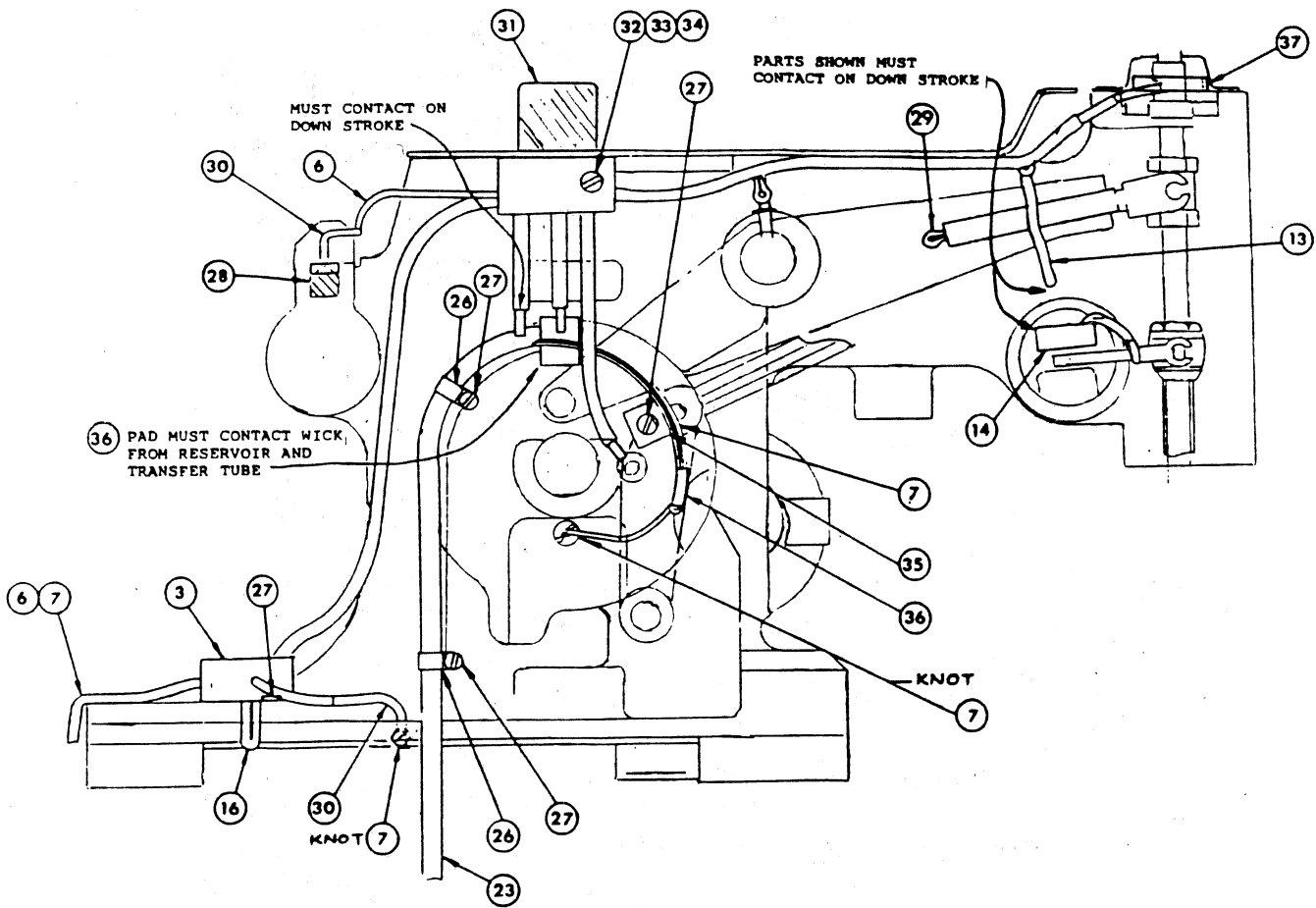


ILLUSTRATED PARTS





DET	PART NUMBER	DESCRIPTION
01	14-1020-0-100	Oil Reservoir-Upper
02	14-1003-0-000	Oil Pad (2 ea), Reservoir
03	14-1008-0-000	Oil Reservoir-Lower
04	04-2040-0-003	Tubing
05	07-0401-0-007	Wick
06	04-2040-0-005	Tubing
07	07-0401-0-009	Wick
08	07-0059-1-008	Tubing
09	04-0514-0-000	Wick (2")
10	14-1009-0-000	Tubing
11	07-0400-0-016	Wick
12	07-0400-0-005	Wick
13	07-0400-0-007	Wick
14	14-1015-0-000	Oil Pad-Vibrator Barrel
15	07-0401-0-004	Wick
16	07-0400-0-003	Wick
17	07-0400-0-004	Wick
18	14-1010-0-000	Ring Insert
19	14-1002-0-003	Oil Tube
20	05-1105-0-000	Oil Inlet
21	14-1023-0-000	Ring Insert
22	14-1029-0-000	Oil Pad-Cam Follower
23	14-1005-0-000	Oil Transfer Tube
24	07-0059-1-010	Tubing
25	07-0400-0-024	Wick



DET	PART NUMBER	DESCRIPTION
26	07-0204-0-001	Clip
27	01-2241-0-001	Screw
28	04-0514-0-000	Wick (3")
29	14-1030-0-000	Tube Asm.
30	07-0400-0-010	Wick
31	14-1018-1-000	Oil Sight Gauge
32	01-2811-0-000	Screw
33	01-3401-0-000	Nut
34	01-4029-0-000	Washer
35	14-1006-0-000	Oil Pad Retainer
36	14-1007-0-000	Oil Pad-Stitch Cam
37	14-1013-0-000	Oil Pad-Needle Bar



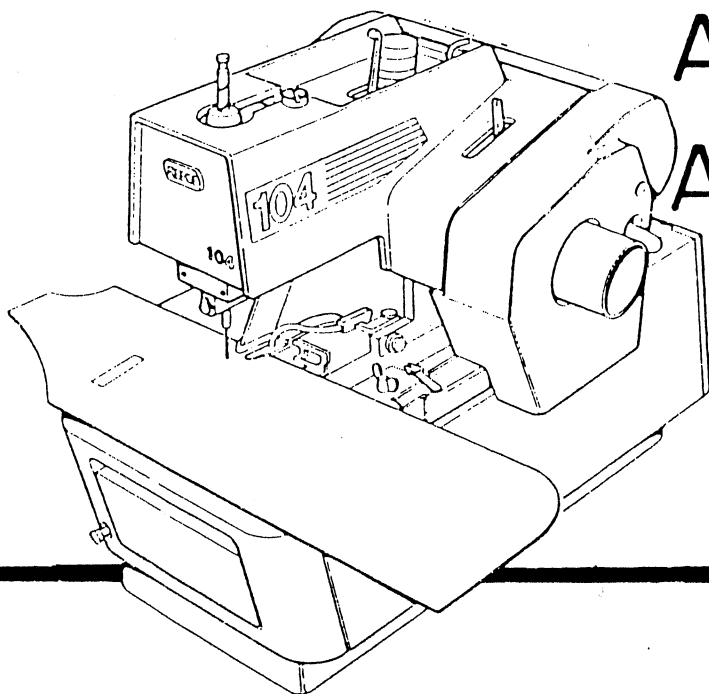
BUTTONHOLE MACHINES

series 104

MODELS

AF·CA·R·RE·CT

AF·CB·R·RE·CT



ILLUSTRATED PARTS

This section contains parts special to Adjustable Cord Trim models. All other parts are standard and should be found in the Adjustable Flybar (standard) Section of this manual.



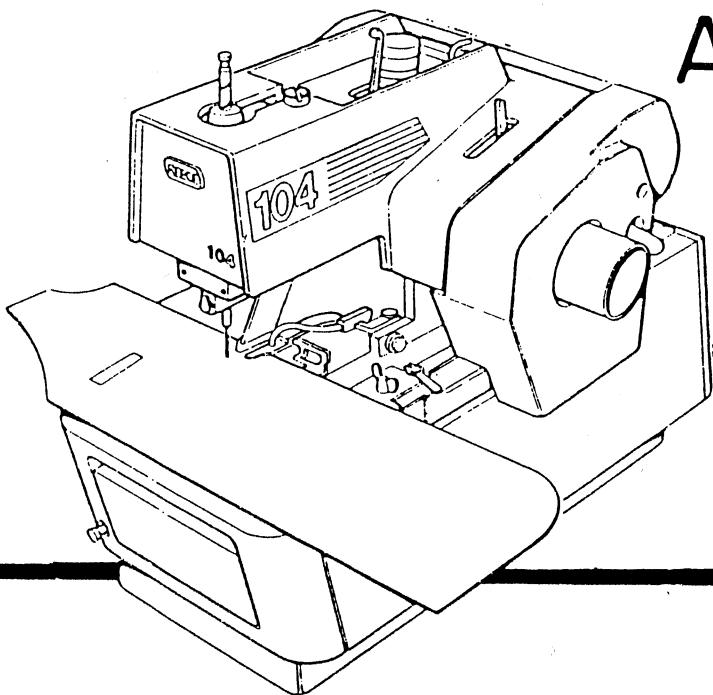


BUTTONHOLE MACHINES

series 104

MODEL

AF·CA·XL·LE



ILLUSTRATED PARTS

This section contains parts special to the Long Travel Large Eye model. All other parts are standard and should be found in the Adjustable Flybar (standard) Section of this manual.





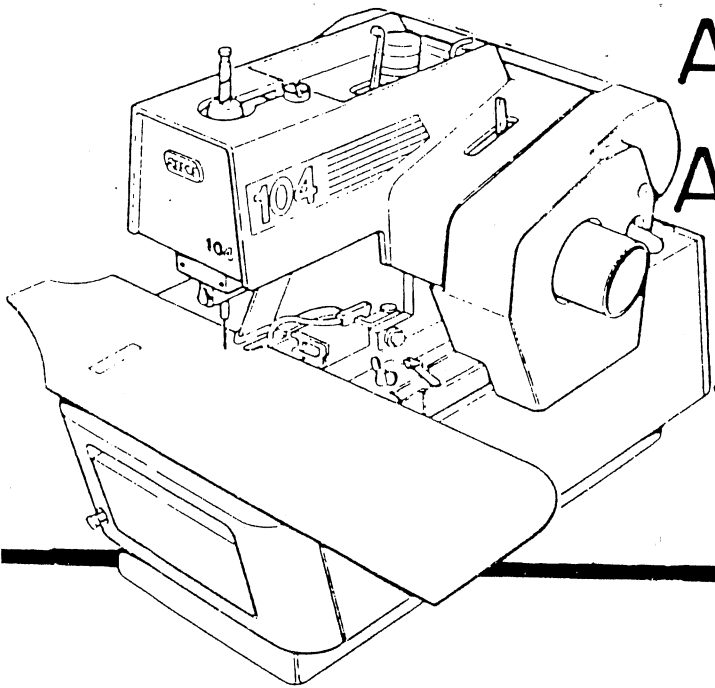
BUTTONHOLE MACHINES

series 104

MODELS

AF·CA·R·RE·CT

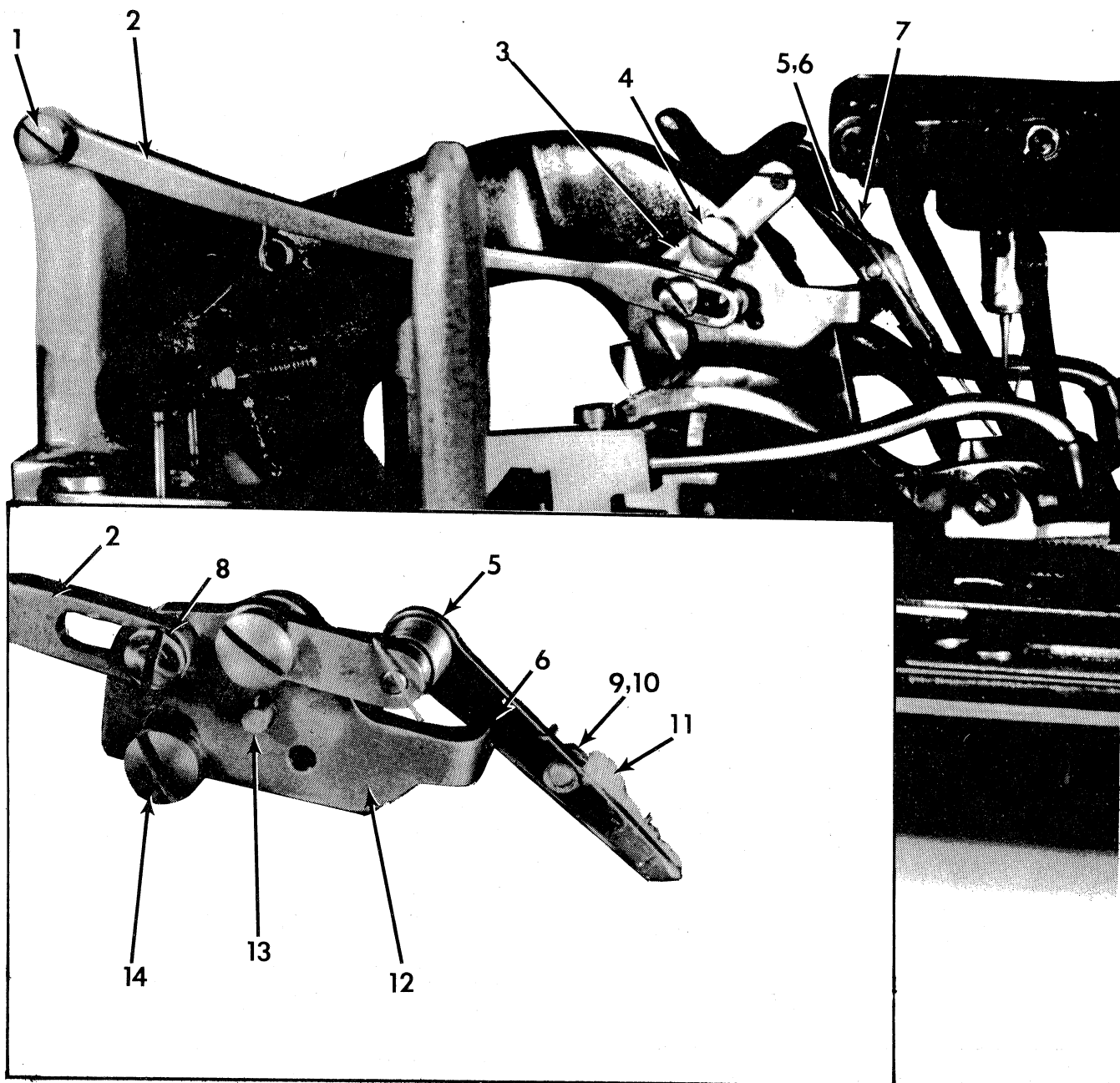
AF·CB·R·RE·CT



ILLUSTRATED PARTS

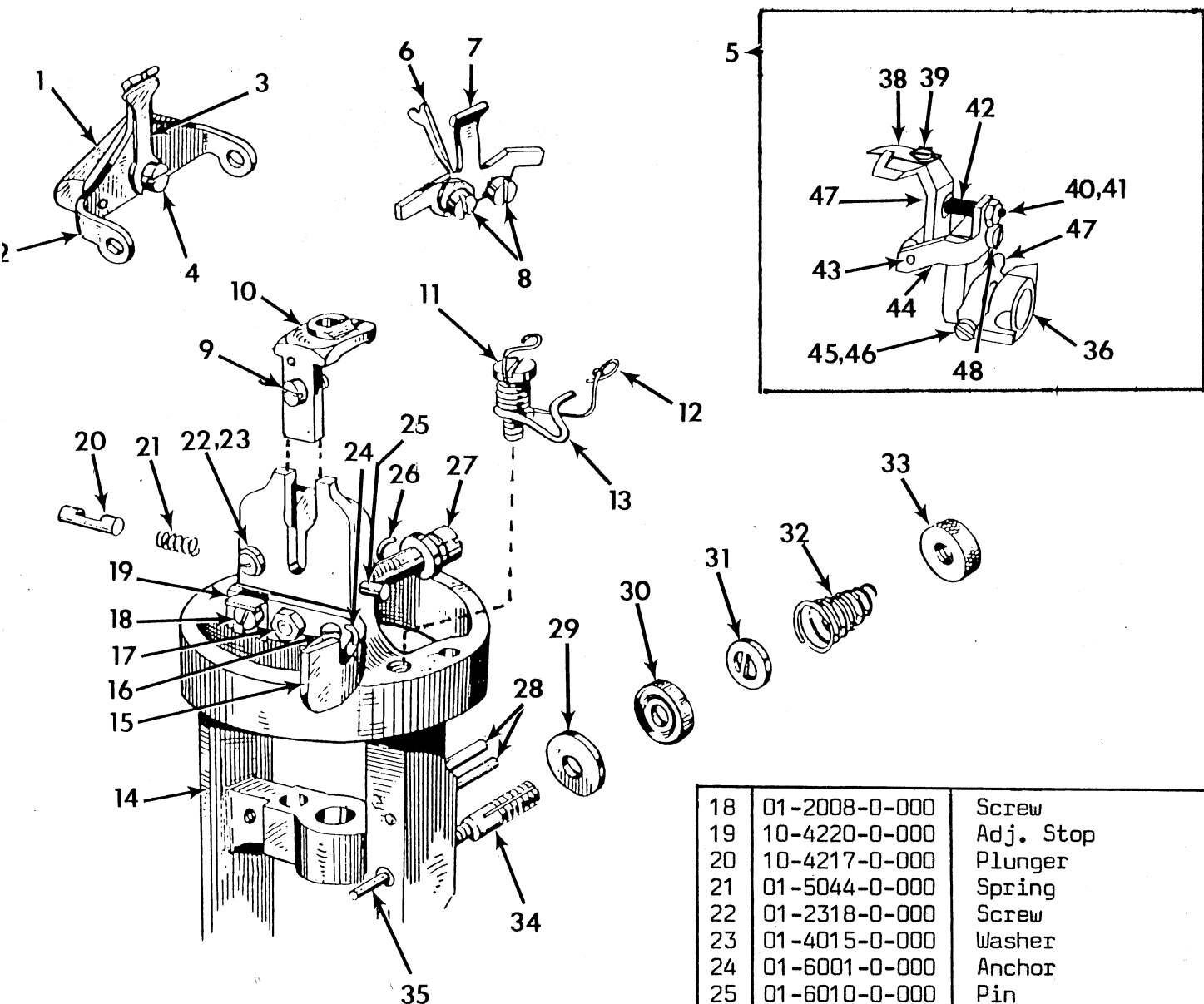
This section contains parts special to Adjustable Cord Trim models. All other parts are standard and should be found in the Adjustable Flybar (standard) Section of this manual.





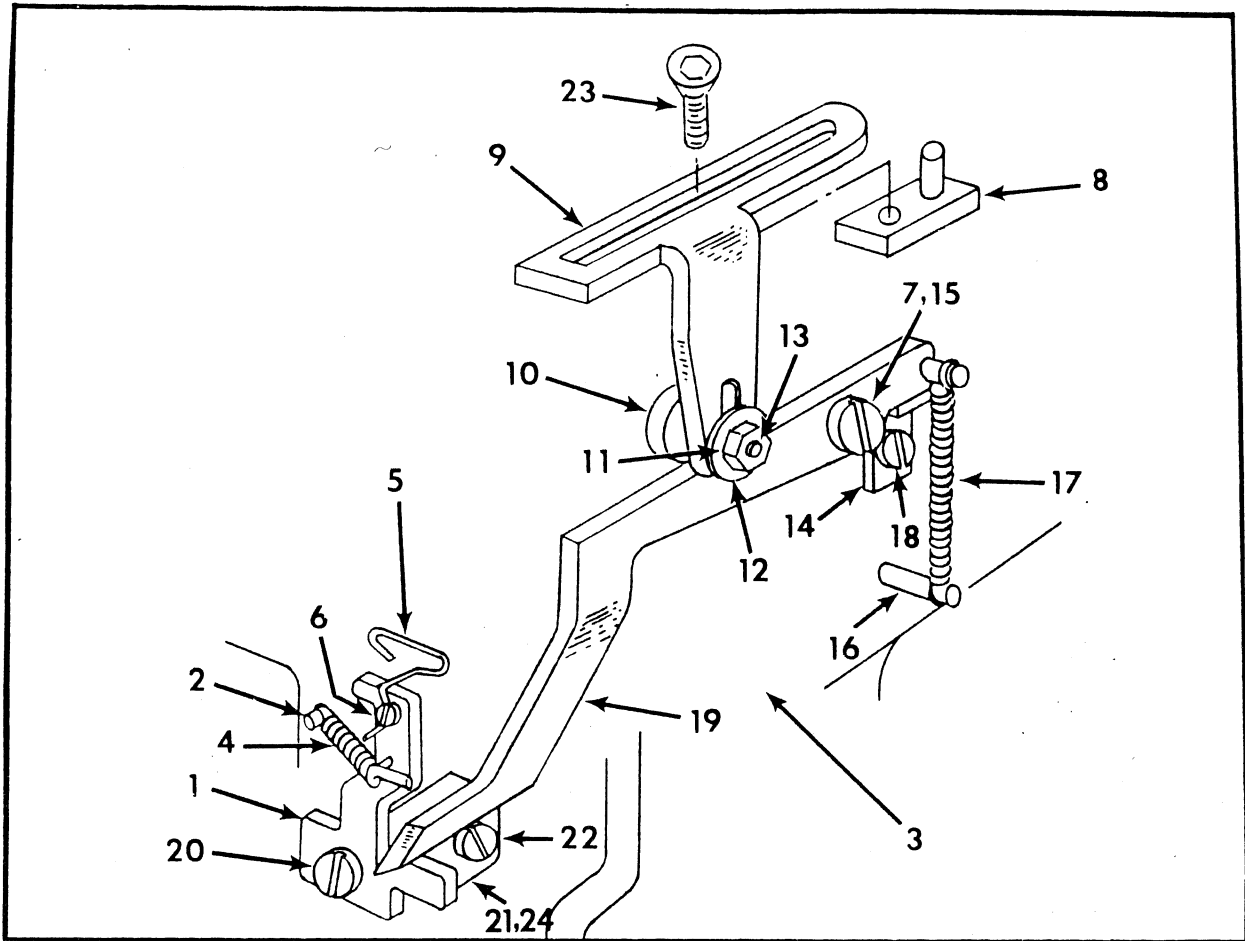
See Pages 38 and 39 for additional clamping details.

DET	PART NUMBER	DESCRIPTION
01	10-1214-0-000	Screw
02	14-1205-0-000	Link, Upper Thd. Pick-up
03	10-1206-0-000	Link
04	10-1210-1-000	Pivot Screw
05	10-1208-0-000	Screw
06	01-5045-1-000	Spring
07	14-1207-0-000	Pickup Hook
08	10-1209-0-000	Screw
09	01-2053-0-000	Screw
10	10-1211-0-000	Felt Retainer
11	10-1213-0-000	Felt
12	14-1204-0-000	Adj. Plate
13	01-6009-0-000	Pivot Pin
14	01-2006-0-000	Adj. Screw



DET	PART NUMBER	DESCRIPTION
01	10-4210-0-000	Cord Weight
02	10-4208-0-000	Cord Pullback
03	10-4209-0-000	Flat Spring
04	01-2136-0-000	Screw
05	14-4202-0-850	Trimmer/Retainer Asm.
06	10-4212-0-000	Thread Guide
07	10-4010-2-000	Needle Guard
08	01-2073-0-000	Screw
09	01-2056-0-000	Screw
10	14-4012-1-013	Throat Plate
	14-4012-0-015	Throat Plate- Narrow Bite
11	10-4215-0-000	Shoulder Screw
12	01-5043-0-000	Spring
13	10-4211-0-000	Stop Wire
14	14-4001-0-301	Race Sub.Asm. (AF-CT)
15	10-4200-0-000	Trimmer Cam
16	01-2075-0-001	Screw
17	01-3021-0-000	Nut

18	01-2008-0-000	Screw
19	10-4220-0-000	Adj. Stop
20	10-4217-0-000	Plunger
21	01-5044-0-000	Spring
22	01-2318-0-000	Screw
23	01-4015-0-000	Washer
24	01-6001-0-000	Anchor
25	01-6010-0-000	Pin
26	01-6002-0-000	Anchor
27	14-4201-0-000	Stud
28	01-6018-0-000	Pin
29	10-4032-0-000	Disc
30	10-4031-0-000	Cup Disc
31	10-4221-0-000	Release Washer
32	01-5059-0-000	Spring
33	10-4030-0-300	Nut
34	10-4218-0-000	Stud
35	10-4219-0-000	Release Rod
36	14-4202-0-000	Holder
37	14-1703-0-000	Retainer/Knife Holder
38	14-1197-0-000	Knife
39	01-2667-0-000	Screw
40	01-1577-0-000	Screw
41	01-3451-0-000	Nut
42	01-5664-0-000	Spring
43	01-6280-0-000	Retaining Ring
44	14-1198-0-000	Support Plate
45	01-2318-0-000	Screw
46	01-4015-0-000	Washer
47	10-4203-0-000	Retaining Ring
48	01-2365-0-000	Screw



DET	PART NUMBER	DESCRIPTION
01	13-4205-0-000	Draw-Off Lever
02	01-6013-0-000	Stop Pin
03	13-3001-0-000	Cam Case
04	01-5042-0-000	Spring
05	10-4206-0-000	Loop Puller
06	01-2081-0-000	Screw
07	01-7632-1-000	Bushing
08	14-5014-0-000	Slide Block
09	14-5013-1-000	Bracket
10	01-7058-0-000	Roll
11	01-3001-0-000	Nut
12	01-4011-0-000	Washer
13	01-1567-0-000	Screw
14	13-3121-0-000	Stop
15	01-2886-0-002	Screw
16	01-6831-0-003	Anchor
17	01-5039-0-000	Spring
18	01-2241-0-001	Screw
19	13-3118-3-000	Actuator
20	01-1051-1-000	Screw
21	13-4207-1-000	Pivot Block
22	01-2144-0-000	Screw
23	01-2583-0-000	Screw
24	01-1774-0-000	Screw Set



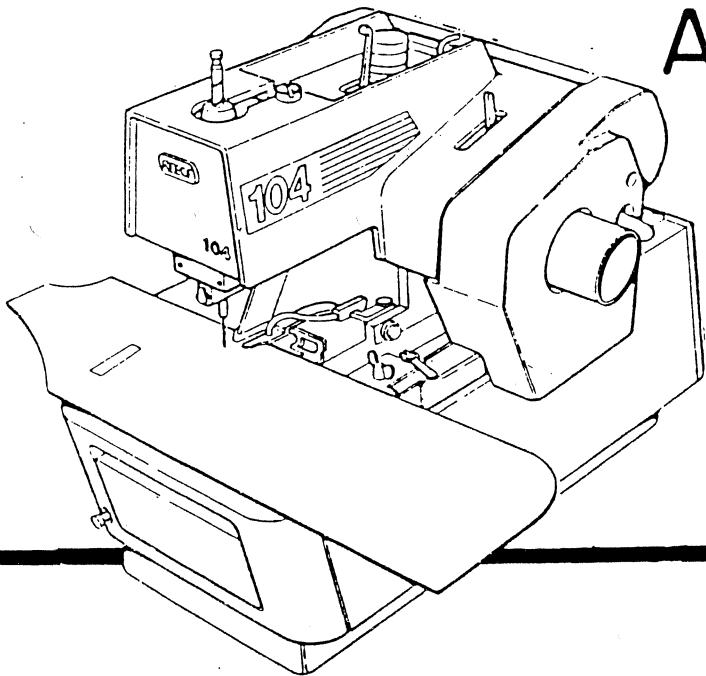


BUTTONHOLE MACHINES

series 104

MODEL

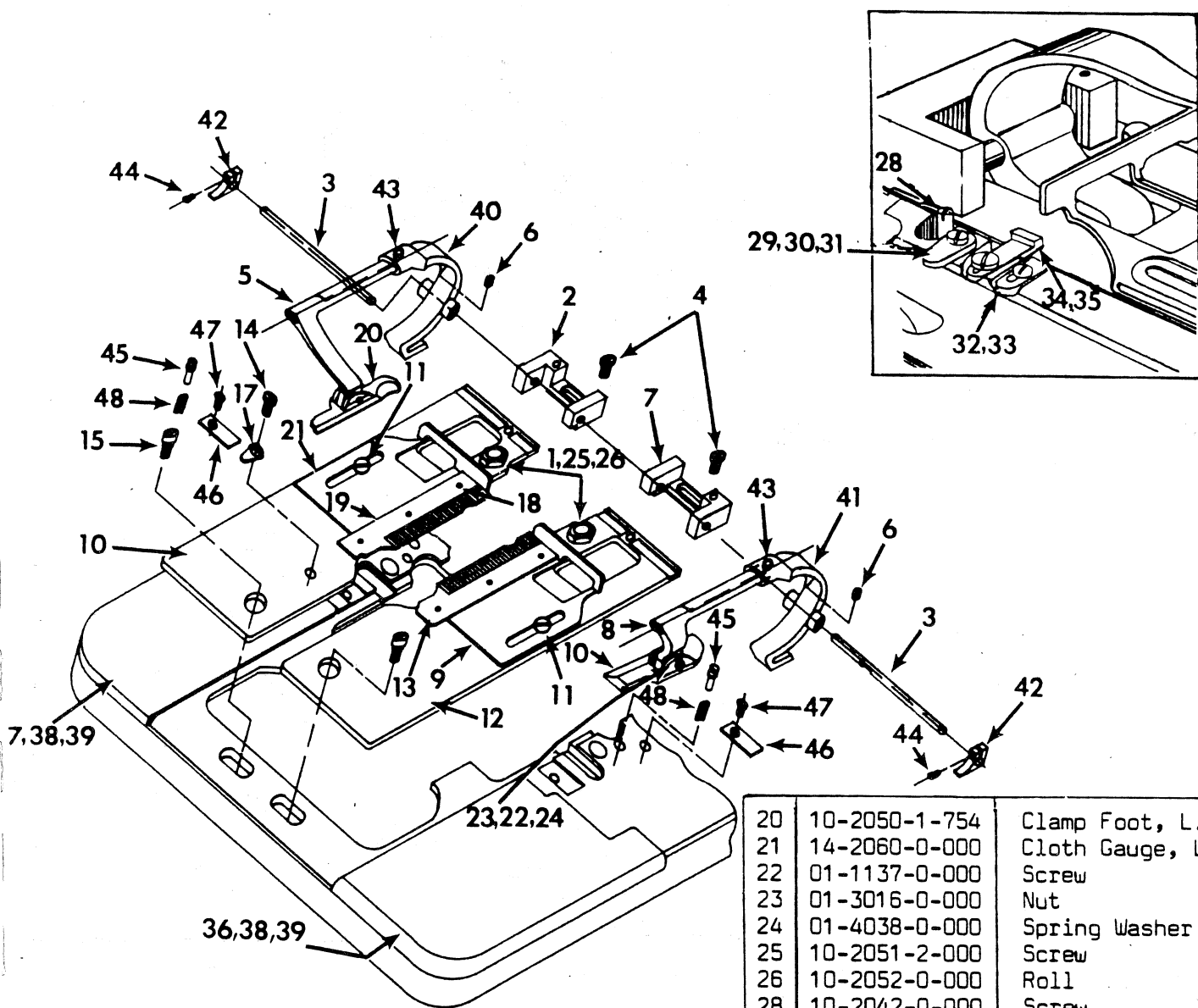
AF·CA·XL·LE



ILLUSTRATED PARTS

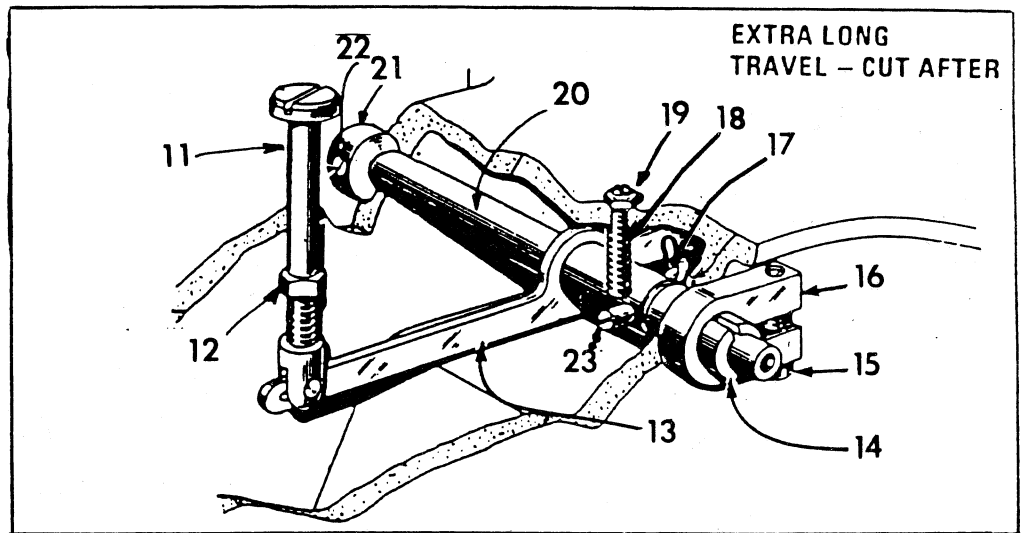
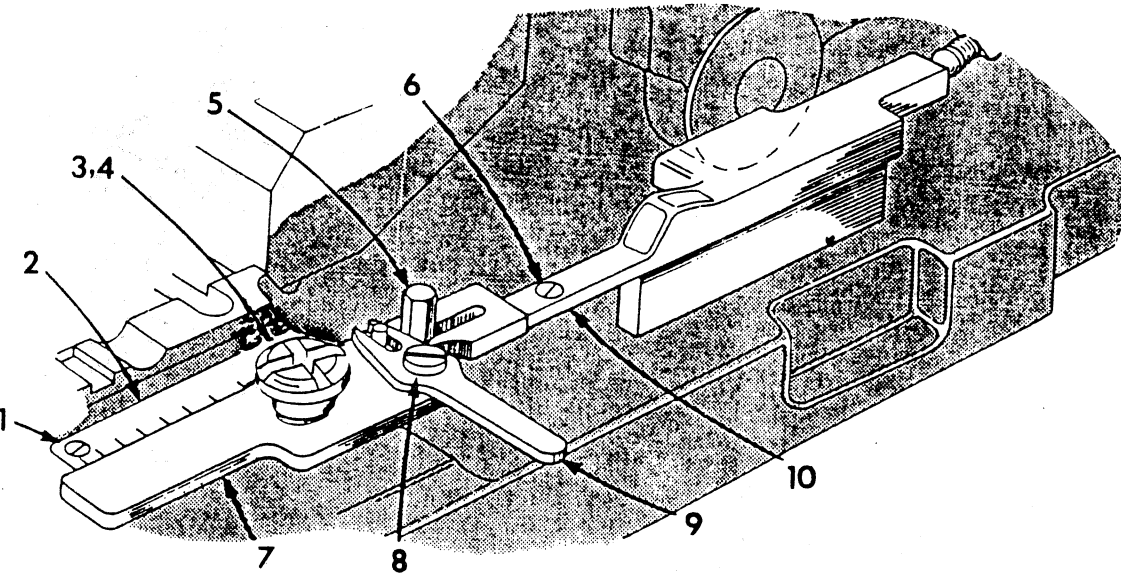
This section contains parts special to the Long Travel Large Eye model. All other parts are standard and should be found in the Adjustable Flybar (standard) Section of this manual.



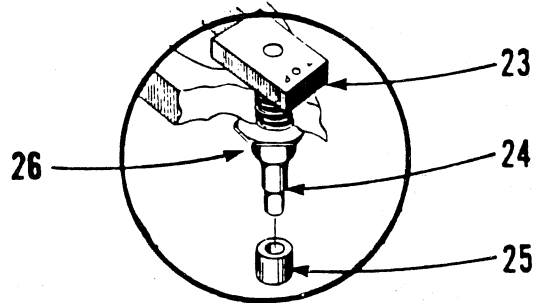
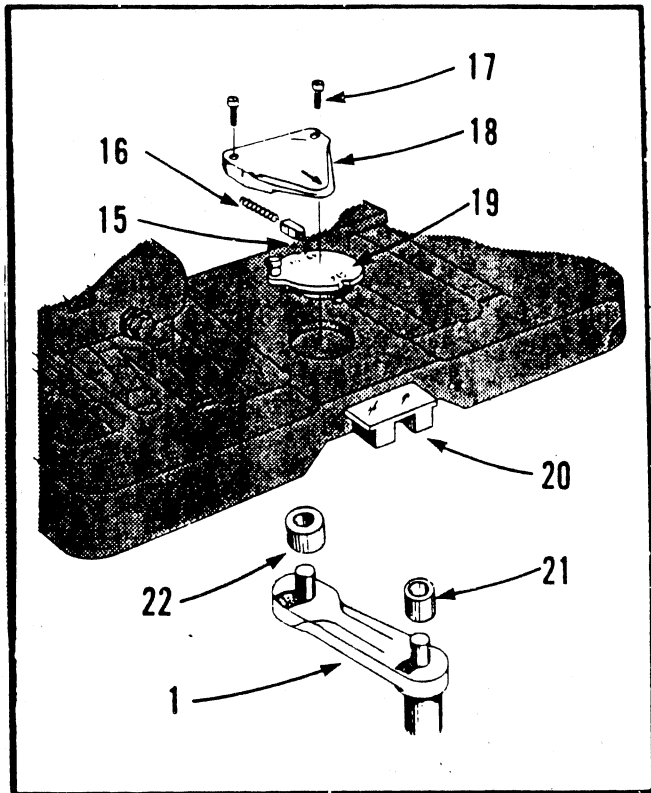
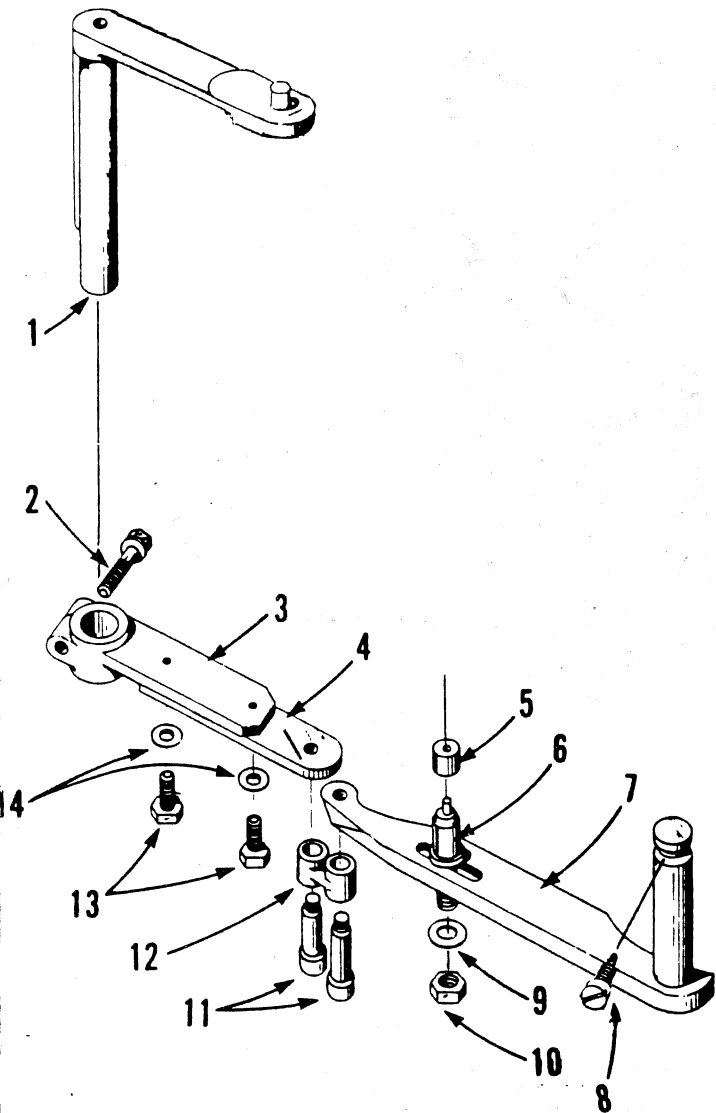


DET	PART NUMBER	DESCRIPTION
01	01-3001-0-000	Nut
02	14-2008-0-000	Left Block
03	14-2053-0-000	Shaft
04	01-2051-0-000	Screw
05	14-2004-0-000	Clamp Arm, Front LH
06	01-2557-0-001	Screw
07	14-2007-0-000	Block, R.H.
08	14-2003-0-000	Clamp Arm, Front RH
09	14-2059-0-000	Cloth Gauge, R.H.
10	10-2046-1-755	Clamp Foot, R.H.
11	01-2111-0-001	Screw
12	14-2043-0-017	Clamp Plate, R.H.
13	10-2044-0-020	Clamp Mat, R.H.
14	01-2053-0-000	Screw
15	01-1020-1-000	Screw
16	14-2047-0-017	Clamp Plate, L.H.
17	10-2054-0-000	Clip
18	01-2015-0-000	Screw
19	10-2048-0-019	Clamp Mat, L.H.

20	10-2050-1-754	Clamp Foot, L.H.
21	14-2060-0-000	Cloth Gauge, L.H.
22	01-1137-0-000	Screw
23	01-3016-0-000	Nut
24	01-4038-0-000	Spring Washer
25	10-2051-2-000	Screw
26	10-2052-0-000	Roll
28	10-2042-0-000	Screw
29	10-2030-1-000	Screw
30	10-2029-0-000	Latch
31	01-5022-0-000	Spring
32	10-2032-0-000	Stop
33	01-2312-0-000	Screw
34	10-2031-0-000	Slide
35	01-2247-0-002	Screw
36	10-2001-0-001	Cover, R.H.
	10-2001-0-003	Cover, R.H.
37	10-2001-0-002	Cover, L.H.
38	05-1131-0-000	Adhesive
39	05-1132-0-000	Activator
40	14-2002-0-001	Clamp Arm Base LH
41	14-2002-0-002	Clamp Arm Base RH
42	14-2212-0-000	Spread Lock
43	01-1557-0-000	Screw
44	01-2558-0-000	Screw
45	14-2213-0-000	Locking Pin
46	14-2214-0-000	Retaining Plate
47	01-2729-0-000	Screw
48	01-5457-0-000	Spring

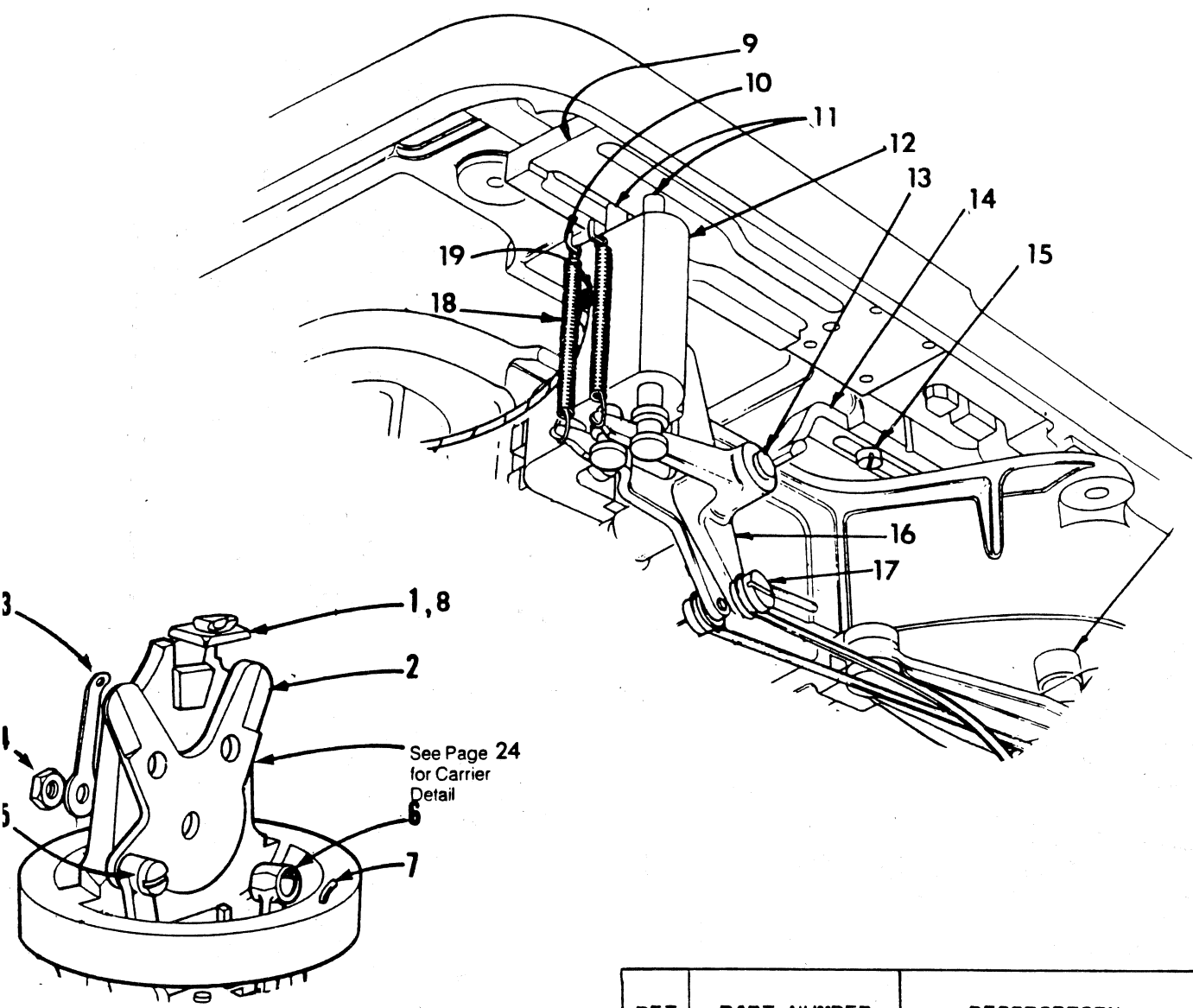


ET.	PART NUMBER	DESCRIPTION
01	01-2075-0-001	Screw
02	10-2261-0-032	Length Gauge
03	14-2254-0-000	Adjustment Knob
04	01-4006-0-000	Washer
05	10-2250-1-000	Nut
06	01-2084-0-000	Screw
07	10-2251-1-017	Length Plate
08	10-2252-0-000	Screw
09	10-2253-0-000	Tack Lever
10	See Page 6	Length Guide
11	10-3206-0-000	Actuator
12	01-3016-0-000	Nut
13	10-3202-0-050	Lever Asm.
14	01-7438-0-000	Bushing
15	01-2024-0-000	Screw
16	10-3090-0-000	Clamp
17	01-5038-0-000	Spring
18	01-2077-0-000	Screw
19	01-3005-0-000	Nut
20	10-3084-0-000	Shaft
21	01-7435-0-000	Collar
22	01-2194-0-000	Screw
23	10-3203-0-000	Stop

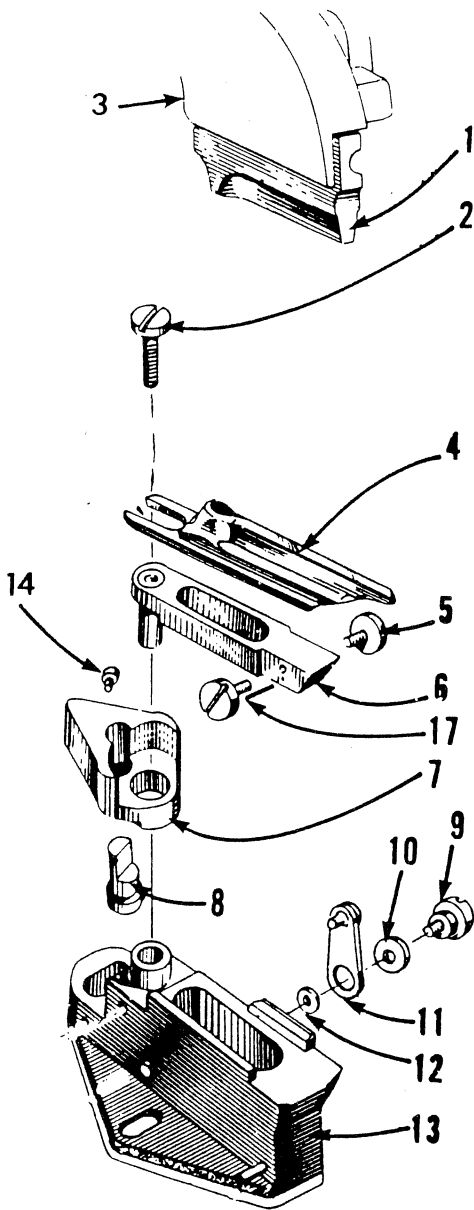


DET	PART NUMBER	DESCRIPTION
01	10-3034-0-258	Upper Lateral Lever
02	01-2016-0-000	Screw
03	10-3019-1-006	Lower Lateral Lever
04	10-3300-0-006	Lever Extension
05	01-7004-0-000	Roll
06	10-3020-0-006	Stud (AF)
07	10-3303-0-000	Combination Lever
08	01-2324-0-000	Screw
09	01-4005-0-000	Washer
10	01-3013-0-000	Nut

11	10-3301-1-006	Screw
12	10-3302-0-000	Link
13	01-2085-0-000	Screw
14	01-4006-0-000	Washer
15	10-2259-0-000	Plunger
16	01-5172-0-000	Spring
17	01-2392-0-000	Screw
18	10-2258-0-000	Cover
19	10-2257-0-000	Shifter
20	10-2260-0-167	Guide Plate
21	01-7023-0-000	Roll
22	01-7043-0-000	Roll
23	10-3033-0-017	Block
24	10-2006-0-017	Bedplate Stud
25	01-7023-0-000	Roll
26	10-2058-0-000	Clip



DET	PART NUMBER	DESCRIPTION
01	10-4012-0-020	Throat Plate
	10-4012-0-021	Throat Plate (Wide Bite)
02	14-4011-0-150	Spreader Wedge
03	10-4035-0-000	Cord Guide
04	01-3021-0-000	Nut
05	10-4017-0-000	Screw
06	01-7022-0-000	Bushing
07	01-6002-0-000	Pin
08	01-2056-0-000	Screw
09	10-2255-2-167	Flybar Cam Plate
10	01-6006-0-000	Pin
11	10-3252-1-000	Pin
12	14-3251-0-000	Bracket
13	01-1447-0-000	Stud
14	10-2256-0-000	Bracket
15	01-2043-0-000	Screw
16	10-3254-0-000	Pin Actuator RH
17	01-1432-0-000	Screw
18	01-5054-0-000	Spring
19	07-0400-0-003	Wick



DET	PART NUMBER	DESCRIPTION
01	10-1069-0-052	1" Cutting Steel
	10-1069-0-054	1-1/4" Cutting Steel
	10-1069-0-060	2" Cutting Steel
	10-1069-0-072	2" N.E. Cutting Steel
02	01-2039-0-000	Screw
03	10-1154-0-050	Cutting Lever Asm.
04	10-3072-0-014	Knife - L.E.
	10-3072-0-015	Knife - N.C.
05	01-2012-0-000	Screw
06	10-3071-0-017	Knife Pad
07	10-3067-4-167	Spreading Block
08	10-3218-0-000	Stud
09	01-1130-0-000	Screw
10	01-4003-0-000	Washer
11	01-5173-0-000	Spring
12	01-4029-0-000	Washer
13	10-3070-0-017	Knife Holder
14	01-2001-0-000	Screw



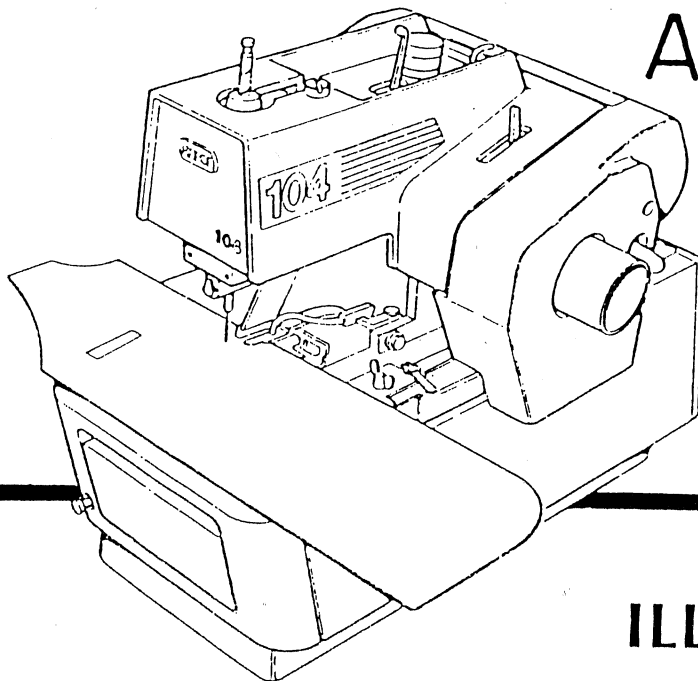


BUTTONHOLE MACHINES

series 104

MODEL

AF·CA·ST·RE·CT
AF·CB·ST·RE·CT



ILLUSTRATED PARTS

This section contains parts special to Short Travel models. All other parts are standard and should be found in the Adjustable Cord Trim and Adjustable Flybar (standard) Sections of this manual.



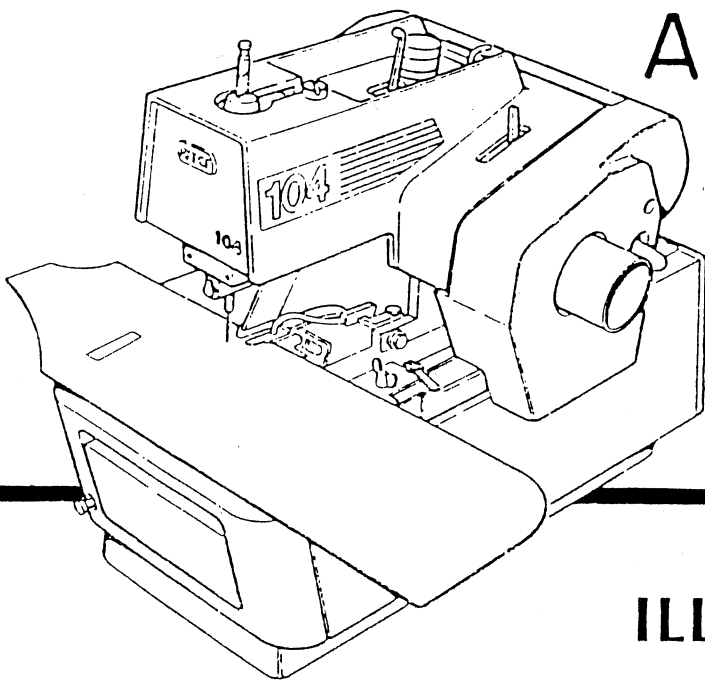


BUTTONHOLE MACHINES

series 104

MODEL

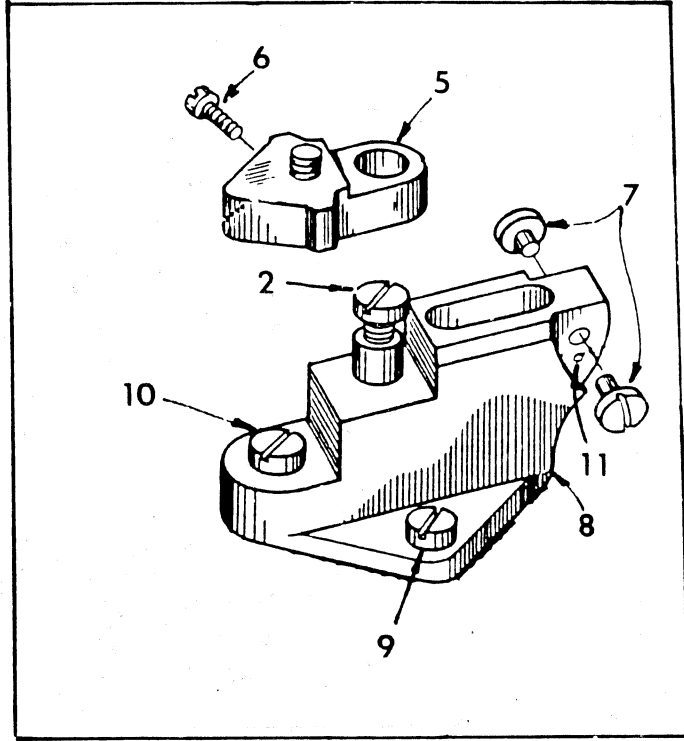
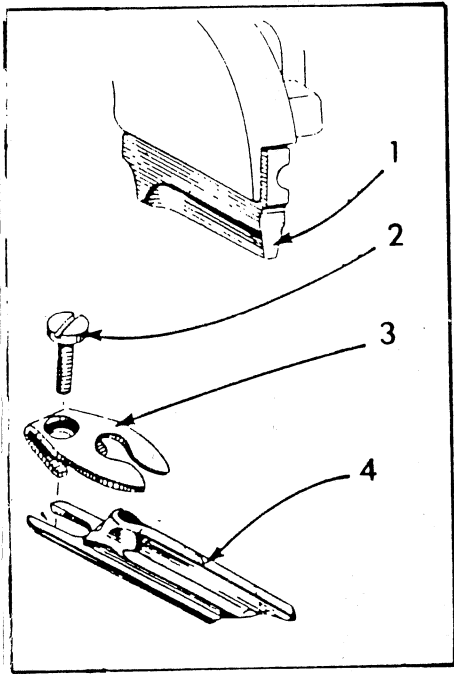
AF·CA·ST·RE·CT
AF·CB·ST·RE·CT



ILLUSTRATED PARTS

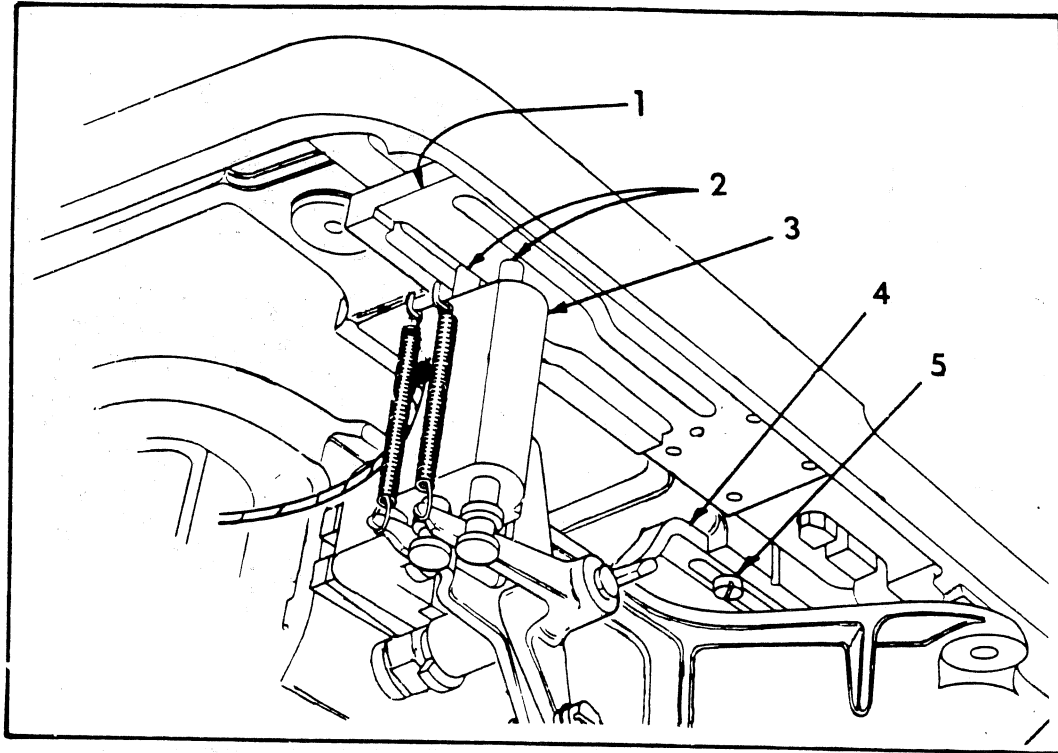
This section contains parts special to Short Travel models. All other parts are standard and should be found in the Adjustable Cord Trim and Adjustable Flybar (standard) Sections of this manual.



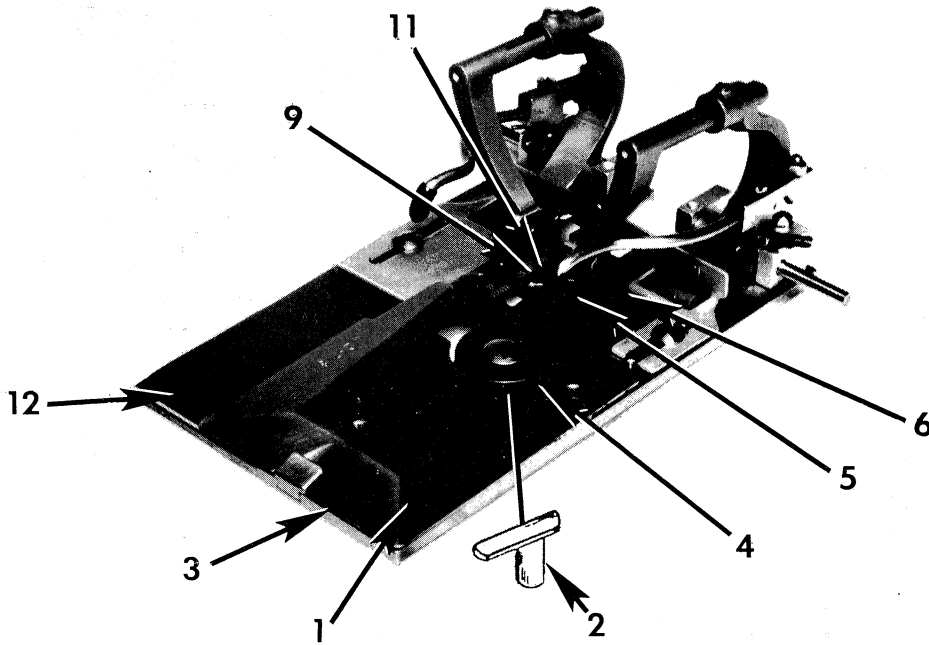


DET	PART NUMBER	DESCRIPTION
01	See Chart	Cutting Steel
02	01-2039-0-000	Screw
03	10-3074-0-011	Cloth Lifter (CB only)
04	14-3072-0-175	Knife - Cut Before
	14-3072-0-170	Knife - Cut After
05	10-3067-4-254	Spreading Block-CB
	10-3067-2-253	Spreading Block-CA
06	01-2001-0-000	Screw
07	01-2102-0-000	Screw
08	10-3058-1-300	Knife Holder
09	01-2039-0-000	Screw
10	01-2038-0-000	Screw
11	01-6034-0-000	Pin

Buttonhole Size	Part Number
1/2"	14-1069-0-001
5/8"	14-1069-0-002
3/4"	14-1069-0-003
7/8"	14-1069-0-004



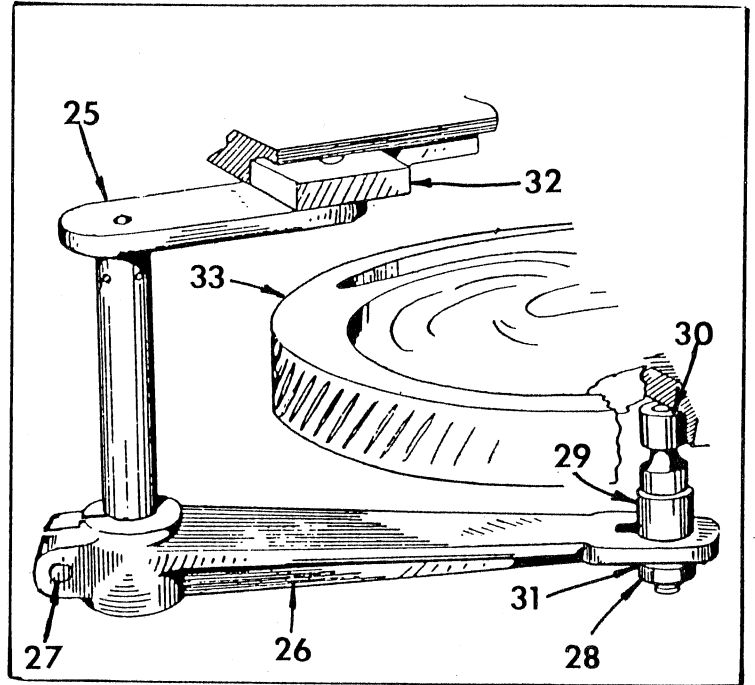
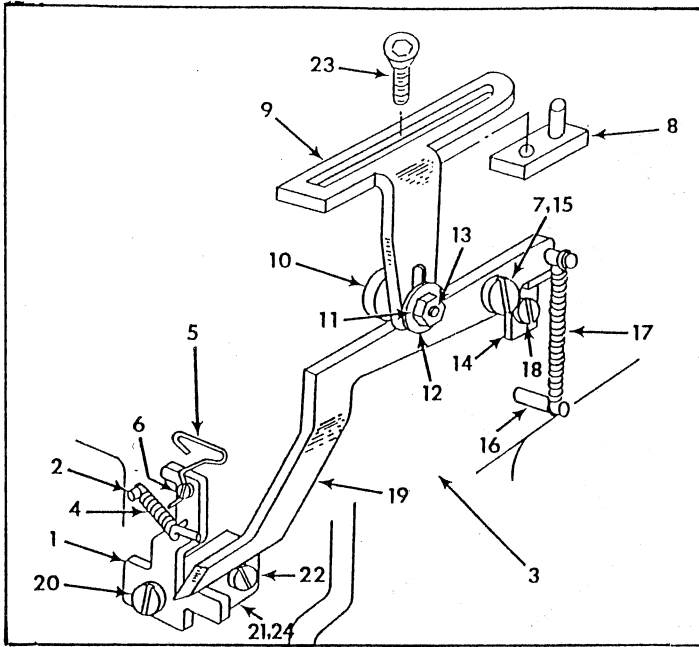
DET	PART NUMBER	DESCRIPTION
01	10-2255-2-150	Flybar Cam Plate
02	10-3252-1-000	Flybar Pins
03	14-3251-0-000	Bracket
04	14-2256-0-000	Bracket
05	01-2043-0-000	Screw



Details 13 and 14 not shown in picture

DET	PART NUMBER	DESCRIPTION
01	10-2210-0-001	Cover Plate
02	10-2204-0-000	Actuator
03	14-2043-1-301	Clamp Plate - RH
04	03-5238-0-000	Shear Set
05	10-2046-0-773	Clamp Foot - RH
06	10-2044-1-015	Clamp Mat - RH
09	10-2048-0-015	Clamp Mat - LH
11	10-2050-0-772	Clamp Foot - LH
12	14-2047-0-300	Clamp Plate - LH
13	10-2907-0-000	Cloth Deflector-CT
14	01-1683-0-001	Screw

See Pages 38 and 39 for additional clamping details.



DET	PART NUMBER	DESCRIPTION
01	13-4205-0-000	Draw-off Lever
02	01-6013-0-000	Stop Pin
03	13-3001-0-000	Cam Case
04	01-5042-0-000	Spring
05	10-4206-0-000	Loop Puller
06	01-2081-0-000	Screw
07	01-7632-1-000	Bushing
08	14-5014-0-000	Slide Block
09	14-5013-1-000	Bracket
10	01-7058-0-000	Roll
11	01-3001-0-000	Nut
12	01-4011-0-000	Washer
13	01-1567-0-000	Screw
14	13-3121-1-000	Stop
15	01-2886-0-002	Screw
16	01-6831-0-003	Anchor
17	01-5039-0-000	Spring
18	01-2241-0-001	Screw
19	13-3118-3-000	Actuator
20	01-1051-1-000	Screw
21	13-4207-1-000	Pivot Block
22	01-2144-0-000	Screw
23	01-2583-0-000	Screw
24	01-1774-0-000	Set Screw
25	10-3034-0-300	Upper Lateral Lever (CT)
26	10-3019-0-300	Lower Lateral Lever (CT)
27	01-2016-0-000	Screw
28	01-3013-0-000	Nut
29	10-3020-0-000	Stud (CT)
30	01-7004-0-000	Roll
31	01-4005-0-000	Washer
32	14-3033-0-000	Pivot Block
33	14-3064-0-180	Main Cam-CB
	14-3064-0-170	Main Cam-CA



BUTTONHOLE MACHINES

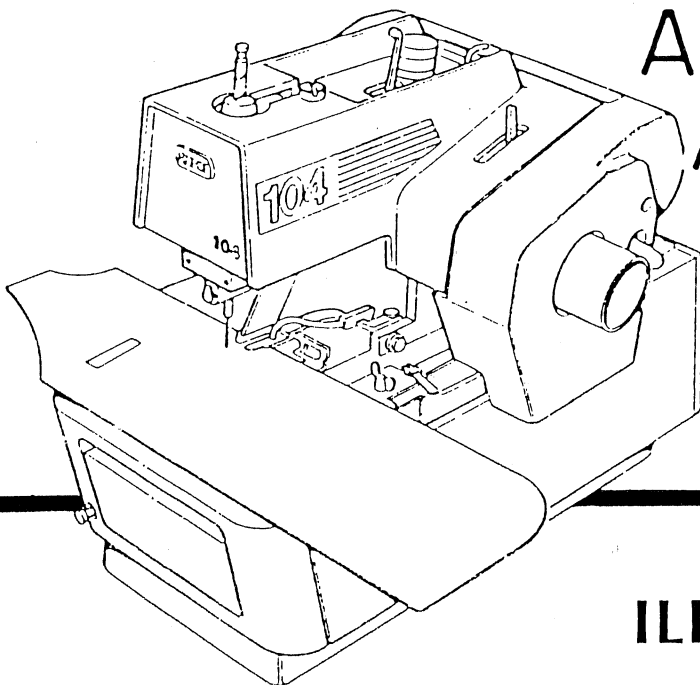
series 104

MODEL

AF·CA·RE·LTT

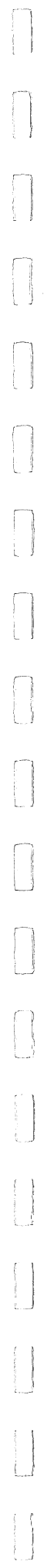
AF·CB·RE·LTT

AF·CB·FE·LTT



ILLUSTRATED PARTS

This section contains parts special to Long Tail Trimmer models. All other parts are standard and should be found in the Adjustable Flybar (standard) Section of this manual.





BUTTONHOLE MACHINES

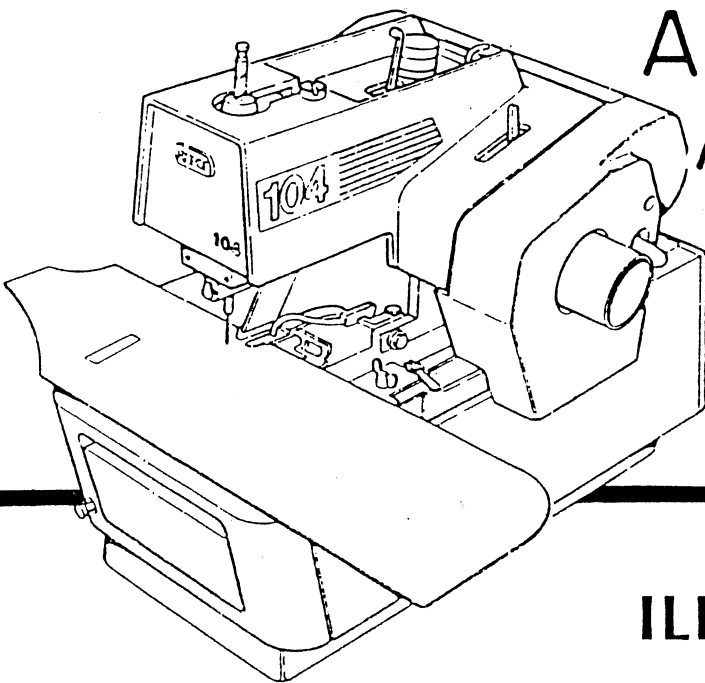
series 104

MODEL

AF·CA·RE·LTT

AF·CB·RE·LTT

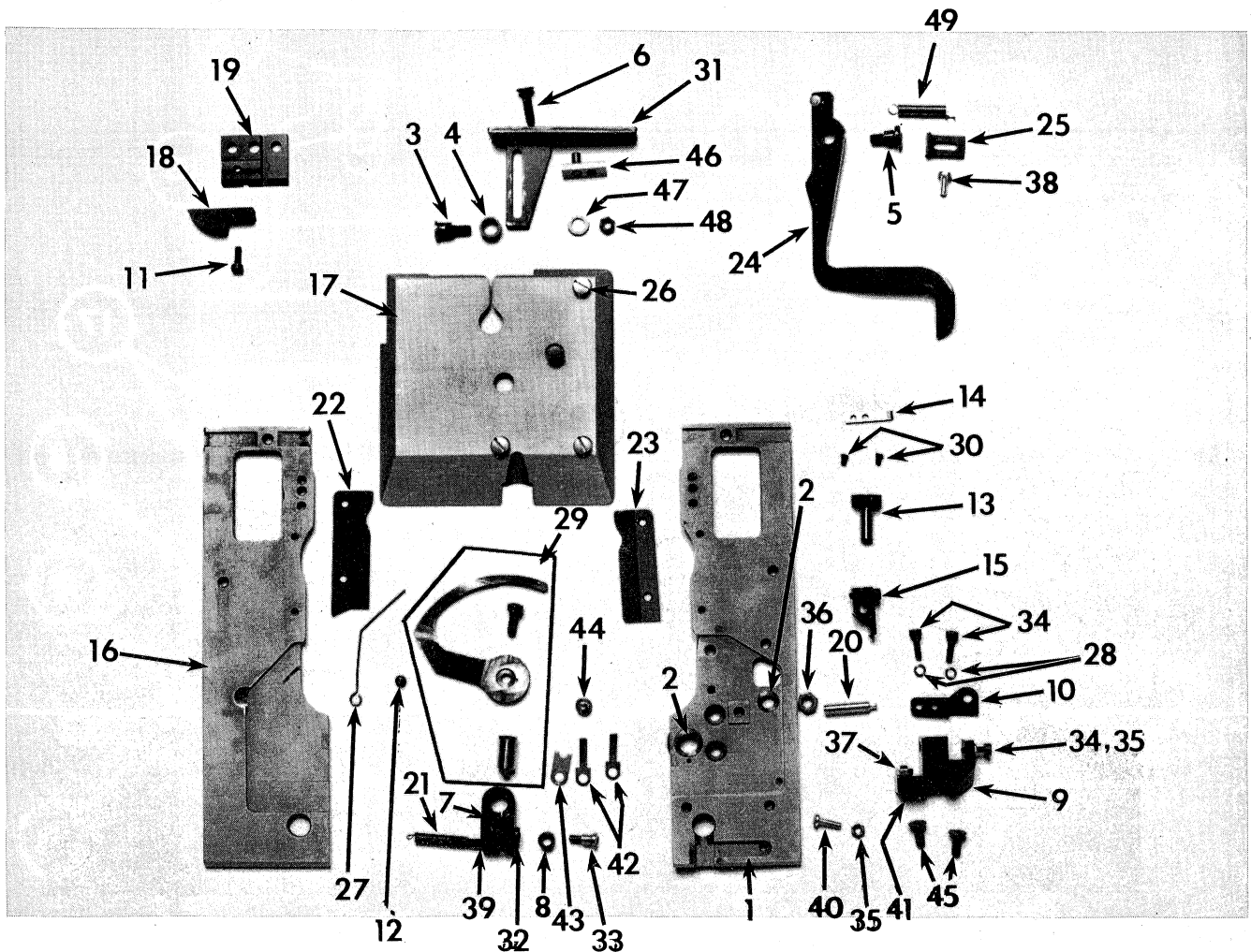
AF·CB·FE·LTT



ILLUSTRATED PARTS

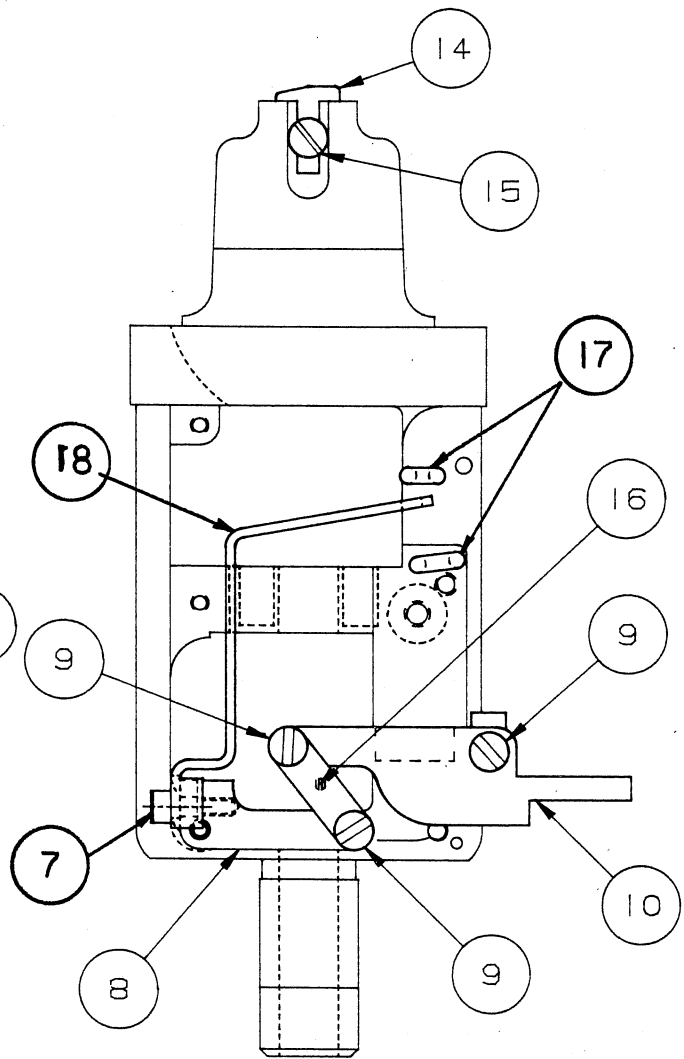
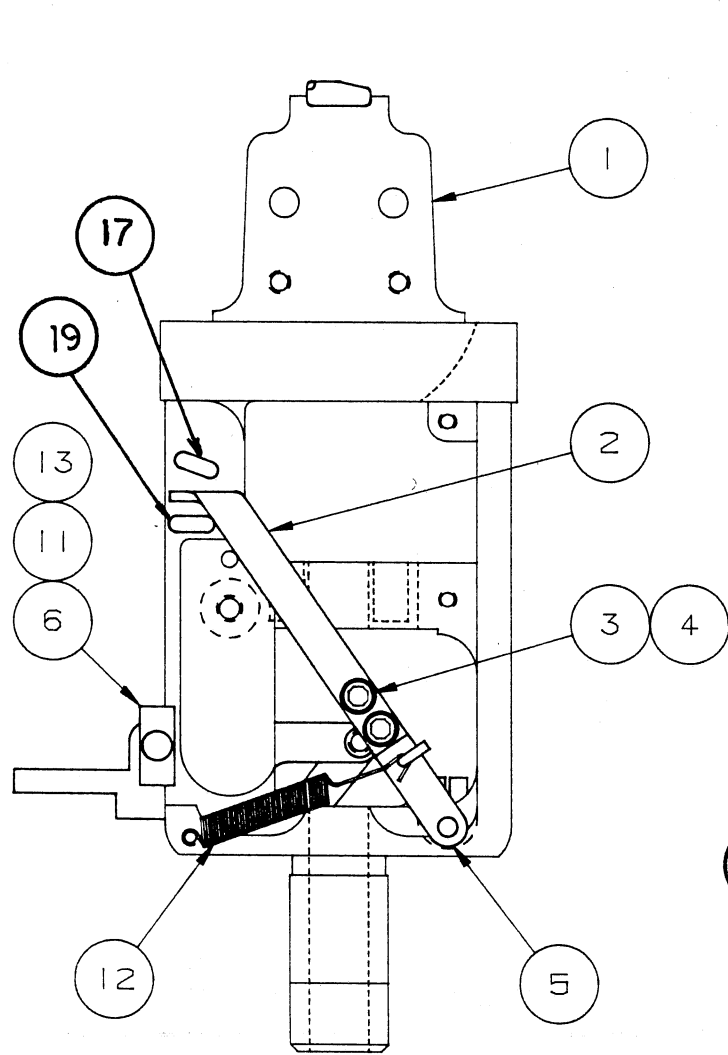
This section contains parts special to Long Tail Trimmer models. All other parts are standard and should be found in the Adjustable Flybar (standard) Section of this manual.





DET	PART NUMBER	DESCRIPTION
01	14-2901-0-000	Clamp Plate R.H.
02	03-5297-0-000	Bearing Repl.Kit
03	01-1567-0-000	Screw
04	01-7058-0-000	Roll
05	01-1824-0-000	Screw
06	01-2583-0-000	Screw
07	14-2907-0-000	Movable Knife Actuating Lever
08	14-2908-0-000	Roll
09	14-2909-0-000	Mounting Plate
10	14-2910-0-000	Bearing Support
11	01-1393-0-002	Screw
12	01-2053-0-000	Screw
13	14-2913-0-000	Stationary Knife Holder
14	14-2914-0-000	Stationary Knife
15	14-2915-0-000	Stationary Knife Adjustment Lever
16	14-2916-0-000	Clamp Plate L.H.
17	14-2917-0-000	Cover
18	14-4918-1-000	Movable Knife Return Lever
19	14-4919-1-000	Spacer Plate
20	14-2940-0-000	Spring Plunger
21	01-5665-0-000	Spring
22	14-2922-0-000	Clamp Mat L.H.
23	14-2923-0-000	Clamp Mat R.H.

24	14-3924-1-000	Lower Thread Draw-Off Lever
25	14-3928-0-000	Stop
26	01-1888-0-000	Screw
27	01-5243-0-000	Thrd. Deflector Spring
28	01-4405-0-000	Lockwasher
29	14-2906-0-050	Movable Trim Knife Asm.
30	01-1881-0-000	Screw
31	14-5013-1-000	Actuator Bracket
32	01-1388-0-002	Screw
33	01-1883-0-000	Screw
34	01-1393-0-003	Screw
35	01-3150-0-000	Nut
36	01-3800-0-004	Nut
37	01-3800-0-003	Nut
38	01-2241-0-001	Screw
39	01-1422-0-000	Spring Hook
40	01-1886-0-000	Screw
41	01-1889-0-000	Screw
42	14-2941-0-000	Thread Retainer
43	14-2942-0-000	Hold Down Plate
44	01-2761-0-000	Screw
45	01-1880-0-000	Screw
46	14-5014-0-000	Slide Block
47	01-4011-0-000	Washer
48	01-3001-0-000	Nut
49	01-5039-0-000	Spring



DET	PART NUMBER	DESCRIPTION
01	14-4001-0-400	Race Asm.-L.T.T.
02	14-4996-0-000	Draw-off Top
03	01-2411-0-000	Screw
04	01-4072-0-000	Washer
05	14-4995-0-000	Draw-off Bottom
06	13-4207-1-000	Pivot Block
07	01-2413-0-000	Screw
08	14-4999-0-000	Link
09	01-1072-0-000	Screw
10	14-4998-0-000	Lever
11	01-2144-0-000	Screw
12	01-5636-0-000	Spring
13	01-1774-0-000	Locking Set Screw
14	14-4012-0-025	Throat Plate (CB)
14	14-4012-0-026	Throat Plate (CA)
15	01-2056-0-000	Screw
16	14-4997-0-000	Link
17	01-6985-0-000	Pin
18	14-4994-0-000	Gimp Draw-Off
19	01-6980-0-000	Pin

MAIN CAMS		
PROD.NO.	DESCRIPTION	PART NUMBER
14-272	AF-CA-R-RE-LTT	14-3064-0-001
14-282	AF-CB-R-RE-LTT	14-3064-1-027
14-283	AF-CB-R-FE-LTT	14-3064-0-183

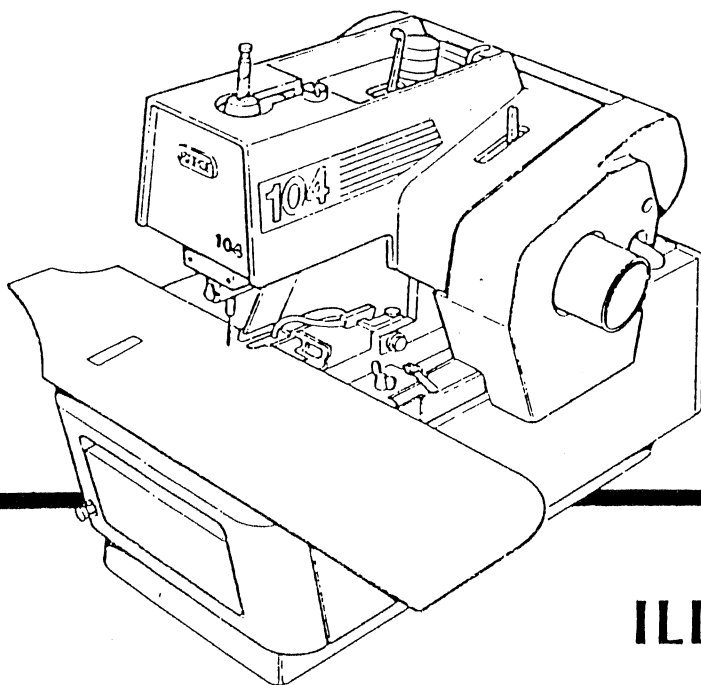


BUTTONHOLE MACHINES

series 104

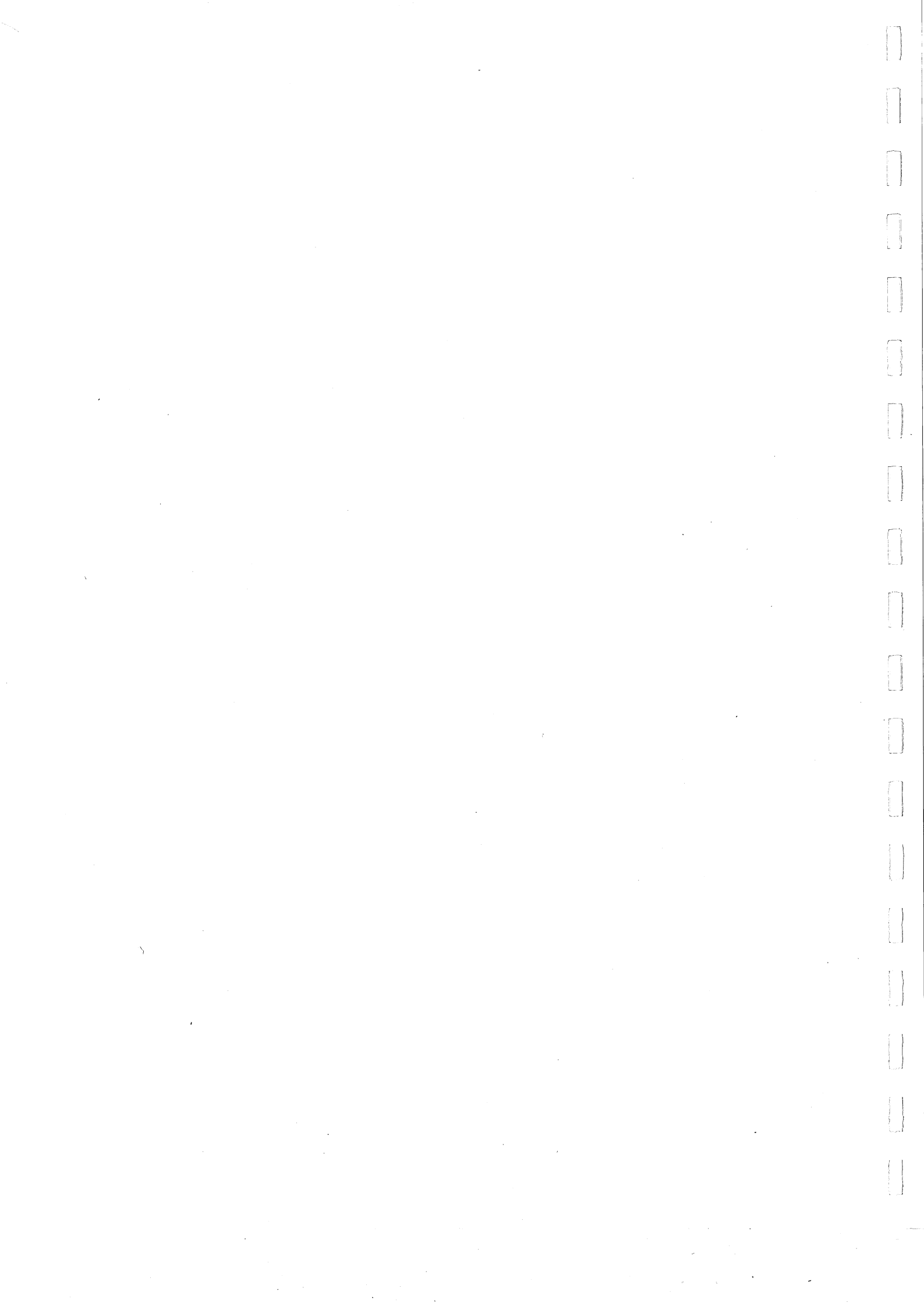
MODEL

AF·CB·R·ME/LE·HH



ILLUSTRATED PARTS

This section contains parts special to the Hand Hole model. All other parts are standard and should be found in the Adjustable Flybar (standard) Section of this manual.



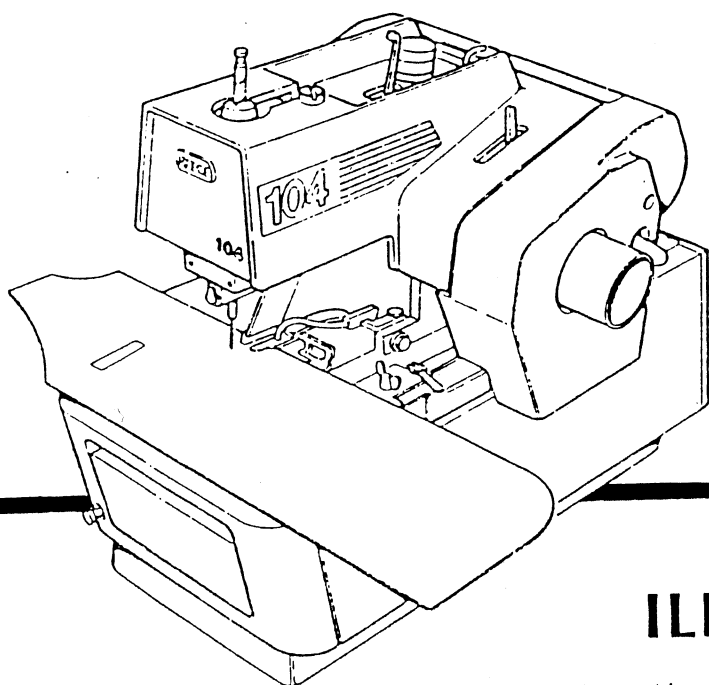


BUTTONHOLE MACHINES

series 104

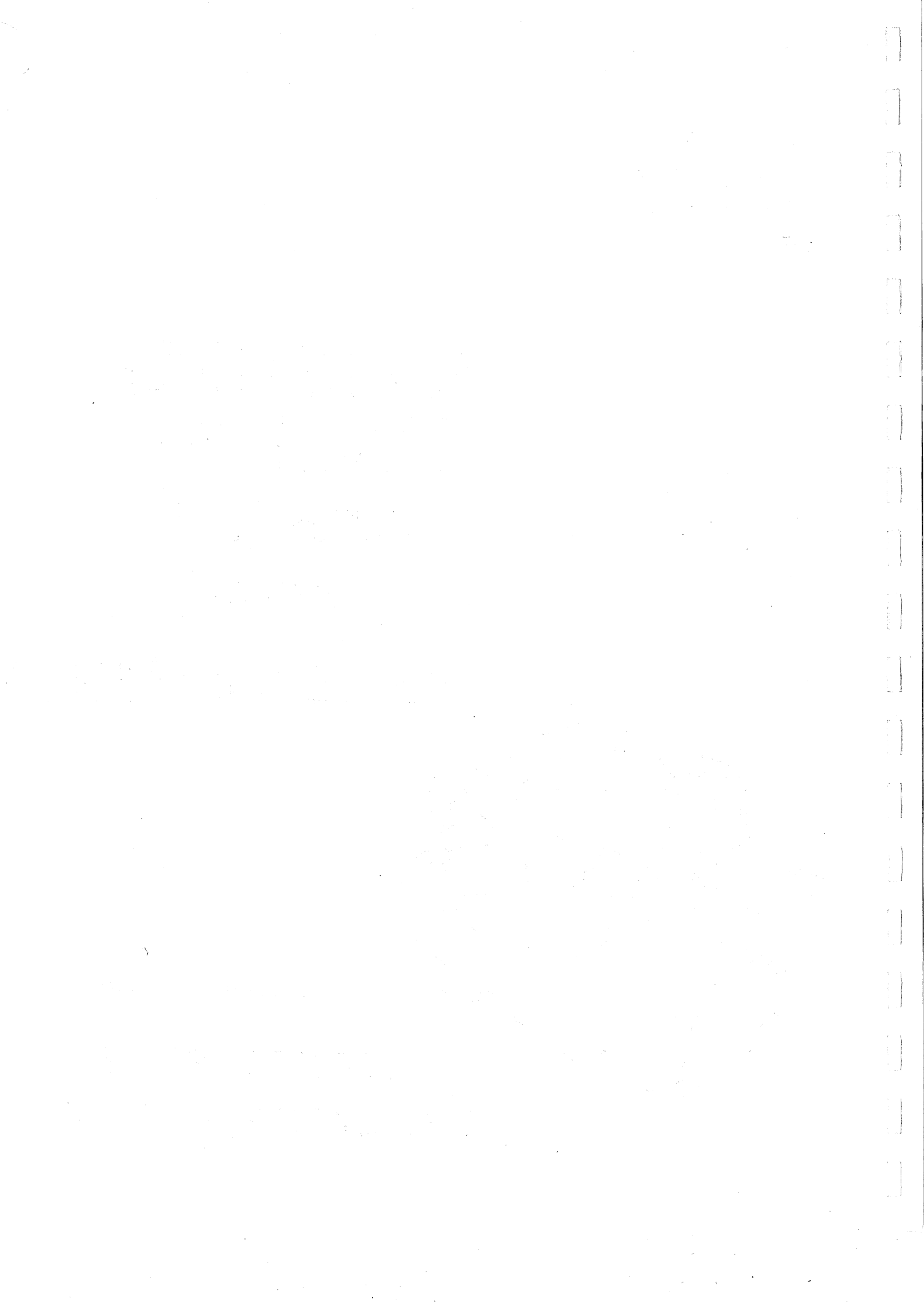
MODEL

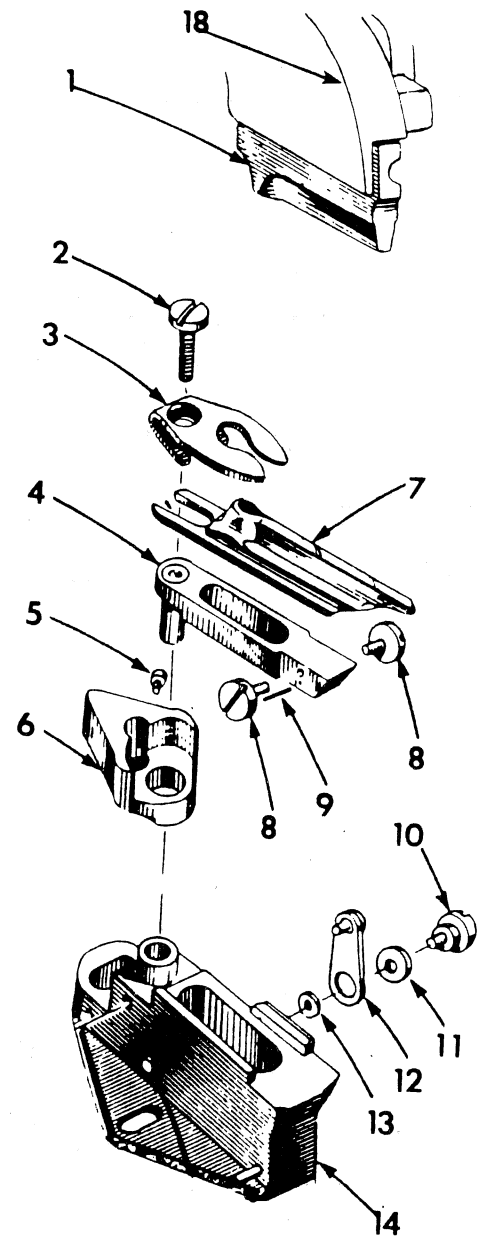
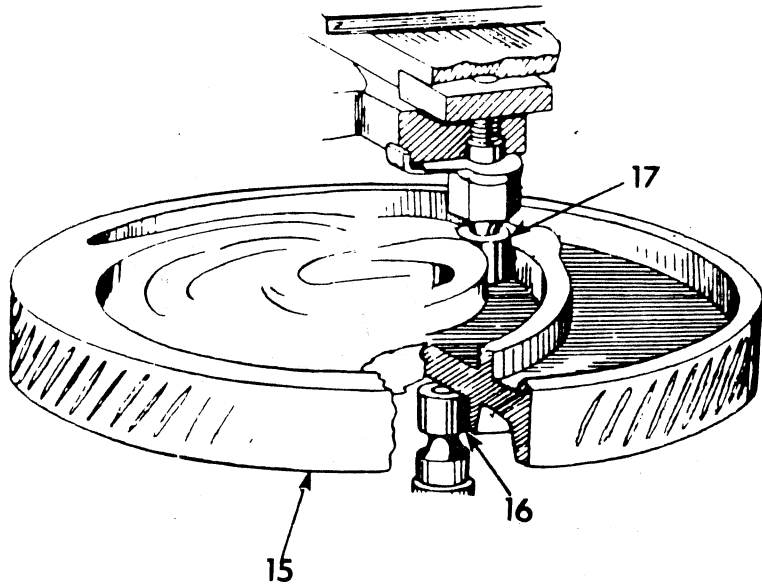
AF·CB·R·ME/LE·HH



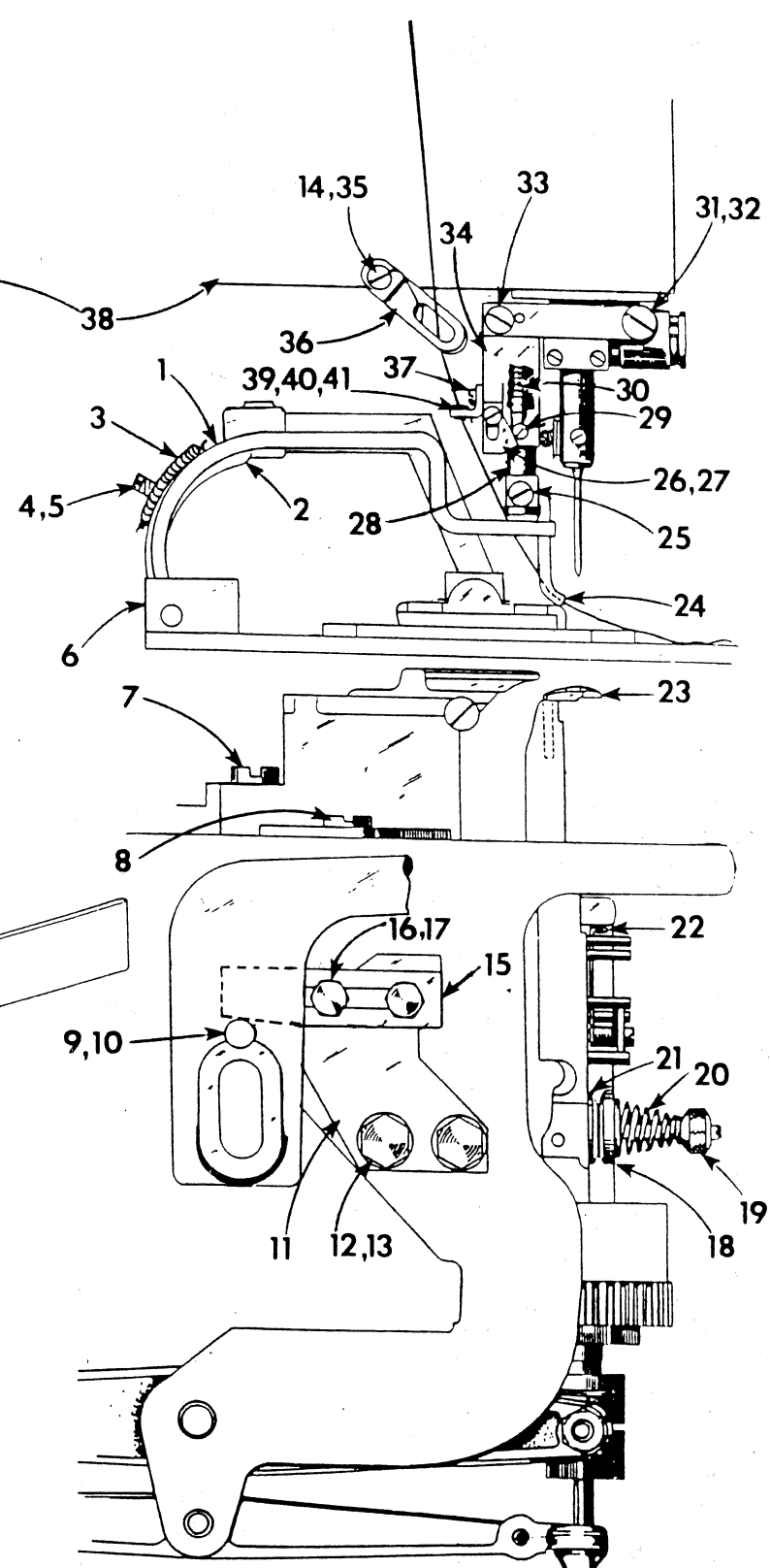
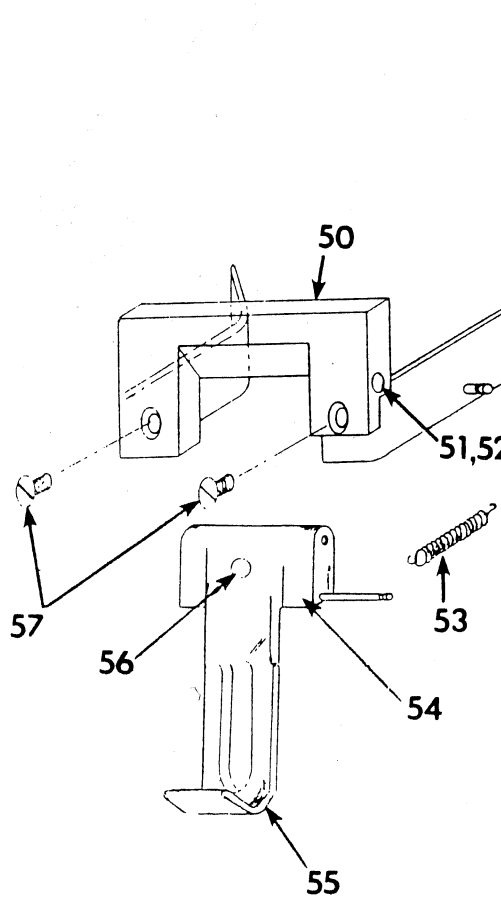
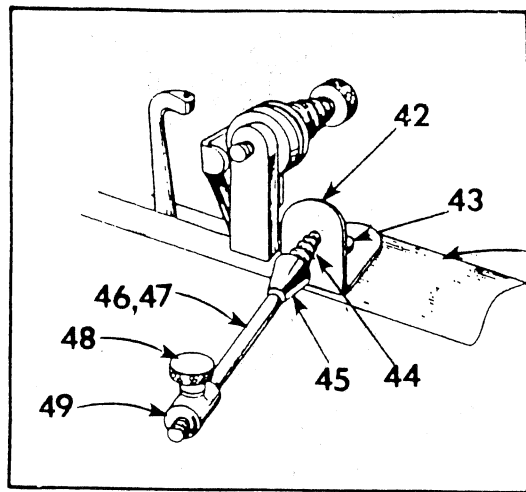
ILLUSTRATED PARTS

This section contains parts special to the Hand Hole model. All other parts are standard and should be found in the Adjustable Flybar (standard) Section of this manual.





DET	PART NUMBER	DESCRIPTION
01	10-1069-0-075	Cutting Steel, 3/4"
	10-1069-0-077	Cutting Steel, 1"
	10-1069-0-079	Cutting Steel, 1-1/4"
	10-1069-0-087	Cutting Steel, 1-1/4" No Eye
02	01-2039-0-000	Screw
03	10-3074-0-011	Cloth Lifter
04	10-3071-1-250	Knife Pad
05	01-2001-0-000	Screw
06	10-3067-4-254	Spreading Block
07	10-3072-1-028	Knife - Hand Hole
	10-3072-0-023	Knife - No Eye
08	01-2102-0-000	Screw
09	01-6036-0-000	Pin
10	01-1130-0-000	Screw
11	01-4003-0-000	Lock Washer
12	01-5173-0-000	Lock Spring
13	01-4029-0-000	Washer
14	10-3070-0-250	Knife Holder
15	14-3064-0-188	Main Cam
16	01-7004-0-000	Roll (for Lateral Lever)
17	10-2007-0-000	Roll (for Bedplate Travel)
18	10-1154-0-050	Cutting Lever



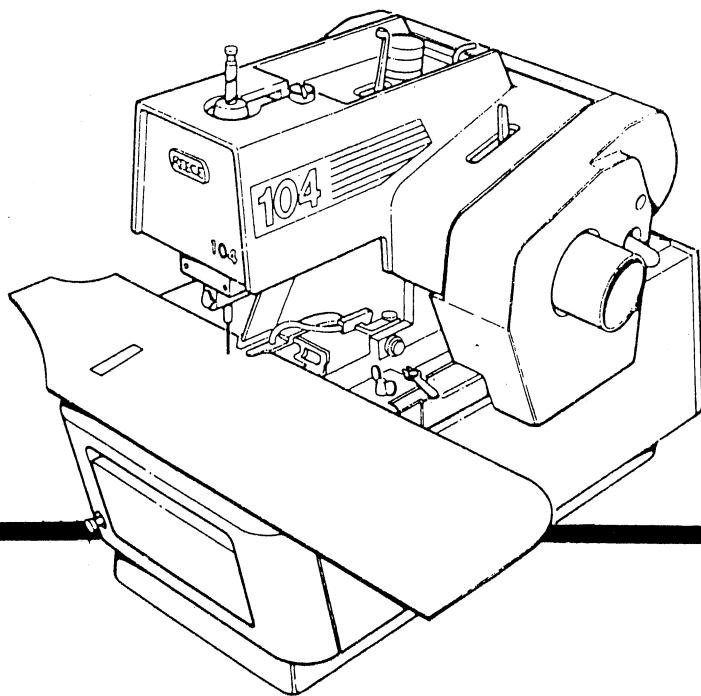
DET	PART NUMBER	DESCRIPTION
01	14-2400-0-000	Lifting Arm
02	14-2050-0-003	Clamp Arm Base LH (HH)
03	01-5033-0-000	Spring
04	01-2320-0-000	Screw
05	01-3001-0-000	Nut
06	14-2049-0-003	LH Clamp Block (HH)
07	01-2038-0-000	Screw
08	01-2039-0-000	Screw
09	01-1247-0-000	Stud (AF)
10	01-3415-0-000	Nut
11	10-3401-0-000	Bracket
12	01-2020-0-000	Screw
13	01-4024-0-000	Washer
14	01-2885-0-003	Screw
15	10-3402-0-000	Slide
16	01-2074-0-000	Screw
17	01-4042-0-000	Washer
18	10-4031-0-000	Heavy Disc
19	10-4030-0-000	Nut
20	01-5028-0-000	Spring
21	10-4032-0-000	Thin Disc
22	01-5434-0-000	Check Spring
23	10-4012-0-008	Throat Plate
24	10-1405-1-000	Cord Guide
25	01-2073-0-000	Screw
26	10-1409-0-000	Stop
27	01-2081-0-000	Screw
28	14-1406-0-000	Lifter Asm.
29	01-1427-0-000	Screw
30	01-5018-0-000	Spring
31	01-2305-0-000	Screw
32	01-7433-0-000	Bushing
33	01-2045-0-000	Screw
34	10-1404-1-000	Bracket
35	01-3401-0-000	Nut
36	10-3607-1-000	Cord Guide
37	01-2001-0-000	Screw
38	14-0525-0-003	Head Center Cover
39	01-6551-0-000	Retaining Ring
40	01-7447-1-000	Ceramic Guide Insert
41	14-5034-0-000	Cord Guide
42	14-1400-0-000	Bracket
43	01-2247-0-003	Screw
44	01-5051-0-000	Spring
45	10-5009-0-000	Thimble
46	10-2057-1-000	Spindle
47	01-3009-0-000	Nut
48	10-1401-0-000	Clamp Screw
49	10-1402-0-000	Thimble
50	14-1258-1-000	Pivot Guard Asm.
51	01-2557-0-000	Screw
52	01-1241-0-001	Screw
53	01-5429-0-000	Spring
54	14-1261-0-000	Needle Guard Pivot
55	14-1260-0-000	Needle Guard
56	01-2461-0-000	Screw
57	01-2659-0-000	Screw





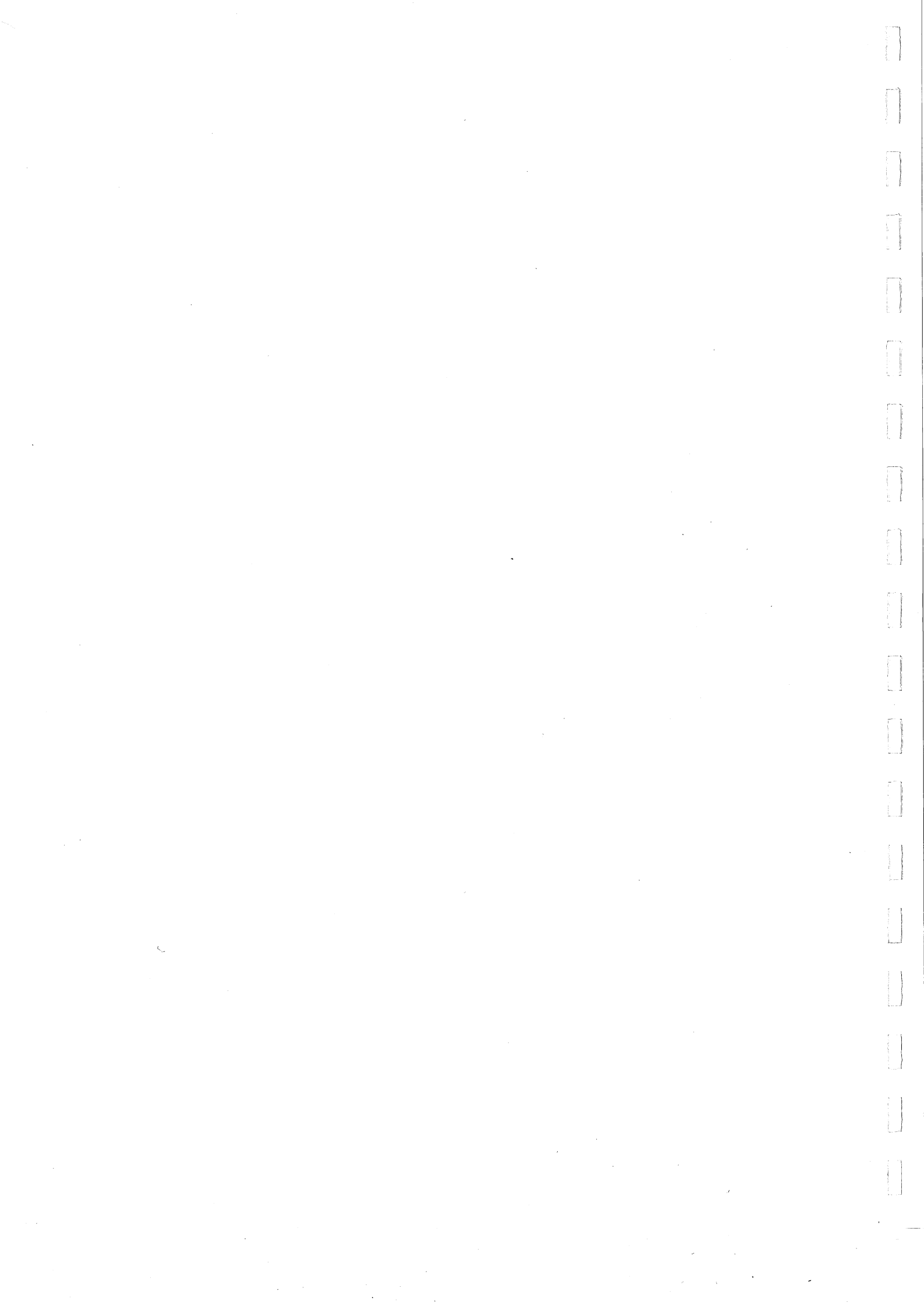
BUTTONHOLE MACHINES

series 104



Section 4

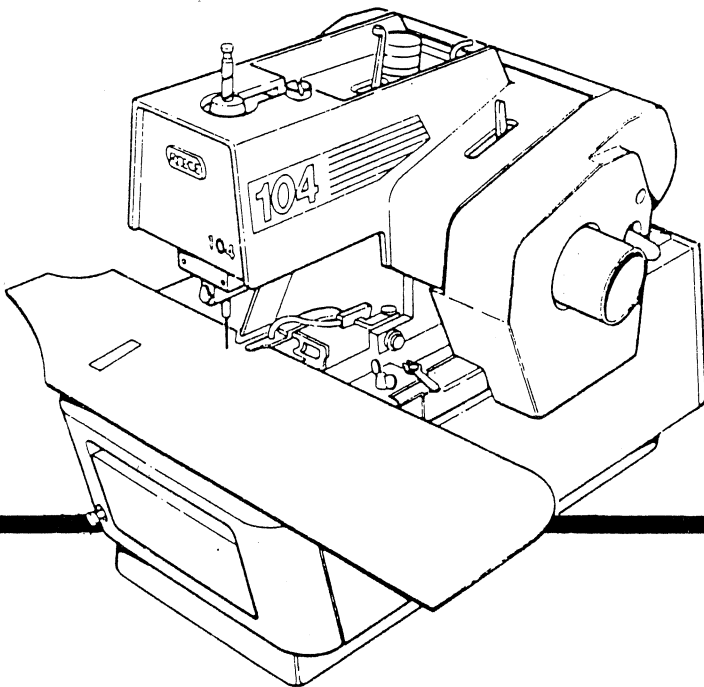
PARTS INDEX





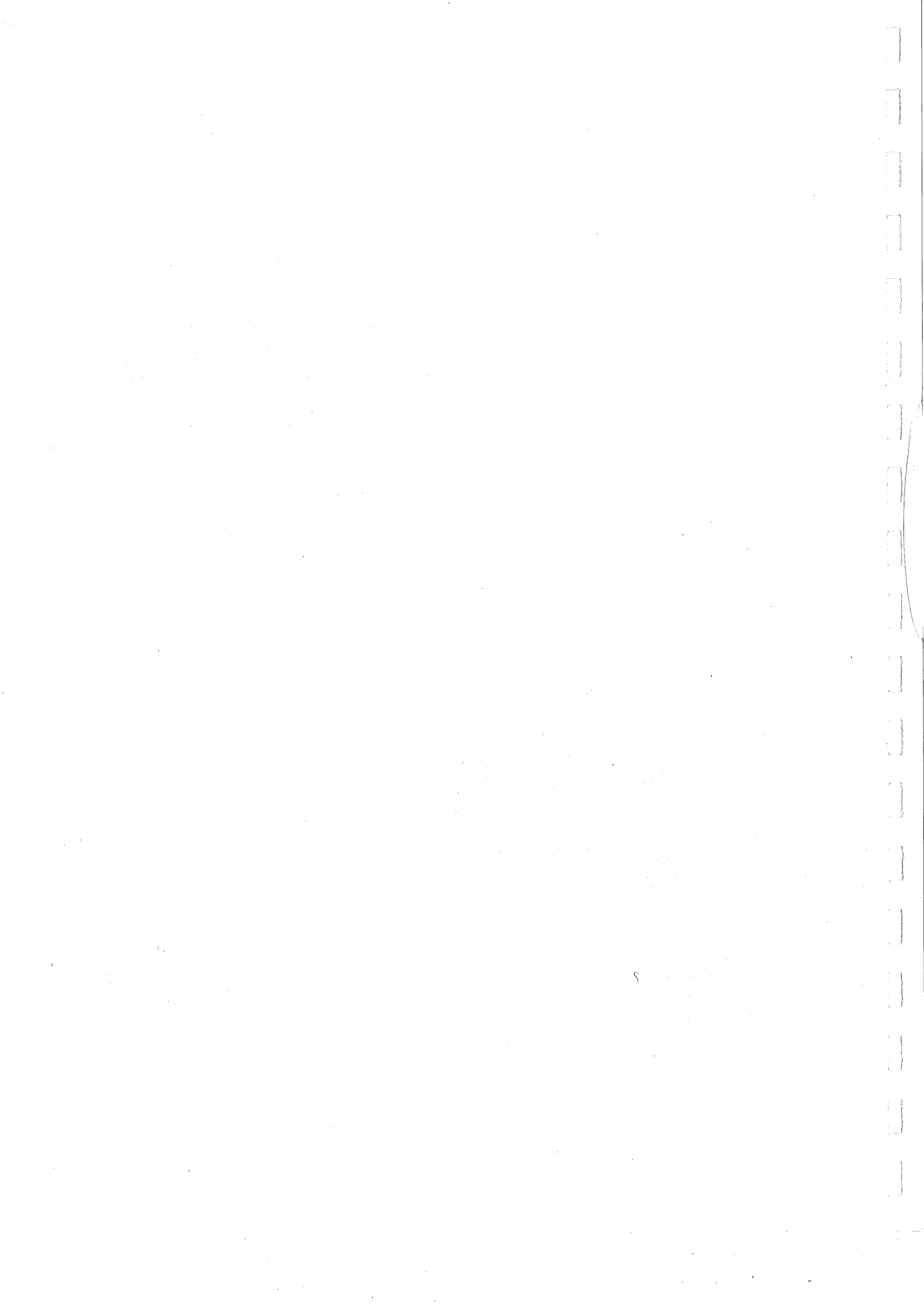
BUTTONHOLE MACHINES

series 104



Section 4

PARTS INDEX



INDEX

79

Part Number	Page	Det
01-1006		
01-1006-0-000	23	12
01-1006-0-000	24	10
01-1020-1-000	01	15
01-1020-1-000	04	08
01-1020-1-000	55	15
01-1021-0-000	04	04
01-1028-0-000	09	47
01-1031-0-000	39	59
01-1051-1-000	41	20
01-1051-1-000	51	20
01-1051-1-000	66	20
01-1072-0-000	70	09
01-1076-0-000	03	39
01-1114-0-000	12	14
01-1114-0-000	33	11
01-1130-0-000	28	09
01-1130-0-000	59	09
01-1130-0-000	73	10
01-1131-0-000	28	19
01-1137-0-000	01	22
01-1137-0-000	39	43
01-1137-0-000	55	22
01-1147-0-001	09	06
01-1147-0-003	17	34
01-1238-0-000	03	52
01-1241-0-001	17	29
01-1241-0-001	75	52
01-1247-0-000	75	09
01-1388-0-002	69	32
01-1393-0-002	69	11
01-1393-0-003	69	34
01-1395-0-004	26	16
01-1422-0-000	69	39
01-1427-0-000	75	29
01-1432-0-000	21	08
01-1432-0-000	58	17
01-1447-0-000	21	04
01-1447-0-000	58	13
01-1509-0-000	06	19
01-1520-0-000	35	13
01-1557-0-000	01	43
01-1557-0-000	39	15
01-1557-0-000	55	43
01-1567-0-000	51	13
01-1567-0-000	66	13
01-1567-0-000	69	03
01-1576-0-000	27	24
01-1577-0-000	40	40
01-1577-0-000	50	40
01-1592-0-000	35	32
01-1594-0-000	21	14
01-1594-0-000	26	15
01-1601-0-001	03	38
01-1601-0-007	03	60
01-1649-0-000	11	18
01-1683-0-001	65	14
01-1686-0-401	03	12

Part Number	Page	Det
01-1705-0-502	03	44
01-1774-0-000	41	24
01-1774-0-000	51	24
01-1774-0-000	66	24
01-1774-0-000	70	13
01-1781-0-000	09	49
01-1824-0-000	69	05
01-1880-0-000	69	45
01-1881-0-000	69	30
01-1883-0-000	69	33
01-1886-0-000	69	40
01-1888-0-000	69	26
01-1889-0-000	69	41
01-1973-0-000	06	14
01-2001-0-000	12	13
01-2001-0-000	24	07
01-2001-0-000	28	18
01-2001-0-000	33	10
01-2001-0-000	42	15
01-2001-0-000	59	14
01-2001-0-000	63	06
01-2001-0-000	73	05
01-2001-0-000	75	37
01-2004-0-000	27	26
01-2006-0-000	21	27
01-2006-0-000	34	14
01-2006-0-000	49	14
01-2007-0-000	20	05
01-2008-0-000	09	52
01-2008-0-000	19	22
01-2008-0-000	40	18
01-2008-0-000	50	18
01-2011-0-000	19	01
01-2012-0-000	20	25
01-2012-0-000	59	05
01-2013-0-000	23	42
01-2013-0-000	27	21
01-2014-0-000	26	01
01-2015-0-000	01	18
01-2015-0-000	39	52
01-2015-0-000	55	18
01-2016-0-000	13	02
01-2016-0-000	26	08
01-2016-0-000	42	07
01-2016-0-000	57	02
01-2016-0-000	66	27
01-2020-0-000	75	12
01-2022-0-000	09	39
01-2024-0-000	23	20
01-2024-0-000	36	22
01-2024-0-000	56	15
01-2027-0-000	07	16
01-2027-0-000	27	02
01-2028-0-000	09	42
01-2028-0-000	26	03
01-2031-0-000	21	20
01-2033-0-000	07	14
01-2038-0-000	27	04
01-2038-0-000	41	23

Part Number	Page	Det
01-2038-0-000	42	12
01-2038-0-000	63	10
01-2038-0-000	75	07
01-2039-0-000	12	17
01-2039-0-000	27	05
01-2039-0-000	28	02
01-2039-0-000	33	16
01-2039-0-000	42	14
01-2039-0-000	59	02
01-2039-0-000	63	02
01-2039-0-000	63	09
01-2039-0-000	73	02
01-2039-0-000	75	08
01-2041-0-000	09	18
01-2041-0-000	22	04
01-2043-0-000	21	06
01-2043-0-000	58	15
01-2043-0-000	64	05
01-2045-0-000	03	14
01-2045-0-000	75	33
01-2046-0-000	03	09
01-2046-0-000	39	53
01-2050-0-000	36	13
01-2051-0-000	01	04
01-2051-0-000	39	19
01-2051-0-000	55	04
01-2053-0-000	01	14
01-2053-0-000	34	09
01-2053-0-000	39	36
01-2053-0-000	49	09
01-2053-0-000	55	14
01-2053-0-000	69	12
01-2054-0-000	36	07
01-2054-0-000	39	09
01-2056-0-000	23	37
01-2056-0-000	40	09
01-2056-0-000	50	09
01-2056-0-000	58	08
01-2056-0-000	70	15
01-2059-0-000	23	09
01-2059-0-000	41	08
01-2063-0-000	20	23
01-2067-0-000	07	03
01-2073-0-000	24	12
01-2073-0-000	40	08
01-2073-0-000	50	08
01-2073-0-000	75	25
01-2074-0-000	39	32
01-2074-0-000	75	16
01-2075-0-001	06	08
01-2075-0-001	09	33
01-2075-0-001	19	33
01-2075-0-001	39	40
01-2075-0-001	40	16
01-2075-0-001	50	16
01-2075-0-001	56	01
01-2076-0-000	39	13
01-2077-0-000	25	12
01-2077-0-000	36	18

Part Number	Page	Det
01-2077-0-000	56	18
01-2079-0-000	17	18
01-2079-0-000	21	16
01-2079-0-000	36	04
01-2081-0-000	23	15
01-2081-0-000	24	15
01-2081-0-000	41	06
01-2081-0-000	51	06
01-2081-0-000	66	06
01-2081-0-000	75	27
01-2084-0-000	56	06
01-2085-0-000	13	13
01-2085-0-000	57	13
01-2088-0-000	21	28
01-2100		
01-2100-0-000	19	24
01-2102-0-000	28	05
01-2102-0-000	42	18
01-2102-0-000	63	07
01-2102-0-000	73	08
01-2104-0-000	39	25
01-2111-0-001	01	11
01-2111-0-001	39	51
01-2111-0-001	55	11
01-2130-0-000	09	01
01-2131-0-000	17	02
01-2131-0-000	25	06
01-2136-0-000	40	04
01-2136-0-000	50	04
01-2144-0-000	25	17
01-2144-0-000	41	22
01-2144-0-000	51	22
01-2144-0-000	66	22
01-2144-0-000	70	11
01-2146-0-000	09	15
01-2153-0-000	03	54
01-2171-0-000	25	15
01-2175-0-000	25	08
01-2193-0-000	17	21
01-2194-0-000	25	29
01-2194-0-000	36	16
01-2194-0-000	56	22
01-2241-0-001	11	38
01-2241-0-001	41	18
01-2241-0-001	46	27
01-2241-0-001	51	18
01-2241-0-001	66	18
01-2241-0-001	69	38
01-2243-0-000	11	06
01-2247-0-000	12	08
01-2247-0-001	35	30
01-2247-0-002	01	35
01-2247-0-002	06	17
01-2247-0-002	11	36
01-2247-0-002	15	06
01-2247-0-002	15	10
01-2247-0-002	55	35

Part Number	Page	Det
01-2247-0-003	75	43
01-2249-0-000	09	37
01-2305-0-000	75	31
01-2312-0-000	01	33
01-2312-0-000	55	33
01-2318-0-000	24	22
01-2318-0-000	40	22
01-2318-0-000	40	45
01-2318-0-000	50	22
01-2318-0-000	50	45
01-2320-0-000	75	04
01-2324-0-000	13	08
01-2324-0-000	57	08
01-2328-0-000	03	05
01-2334-0-000	35	28
01-2343-0-000	17	34
01-2344-0-000	09	11
01-2347-0-000	03	34
01-2347-0-000	36	10
01-2352-0-000	03	20
01-2361-0-000	24	18
01-2362-0-000	12	20
01-2365-0-000	40	48
01-2365-0-000	50	48
01-2391-0-000	09	08
01-2391-0-000	09	13
01-2392-0-000	13	17
01-2392-0-000	57	17
01-2410-0-000	11	10
01-2411-0-000	70	03
01-2412-0-000	03	51
01-2413-0-000	70	07
01-2419-0-000	17	09
01-2436-0-000	09	27
01-2450-0-000	35	11
01-2461-0-000	75	56
01-2482-0-000	11	22
01-2493-0-000	15	07
01-2506		
01-2506-0-000	35	33
01-2539-0-000	03	04
01-2539-0-001	03	57
01-2557-0-000	11	32
01-2557-0-000	75	51
01-2557-0-001	01	06
01-2557-0-001	17	28
01-2557-0-001	39	11
01-2557-0-001	55	06
01-2558-0-000	01	44
01-2558-0-000	35	24
01-2558-0-000	39	24
01-2558-0-000	55	44
01-2582-0-000	05	07
01-2583-0-000	51	23
01-2583-0-000	66	23
01-2583-0-000	69	06
01-2599-0-003	17	33

Part Number	Page	Det
01-2633-0-000	12	04
01-2639-0-002	11	14
01-2652-0-000	11	19
01-2659-0-000	17	30
01-2659-0-000	75	57
01-2667-0-000	24	28
01-2667-0-000	40	39
01-2667-0-000	50	39
01-2729-0-000	01	47
01-2729-0-000	55	47
01-2761-0-000	69	44
01-2811-0-000	46	32
01-2871-0-000	06	01
01-2877-0-000	15	14
01-2877-0-003	15	12
01-2885-0-003	75	14
01-2886-0-002	41	15
01-2886-0-002	51	15
01-2886-0-002	66	15
01-3001		
01-3001-0-000	01	01
01-3001-0-000	03	19
01-3001-0-000	03	53
01-3001-0-000	12	01
01-3001-0-000	23	41
01-3001-0-000	27	14
01-3001-0-000	27	25
01-3001-0-000	39	05
01-3001-0-000	41	11
01-3001-0-000	51	11
01-3001-0-000	55	01
01-3001-0-000	66	11
01-3001-0-000	69	48
01-3001-0-000	75	05
01-3005-0-000	07	13
01-3005-0-000	09	14
01-3005-0-000	22	10
01-3005-0-000	23	04
01-3005-0-000	25	13
01-3005-0-000	36	19
01-3005-0-000	56	19
01-3006-0-000	27	19
01-3007-0-000	03	03
01-3007-0-000	07	06
01-3007-0-000	35	29
01-3009-0-000	75	47
01-3010-0-000	20	10
01-3012-0-000	19	31
01-3013-0-000	03	16
01-3013-0-000	13	10
01-3013-0-000	42	09
01-3013-0-000	57	10
01-3013-0-000	66	28
01-3015-0-000	07	04
01-3016-0-000	01	23
01-3016-0-000	03	15
01-3016-0-000	21	19

Part Number	Page	Det
01-3016-0-000	25	28
01-3016-0-000	36	26
01-3016-0-000	39	14
01-3016-0-000	55	23
01-3016-0-000	56	12
01-3018-0-000	26	07
01-3019-0-000	09	48
01-3020-0-000	20	03
01-3021-0-000	39	35
01-3021-0-000	40	17
01-3021-0-000	50	17
01-3021-0-000	58	04
01-3025-0-000	22	06
01-3025-0-000	24	19
01-3028-0-000	19	28
01-3042-0-000	09	45
01-3059-0-000	07	08
01-3150-0-000	69	35
01-3401-0-000	46	33
01-3401-0-000	75	35
01-3404-0-000	03	07
01-3404-0-000	35	16
01-3415-0-000	75	10
01-3451-0-000	40	41
01-3451-0-000	50	41
01-3800-0-003	69	37
01-3800-0-004	69	36
01-4001		
01-4001-0-000	27	15
01-4002-0-000	15	24
01-4003-0-000	28	10
01-4003-0-000	59	10
01-4003-0-000	73	11
01-4005-0-000	03	17
01-4005-0-000	13	09
01-4005-0-000	42	08
01-4005-0-000	57	09
01-4005-0-000	66	31
01-4006-0-000	03	37
01-4006-0-000	06	10
01-4006-0-000	13	14
01-4006-0-000	25	02
01-4006-0-000	56	04
01-4006-0-000	57	14
01-4009-0-001	09	20
01-4010-0-000	20	01
01-4011-0-000	41	12
01-4011-0-000	51	12
01-4011-0-000	66	12
01-4011-0-000	69	47
01-4012-0-000	23	24
01-4013-0-000	23	27
01-4013-0-000	24	09
01-4015-0-000	24	23
01-4015-0-000	40	23
01-4015-0-000	40	46
01-4015-0-000	50	23
01-4015-0-000	50	46

Part Number	Page	Det
01-4018-0-000	07	15
01-4019-0-000	09	40
01-4024-0-000	75	13
01-4029-0-000	28	12
01-4029-0-000	46	34
01-4029-0-000	59	12
01-4029-0-000	73	13
01-4034-0-001	19	14
01-4034-0-002	19	14
01-4034-0-003	19	14
01-4034-0-004	19	14
01-4034-0-005	19	14
01-4038-0-000	01	24
01-4038-0-000	39	44
01-4038-0-000	55	24
01-4042-0-000	09	09
01-4042-0-000	75	17
01-4046-0-000	21	30
01-4052-0-000	03	59
01-4061-0-000	03	35
01-4063-0-000	09	44
01-4065-0-000	06	20
01-4067-0-000	04	02
01-4067-0-000	35	34
01-4072-0-000	70	04
01-4081-0-005	19	17
01-4081-0-006	19	17
01-4081-0-008	19	17
01-4081-0-009	19	17
01-4081-0-010	19	17
01-4081-0-011	19	17
01-4081-0-012	19	17
01-4117-0-000	09	07
01-4117-0-000	17	35
01-4121-0-000	03	55
01-4145-0-000	35	12
01-4154-0-000	21	15
01-4154-0-000	26	14
01-4404-0-000	35	15
01-4405-0-000	69	28
01-4411-0-300	35	27
01-4412-0-000	35	31
01-4442-0-000	11	23
01-4445-0-000	03	61
01-4446-0-000	03	56
01-4472-0-000	21	24
01-4503-0-000	06	02
01-4503-0-000	09	53
01-4528-0-006	15	08
01-4559-0-000	03	11
01-4571-0-000	35	25
01-4579-0-003	06	15
01-4701-0-000	15	02
01-4746-0-000	15	13
01-4747-0-000	09	51
01-4751-0-000	20	26
01-4904-0-000	09	30
01-4905-0-000	09	25
01-4905-0-000	11	21

Part Number	Page	Det
01-5002		
01-5002-0-000	12	10
01-5002-0-000	33	13
01-5003-0-000	19	20
01-5004-0-000	23	17
01-5005-0-001	20	14
01-5006-0-001	27	10
01-5013-0-000	03	24
01-5015-0-000	03	30
01-5018-0-000	75	30
01-5020-0-000	05	04
01-5022-0-000	01	31
01-5022-0-000	55	31
01-5023-0-000	04	11
01-5026-0-000	23	40
01-5027-0-000	23	26
01-5028-0-000	23	35
01-5028-0-000	75	20
01-5029-0-000	28	21
01-5033-0-000	39	57
01-5033-0-000	75	03
01-5034-0-000	39	37
01-5037-0-000	39	12
01-5038-0-000	56	17
01-5039-0-000	41	17
01-5039-0-000	51	17
01-5039-0-000	66	17
01-5039-0-000	69	49
01-5041-0-000	24	17
01-5042-0-000	41	04
01-5042-0-000	51	04
01-5042-0-000	66	04
01-5043-0-000	40	12
01-5043-0-000	50	12
01-5044-0-000	40	21
01-5044-0-000	50	21
01-5045-1-000	34	06
01-5045-1-000	49	06
01-5051-0-000	75	44
01-5054-0-000	21	34
01-5054-0-000	58	18
01-5059-0-000	40	32
01-5059-0-000	50	32
01-5061-0-000	15	26
01-5061-0-000	27	16
01-5062-0-000	39	34
01-5064-0-000	39	29
01-5065-0-000	39	28
01-5134-0-000	25	14
01-5134-0-000	36	20
01-5163-0-000	12	15
01-5163-0-000	33	12
01-5167-0-000	17	23
01-5172-0-000	13	16
01-5172-0-000	57	16
01-5173-0-000	28	11
01-5173-0-000	59	11
01-5173-0-000	73	12

Part Number	Page	Det
01-5243-0-000	69	27
01-5429-0-000	17	32
01-5429-0-000	75	53
01-5433-0-000	25	19
01-5433-0-000	35	21
01-5434-0-000	75	22
01-5447-0-000	09	10
01-5448-0-000	09	03
01-5457-0-000	01	48
01-5457-0-000	55	48
01-5603-0-000	12	26
01-5603-0-000	33	02
01-5619-0-000	24	27
01-5620-0-000	24	11
01-5636-0-000	70	12
01-5664-0-000	40	42
01-5664-0-000	50	42
01-5665-0-000	69	21
01-5666-0-000	35	18
01-6001		
01-6001-0-000	40	24
01-6001-0-000	50	24
01-6002-0-000	23	07
01-6002-0-000	24	16
01-6002-0-000	40	26
01-6002-0-000	50	26
01-6002-0-000	58	07
01-6003-0-000	23	28
01-6005-0-000	28	15
01-6006-0-000	03	25
01-6006-0-000	21	02
01-6006-0-000	27	12
01-6006-0-000	58	10
01-6007-0-000	03	23
01-6009-0-000	34	13
01-6009-0-000	49	13
01-6010-0-000	40	25
01-6010-0-000	50	25
01-6013-0-000	41	02
01-6013-0-000	51	02
01-6013-0-000	66	02
01-6014-0-000	03	29
01-6015-0-000	35	17
01-6015-0-000	39	58
01-6018-0-000	40	28
01-6018-0-000	50	28
01-6031-0-000	21	31
01-6034-0-000	42	19
01-6034-0-000	63	11
01-6036-0-000	28	17
01-6036-0-000	73	09
01-6074-0-000	04	14
01-6075-0-000	04	06
01-6135-0-001	04	10
01-6280-0-000	25	35
01-6280-0-000	40	43
01-6280-0-000	50	43

Part Number	Page	Det
01-6328-0-000	28	16
01-6334-0-000	12	18
01-6334-0-000	33	18
01-6345-0-000	07	12
01-6368-0-000	25	21
01-6368-0-000	35	20
01-6428-0-000	09	04
01-6502-0-001	11	31
01-6528-0-000	25	20
01-6528-0-000	35	19
01-6551-0-000	15	16
01-6551-0-000	75	39
01-6560-0-000	27	09
01-6612-0-000	25	34
01-6831-0-002	20	16
01-6831-0-002	39	56
01-6831-0-003	05	05
01-6831-0-003	41	16
01-6831-0-003	51	16
01-6831-0-003	66	16
01-6837-0-000	27	13
01-6970-0-000	09	31
01-6980-0-000	70	19
01-6983-0-001	27	07
01-6985-0-000	70	17
01-7004		
01-7004-0-000	13	05
01-7004-0-000	57	05
01-7004-0-000	66	30
01-7004-0-000	73	16
01-7015-0-000	17	12
01-7022-0-000	23	06
01-7022-0-000	58	06
01-7023-0-000	13	21
01-7023-0-000	57	21
01-7023-0-000	57	25
01-7038-0-000	09	41
01-7041-0-000	20	12
01-7043-0-000	13	22
01-7043-0-000	57	22
01-7058-0-000	51	10
01-7058-0-000	66	10
01-7058-0-000	69	04
01-7433-0-000	75	32
01-7435-0-000	56	21
01-7435-1-000	25	10
01-7435-1-000	36	17
01-7438-0-000	36	23
01-7438-0-000	56	14
01-7447-1-000	15	15
01-7447-1-000	75	40
01-7626-0-001	12	05
01-7630-0-001	20	27
01-7632-1-000	41	07
01-7632-1-000	51	07
01-7632-1-000	66	07
01-7668-0-000	09	24

Part Number	Page	Det
01-7800-0-000	09	29
01-8002-0-000	09	38
01-8404-0-001	03	50
01-8410-0-002	11	15
01-8410-0-009	11	29
01-8413-0-000	11	17
03-5238		
03-5238-0-000	65	04
03-5245-0-000	21	13
03-5245-0-000	26	12
03-5245-0-000	42	01
03-5297-0-000	69	02
04-0514		
04-0514-0-000	45	09
04-0514-0-000	46	28
04-1400-0-000	11	35
04-1447-0-001	11	26
04-1791-0-000	15	27
04-1974-0-000	29	07
04-2040-0-003	45	04
04-2040-0-005	45	06
04-2501-0-000	29	09
04-2505-0-000	29	13
04-2510-0-000	29	10
04-2539-0-000	29	11
04-2540-0-000	29	12
05-0043-0-000	12	02
05-0087-0-420	29	15
05-0360-0-000	39	08
05-0531-0-001	19	34
05-1103-0-000	11	33
05-1105-0-000	45	20
05-1131-0-000	01	38
05-1131-0-000	55	38
05-1132-0-000	01	39
05-1132-0-000	55	39
06-0775-0-000	06	21
06-0833-0-000	12	03
07-0059		
07-0059-1-008	45	08
07-0059-1-010	45	24
07-0086-0-001	15	01
07-0087-0-001	15	03
07-0204-0-001	35	26
07-0204-0-001	46	26
07-0302-1-000	15	04
07-0400-0-003	21	09
07-0400-0-003	45	16
07-0400-0-003	58	19
07-0400-0-004	45	17
07-0400-0-005	45	12
07-0400-0-007	45	13
07-0400-0-010	46	30
07-0400-0-016	45	11

Part Number	Page	Det
07-0400-0-024	45	25
07-0401-0-004	24	30
07-0401-0-004	45	15
07-0401-0-007	21	10
07-0401-0-007	45	05
07-0401-0-009	23	25
07-0401-0-009	45	07
10-1003		
10-1003-0-000	12	25
10-1003-0-000	33	03
10-1004-0-000	12	24
10-1004-0-000	33	04
10-1005-0-000	33	05
10-1007-0-000	33	06
10-1008-0-000	12	12
10-1008-0-000	33	15
10-1009-0-000	12	11
10-1009-0-000	33	14
10-1014-1-000	17	01
10-1015-1-000	17	06
10-1016-2-000	17	07
10-1021-1-000	19	19
10-1022-0-000	19	21
10-1023-3-000	19	18
10-1024-0-001	19	05
10-1024-0-002	19	05
10-1024-0-003	19	05
10-1026-2-000	19	16
10-1027-1-050	17	10
10-1029-1-000	17	24
10-1030-0-017	17	20
10-1031-0-000	19	03
10-1032-0-000	17	03
10-1033-1-000	19	15
10-1034-0-000	19	12
10-1037-0-000	19	09
10-1038-2-000	19	08
10-1039-0-000	19	07
10-1040-0-000	19	06
10-1042-2-000	17	22
10-1044-0-000	19	30
10-1045-2-000	17	11
10-1053-0-000	20	29
10-1054-0-000	20	24
10-1055-0-000	20	21
10-1059-0-000	22	09
10-1060-2-000	22	07
10-1061-1-000	22	05
10-1062-0-000	20	22
10-1063-0-000	20	20
10-1065-0-000	19	23
10-1066-2-000	20	19
10-1068-1-050	27	03
10-1069-0-052	59	01
10-1069-0-054	59	01
10-1069-0-060	59	01
10-1069-0-072	59	01

Part Number	Page	Det
10-1069-0-075	73	01
10-1069-0-077	73	01
10-1069-0-079	73	01
10-1069-0-087	73	01
10-1071-1-023	27	20
10-1071-2-000	27	20
10-1072-0-000	27	08
10-1073-0-000	27	22
10-1074-0-000	27	17
10-1074-0-000	27	18
10-1074-0-250	27	18
10-1075-1-000	26	05
10-1076-0-000	19	04
10-1077-0-000	12	22
10-1077-0-000	23	31
10-1077-0-000	33	07
10-1078-0-000	23	33
10-1078-1-000	12	23
10-1078-1-000	33	05
10-1093-1-000	09	36
10-1109-3-000	09	43
10-1122-0-010	17	19
10-1122-0-997	20	17
10-1122-0-998	20	17
10-1122-0-999	20	17
10-1147-0-000	19	27
10-1150-0-000	19	32
10-1152-0-000	17	17
10-1153-0-000	19	10
10-1154-0-050	27	03
10-1154-0-050	59	03
10-1154-0-050	73	18
10-1156-0-000	19	13
10-1158-1-050	12	09
10-1158-1-050	33	08
10-1159-0-000	33	09
10-1159-1-000	12	16
10-1160-0-000	12	19
10-1160-0-000	33	17
10-1163-0-000	27	01
10-1167-1-000	09	02
10-1168-0-000	09	16
10-1169-0-000	09	12
10-1198-1-000	24	14
10-1201		
10-1201-0-000	39	60
10-1201-0-001	39	60
10-1206-0-000	34	03
10-1206-0-000	49	03
10-1208-0-000	34	05
10-1208-0-000	49	05
10-1209-0-000	34	08
10-1209-0-000	49	08
10-1210-1-000	34	04
10-1210-1-000	49	04
10-1211-0-000	34	10
10-1211-0-000	49	10

Part Number	Page	Det
10-1213-0-000	34	11
10-1213-0-000	49	11
10-1214-0-000	34	01
10-1214-0-000	49	01
10-1401-0-000	75	48
10-1402-0-000	75	49
10-1404-1-000	75	34
10-1405-1-000	75	24
10-1409-0-000	75	26
10-2001		
10-2001-0-001	01	36
10-2001-0-001	55	36
10-2001-0-002	01	37
10-2001-0-002	55	37
10-2001-0-003	01	36
10-2001-0-003	55	36
10-2006-0-017	57	24
10-2006-2-000	13	24
10-2007-0-000	13	25
10-2007-0-000	73	17
10-2007-0-350	09	17
10-2014-0-000	05	01
10-2015-0-000	05	03
10-2019-0-000	03	01
10-2020-0-000	03	27
10-2021-0-000	03	22
10-2022-0-000	03	26
10-2024-0-000	03	21
10-2025-0-000	03	08
10-2025-0-000	39	55
10-2025-0-017	03	06
10-2027-1-000	03	02
10-2028-1-000	03	10
10-2029-0-000	01	30
10-2029-0-000	55	30
10-2030-1-000	55	29
10-2031-0-000	01	34
10-2031-0-000	55	34
10-2031-1-000	01	29
10-2032-0-000	01	32
10-2032-0-000	06	18
10-2032-0-000	55	32
10-2033-0-000	04	09
10-2034-0-000	04	12
10-2036-0-000	04	07
10-2039-0-050	04	13
10-2040-0-050	04	05
10-2041-0-000	04	03
10-2042-0-000	01	28
10-2042-0-000	04	01
10-2042-0-000	55	28
10-2044-0-001	01	13
10-2044-0-002	01	13
10-2044-0-020	55	13
10-2044-1-015	65	06
10-2046-0-773	65	05
10-2046-1-751	01	10

Part Number	Page	Det
10-2046-1-755	55	10
10-2048-0-001	01	19
10-2048-0-002	01	19
10-2048-0-015	65	09
10-2048-0-019	55	19
10-2050-0-772	65	11
10-2050-1-750	01	20
10-2050-1-754	55	20
10-2051-2-000	01	25
10-2051-2-000	39	03
10-2051-2-000	55	25
10-2052-0-000	01	26
10-2052-0-000	39	04
10-2052-0-000	55	26
10-2054-0-000	01	17
10-2054-0-000	55	17
10-2057-1-000	75	46
10-2058-0-000	13	26
10-2058-0-000	57	26
10-2061-0-000	09	19
10-2063-0-000	03	58
10-2201-2-000	41	10
10-2204-0-000	39	30
10-2204-0-000	65	02
10-2205-0-000	39	31
10-2208-1-000	39	33
10-2210-0-001	65	01
10-2212-0-001	39	07
10-2212-1-000	39	61
10-2214-0-000	39	10
10-2215-0-000	39	20
10-2217-0-000	39	27
10-2218-0-000	39	26
10-2250-1-000	06	06
10-2250-1-000	56	05
10-2251-0-001	25	01
10-2251-1-000	06	11
10-2251-1-017	56	07
10-2252-0-000	06	12
10-2252-0-000	56	08
10-2253-0-000	06	13
10-2253-0-000	56	09
10-2255-2-150	21	01
10-2255-2-150	64	01
10-2255-2-167	58	09
10-2255-3-200	21	01
10-2256-0-000	21	05
10-2256-0-000	58	14
10-2257-0-000	13	19
10-2257-0-000	57	19
10-2258-0-000	13	18
10-2258-0-000	57	18
10-2259-0-000	13	15
10-2259-0-000	57	15
10-2260-0-001	13	20
10-2260-0-167	57	20
10-2261-0-032	56	02
10-2262-0-000	25	04
10-2263-0-000	25	05

Part Number	Page	Det
10-2264-0-000	25	07
10-2907-0-000	65	13
10-3002		
10-3002-0-000	22	02
10-3003-0-000	22	03
10-3005-0-000	20	07
10-3007-0-000	20	06
10-3008-0-000	20	09
10-3009-0-000	26	04
10-3010-0-000	26	02
10-3011-0-000	26	09
10-3011-0-000	42	06
10-3012-0-000	21	22
10-3012-0-000	26	10
10-3012-0-000	42	05
10-3013-0-000	26	18
10-3013-0-000	42	10
10-3016-0-000	21	17
10-3016-0-000	42	03
10-3018-0-000	21	11
10-3018-0-000	26	13
10-3018-0-000	42	02
10-3018-0-350	42	02
10-3019-0-300	13	03
10-3019-0-300	36	02
10-3019-0-300	66	26
10-3019-1-006	13	03
10-3019-1-006	57	03
10-3020-0-000	13	06
10-3020-0-000	36	05
10-3020-0-000	66	29
10-3020-0-006	13	06
10-3020-0-006	57	06
10-3025-0-000	03	32
10-3026-0-000	03	31
10-3026-0-000	26	11
10-3026-0-000	42	04
10-3027-0-000	21	21
10-3028-0-000	07	02
10-3033-0-017	13	23
10-3033-0-017	57	23
10-3034-0-258	13	01
10-3034-0-258	57	01
10-3034-0-300	13	01
10-3034-0-300	36	01
10-3034-0-300	66	25
10-3035-1-000	07	10
10-3036-0-000	07	11
10-3049-0-000	09	21
10-3050-0-000	09	22
10-3051-0-000	09	23
10-3058-1-300	42	13
10-3058-1-300	63	08
10-3061-0-150	03	33
10-3061-0-200	03	33
10-3061-0-300	03	33
10-3061-0-300	36	03

Part Number	Page	Det
10-3062-1-000	27	06
10-3066-0-008	07	07
10-3066-0-011	07	05
10-3067-2-253	42	17
10-3067-2-253	63	05
10-3067-3-253	28	07
10-3067-4-167	59	07
10-3067-4-254	28	07
10-3067-4-254	42	17
10-3067-4-254	63	05
10-3067-4-254	73	06
10-3070-0-017	59	13
10-3070-0-250	28	13
10-3070-0-250	73	14
10-3071-0-017	59	06
10-3071-1-250	28	06
10-3071-1-250	73	04
10-3072-0-014	59	04
10-3072-0-015	59	04
10-3072-0-023	73	07
10-3072-1-028	73	07
10-3074-0-011	28	03
10-3074-0-011	63	03
10-3074-0-011	73	03
10-3075-1-992	42	20
10-3075-1-993	42	20
10-3080-0-000	09	32
10-3081-0-000	09	46
10-3082-0-000	09	34
10-3084-0-000	56	20
10-3085-0-050	25	25
10-3086-0-000	25	24
10-3089-2-000	25	18
10-3090-0-000	36	21
10-3090-0-000	56	16
10-3200-0-000	36	06
10-3201-0-001	36	12
10-3202-0-050	36	25
10-3202-0-050	56	13
10-3203-0-000	25	23
10-3203-0-000	36	24
10-3203-0-000	56	23
10-3205-0-000	25	26
10-3205-0-000	36	08
10-3206-0-000	25	30
10-3206-0-000	36	15
10-3206-0-000	56	11
10-3217-0-000	36	14
10-3218-0-000	28	08
10-3218-0-000	59	08
10-3250-1-000	21	32
10-3252-1-000	21	03
10-3252-1-000	58	11
10-3252-1-000	64	02
10-3253-0-000	21	25
10-3254-0-000	21	07
10-3254-0-000	58	16
10-3257-0-000	21	29
10-3258-0-000	21	18

Part Number	Page	Det
10-3259-1-001	21	23
10-3259-1-002	21	23
10-3260-1-000	28	14
10-3261-0-000	28	20
10-3262-0-250	21	26
10-3300-0-006	13	04
10-3300-0-006	57	04
10-3301-1-006	13	11
10-3301-1-006	57	11
10-3302-0-000	13	12
10-3302-0-000	57	12
10-3303-0-000	13	07
10-3303-0-000	57	07
10-3401-0-000	75	11
10-3402-0-000	75	15
10-3607-1-000	15	05
10-3607-1-000	75	36
10-4003		
10-4003-0-000	24	25
10-4006-0-000	24	06
10-4007-0-000	24	03
10-4010-2-000	24	13
10-4010-2-000	40	07
10-4010-2-000	50	07
10-4012-0-001	23	01
10-4012-0-004	23	01
10-4012-0-008	75	23
10-4012-0-020	58	01
10-4012-0-021	58	01
10-4016-0-000	23	23
10-4017-0-000	23	05
10-4017-0-000	58	05
10-4018-0-000	23	08
10-4019-0-000	23	39
10-4020-0-000	23	11
10-4021-0-000	23	19
10-4024-0-000	20	02
10-4025-0-000	26	06
10-4026-0-000	23	18
10-4028-0-000	23	30
10-4029-0-000	23	32
10-4030-0-000	12	27
10-4030-0-000	23	36
10-4030-0-000	33	01
10-4030-0-000	75	19
10-4030-0-300	40	33
10-4030-0-300	50	33
10-4031-0-000	23	34
10-4031-0-000	40	30
10-4031-0-000	50	30
10-4031-0-000	75	18
10-4032-0-000	23	33
10-4032-0-000	40	29
10-4032-0-000	50	29
10-4032-0-000	75	21
10-4033-0-000	23	31
10-4033-0-050	23	29

Part Number	Page	Det
10-4034-0-000	23	16
10-4035-0-000	23	03
10-4035-0-000	58	03
10-4036-0-000	23	14
10-4037-0-000	23	13
10-4039-0-000	24	08
10-4200-0-000	40	15
10-4200-0-000	50	15
10-4202-0-000	24	20
10-4203-0-000	24	21
10-4203-0-000	40	47
10-4203-0-000	50	47
10-4206-0-000	41	05
10-4206-0-000	51	05
10-4206-0-000	66	05
10-4208-0-000	40	02
10-4208-0-000	50	02
10-4209-0-000	40	03
10-4209-0-000	50	03
10-4210-0-000	40	01
10-4210-0-000	50	01
10-4211-0-000	40	13
10-4211-0-000	50	13
10-4212-0-000	40	06
10-4212-0-000	50	06
10-4215-0-000	40	11
10-4215-0-000	50	11
10-4217-0-000	40	20
10-4217-0-000	50	20
10-4218-0-000	40	34
10-4218-0-000	50	34
10-4218-0-200	23	32
10-4219-0-000	40	35
10-4219-0-000	50	35
10-4220-0-000	40	19
10-4220-0-000	50	19
10-4221-0-000	40	31
10-4221-0-000	50	31
10-4550-0-000	15	20
10-5009-0-000	75	45
13-1001		
13-1001-0-050	33	19
13-1029-0-000	17	24
13-1036-0-000	19	26
13-1049-0-000	17	15
13-1050-0-000	17	16
13-1052-0-001	20	28
13-1091-1-000	22	11
13-2086-0-000	03	42
13-2086-0-001	35	23
13-2087-1-000	03	46
13-2087-1-000	35	22
13-2200-1-000	41	09
13-3001-0-000	41	03
13-3001-0-000	51	03
13-3001-0-000	66	03
13-3022-1-023	03	36

Part Number	Page	Det
13-3023-0-000	03	28
13-3062-1-000	27	06
13-3079-0-000	09	35
13-3101-2-001	11	25
13-3102-0-001	15	21
13-3105-0-000	15	22
13-3106-0-001	15	18
13-3106-0-002	15	19
13-3107-1-000	15	09
13-3109-0-002	15	17
13-3118-3-000	41	19
13-3118-3-000	51	19
13-3118-3-000	66	19
13-3121-0-000	41	14
13-3121-0-000	51	14
13-3121-1-000	66	14
13-3127-0-000	15	11
13-3131-0-001	03	40
13-4205-0-000	41	01
13-4205-0-000	51	01
13-4205-0-000	66	01
13-4207-1-000	41	21
13-4207-1-000	51	21
13-4207-1-000	66	21
13-4207-1-000	70	06
13-5024-0-000	15	28
13-5025-1-000	15	25
14-0525		
14-0525-0-003	75	38
14-0603-0-050	15	23
14-0604-0-050	29	08
14-0606-0-050	29	06
14-0609-0-050	29	05
14-0610-0-050	29	04
14-0614-0-050	05	06
14-0615-0-050	12	28
14-0621-0-000	29	02
14-0622-0-000	29	01
14-0623-0-000	29	03
14-1001-0-050	11	08
14-1002-0-003	45	19
14-1003-0-000	45	02
14-1005-0-000	45	23
14-1006-0-000	46	35
14-1007-0-000	46	36
14-1008-0-000	45	03
14-1009-0-000	45	10
14-1010-0-000	45	18
14-1013-0-000	46	37
14-1015-0-000	45	14
14-1016-0-050	17	05
14-1017-0-000	17	04
14-1018-1-000	46	31
14-1020-0-100	45	01
14-1023-0-000	45	21
14-1025-0-000	19	25
14-1028-0-000	17	13
14-1029-0-000	45	22

Part Number	Page	Det
14-1030-0-000	46	29
14-1035-0-050	19	11
14-1041-0-000	19	02
14-1043-0-000	19	29
14-1046-0-050	17	08
14-1047-0-050	17	14
14-1058-0-000	22	08
14-1064-1-000	20	18
14-1067-0-000	20	08
14-1108-0-050	09	50
14-1197-0-000	24	29
14-1197-0-000	40	38
14-1197-0-000	50	38
14-1198-0-000	40	44
14-1198-0-000	50	44
14-1204-0-000	34	12
14-1204-0-000	49	12
14-1205-0-000	34	02
14-1205-0-000	49	02
14-1207-0-000	34	07
14-1207-0-000	49	07
14-1236-0-000	20	13
14-1237-0-000	27	23
14-1252-1-000	17	26
14-1258-1-000	17	25
14-1258-1-000	75	50
14-1260-0-000	75	55
14-1261-0-000	75	54
14-1300-0-050	11	16
14-1302-0-000	11	13
14-1303-0-000	11	02
14-1305-0-000	11	03
14-1306-0-000	11	04
14-1308-0-000	06	03
14-1309-0-000	11	37
14-1310-0-000	11	11
14-1311-0-000	11	09
14-1312-0-000	11	01
14-1314-0-000	11	07
14-1315-0-000	11	30
14-1316-0-000	11	05
14-1318-0-000	12	07
14-1319-0-000	12	06
14-1320-0-000	12	29
14-1400-0-000	75	42
14-1406-0-000	75	28
14-1703-0-000	40	37
14-1703-0-000	50	37
14-1967-0-000	29	14
14-2001		
14-2001-0-000	39	54
14-2001-0-200	03	45
14-2002-0-001	01	40
14-2002-0-001	39	45
14-2002-0-001	55	40
14-2002-0-002	01	41
14-2002-0-002	39	17

Part Number	Page	Det
14-2002-0-002	55	41
14-2003-0-000	01	08
14-2003-0-000	39	16
14-2003-0-000	55	08
14-2004-0-000	01	05
14-2004-0-000	39	46
14-2004-0-000	55	05
14-2007-0-000	01	07
14-2007-0-000	39	18
14-2007-0-000	55	07
14-2008-0-000	01	02
14-2008-0-000	39	41
14-2008-0-000	55	02
14-2013-0-000	05	02
14-2023-0-000	03	18
14-2024-0-000	03	49
14-2026-0-002	03	47
14-2026-0-003	03	48
14-2026-0-005	03	41
14-2026-0-006	03	13
14-2043-0-017	55	12
14-2043-0-019	01	12
14-2043-1-301	39	01
14-2043-1-301	65	03
14-2047-0-017	55	16
14-2047-0-019	01	16
14-2047-0-300	39	02
14-2047-0-300	65	12
14-2049-0-003	75	06
14-2050-0-003	75	02
14-2053-0-000	01	03
14-2053-0-000	39	22
14-2053-0-000	55	03
14-2059-0-000	01	09
14-2059-0-000	55	09
14-2059-0-300	39	48
14-2060-0-000	01	21
14-2060-0-000	39	47
14-2060-0-000	55	21
14-2061-0-100	09	19
14-2061-0-300	09	19
14-2069-0-000	25	33
14-2069-0-050	25	09
14-2069-0-802	25	32
14-2077-0-000	03	43
14-2202		
14-2202-0-000	39	38
14-2212-0-000	01	42
14-2212-0-000	39	23
14-2212-0-000	55	42
14-2213-0-000	01	45
14-2213-0-000	55	45
14-2214-0-000	01	46
14-2214-0-000	55	46
14-2215-0-001	39	06
14-2254-0-000	06	09
14-2254-0-000	25	03

Part Number	Page	Det
14-2254-0-000	56	03
14-2256-0-000	64	04
14-2300-0-000	06	05
14-2301-0-000	06	04
14-2302-0-000	06	16
14-2303-0-000	11	39
14-2304-0-000	05	08
14-2400-0-000	75	01
14-2901-0-000	69	01
14-2906-0-050	69	29
14-2907-0-000	69	07
14-2908-0-000	69	08
14-2909-0-000	69	09
14-2910-0-000	69	10
14-2913-0-000	69	13
14-2914-0-000	69	14
14-2915-0-000	69	15
14-2916-0-000	69	16
14-2917-0-000	69	17
14-2922-0-000	69	22
14-2923-0-000	69	23
14-2940-0-000	69	20
14-2941-0-000	69	42
14-2942-0-000	69	43
14-3001		
14-3001-0-000	07	01
14-3001-0-000	11	12
14-3002-0-000	42	16
14-3004-0-000	22	01
14-3006-0-150	20	11
14-3006-0-150	42	11
14-3006-0-165	20	11
14-3006-0-200	20	11
14-3006-0-200	42	11
14-3017-0-000	21	12
14-3017-0-000	26	17
14-3017-0-000	42	21
14-3033-0-000	66	32
14-3064-0-170	66	33
14-3064-0-180	66	33
14-3064-0-188	73	15
14-3072-0-170	63	04
14-3072-0-175	63	04
14-3074-0-012	42	22
14-3087-0-000	25	22
14-3088-0-000	25	16
14-3100-0-000	09	28
14-3101-0-000	09	26
14-3216-0-000	36	30
14-3216-0-011	36	09
14-3251-0-000	21	33
14-3251-0-000	58	12
14-3251-0-000	64	03
14-3302-0-000	11	24
14-3303-0-000	11	28
14-3304-0-000	11	34
14-3308-0-000	11	20

