

## TABLE OF CONTENTS

### S-311

Main Stitch Shaft .....	3-2
Needle Bar Drive .....	3-4
Bite Adjustments and Barrell .....	3-6
Take-Up Lever .....	3-8
Needle Bar and Gear .....	3-10
Thread Release .....	3-12
Head and Lubrication .....	3-14
Race .....	3-16
Stitch Shaft and Drive .....	3-18
Turning Mechanism .....	3-20
Cutting Lever Assembly .....	3-22
Knife Drive .....	3-24
Lubrication Mechanism .....	3-26
Case .....	3-28
X-Y Table Movement .....	3-30
Bed Plate Assembly .....	3-32
Clamping — AF .....	3-34
Clamping — AF/ACL .....	3-36
Covers .....	3-38
Head Pneumatic Parts Standard .....	3-40
Control Box — Pneumatic Parts .....	3-42
Exhaust -Pneumatic Parts .....	3-44
Head Electronic Parts .....	3-46
Table .....	3-48
Electronic Box -Electronic Parts — I .....	3-50
Electronic Box -Electronic Parts — II .....	3-52
Electronic Box -Electronic Parts — III .....	3-54
Version AF .....	3-56
Version CT .....	3-58
Version CT Clamping .....	3-62
Version CT/LTT — Thread Clamp .....	3-66
Version LTT .....	3-68
Version LTT — Clamping .....	3-70
Version ACL .....	3-74
Version RDE .....	3-76
Clamping RDE .....	3-78
LED Light .....	3-80
Tools/Accessories .....	3-82

### S-311 Indexer

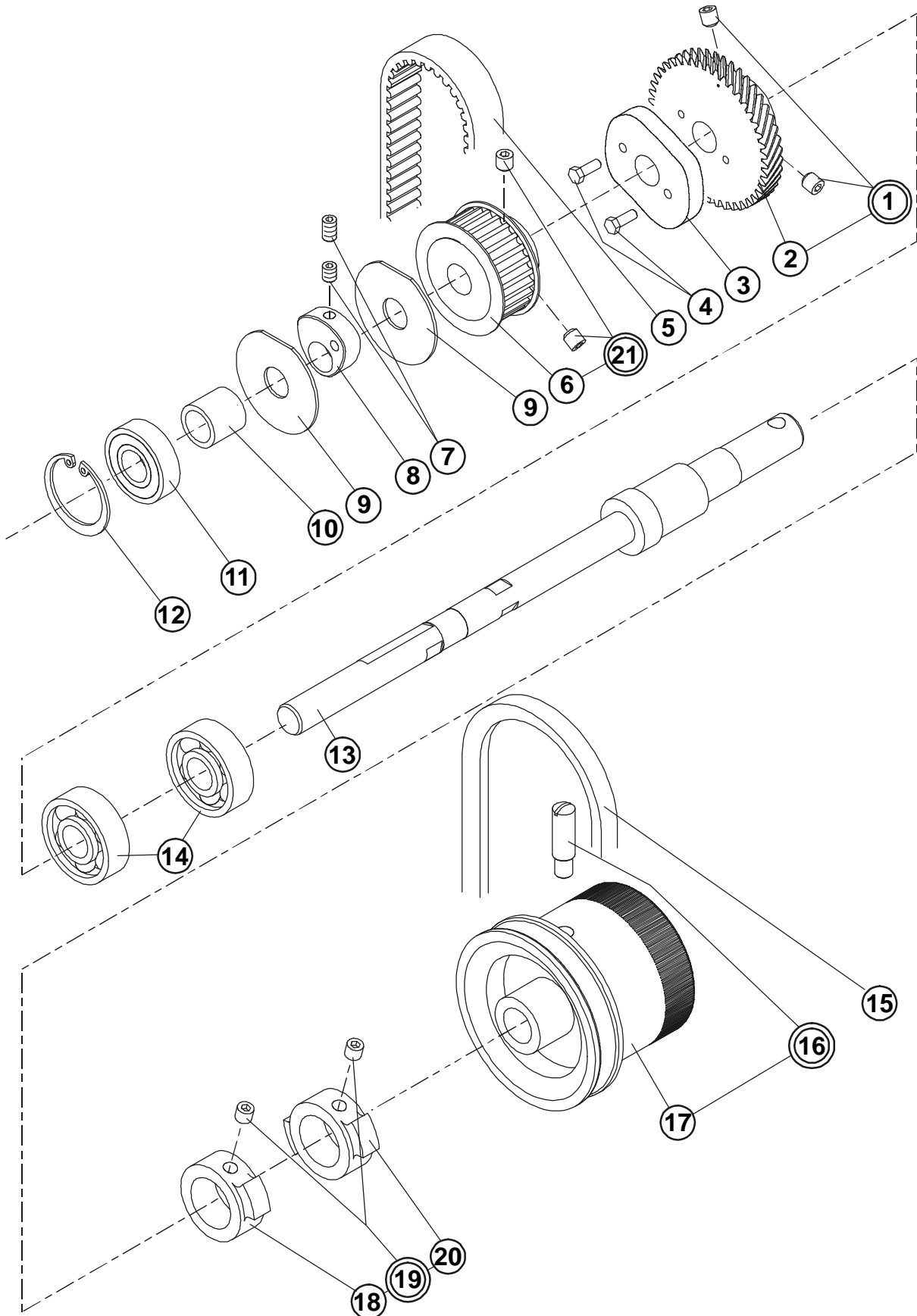
Base and Clamp .....	3-2 I
Power .....	3-4 I
Covers .....	3-6 I
Clamping - AF+I .....	3-8 I
Clamping - CT+I .....	3-10 I
Table .....	3-14 I
Electronic box - Electronic parts I .....	3-14 I
Electronic box - Electronic parts II .....	3-18 I
Electronic box - Electronic parts III .....	3-20 I

Revised 01/2007

E-mail: [service@amfreece.cz](mailto:service@amfreece.cz); [parts@amfreece.cz](mailto:parts@amfreece.cz); website: [www.amfreece.com](http://www.amfreece.com)

Phones: +420 582 309 146 (Service), +420 582 309 286 (Spare Parts); Fax: +420 582 360 606

# MAIN STITCH SHAFT

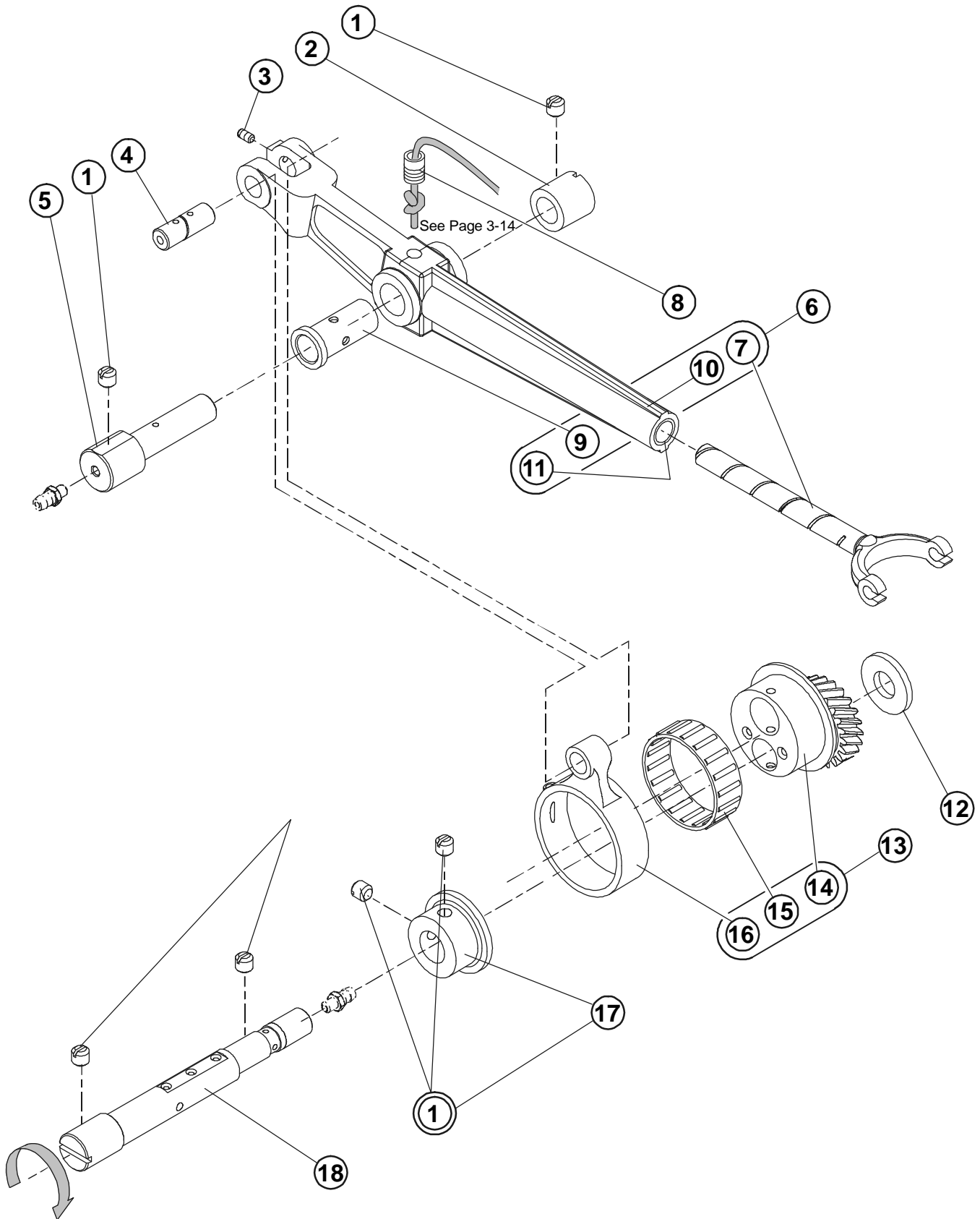


Revised 01/2007

E-mail: [service@amfreece.cz](mailto:service@amfreece.cz); [parts@amfreece.cz](mailto:parts@amfreece.cz); website: [www.amfreece.com](http://www.amfreece.com)  
Phones: +420 582 309 146 (Service), +420 582 309 286 (Spare Parts); Fax: +420 582 360 606



# NEEDLE BAR DRIVE

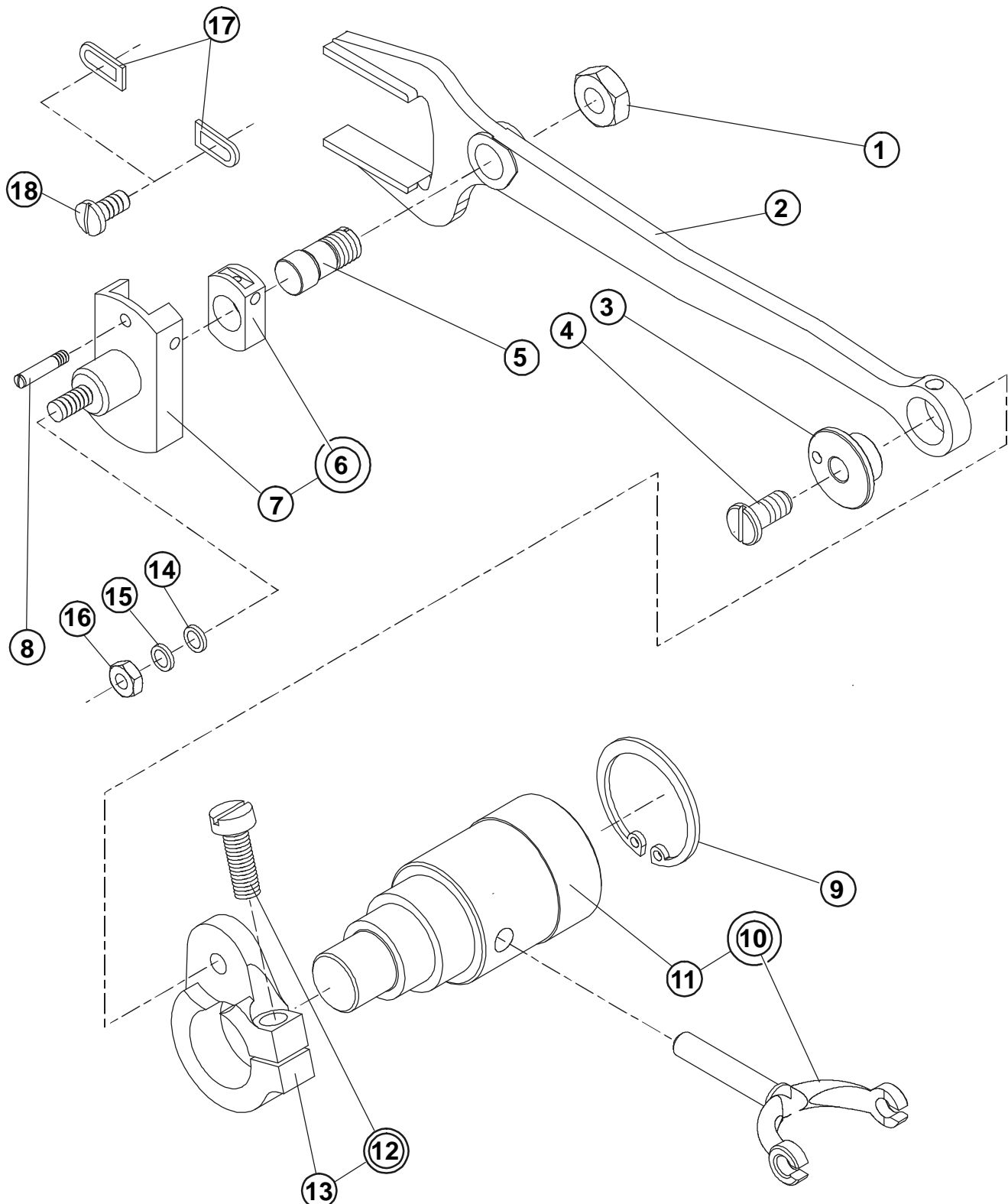


Revised 01/2007

E-mail: [service@amfreece.cz](mailto:service@amfreece.cz); [parts@amfreece.cz](mailto:parts@amfreece.cz); website: [www.amfreece.com](http://www.amfreece.com)  
Phones: +420 582 309 146 (Service), +420 582 309 286 (Spare Parts); Fax: +420 582 360 606



## BITE ADJUSTMENTS AND BARRELL



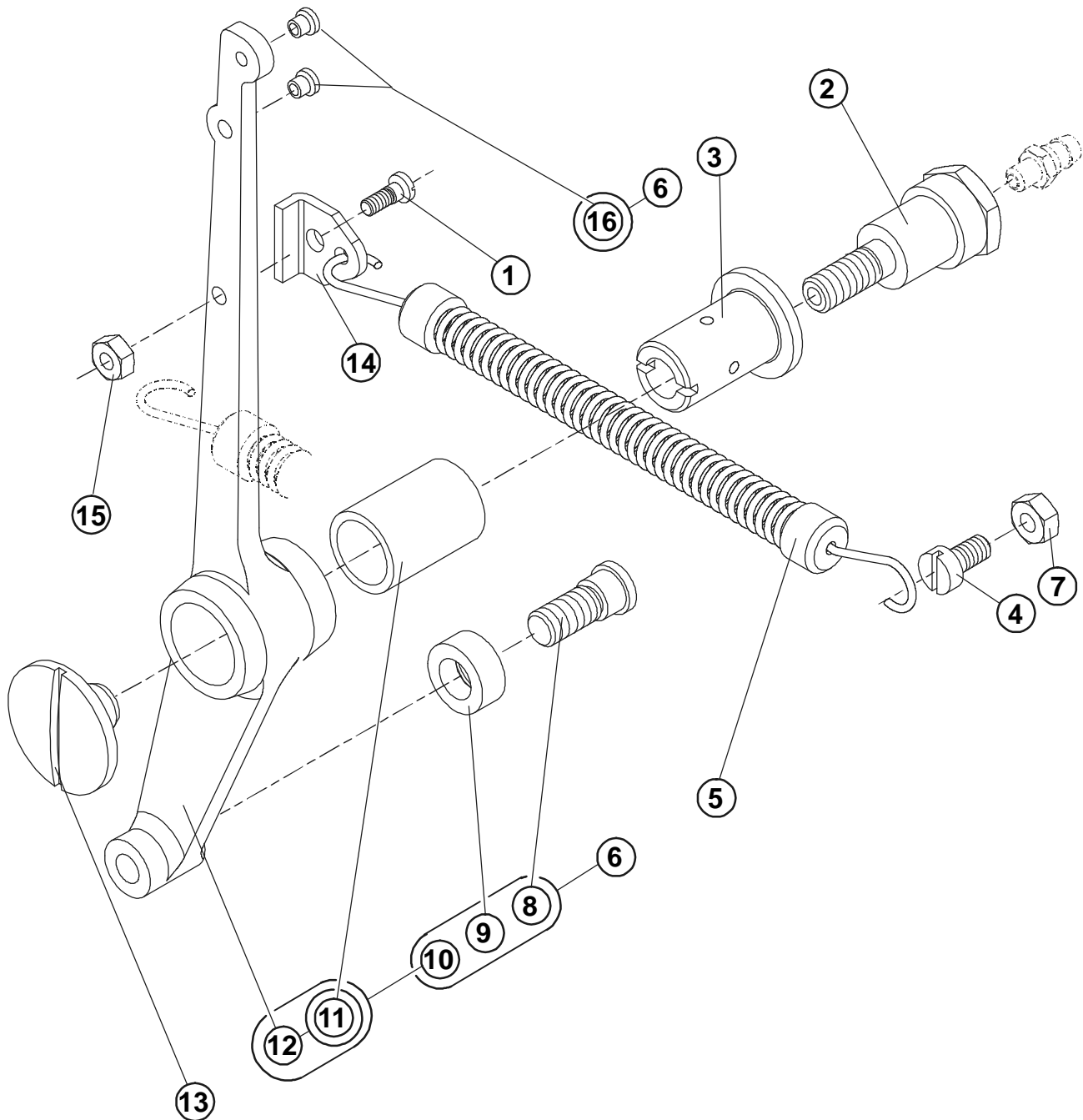
Revised 01/2007

E-mail: [service@amfreece.cz](mailto:service@amfreece.cz); [parts@amfreece.cz](mailto:parts@amfreece.cz); website: [www.amfreece.com](http://www.amfreece.com)

Phones: +420 582 309 146 (Service), +420 582 309 286 (Spare Parts); Fax: +420 582 360 606



# TAKE-UP LEVER



Revised 01/2007

E-mail: [service@amfreece.cz](mailto:service@amfreece.cz); [parts@amfreece.cz](mailto:parts@amfreece.cz); website: [www.amfreece.com](http://www.amfreece.com)

Phones: +420 582 309 146 (Service), +420 582 309 286 (Spare Parts); Fax: +420 582 360 606



## TAKE-UP LEVER

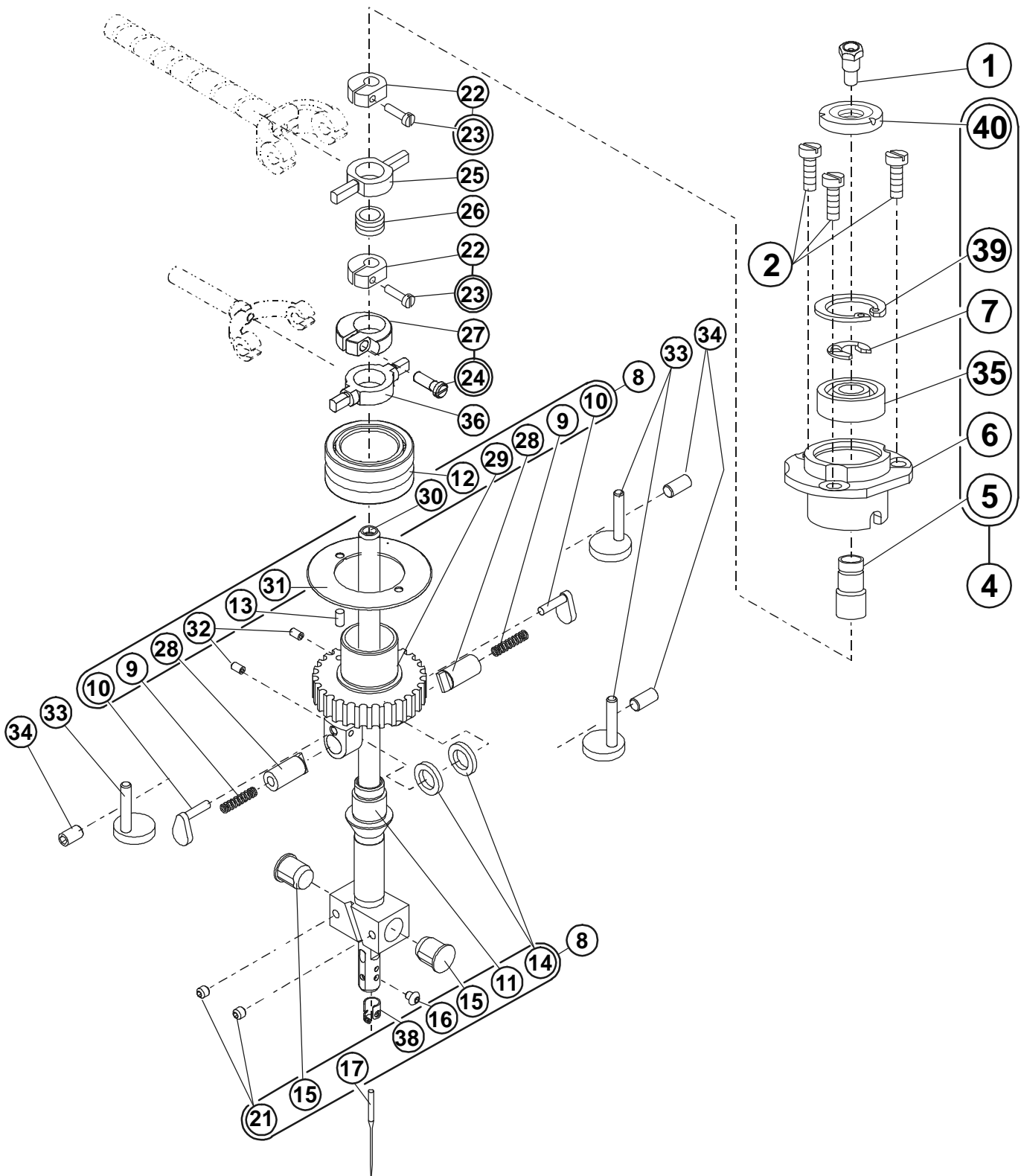
DET	PART NUMBER	DESCRIPTION	QTY.
01	08.6032.3.008	Screw	1
02	19.0014.3.404	Screw	1
03	19.0033.8.403	Stud	1
04	08.6000.4.020	Screw	1
05	19.0026.3.400	Spring	1
06	19.0002.8.104	Take-Up Lever Assembly	1
07	08.6700.4.000	Nut	1
08	19.0033.2.401	Screw	(2)
09	17.0041.8.152	Roll	(1)
10	19.0063.3.400	Take-Up Lever	(1)
11	12.2080.0.002	Bushing	((1))
12	—————	Part Of Assembly Only 19.0063.3.400	● (1)
13	17.0015.3.022	Screw	1
14	19.0082.3.461	Spring Holder	1
15	08.6700.3.000	Nut	1
16	—————	Bushing, Thread Lever	(2)

Revised 01/2007

E-mail: [service@amfreece.cz](mailto:service@amfreece.cz); [parts@amfreece.cz](mailto:parts@amfreece.cz); website: [www.amfreece.com](http://www.amfreece.com)

Phones: +420 582 309 146 (Service), +420 582 309 286 (Spare Parts); Fax: +420 582 360 606

# NEEDLE BAR AND GEAR



Revised 01/2007

E-mail: [service@amfreece.cz](mailto:service@amfreece.cz); [parts@amfreece.cz](mailto:parts@amfreece.cz); website: [www.amfreece.com](http://www.amfreece.com)

Phones: +420 582 309 146 (Service), +420 582 309 286 (Spare Parts); Fax: +420 582 360 606

## NEEDLE BAR AND GEAR

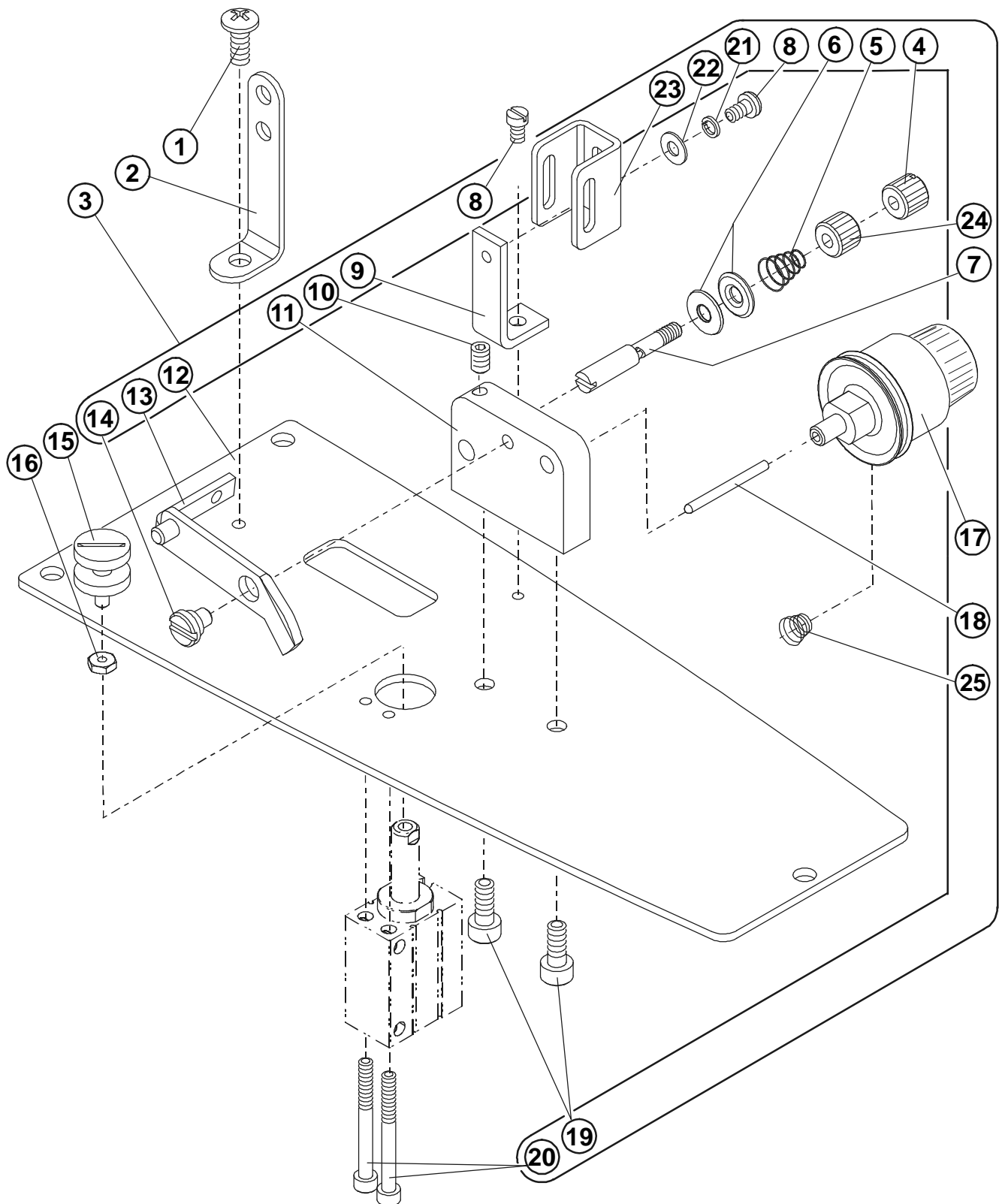
DET	PART NUMBER	DESCRIPTION	QTY.
01	14.1032.3.000	Bushing	1
02	08.6012.4.010	Screw	3
03			
04	19.0002.4.402	Needle Bar Guide Assembly	1
05	17.0042.1.283	Bushing	(1)
06	19.0044.5.403	Bushing	(1)
07	17.0027.4.035	Retaining Ring	(1)
08	19.0002.1.403	Needle Bushing Assembly	1
09	01.5003.0.000	Spring	(2)
10	10.1021.2.000	Retainer Spring	(2)
11	19.0041.6.401	Block	(1)
12	12.2050.1.010	Bushing	1
13	17.0031.0.359	Pin 3x6	(1)
14	17.0019.1.062	Retainer Washer	(2)
15	14.1025.3.000	Needle Bar Button	(2)
16	19.0011.1.401	Screw	(1)
17	02.0558.0.111	Needle	1
18			
19			
20			
21	18.0011.2.400	Screw	(2)
22	17.0043.6.277	Clamp Nut Kit	● 2
23	17.0012.0.120	Screw	(2)
24	17.0012.0.543	Screw	(1)
25	19.0045.3.402	Gimbal	1
26	19.0041.0.692	Bushing	1
27	17.0043.6.351	Adjustable Collar	● 1
28	17.0031.3.027	Guide	(1)
29	19.0055.4.403	Needle Bar Gear	● (1)
30	14.1028.4.000	Needle Bar	(1)
31	19.0019.0.687	Washer	(1)
32	08.6400.3.005	Screw M3x5	(2)
33	19.0033.8.406	Retainer	3
34	08.6400.4.010	Screw	3
35	12.2010.1.001	Bushing 108	(1)
36	19.0045.3.400	Gimbal Head	1
37			
38	19.0082.1.406	Thread Guide	(1)
39	12.1040.1.001	Ring	(1)
40	17.0044.2.229	Washer	(1)

Revised 01/2007

E-mail: service@amfreece.cz; parts@amfreece.cz; website: www.amfreece.com

Phones: +420 582 309 146 (Service), +420 582 309 286 (Spare Parts); Fax: +420 582 360 606

# THREAD RELEASE



Revised 01/2007

E-mail: [service@amfreece.cz](mailto:service@amfreece.cz); [parts@amfreece.cz](mailto:parts@amfreece.cz); website: [www.amfreece.com](http://www.amfreece.com)

Phones: +420 582 309 146 (Service), +420 582 309 286 (Spare Parts); Fax: +420 582 360 606

## THREAD RELEASE

DET	PART NUMBER	DESCRIPTION	QTY.
01	08.6032.4.008	Screw M4x8	1
02	05.0043.1.000	Thread Smoother	1
03	19.0002.5.412	Thread Release Assembly	1
04	19.0017.2.403	Nut	(1)
05	17.0026.2.054	Spring	(1)
06	17.0082.8.017	Tension Disc	(2)
07	19.0011.8.404	Stud	(1)
08	08.6012.3.006	Screw M3x6	(2)
09	19.0082.1.410	Guide	(1)
10	08.6400.4.005	Screw M4x5	(1)
11	19.0064.6.504	Block	(1)
12	19.0081.5.459	Cover	(1)
13	19.0082.2.531	Lever	(1)
14	24.0061.0.000	Thread Take-Up Shoulder Screw	(1)
15	19.0033.2.408	Stud	(1)
16	08.6700.3.000	Nut	(1)
17	23.2044.0.050	Tension Assembly, Large <span style="float: right;">●●●</span>	(1)
18	10.1010.3.000	Pin	(1)
19	08.6000.4.010	Screw M4x10	(2)
20	08.6000.3.030	Screw M3x30	(2)
21	08.6852.3.000	Washer	(1)
22	08.6802.3.000	Spring Washer	(1)
23	19.0082.1.409	Guide	(1)
24	19.0017.2.404	Nut	(1)
25	17.0026.2.072	Spring	1
07*	19.0011.8.406	Stud	1

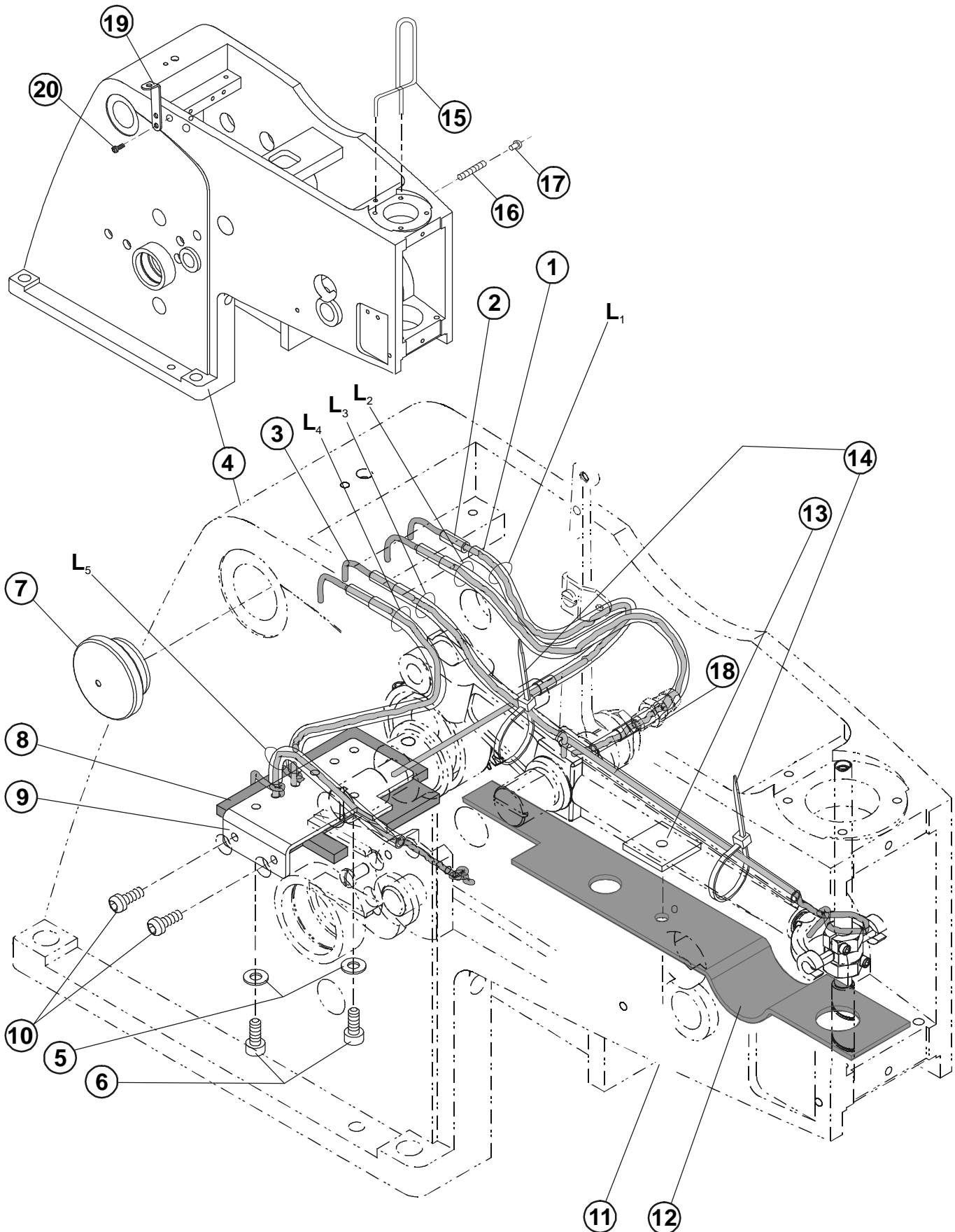
\* RDE only

Revised 01/2007

E-mail: [service@amfreece.cz](mailto:service@amfreece.cz); [parts@amfreece.cz](mailto:parts@amfreece.cz); website: [www.amfreece.com](http://www.amfreece.com)

Phones: +420 582 309 146 (Service), +420 582 309 286 (Spare Parts); Fax: +420 582 360 606

# HEAD AND LUBRICATION



Revised 01/2007

E-mail: [service@amfreece.cz](mailto:service@amfreece.cz); [parts@amfreece.cz](mailto:parts@amfreece.cz); website: [www.amfreece.com](http://www.amfreece.com)

Phones: +420 582 309 146 (Service), +420 582 309 286 (Spare Parts); Fax: +420 582 360 606

## HEAD AND LUBRICATION

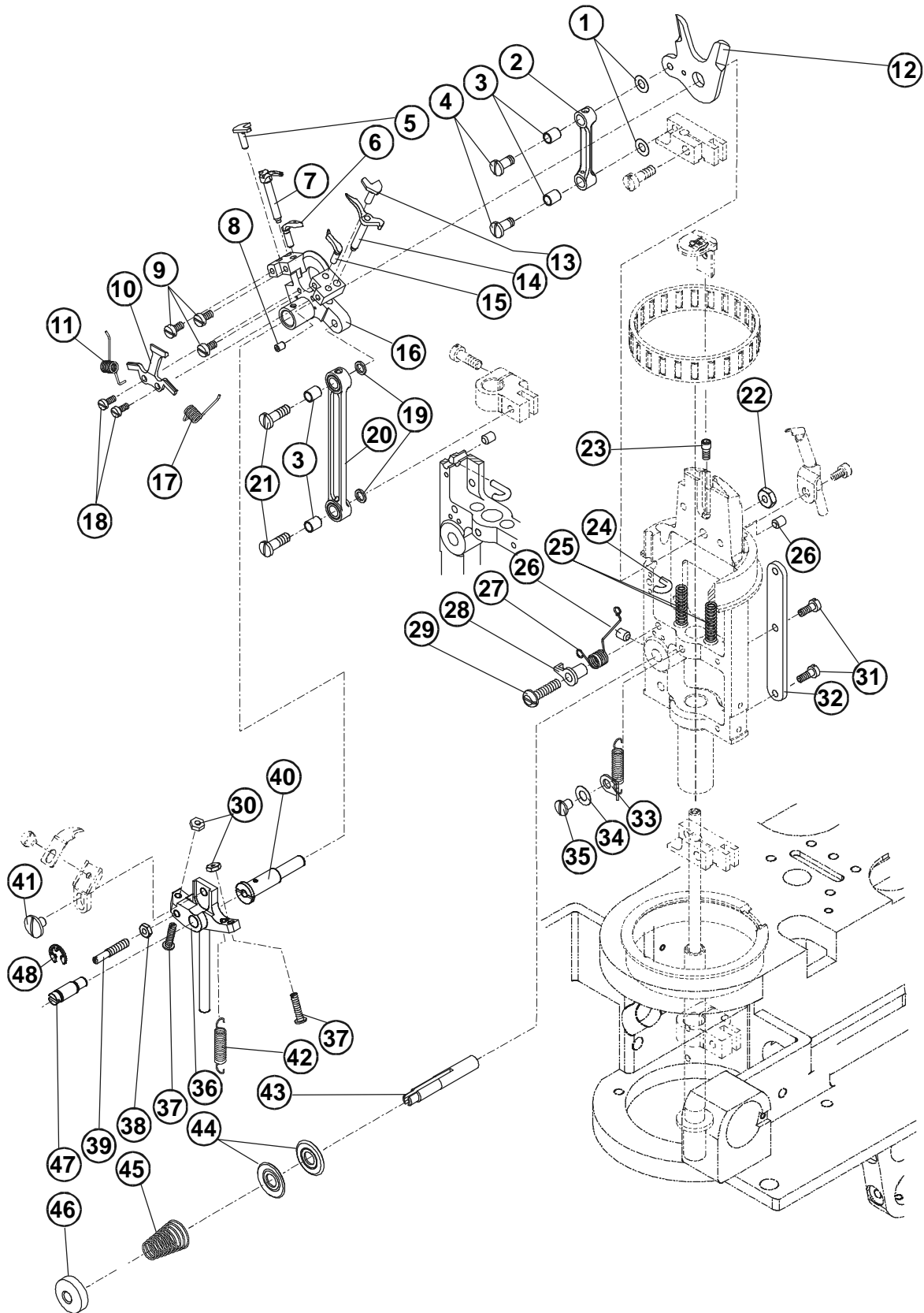
DET	PART NUMBER	DESCRIPTION	QTY.
01	19.0094.2.412	Oil Tube <div style="display: flex; justify-content: space-between; margin-top: 5px;"> <span>L<sub>1</sub> = 150 mm</span> <span>●●●</span> </div> <div style="display: flex; justify-content: space-between; margin-top: 5px;"> <span>L<sub>2</sub> = 150 mm</span> </div> <div style="display: flex; justify-content: space-between; margin-top: 5px;"> <span>L<sub>3</sub> = 225 mm</span> </div> <div style="display: flex; justify-content: space-between; margin-top: 5px;"> <span>L<sub>4</sub> = 180 mm</span> </div> <div style="display: flex; justify-content: space-between; margin-top: 5px;"> <span>L<sub>5</sub> = 120 mm</span> </div>	1
02	19.0094.2.409	Joint PM <span style="float: right;">●●●</span>	7
03	19.0094.5.412	Wick <div style="display: flex; justify-content: space-between; margin-top: 5px;"> <span>L<sub>1</sub> = 400 mm</span> <span>●●●</span> </div> <div style="display: flex; justify-content: space-between; margin-top: 5px;"> <span>L<sub>2</sub> = 400 mm</span> </div> <div style="display: flex; justify-content: space-between; margin-top: 5px;"> <span>L<sub>3</sub> = 550 mm</span> </div> <div style="display: flex; justify-content: space-between; margin-top: 5px;"> <span>L<sub>4</sub> = 450 mm</span> </div> <div style="display: flex; justify-content: space-between; margin-top: 5px;"> <span>L<sub>5</sub> = 200 mm</span> </div>	1
04	19.0071.3.403	Head	1
05	08.6000.4.010	Screw	2
06	08.6850.4.000	Washer	2
07	17.0095.1.329	Oil Indicator <span style="float: right;">●●●</span>	1
08	19.0094.5.402	Felt <span style="float: right;">●●●</span>	1
09	19.0082.3.407	Plate	1
10	08.6200.4.008	Screw	2
11	08.6000.4.020	Screw	1
12	19.0094.5.401	Felt <span style="float: right;">●●●</span>	1
13	19.0081.5.415	Plate	1
14	12.0008.3.023	Ty-wrap	2
15	17.0027.1.419	Guard	1
16	08.6400.4.010	M4x10 Screw	1
17	12.0008.4.570	Plug	1
18	19.0044.1.623	Nipple	1
19	05.0043.1.000	Thread Smoother	1
20	08.6032.4.008	Screw	1

Revised 01/2007

E-mail: [service@amfreece.cz](mailto:service@amfreece.cz); [parts@amfreece.cz](mailto:parts@amfreece.cz); website: [www.amfreece.com](http://www.amfreece.com)

Phones: +420 582 309 146 (Service), +420 582 309 286 (Spare Parts); Fax: +420 582 360 606

# RACE



Revised 01/2007

E-mail: [service@amfreece.cz](mailto:service@amfreece.cz); [parts@amfreece.cz](mailto:parts@amfreece.cz); website: [www.amfreece.com](http://www.amfreece.com)

Phones: +420 582 309 146 (Service), +420 582 309 286 (Spare Parts); Fax: +420 582 360 606



## RACE

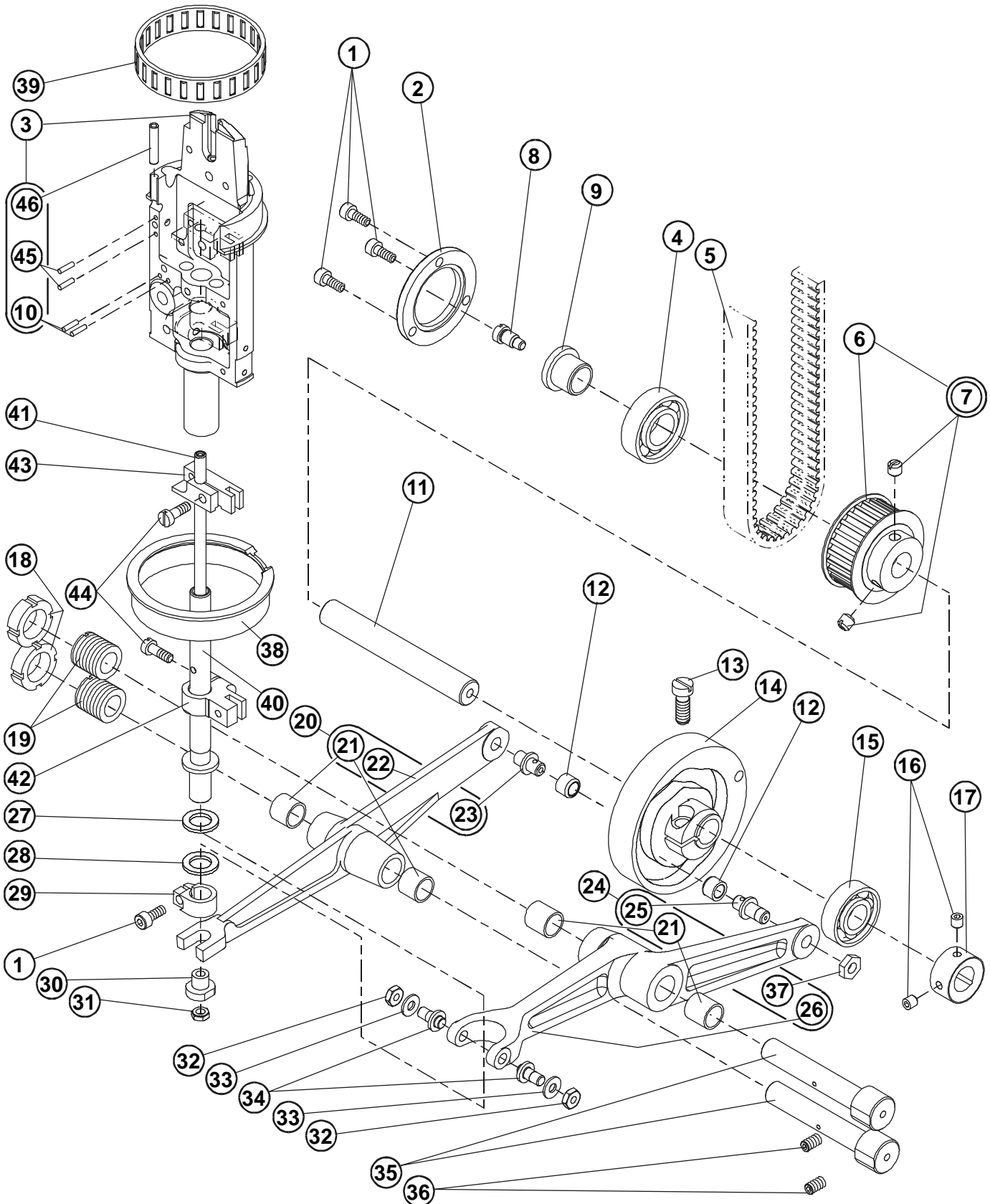
DET	PART NUMBER	DESCRIPTION	QTY.
01	17.0019.0.228	Washer	2
02	19.0063.1.073	Spreader Link	1
03	17.0041.1.094	Roll	4
04	17.0012.1.140	Screw	2
05	19.0033.8.407	L.H. Spreader Stop	1
06	17.0069.4.049	Eye Looper 0,8	1
07	17.0004.9.895	Forked Spreader	1
08	08.6400.3.004	Screw	1
09	08.6010.3.005	Screw	3
10	10.4010.2.000	Needle Guard	1
11	01.5620.0.000	L.H. Spring	1
12	18.0081.8.706	Spreader Wedge	1
13	19.0033.8.408	R.H. Spreader Stop	1
14	17.0004.9.894	R.H. Spreader	1
15	17.0069.4.048	Blind Looper	1
16	19.0074.4.542	Looper Carrier	1
17	01.5619.0.000	R.H. Spring	1
18	17.0012.0.404	Screw	2
19	17.0019.1.088	Washer	2
20	17.0004.4.829	Looper Link	1
21	17.0012.1.142	Screw	2
22	08.6700.5.000	Nut	1
23	17.0012.2.400	Screw	1
24	19.0027.1.615	Thread Guide	1
25	17.0026.0.215	Spring	2
26	08.6400.4.005	Screw	2
27	17.0026.4.035	Spring	1
28	17.0064.7.162	Plate	1
29	08.6200.4.012	Screw	1
30	08.6700.3.000	Nut	2
31	08.6000.3.008	Screw	2
32	17.0081.5.082	Bracket	1
33	17.0082.5.235	Plate	1
34	08.6850.4.000	Washer	1
35	17.0012.4.105	Screw	1
36	19.0005.2.214	Lever	1
37	17.0013.6.081	Screw	2
38	17.0016.1.214	Nut	1
39	19.0011.0.400	Screw	1
40	19.0033.5.404	Looper Carrier Stud	1
41	17.0012.4.106	Screw	1
42	17.0026.3.173	Spring	1
43	19.0011.8.405	Stud	1
44	17.0082.8.083	Tension Plate	2
45	17.0026.2.400	Spring	1
46	17.0017.1.059	Nut	1
47	19.0033.1.405	Stud	1
48	12.1045.0.004	E-Clip	1

Revised 01/2007

E-mail: [service@amfreece.cz](mailto:service@amfreece.cz); [parts@amfreece.cz](mailto:parts@amfreece.cz); website: [www.amfreece.com](http://www.amfreece.com)

Phones: +420 582 309 146 (Service), +420 582 309 286 (Spare Parts); Fax: +420 582 360 606

# STITCH SHAFT AND DRIVE



Revised 01/2007

E-mail: [service@amfreece.cz](mailto:service@amfreece.cz); [parts@amfreece.cz](mailto:parts@amfreece.cz); website: [www.amfreece.com](http://www.amfreece.com)  
 Phones: +420 582 309 146 (Service), +420 582 309 286 (Spare Parts); Fax: +420 582 360 606

## STITCH SHAFT AND DRIVE

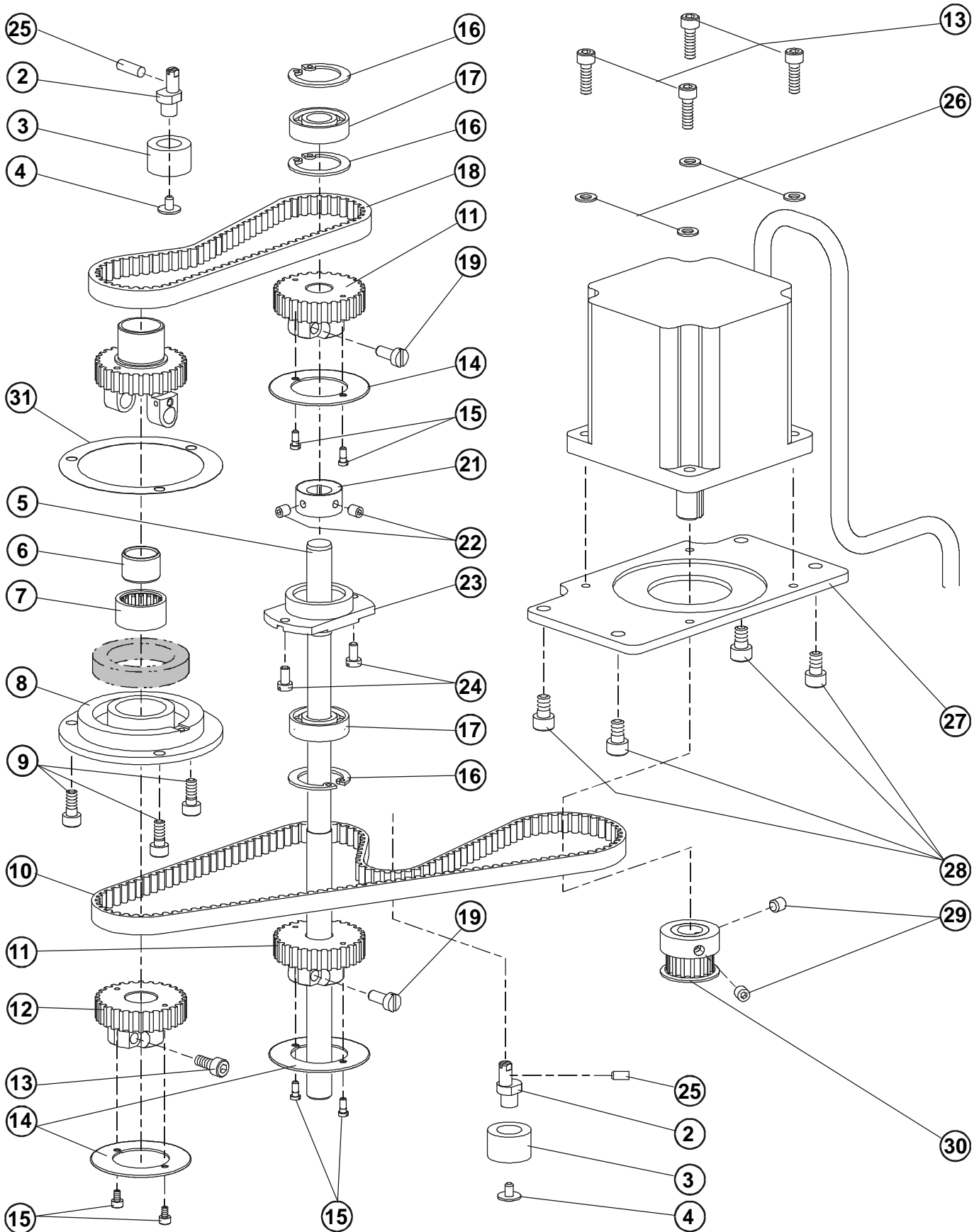
DET	PART NUMBER	DESCRIPTION	QTY.
01	08.6000.4.010	Screw	4
02	19.0044.5.401	Flange	1
03	19.0071.7.404	Race	● 1
04	12.2010.0.021	Bushing	1
05	See Page 3-2	Timing Belt	—
06	19.0055.4.421	Gear	● 1
07	08.6400.6.006	Screw	(2)
08	17.0013.2.090	Screw	1
09	19.0042.2.400	Bushing	1
10	17.0031.0.406	Pin	(2)
11	19.0034.0.409	Shaft	1
12	19.0041.8.401	Roll	2
13	17.0012.0.113	Screw	1
14	19.0067.4.401	Cam	1
15	12.2010.0.011	Bushing	1
16	08.6400.5.305	Screw	2
17	17.0043.6.018	Set Screw Collar	1
18	19.0016.3.403	Nut	2
19	19.0013.6.400	Thread Insert	2
20	19.0063.6.442	Spreader Rocker	1
21	19.0041.0.693	Bushing	●● (4)
22	—————	Part Of Assembly Only 19.0063.6.442	● (1)
23	—————	Part Of Assembly Only 19.0063.6.442	(1)
24	19.0063.6.443	Lever, Looper	1
25	19.0033.3.401	Stud	(1)
26	—————	Part Of Assembly Only 19.0063.6.443	● (1)
27	19.0019.0.686	Washer	1
28	17.0019.0.398	Washer	1
29	19.0043.6.441	Looper Drive Shaft Collar	1
30	19.0041.2.404	Roll	1
31	17.0027.4.045	Ring Clip	1
32	08.6710.5.000	Nut	2
33	08.6850.5.000	Washer	2
34	17.0033.3.131	Stud	2
35	19.0032.6.401	Shaft	2
36	08.6400.5.008	Screw	2
37	17.0016.1.094	Nut	(1)
38	19.0042.1.406	Bushing	1
39	12.2050.0.008	Bushing	1
40	19.0034.6.402	Shaft	1
41	19.0034.6.403	Shaft	1
42	17.0074.4.405	Clamp	1
43	18.0064.6.427	Clamp	● 1
44	08.6010.4.012	Screw	2
45	19.0031.3.407	Pin	(2)
46	19.0084.1.613	Tube	(1)

Revised 01/2007

E-mail: [service@amfreece.cz](mailto:service@amfreece.cz); [parts@amfreece.cz](mailto:parts@amfreece.cz); website: [www.amfreece.com](http://www.amfreece.com)

Phones: +420 582 309 146 (Service), +420 582 309 286 (Spare Parts); Fax: +420 582 360 606

# TURNING MECHANISM



Revised 01/2007

E-mail: [service@amfreece.cz](mailto:service@amfreece.cz); [parts@amfreece.cz](mailto:parts@amfreece.cz); website: [www.amfreece.com](http://www.amfreece.com)  
 Phones: +420 582 309 146 (Service), +420 582 309 286 (Spare Parts); Fax: +420 582 360 606

## TURNING MECHANISM

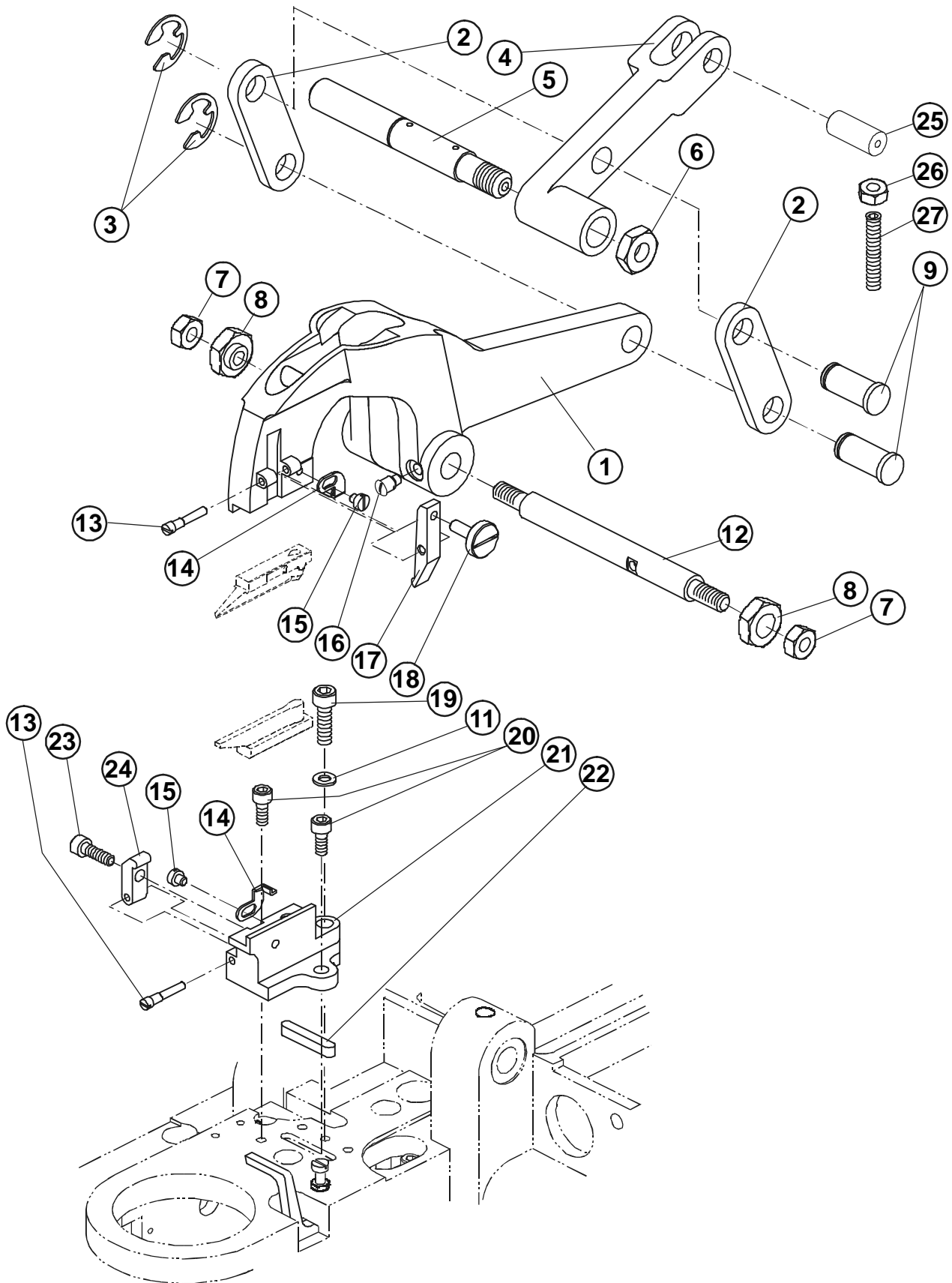
DET	PART NUMBER	DESCRIPTION	QTY.
01			
02	19.0033.8.401	Tension Pulley Shaft	2
03	19.0041.0.683	Roll ●●●	2
04	17.0012.4.070	Screw	2
05	19.0034.1.401	Shaft	1
06	12.2099.1.009	Bearing	1
07	12.2050.1.007	Bearing	1
08	19.0042.5.401	Flange	1
09	08.6000.5.012	Screw	3
10	12.5050.2.013	Timing Belt ●●●	1
11	19.0055.4.407	Cear ●	2
12	19.0055.4.406	Gear ●	1
13	08.6000.5.016	Screw	5
14	19.0019.0.682	Washer	3
15	08.6000.3.005	Screw	6
16	12.1040.1.002	Retaining Ring	3
17	12.2010.0.011	Bearing	2
18	12.5050.2.006	Timing Belt ●●●	1
19	08.6010.5.016	Screw	2
21	17.0043.6.018	Set Screw Collar	1
22	08.6400.5.305	Screw	2
23	19.0044.5.402	Flange	1
24	17.0012.0.218	Screw	2
25	08.6400.4.008	Screw	2
26	08.6850.5.000	Washer	4
27	19.0081.5.461	Plate	1
28	08.6000.6.012	Screw	4
29	08.6400.6.006	Screw	2
30	19.0055.4.419	Gear Assembly ●	1
31	19.0019.6.405	Washer	2

Revised 01/2007

E-mail: [service@amfreece.cz](mailto:service@amfreece.cz); [parts@amfreece.cz](mailto:parts@amfreece.cz); website: [www.amfreece.com](http://www.amfreece.com)

Phones: +420 582 309 146 (Service), +420 582 309 286 (Spare Parts); Fax: +420 582 360 606

# CUTTING LEVER ASSEMBLY



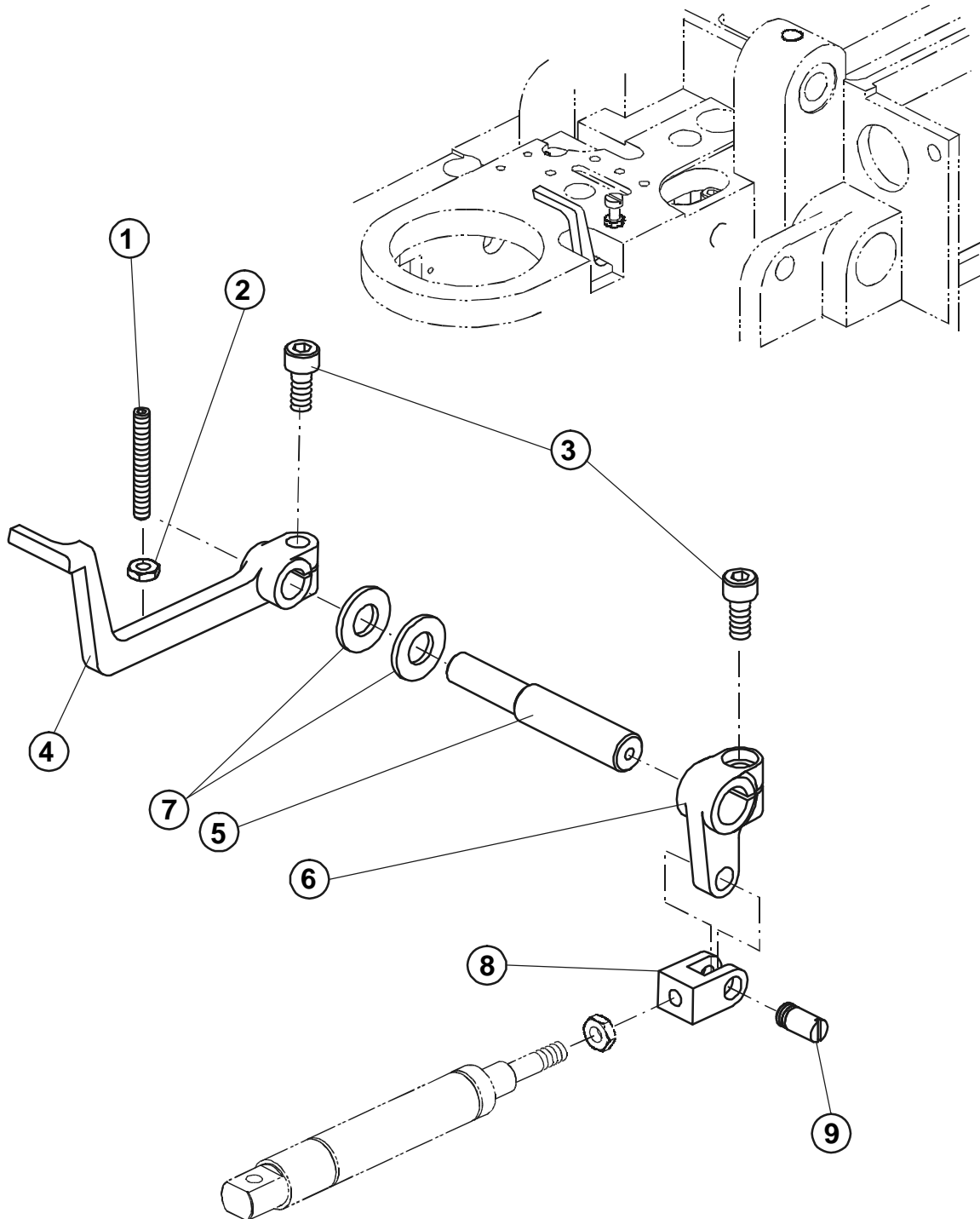
Revised 01/2007

E-mail: [service@amfreece.cz](mailto:service@amfreece.cz); [parts@amfreece.cz](mailto:parts@amfreece.cz); website: [www.amfreece.com](http://www.amfreece.com)  
 Phones: +420 582 309 146 (Service), +420 582 309 286 (Spare Parts); Fax: +420 582 360 606

## CUTTING LEVER ASSEMBLY

DET	PART NUMBER	DESCRIPTION	QTY.
01	19.0063.5.416	Cutting Lever	1
02	19.0081.0.516	Draw Bar	2
03	12.1045.1.001	Retaining Ring	2
04	19.0063.5.417	Lever	1
05	19.0034.2.403	Shaft	1
06	08.6710.9.500	Nut	1
07	08.6710.8.400	Nut	2
08	19.0017.4.400	Nut	2
09	19.0032.8.405	Pivot	2
11	08.6850.5.000	Washer	1
12	19.0034.7.400	Shaft	1
13	17.0013.1.415	Screw	2
14	17.0082.5.997	Clamp	2
15	17.0012.0.571	Screw	2
16	17.0011.2.063	Screw	1
17	19.0063.6.456	Knife Holder	1
18	17.0013.4.027	Screw	1
19	08.6000.5.020	Screw	1
20	08.6000.5.012	Screw	2
21	19.0074.4.527	Knife Holder	1
22	17.0021.1.073	Key	1
23	08.6000.5.016	Screw	1
24	19.0063.6.445	Knife Clamp	1
25	19.0031.1.400	Pin	1
26	08.6700.5.000	Nut	1
27	08.6400.5.030	Screw	1

# KNIFE DRIVE



Revised 01/2007

E-mail: [service@amfreece.cz](mailto:service@amfreece.cz); [parts@amfreece.cz](mailto:parts@amfreece.cz); website: [www.amfreece.com](http://www.amfreece.com)  
Phones: +420 582 309 146 (Service), +420 582 309 286 (Spare Parts); Fax: +420 582 360 606



**KNIFE DRIVE**

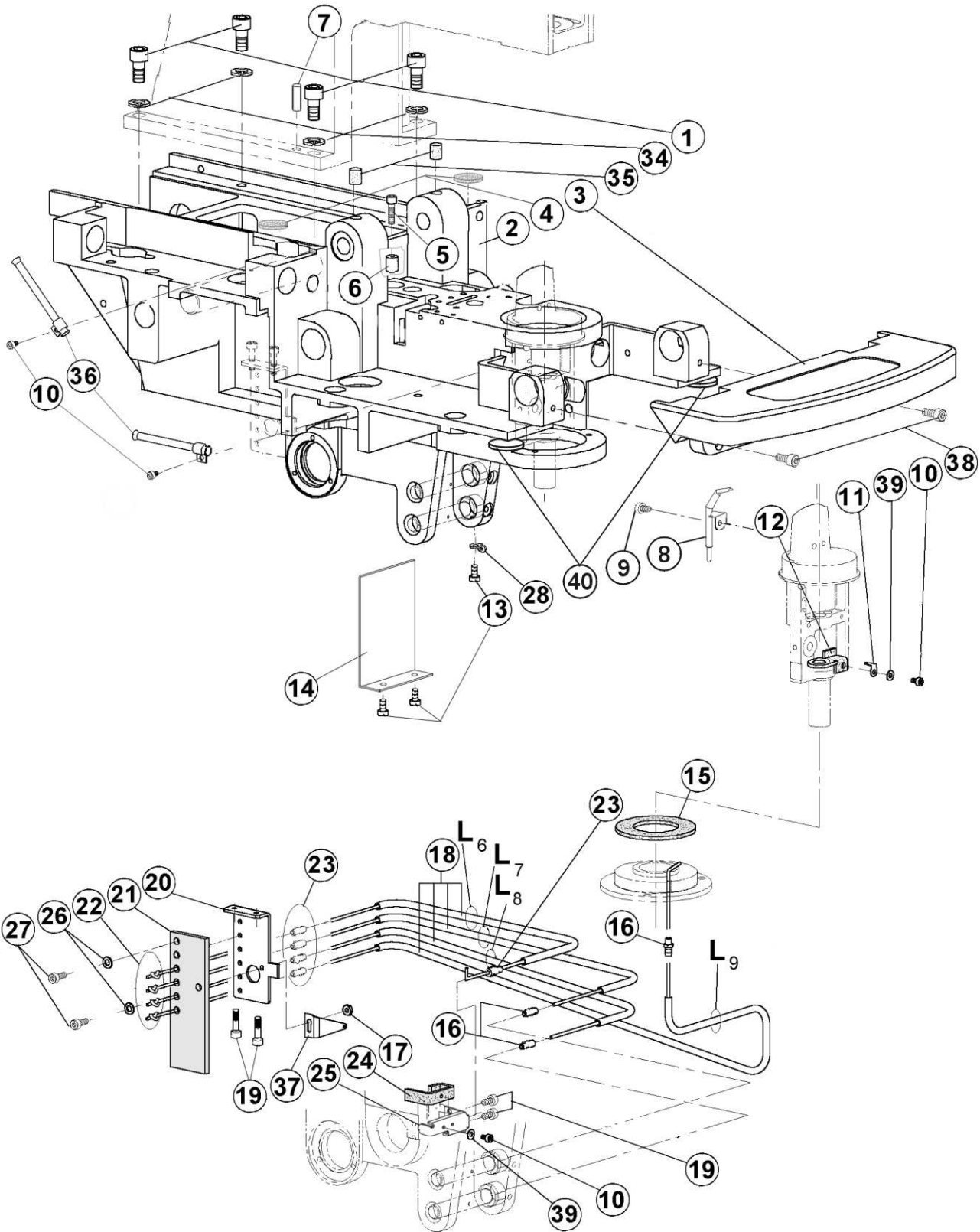
DET	PART NUMBER	DESCRIPTION	QTY.
01	08.6400.4.030	Screw	1
02	08.6700.4.000	Nut	1
03	08.6000.5.012	Screw	2
04	19.0061.3.610	Lever	1
05	19.0034.2.402	Shaft	1
06	19.0061.3.601	Lever	1
07	08.6850.8.000	Washer	2
08	19.0064.8.435	Knuckle	1
09	19.0011.0.402	Plug	1
10	08.6702.4.000	Nut	1

Revised 01/2007

E-mail: [service@amfreece.cz](mailto:service@amfreece.cz); [parts@amfreece.cz](mailto:parts@amfreece.cz); website: [www.amfreece.com](http://www.amfreece.com)

Phones: +420 582 309 146 (Service), +420 582 309 286 (Spare Parts); Fax: +420 582 360 606

# LUBRICATION MECHANISM



Revised 01/2007

E-mail: [service@amfreece.cz](mailto:service@amfreece.cz); [parts@amfreece.cz](mailto:parts@amfreece.cz); website: [www.amfreece.com](http://www.amfreece.com)

Phones: +420 582 309 146 (Service), +420 582 309 286 (Spare Parts); Fax: +420 582 360 606

## LUBRICATION MECHANISM

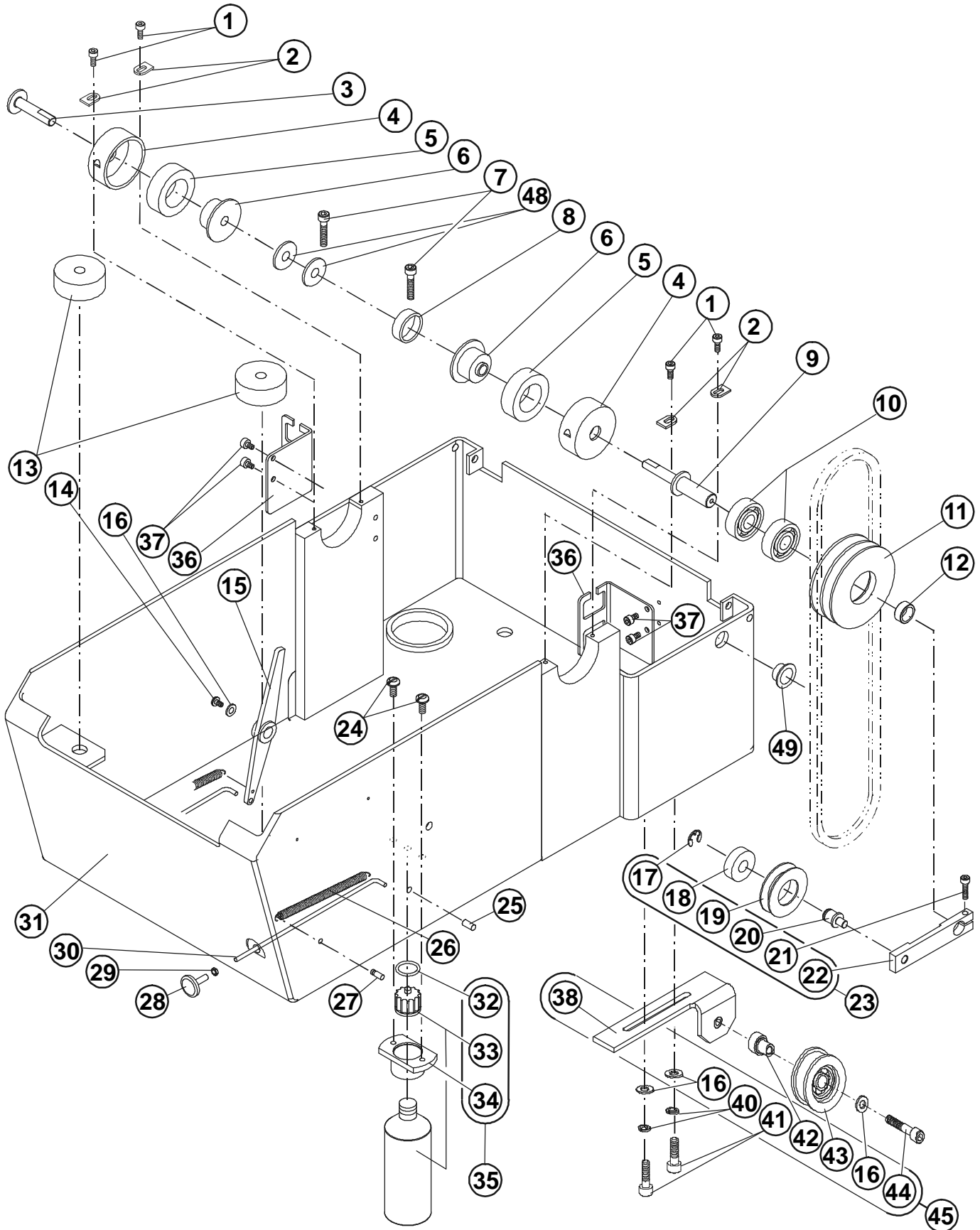
DET	PART NUMBER	DESCRIPTION	QTY.
01	08.6000.8.020	Screw	4
02	19.0071.0.204	Base	1
03	19.0074.6.216	Cover	1
04	19.0094.5.413	Felt	2
05	08.6000.4.020	Screw	1
06	13.2087.1.000	Bumper	1
07	19.0031.8.414	Pin	2
08	19.0002.5.409	Guide Asembly	1
09	08.6010.4.010	Screw	1
10	08.6000.3.005	Screw	4
11	19.0082.3.411	Plate	1
12	19.0094.5.407	Felt	1
13	08.6200.4.008	Screw	3
14	19.0083.1.681	Cover	1
15	19.0094.5.406	Felt	1
16	19.0044.1.623	Nipple	3
17	08.6710.4.000	Nut	1
18	19.0094.2.412	Oil Tube L <sub>6</sub> =220mm L <sub>7</sub> =280mm L <sub>8</sub> =265mm L <sub>9</sub> =380mm	1 See Page 3-14
19	08.6000.4.005	Screw	4
20	19.0082.3.453	Plate	1
21	19.0094.5.405	Felt	1
22	19.0094.5.412	Wick L <sub>6</sub> =360mm L <sub>7</sub> =350mm L <sub>8</sub> =420mm L <sub>9</sub> =450mm	1 See Page 3-14
23	19.0094.2.409	Joint PM	5
24	19.0094.5.408	Felt	1
25	19.0082.3.450	Felt Holder	1
26	08.6850.4.000	Washer	2
27	08.6000.4.010	Screw	2
28	17.0027.1.106	Thread Guide	1
29			
30			
31			
32			
33			
34	08.6800.8.000	Spring Washer	4
35	17.0094.5.052	Felt	2
36	19.0002.5.411	Guide	2
37	05.0043.1.000	Bracket	1
38	08.6000.5.012	Screw	2
39	08.6850.3.000	Washer	2
40	19.0094.5.409	Felt	2

Revised 01/2007

E-mail: [service@amfreece.cz](mailto:service@amfreece.cz); [parts@amfreece.cz](mailto:parts@amfreece.cz); website: [www.amfreece.com](http://www.amfreece.com)

Phones: +420 582 309 146 (Service), +420 582 309 286 (Spare Parts); Fax: +420 582 360 606

# CASE



Revised 01/2007

E-mail: [service@amfreece.cz](mailto:service@amfreece.cz); [parts@amfreece.cz](mailto:parts@amfreece.cz); website: [www.amfreece.com](http://www.amfreece.com)  
Phones: +420 582 309 146 (Service), +420 582 309 286 (Spare Parts); Fax: +420 582 360 606

**CASE**

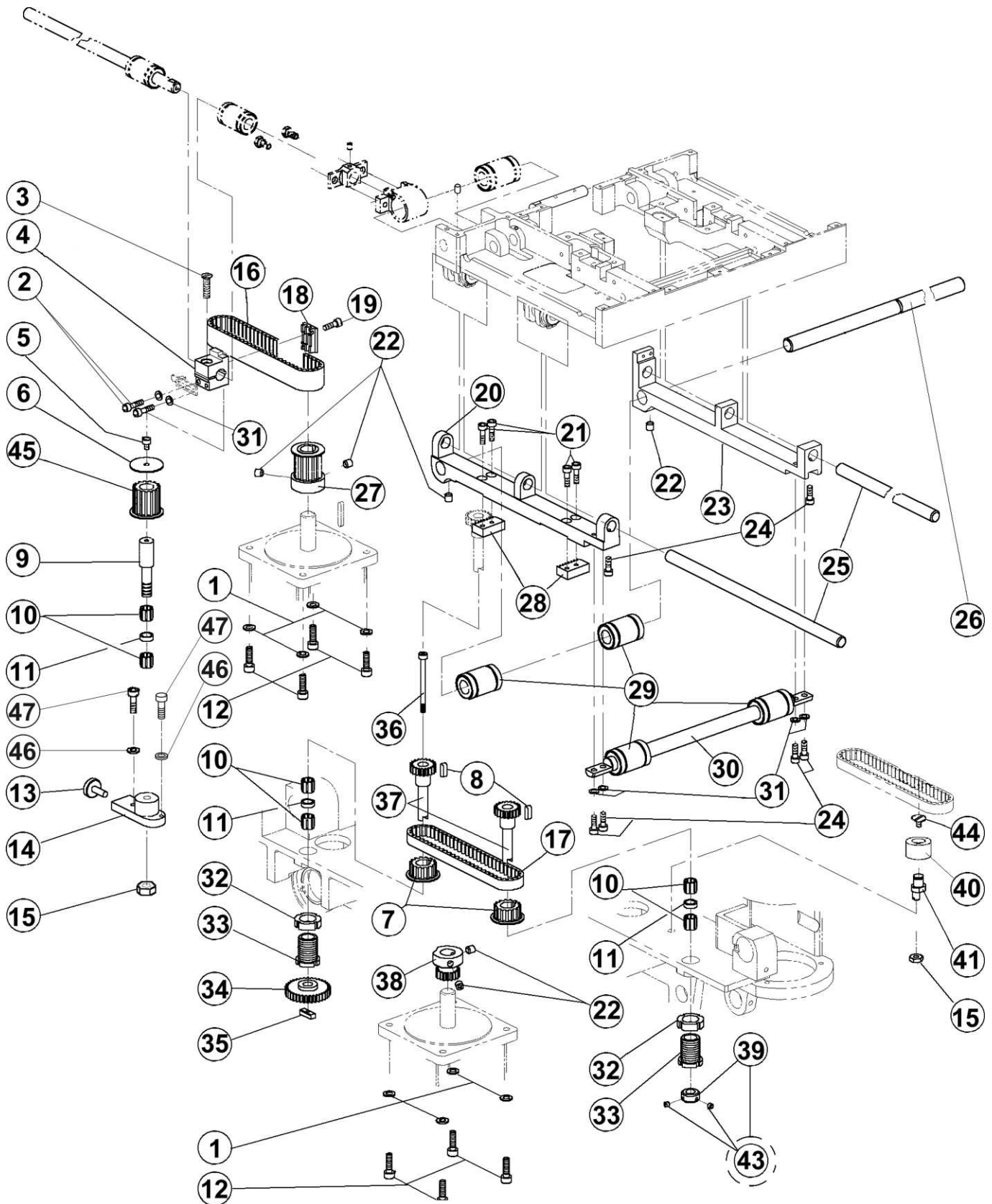
DET	PART NUMBER	DESCRIPTION	QTY.
01	08.6000.4.010	Screw	4
02	17.0081.5.047	Latch	4
03	19.0032.2.407	Shaft Left	1
04	19.0041.6.400	Bushing	2
05	19.0094.1.400	Ring	2
06	19.0095.1.402	Bearing	2
07	08.6000.5.020	Screw	2
08	19.0041.0.694	Bushing	1
09	19.0032.3.401	Shaft	1
10	12.2010.0.005	Bearing	2
11	18.0052.1.400	Pulley	1
12	18.0041.0.676	Collar	1
13	19.0095.1.405	Rubber	2
14	08.6200.5.006	Screw	1
15	19.0063.3.403	Head Support	1
16	08.6850.6.000	Washer	(3)
17	17.0027.4.085	Retaining Ring	(1)
18	12.2010.0.004	Bearing	(1)
19	18.0052.0.274	Idler Pulley	(1)
20	18.0032.3.198	Idler Pulley Pin	(1)
21	08.6000.4.016	Screw	(1)
22	18.0061.3.350	Idler Pulley Lever	(1)
23	18.0004.3.251	Idler Pulley	1
24	08.6200.5.012	Screw	2
25	12.1010.0.525	Pin	1
26	17.0026.3.014	Spring	1
27	17.0031.0.196	Pin	1
28	19.0017.2.402	Pushbutton	1
29	08.6700.3.000	Nut	1
30	19.0027.1.603	Rod	1
31	19.0072.4.404	Case	1
32	12.0008.6.812	O Ring	(1)
33	05.1322.0.000	Oil Can	(1)
34	19.0044.5.404	Holder Oil Can	(1)
35	19.0008.2.001	Oil Can Assembly	1
36	19.0082.3.433	Holder	2
37	08.6000.4.005	Screw	4
38	04.9000.0.444	Holder Roller	1
40	08.6800.6.000	Spring Washer	(2)
41	08.6310.6.016	Screw	(2)
42	04.9000.1.443	Bushing	(1)
43	04.9001.0.001	Roller	(1)
44	08.6850.6.000	Washer	(1)
45	08.6000.6.030	Screw	(1)
46	04.9001.1.050	Left Roller Assembly	1
48	08.6850.8.000	Washer	2
49	17.0042.1.279	Thread Guide	1

Revised 01/2007

E-mail: [service@amfreece.cz](mailto:service@amfreece.cz); [parts@amfreece.cz](mailto:parts@amfreece.cz); website: [www.amfreece.com](http://www.amfreece.com)

Phones: +420 582 309 146 (Service), +420 582 309 286 (Spare Parts); Fax: +420 582 360 606

# X-Y TABLE MOVEMENT



Revised 01/2007

E-mail: [service@amfreece.cz](mailto:service@amfreece.cz); [parts@amfreece.cz](mailto:parts@amfreece.cz); website: [www.amfreece.com](http://www.amfreece.com)

Phones: +420 582 309 146 (Service), +420 582 309 286 (Spare Parts); Fax: +420 582 360 606

## X-Y TABLE MOVEMENT

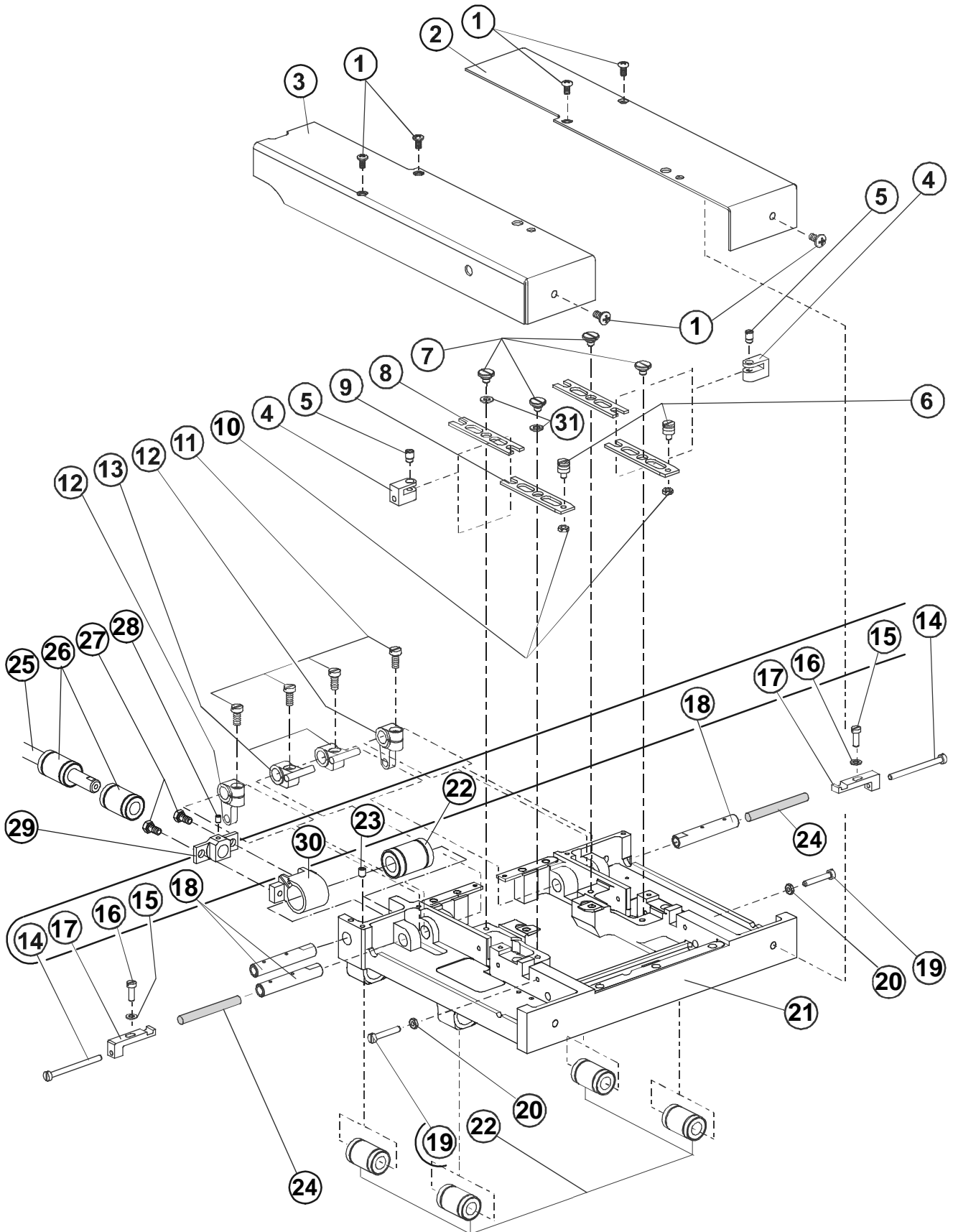
DET	PART NUMBER	DESCRIPTION	QTY.
01	08.6850.5.000	Washer	8
02	08.6000.4.008	Screw	2
03	08.6100.5.020	Screw	1
04	19.0062.7.410	Shaft Holder ●	1
05	08.6000.4.006	Screw	1
06	19.0019.0.685	Washer	1
07	19.0055.4.408	Timing Belt Pulley	2
08	17.0021.1.069	Key	2
09	19.0033.5.403	Shaft	1
10	12.2050.0.007	Bearing	6
11	19.0041.0.675	Distance Ring	3
12	08.6000.5.016	Screw	8
13	17.0013.4.027	Screw	1
14	19.0064.8.448	Holder Press Pulley	1
15	08.6700.6.300	Nut	2
16	12.5050.2.014	Timing Belt ●●●	1
17	12.5050.2.005	Timing Belt Stock ●●●	1
18	19.0064.7.432	Belt Clamp ●	1
19	08.6000.4.010	Screw	2
20	19.0074.4.523	Holder Shaft Left ●	1
21	08.6000.4.014	Screw	4
22	08.6400.6.006	Screw	6
23	19.0074.4.536	Holder Shaft Right ●	1
24	08.6000.4.012	Screw	6
25	19.0034.0.403	Shaft	2
26	19.0034.0.401	Shaft	1
27	19.0055.4.425	Gear Assembly	1
28	19.0058.1.400	Rack	2
29	12.2070.0.004	Linear Ball Bearing	4
30	19.0034.0.402	Shaft	1
31	08.6850.4.000	Washer	6
32	19.0016.3.403	Nut	2
33	19.0015.6.401	Screw	2
34	19.0055.1.402	Gear	1
35	19.0016.3.405	Key	1
36	19.0012.2.401	Screw	1
37	19.0055.5.400	Gear	2
38	19.0055.1.403	Gear	1
39	19.0043.6.046	Shaft Collar	1
40	19.0041.0.683	Roll ●●●	1
41	19.0033.8.401	Tension Pulley Shaft	1
43	08.6400.4.004	Screw	(2)
44	17.0012.4.070	Screw	1
45	19.0055.4.424	Gear	1
46	08.6842.5.000	Washer	2
47	08.6200.5.020	Screw	2

Revised 01/2007

E-mail: [service@amfreece.cz](mailto:service@amfreece.cz); [parts@amfreece.cz](mailto:parts@amfreece.cz); website: [www.amfreece.com](http://www.amfreece.com)

Phones: +420 582 309 146 (Service), +420 582 309 286 (Spare Parts); Fax: +420 582 360 606

# BED PLATE ASSEMBLY



Revised 01/2007

E-mail: [service@amfreece.cz](mailto:service@amfreece.cz); [parts@amfreece.cz](mailto:parts@amfreece.cz); website: [www.amfreece.com](http://www.amfreece.com)  
 Phones: +420 582 309 146 (Service), +420 582 309 286 (Spare Parts); Fax: +420 582 360 606



## BED PLATE ASSEMBLY

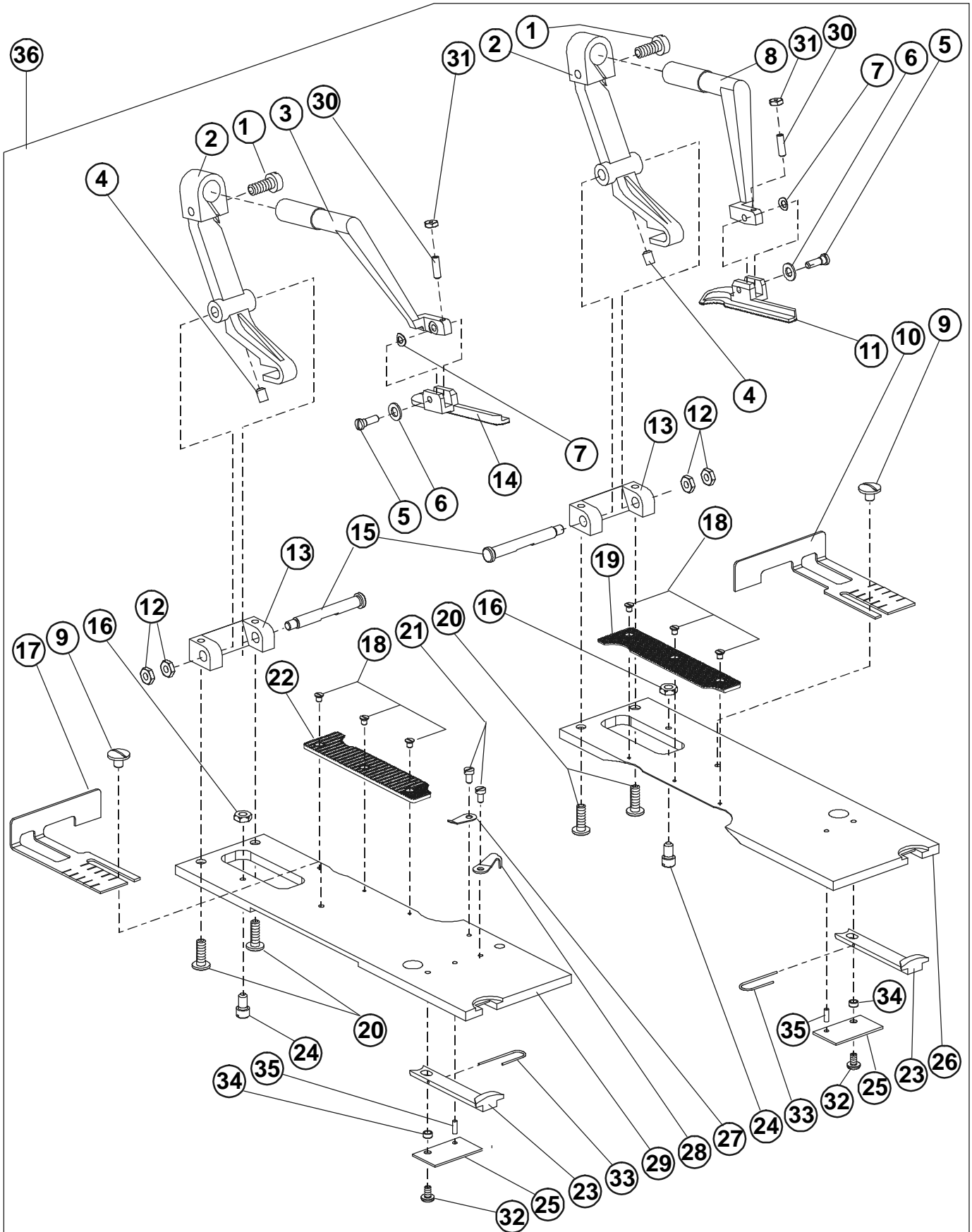
DET	PART NUMBER	DESCRIPTION	QTY.
01	08.6522.4.006	Screw	6
02	19.0083.1.682	Plate	1
03	19.0083.1.683	Plate	1
04	19.0064.8.409	Knuckle	(2)
05	19.0033.1.406	Screw	(2)
06	19.0033.2.405	Screw	(2)
07	19.0013.1.487	Screw	(4)
08	19.0081.0.506	Fork	(2)
09	19.0081.0.505	Fork	(2)
10	19.0016.1.402	Nut	(2)
11	08.6010.5.012	Screw	(4)
12	19.0061.3.601	Lever	(2)
13	19.0063.6.441	Lever	(2)
14	08.6000.4.035	Screw	(2)
15	08.6010.4.012	Screw	(2)
16	08.6850.4.000	Washer	(2)
17	19.0064.7.405	Slide Adjust Plate	● (2)
18	19.0031.8.405	Shaft	(3)
19	08.6310.4.030	Screw	(3)
20	08.6710.4.000	Nut	(2)
21	19.0071.4.205	Bed Plate	(1)
22	07.0000.0.024	Linear Belt Pulley	● (5)
23	08.6400.5.006	Screw	(1)
24	19.0094.5.412	Felt	●●● 1
25	19.0034.0.404	Shaft	1
26	07.0000.0.024	Linear Ball Bearing	2
27	17.0014.1.119	Screw	2
28	17.0011.2.072	Screw	1
29	19.0064.8.407	Shaft Holder	1
30	19.0062.6.402	Line Pillow Block	● (1)
31	17.0019.0.228	Washer	2

Revised 01/2007

E-mail: [service@amfreece.cz](mailto:service@amfreece.cz); [parts@amfreece.cz](mailto:parts@amfreece.cz); website: [www.amfreece.com](http://www.amfreece.com)

Phones: +420 582 309 146 (Service), +420 582 309 286 (Spare Parts); Fax: +420 582 360 606

# CLAMPING — AF



Revised 01/2007

E-mail: [service@amfreece.cz](mailto:service@amfreece.cz); [parts@amfreece.cz](mailto:parts@amfreece.cz); website: [www.amfreece.com](http://www.amfreece.com)

Phones: +420 582 309 146 (Service), +420 582 309 286 (Spare Parts); Fax: +420 582 360 606

## CLAMPING — AF

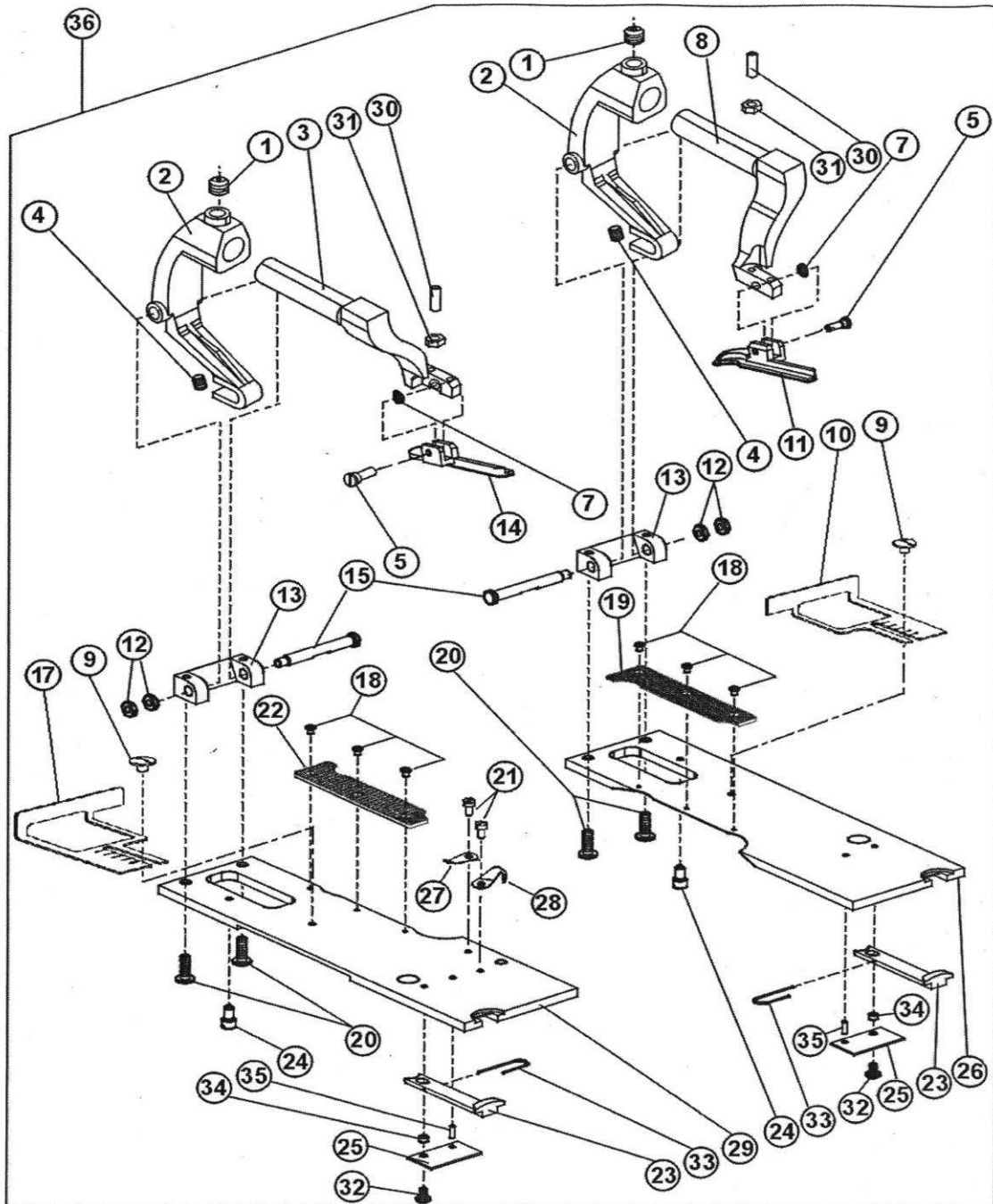
DET	PART NUMBER	DESCRIPTION	QTY.
01	08.6010.5.012	Screw	2
02	19.0063.5.406	Clamp Arm Base	2
03	19.0066.8.401	L.H. Clamp Arm	1
04	08.6400.4.006	Screw	2
05	17.0013.5.067	Screw	2
06	17.0019.5.040	Lockwasher	2
07	17.0019.2.066	Curved Spring Washer	2
08	19.0066.8.400	R.H. Clamp Arm	1
09	17.0012.4.106	Screw	2
10	19.0082.6.422	R.H.Cloth Gauge	1
11	17.0066.7.158	R.H. Clamp Foot 40	1
12	08.6710.4.000	Nut	4
13	19.0064.7.402	Block	2
14	17.0066.7.157	L.H. Clamp Foot 40	1
15	19.0032.8.401	Shaft	2
16	19.0016.1.402	Nut	2
17	19.0082.6.421	L.H.Cloth Gauge	1
18	17.0012.3.054	Screw	6
19	19.0081.1.760	R.H. Short Clamp Mat	1
20	08.6010.4.012	Screw	4
21	17.0012.0.303	Screw	2
22	19.0081.1.761	L.H. Short Clamp Mat	1
23	19.0062.5.408	Pawl	2
24	19.0033.1.401	Screw	2
25	19.0081.5.449	Cover	2
26	19.0081.5.440	R.H. Plate	● 1
27	17.0082.5.884	Clip	1
28	17.0087.0.169	Knife	1
29	19.0081.5.433	L.H. Plate	● 1
30	08.6400.3.010	Screw	2
31	08.6710.3.000	Nut	2
32	08.6200.3.005	Screw	2
33	19.0027.1.610	Spring	2
34	19.0041.0.684	Ring	2
35	12.1010.0.206	Pin	2
36	19.0003.1.600	Clamps AF	1

Revised 01/2007

E-mail: [service@amfreece.cz](mailto:service@amfreece.cz); [parts@amfreece.cz](mailto:parts@amfreece.cz); website: [www.amfreece.com](http://www.amfreece.com)

Phones: +420 582 309 146 (Service), +420 582 309 286 (Spare Parts); Fax: +420 582 360 606

# CLAMPING — AF/ACL

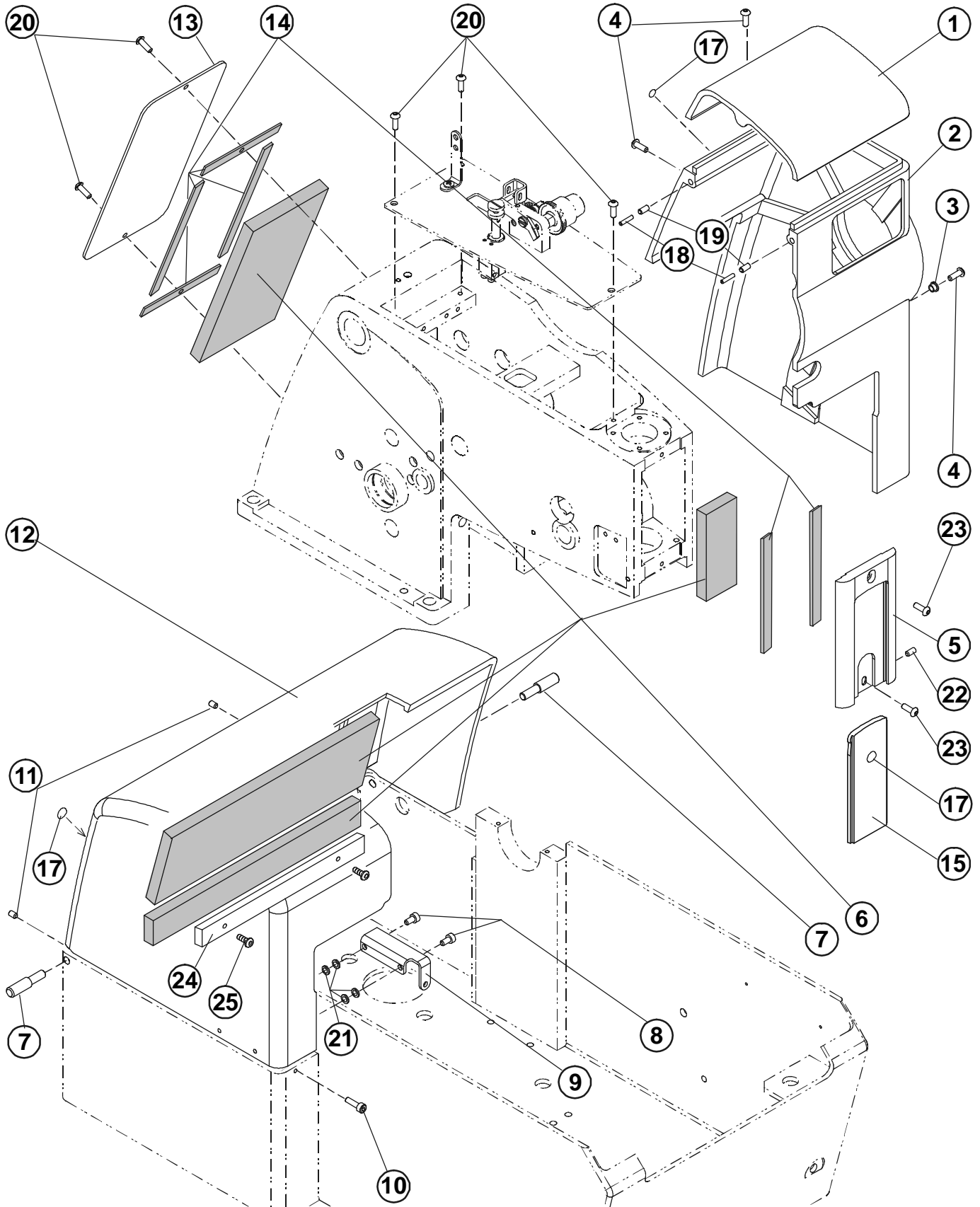


Revised 01/2007

E-mail: [service@amfreece.cz](mailto:service@amfreece.cz); [parts@amfreece.cz](mailto:parts@amfreece.cz); website: [www.amfreece.com](http://www.amfreece.com)  
Phones: +420 582 309 146 (Service), +420 582 309 286 (Spare Parts); Fax: +420 582 360 606



# COVERS



Revised 01/2007

E-mail: [service@amfreece.cz](mailto:service@amfreece.cz); [parts@amfreece.cz](mailto:parts@amfreece.cz); website: [www.amfreece.com](http://www.amfreece.com)  
Phones: +420 582 309 146 (Service), +420 582 309 286 (Spare Parts); Fax: +420 582 360 606

## COVERS

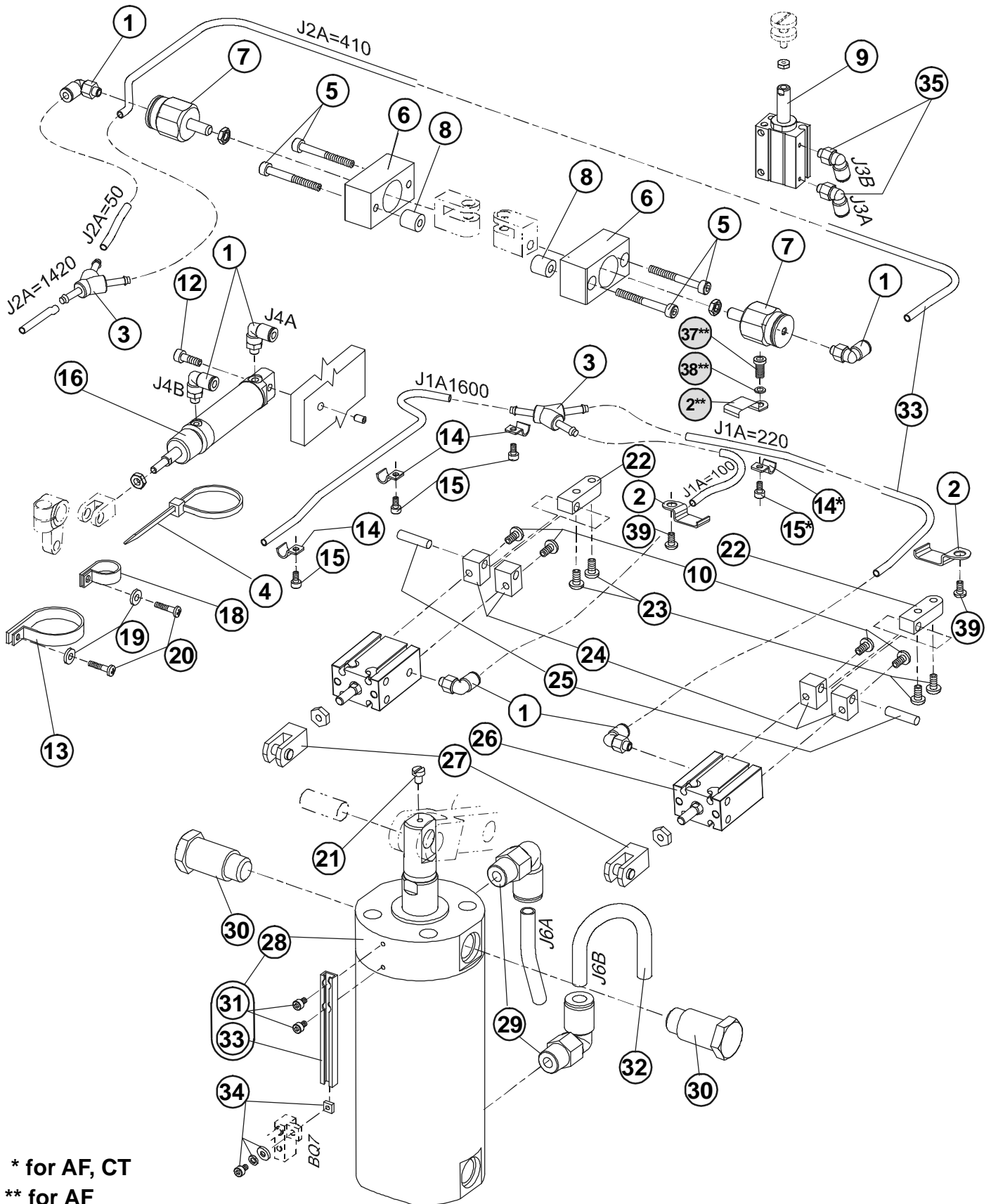
DET	PART NUMBER	DESCRIPTION	QTY.
01	19.0074.6.225	Stitch Drive Cover ●	1
02	19.0075.4.404	Control Panel Cover ●	1
03	19.0095.1.408	Ring	1
04	08.6000.4.010	Screw M4x12	3
05	19.0074.6.227	Front Cover ●	1
06	19.0095.3.405	Sound Suppressor Kit ●●●	1
07	19.0031.3.405	Screw	2
08	08.6000.4.008	Screw M4x8	2
09	19.0083.4.021	Shim	1
10	08.6000.4.014	Screw M4x14	1
11	08.6400.4.006	Screw M4x6	2
12	19.0074.6.226	Cover ●	1
13	19.0081.5.460	Arm Cover	1
14	19.0094.0.414	Gasket Cover ●●●	1
15	19.0095.4.403	Cover	1
17	12.0008.6.915	Support	3
18	12.1010.0.320	Pin	2
19	19.0094.2.413	Tube L <sub>10</sub> = 12 mm (2x)	-
20	08.6032.4.008	Screw	6
21	08.6850.4.000	Washer	4
22	08.6400.3.005	Screw	1
23	08.6200.4.008	Screw	1
24	19.0081.5.454	Cover Back	1
25	08.6000.4.005	Screw	2

Revised 01/2007

E-mail: [service@amfreece.cz](mailto:service@amfreece.cz); [parts@amfreece.cz](mailto:parts@amfreece.cz); website: [www.amfreece.com](http://www.amfreece.com)

Phones: +420 582 309 146 (Service), +420 582 309 286 (Spare Parts); Fax: +420 582 360 606

# HEAD PNEUMATIC PARTS STANDARD



\* for AF, CT

\*\* for AF

Revised 01/2007

E-mail: [service@amfreece.cz](mailto:service@amfreece.cz); [parts@amfreece.cz](mailto:parts@amfreece.cz); website: [www.amfreece.com](http://www.amfreece.com)

Phones: +420 582 309 146 (Service), +420 582 309 286 (Spare Parts); Fax: +420 582 360 606



## HEAD PNEUMATIC PARTS STANDARD

DET	PART NUMBER	DESCRIPTION	QTY.
01	12.0008.3.411	Connector	6
02**	19.0082.6.434	Clamp	3
03	12.0008.3.090	Connector	2
04	12.0008.3.023	Ty-wrap	13
05	08.6000.4.025	Screw	4
06	19.0064.8.445	Valve Holder	2
07	12.0008.3.734	Cylinder	2
08	19.0041.0.690	Roll	2
09	12.0008.3.631	Cylinder	1
10	08.6000.4.016	Screw M4x16	4
11			
12	19.0033.2.411	Stud	1
13	12.0008.4.197	Cord Clamp	1
14*	17.0082.6.000	Clamp	4
15*	08.6000.3.006	Screw	4
16	12.0008.3.764	Cylinder	1
17	08.6700.4.000	Nut	1
18	12.0008.4.100	Cord Clamp	1
19	08.6850.4.000	Washer	2
20	08.6000.4.010	Screw	2
21	08.6010.4.006	Screw	1
22	19.0062.6.403	Holder	2
23	08.6200.4.008	Screw	4
24	19.0064.8.444	Cylinder Holder	4
25	12.1010.0.530	Pin 5x20	2
26	12.0008.3.733	Cylinder	2
27	12.0008.3.739	Knuckle	2
28	19.0008.3.412	Cylinder	1
29	12.0008.3.741	Connector	2
30	19.0014.3.405	Shaft	2
31	08.6000.3.006	Screw	(2)
32	19.0094.2.417	Air Tubing 4x0,75  Air Tubing 8x1,25	1
		J1A=1600/220/100/30 J2A=1420/410/50 J3A=1510/30 J3B=1600 J4A=1520 / J4B=1470 J7A=1770 (LTT) / 1900 (CT) J7B = 1780 (LTT)  J0A=185/200 J6A=1550 J6B=1530	●●●
33	19.0008.3.414	Switch Rail	(1)
34	12.0008.3.412	Rail Stopper	1
35	12.0008.3.746	Connector	1
36			
37**	08.6000.3.008	Screw	1
38**	08.6850.3.000	Washer	1
39	08.6000.4.005	Screw	2

\* — for AF, CT

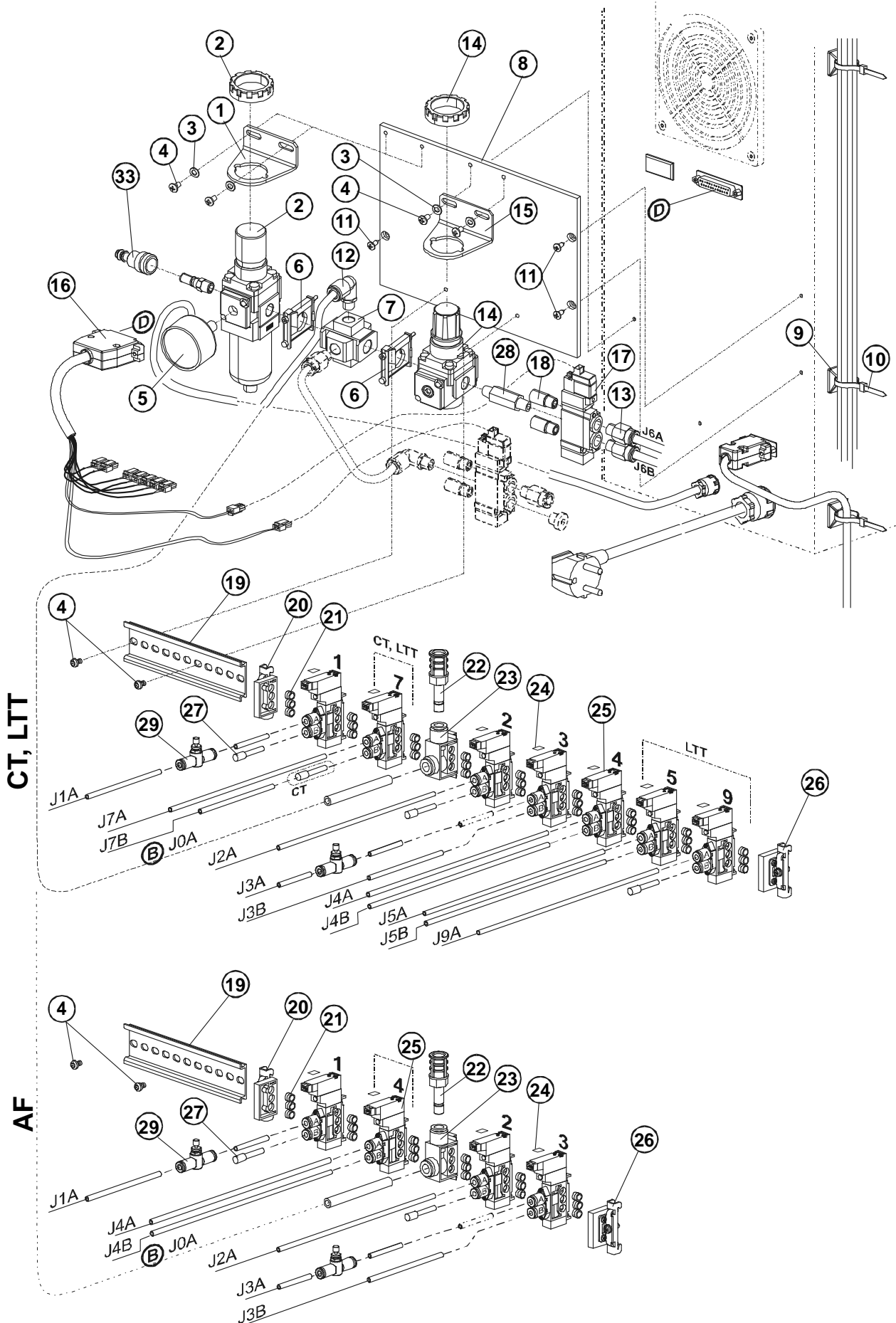
\*\* — for AF

Revised 01/2007

E-mail: [service@amfreece.cz](mailto:service@amfreece.cz); [parts@amfreece.cz](mailto:parts@amfreece.cz); website: [www.amfreece.com](http://www.amfreece.com)

Phones: +420 582 309 146 (Service), +420 582 309 286 (Spare Parts); Fax: +420 582 360 606

# CONTROL BOX — PNEUMATIC PARTS



Revised 01/2007

E-mail: [service@amfreece.cz](mailto:service@amfreece.cz); [parts@amfreece.cz](mailto:parts@amfreece.cz); website: [www.amfreece.com](http://www.amfreece.com)

Phones: +420 582 309 146 (Service), +420 582 309 286 (Spare Parts); Fax: +420 582 360 606

## CONTROL BOX — PNEUMATIC PARTS

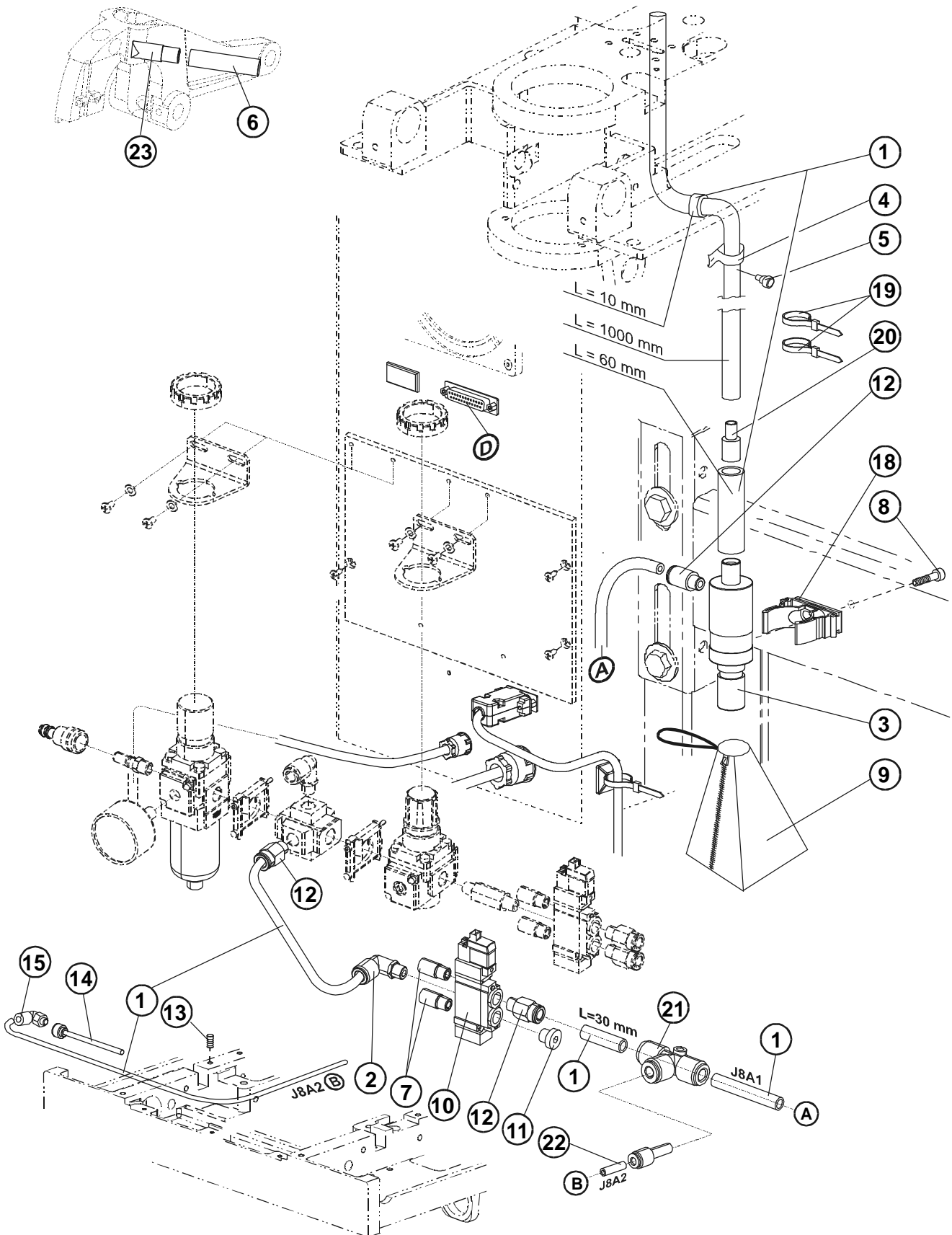
DET	PART NUMBER	DESCRIPTION	QTY.
01	12.0008.3.659	Regular Holder	1
02	12.0008.3.753	Regulator	1
03	08.6852.4.000	Washer	4
04	08.6032.4.008	Screw	6
05	12.0008.3.418	Pressure Gauge	1
06	12.0008.3.756	Spacer	2
07	12.0008.3.755	Cross Spacer	1
08	19.0008.3.416	Plate	1
09	12.0008.4.058	Clip	4
10	12.0008.3.023	Tie-wrap ●●●	4
11	08.6683.4.007	Screw	3
12	12.0008.3.754	Connector	1
13	12.0008.3.421	Connector	2
14	19.0082.3.757	Regulator	1
15	12.0008.3.762	Regular Holder	1
16	19.0007.9.483	Cable Valve	1
17	12.0008.3.759	Pneumatic Valve	1
18	12.0008.3.427	Silencer	2
19	12.0008.3.760	DIN Rail	1
20	12.0008.3.478	Rail Stopper	1
21	12.0008.3.477	Connector	24
22	12.0008.3.483	Silencer	1
23	12.0008.3.479	Air Supply Block Assembly	1
24	—	Labels Kit	—
25	12.0008.3.482	Pneumatic Valve	4+3
26	12.0008.3.476	Rail Stopper	1
27	12.0008.3.426	Plug ●●●	4
28	12.0008.3.758	Spacer	1
29	12.0008.3.430	Speed Controller	2
30			
31	19.0094.2.417	Air Tubing 4x0,75 J1A=1600/220/100/30 ●●● J2A=1420/410/50 J3A=1510/30 J3B=1600 J4A=1520 / J4B=1470 J7A=1770 (LTT) / 1900 (CT) J7B = 1780 (LTT)  Air Tubing 8x1,25 J0A=185/200 J6A=1550 J6B=1530	(1)
32	12.0008.3.420	Connector	1
33	See Page 3-77	Connector	—

Revised 01/2007

E-mail: [service@amfreece.cz](mailto:service@amfreece.cz); [parts@amfreece.cz](mailto:parts@amfreece.cz); website: [www.amfreece.com](http://www.amfreece.com)

Phones: +420 582 309 146 (Service), +420 582 309 286 (Spare Parts); Fax: +420 582 360 606

# EXHAUST -PNEUMATIC PARTS



Revised 01/2007

E-mail: [service@amfreece.cz](mailto:service@amfreece.cz); [parts@amfreece.cz](mailto:parts@amfreece.cz); website: [www.amfreece.com](http://www.amfreece.com)

Phones: +420 582 309 146 (Service), +420 582 309 286 (Spare Parts); Fax: +420 582 360 606

## EXHAUST - PNEUMATIC PARTS

DET	PART NUMBER	DESCRIPTION	QTY.
01	19.0094.2.417	Air Tubing 4x0,75 J8A2=1880 mm	1
		Air Tubing 8x1 J8A1=290 mm J8A1=30 mm	
		Air Tubing 19x4 J8A1=10 mm J8A1=60 mm	
02	12.0008.3.754	Connector	1
03	19.0008.3.415	Vacuum Unit	(1)
04	07.6600.0.006	Clamp, Cable	(1)
05	08.6200.5.006	Screw M5x6	(1)
06	19.0094.2.418	Air Tubing 12x2 L= 1000 mm	1
07	12.0008.3.427	Silencer	2
08	08.6000.5.022	Screw	1
09	12.0008.6.977	Bag	1
10	12.0008.3.759	Valve	1
11	12.0008.3.428	Plug	1
12	12.0008.3.421	Connector	2
13	08.6400.4.006	Screw M4x6	1
14	19.0005.2.218	Tube	1
15	12.0008.3.411	Connector	1
18	12.0008.6.980	Sleeve 32	1
19	12.0008.3.023	Tie-wrap	2
20	19.0084.1.614	Pipe	1
21	12.0008.3.689	Connector	1
22	12.0008.3.447	Connector	1
23*	19.0031.4.401	insert	(1)

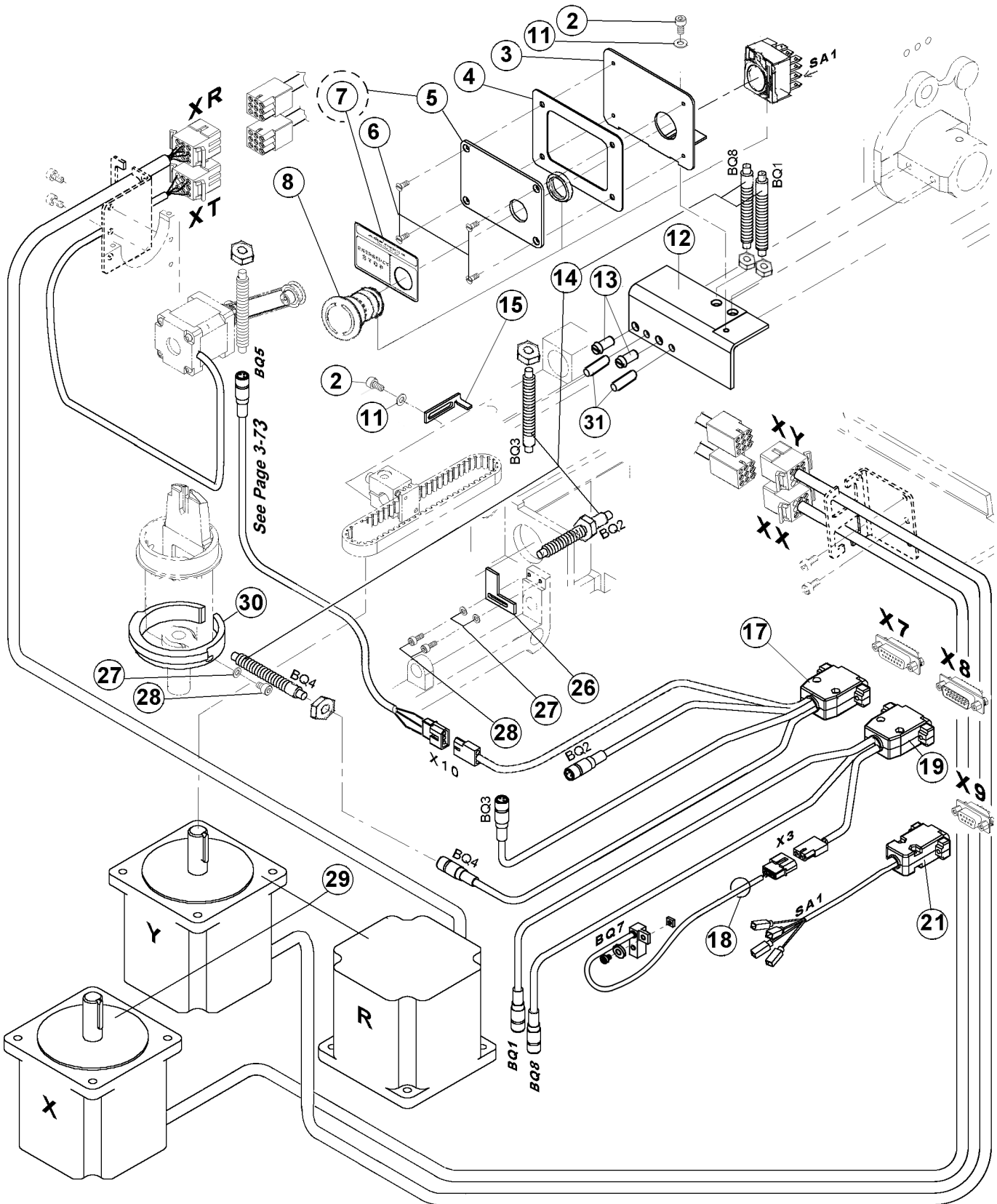
\* for LTT/ACL

Revised 01/2007

E-mail: [service@amfreece.cz](mailto:service@amfreece.cz); [parts@amfreece.cz](mailto:parts@amfreece.cz); website: [www.amfreece.com](http://www.amfreece.com)

Phones: +420 582 309 146 (Service), +420 582 309 286 (Spare Parts); Fax: +420 582 360 606

# HEAD ELECTRONIC PARTS



Revised 01/2007

E-mail: [service@amfreece.cz](mailto:service@amfreece.cz); [parts@amfreece.cz](mailto:parts@amfreece.cz); website: [www.amfreece.com](http://www.amfreece.com)

Phones: +420 582 309 146 (Service), +420 582 309 286 (Spare Parts); Fax: +420 582 360 606

**HEAD ELECTRONIC PARTS**

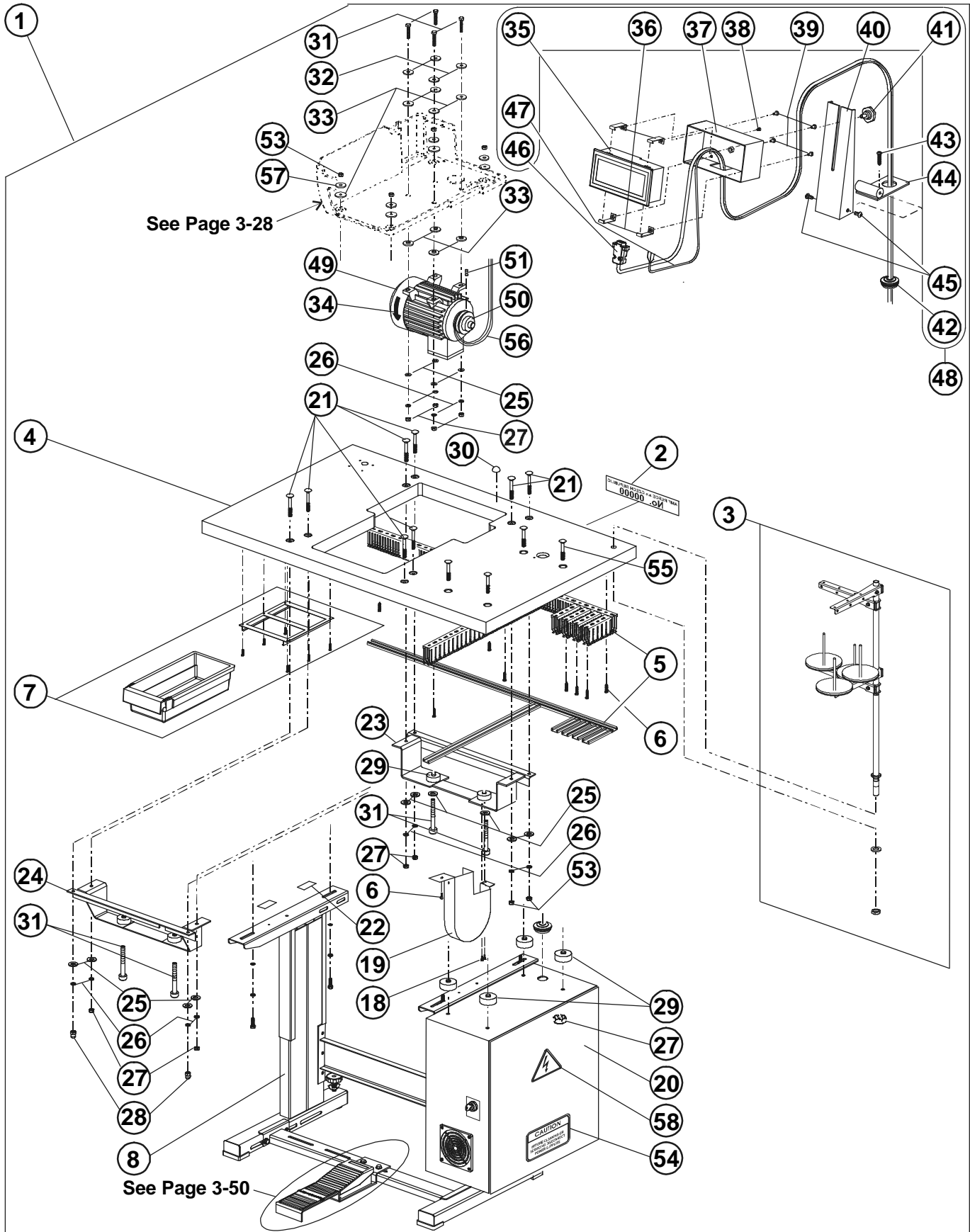
DET	PART NUMBER	DESCRIPTION	QTY.
01			
02	08.6000.4.008	Screw	2
03	19.0081.6.402	Holder Panel	1
04	19.0094.0.404	Rubber Packing	1
05	19.0081.6.403	Panel	1
06	08.6102.3.008	Screw	4
07	12.8000.0.401	Label Panel	(1)
08	12.0008.4.563	Emergency Stop Switch	(1)
11	08.6850.4.000	Washer	2
12	19.0082.3.445	Holder	1
13	08.6000.6.010	Screw M6x10	2
14	12.0010.4.025	Sensor	(5)
15	19.0082.3.404	Sensor Plate	1
17	19.0007.9.030	Cable Assembly X7	(1)
18	19.0007.9.499	Sensor Assembly BQ7	(1)
19	19.0007.9.031	Cable Assembly X8	(1)
21	19.0007.9.032	Cable Assembly X9	(1)
26	19.0081.5.418	Sensor Plate	1
27	08.6850.3.000	Washer	3
28	08.6000.3.008	Screw	4
29	19.0007.9.498	Stepping Motor	3
30	19.0067.2.408	Sensor Ring	1
31	12.1010.0.306	Pin	2

Revised 01/2007

E-mail: [service@amfreece.cz](mailto:service@amfreece.cz); [parts@amfreece.cz](mailto:parts@amfreece.cz); website: [www.amfreece.com](http://www.amfreece.com)

Phones: +420 582 309 146 (Service), +420 582 309 286 (Spare Parts); Fax: +420 582 360 606

# TABLE



Revised 01/2007

E-mail: [service@amfreece.cz](mailto:service@amfreece.cz); [parts@amfreece.cz](mailto:parts@amfreece.cz); website: [www.amfreece.com](http://www.amfreece.com)  
Phones: +420 582 309 146 (Service), +420 582 309 286 (Spare Parts); Fax: +420 582 360 606



**TABLE**

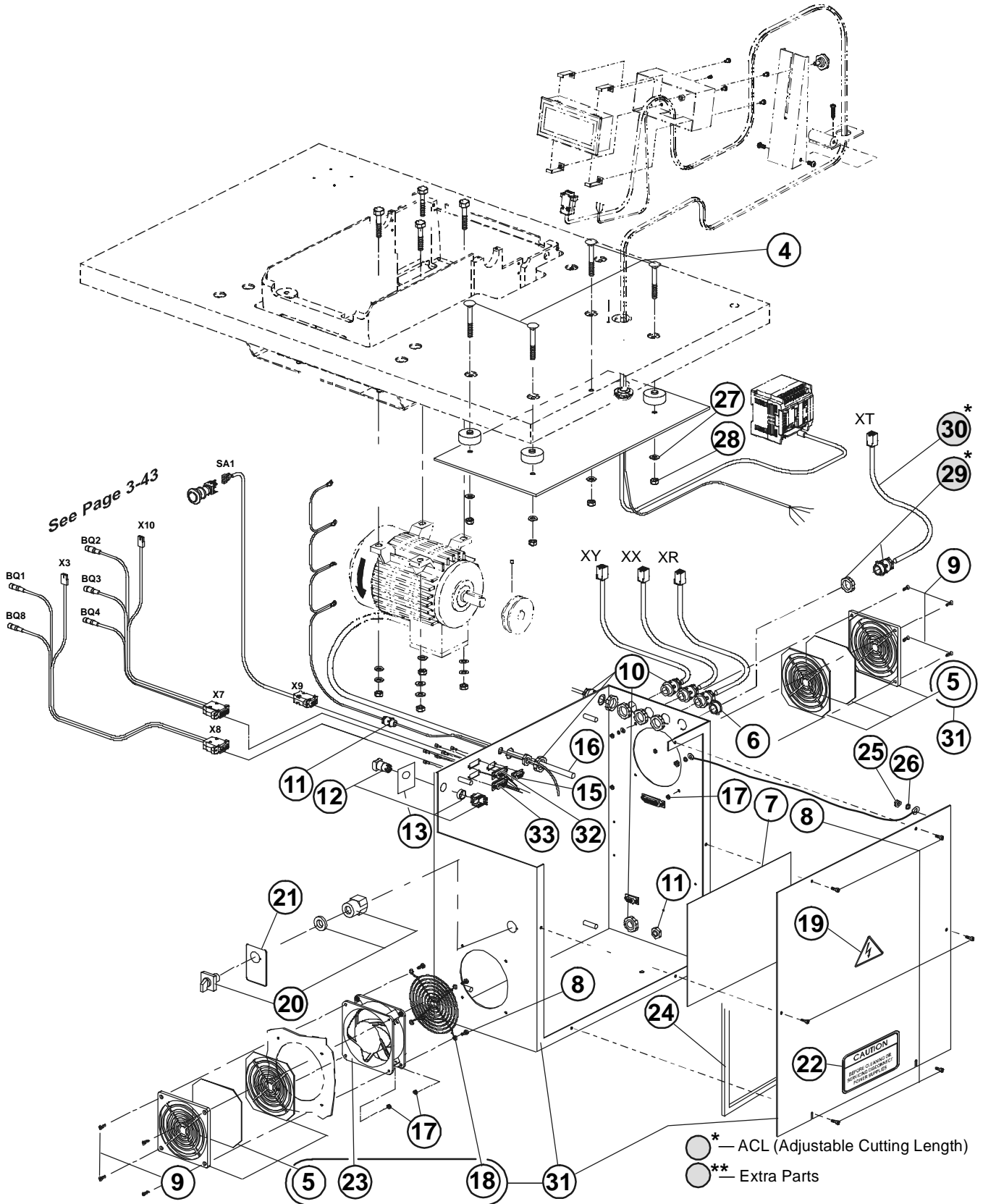
DET	PART NUMBER	DESCRIPTION	QTY.
01	03.5519.1.090	Table Assembly	1
02	04.1416.0.003	Label "No. xxxxx" ●●●	1
03	17.0003.6.156	Thread Stand Assembly	1
04	19.0091.0.402	Table Top ●●●	1
05	19.0095.2.403	Latch for Cable Kit ●●●	1
06	08.6632.3.016	Screw	15
07	12.0008.6.901	Drawer Kit ●●●	1
08	04.9000.2.123	Frame Kit	1
18	08.6000.4.008	Screw	2
19	19.0005.0.028	Cover Pulley ●●●	1
20	19.0006.9.448	Electrical Box Assembly □	1
21	08.6532.8.050	Screw	8
22	17.0094.0.200	Washer	4
23	19.0005.0.016	Framework	1
24	19.0005.0.015	Framework	1
25	08.6852.8.000	Washer	12
26	08.6802.8.000	Spring Washer	12
27	08.6702.8.000	Nut	14
28	08.6722.8.000	Nut	2
29	19.0095.1.405	Rubber Washer	8
30	12.0008.6.915	Holder	1
31	08.6312.8.040	Screw	8
32	01.4750.0.000	Washer	4
33	17.0095.1.272	Rubber Washer	12
34	17.0097.5.182	Label	1
35	19.8001.0.005	Display	(1)
36	19.0005.0.012	Panel Holder Got	(4)
37	19.0005.0.011	Display Box	(1)
38	08.6000.3.005	Screw	(1)
39	08.6032.4.010	Screw	(4)
40	19.0083.7.002	Display Box Holder	(1)
41	24.4019.0.000	Screw	(1)
42	12.0008.4.366	Bushing	(1)
43	08.6663.5.025	Screw	(1)
44	19.0005.0.013	Panel Stand Base	(1)
45	08.6200.6.010	Screw	(2)
46	12.0008.4.821	Cable	(1)
47	19.0007.9.477	Cable	(1)
48	03.5519.0.003	Touch Screen Assembly	1
49	12.0008.4.757	Motor	1
50	19.0052.0.501	Puley	1
51	08.6400.6.006	Screw M6x6	1
52			
53	08.6733.8.000	M8 Nut Lock	4
54	00.2751.3.602	Label	1
55	08.6532.8.070	Screw	4
56	12.5050.1.501	Belt	1
57	17.0019.0.441	Washer	4
58	17.0097.5.174	Label	1

Revised 01/2007

E-mail: [service@amfreece.cz](mailto:service@amfreece.cz); [parts@amfreece.cz](mailto:parts@amfreece.cz); website: [www.amfreece.com](http://www.amfreece.com)

Phones: +420 582 309 146 (Service), +420 582 309 286 (Spare Parts); Fax: +420 582 360 606

# ELECTRONIC BOX -ELECTRONIC PARTS — I



Revised 01/2007

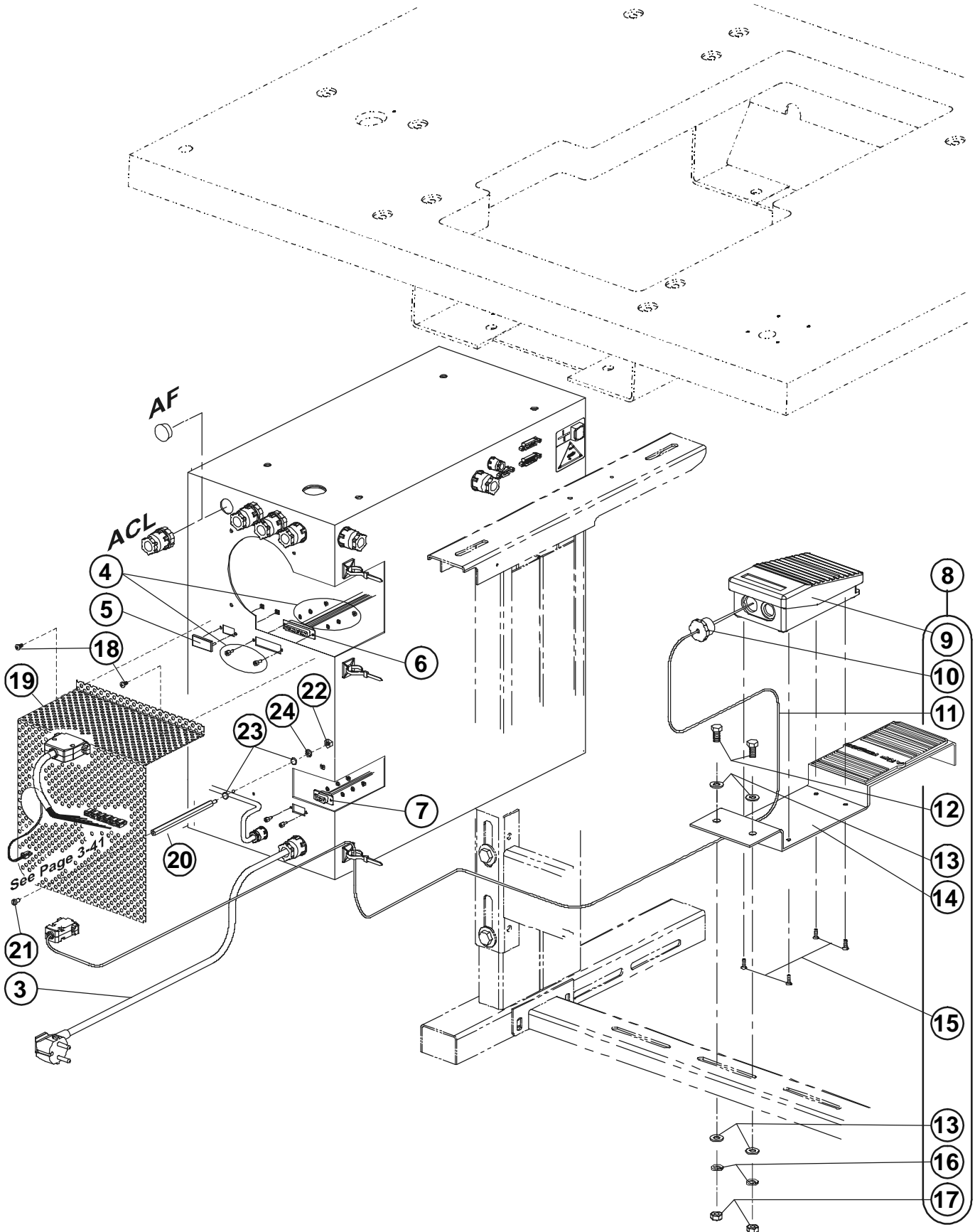
E-mail: [service@amfreece.cz](mailto:service@amfreece.cz); [parts@amfreece.cz](mailto:parts@amfreece.cz); website: [www.amfreece.com](http://www.amfreece.com)  
 Phones: +420 582 309 146 (Service), +420 582 309 286 (Spare Parts); Fax: +420 582 360 606

**ELECTRONIC BOX -ELECTRONIC PARTS — I**

DET	PART NUMBER	DESCRIPTION	QTY.
04	08.6532.8.070	Screw	4
05	12.0008.4.761	Fan Cover With Filter ●●●	(2)
06	12.0008.4.777	Stopper ●●●	1
07	12.8000.0.077	Electrical Diagram Label	1
08	08.6032.4.012	Screw	14
09	08.6032.4.016	Screw	4
10	12.0008.4.231	Bushing ●●●	6
11	12.0008.4.207	Bushing ●●●	2
12	12.0008.4.613	Pushbutton (Green)	1
13	12.0008.4.615	Switch Unit (ZB6-E2B)	(1)
15	19.0007.9.023	Cable X9A	1
16	19.0007.9.008	Sew Motor	1
17	08.6702.4.000	Nut	12
18	12.0008.4.691	Fan Rack	(1)
19	12.0008.4.378	Label	1
20	12.0008.4.716	Knob	1
21	12.8000.0.423	Label	1
22	00.2751.3.602	Label "CAUTION"	1
23	12.0008.4.682	Fan	(1)
24	19.0094.2.410	Gasket	1
25	08.6702.6.000	Nut	2
26	08.6832.6.000	Washer	2
27	08.6852.8.000	Washer	4
28	08.6702.8.000	Nut	4
29*	12.0008.4.231	Bushing* ●●●	1*
30*	19.0007.9.011	Cable Motor * (T)	1*
31	19.0005.0.014	Driving Box	1
32	19.0007.9.021	Cable X7A	1
33	19.0007.9.022	Cable X8A	1

\* — ACL (Adjustable Cutting Length)

# ELECTRONIC BOX -ELECTRONIC PARTS — II



Revised 01/2007

E-mail: [service@amfreece.cz](mailto:service@amfreece.cz); [parts@amfreece.cz](mailto:parts@amfreece.cz); website: [www.amfreece.com](http://www.amfreece.com)  
Phones: +420 582 309 146 (Service), +420 582 309 286 (Spare Parts); Fax: +420 582 360 606

**ELECTRONIC BOX -ELECTRONIC PARTS — II**

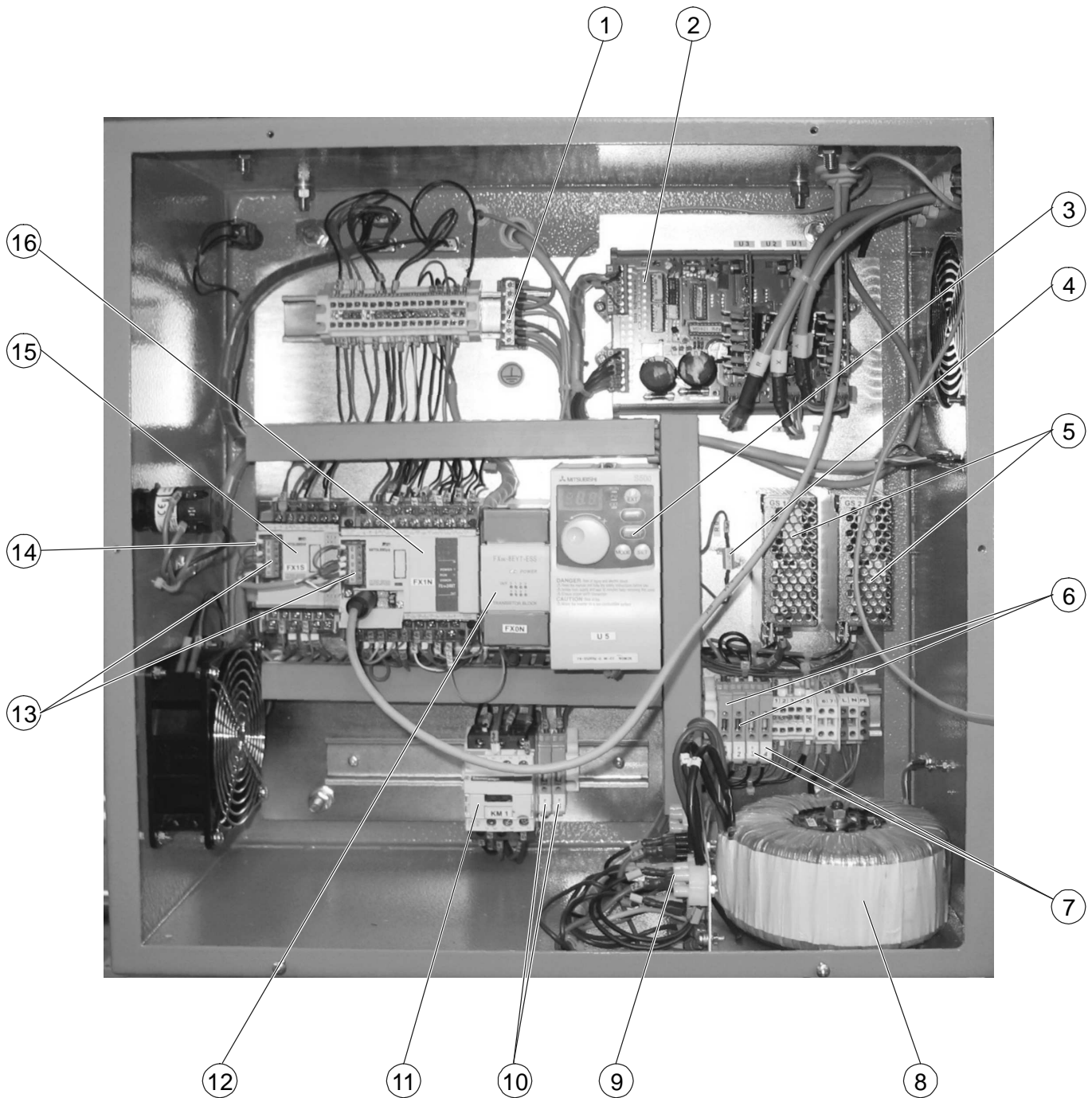
DET	PART NUMBER	DESCRIPTION	QTY.
03	12.0008.4.885	Cable Flexo	1
04	12.0008.4.710	Screw Kit	5
05	12.0008.4.758	Stopper	1
06	19.0007.9.018	Cable X4A	1
07	19.0007.9.019	Cable X5A	1
08	19.0007.9.037	Pedal Assembly	1
09	12.0008.4.204	Pedal	●●● (1)
10	12.0008.4.296	Bushing	●●● (1)
11	19.0007.9.036	Cable	(1)
12	08.6312.8.020	Screw	(2)
13	08.6852.8.000	Washer	(4)
14	24.0097.0.000	Holder Pedal	(1)
15	08.6100.4.012	Screw	(4)
16	08.6802.8.000	Spring Washer	(2)
17	08.6702.8.020	Screw	(2)
18	08.6662.4.010	Screw	2
19	19.0083.1.687	Cover	1
20	19.0014.6.408	Distance Nut	1
21	08.6010.4.008	Screw	2
22	08.6702.4.000	Nut	1
23	08.6852.4.000	Washer	2
24	08.6832.4.000	Washer Serated	1

Revised 01/2007

E-mail: [service@amfreece.cz](mailto:service@amfreece.cz); [parts@amfreece.cz](mailto:parts@amfreece.cz); website: [www.amfreece.com](http://www.amfreece.com)

Phones: +420 582 309 146 (Service), +420 582 309 286 (Spare Parts); Fax: +420 582 360 606

# ELECTRONIC BOX -ELECTRONIC PARTS — III

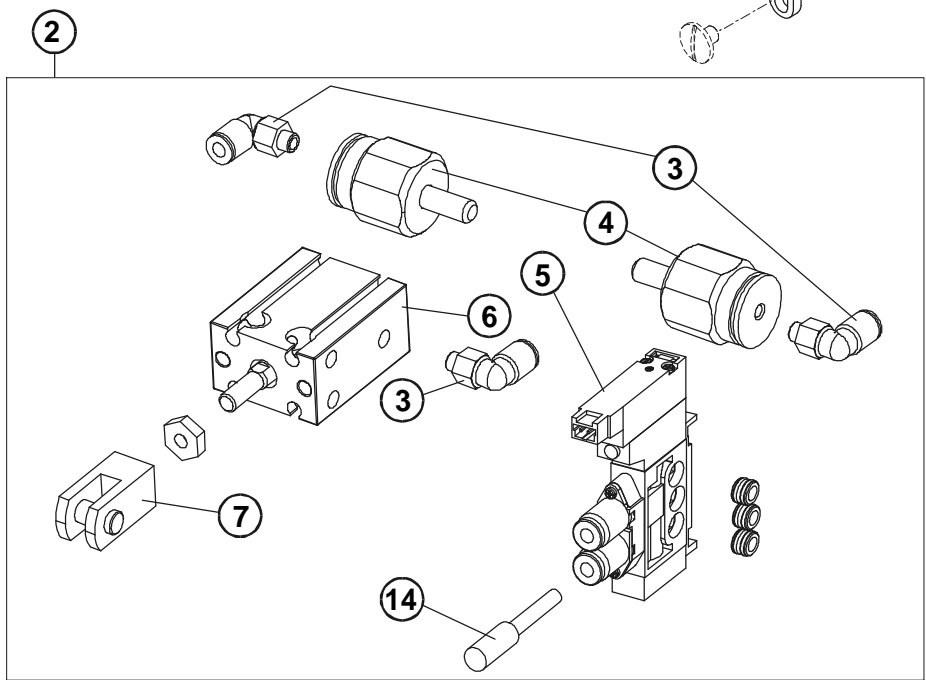
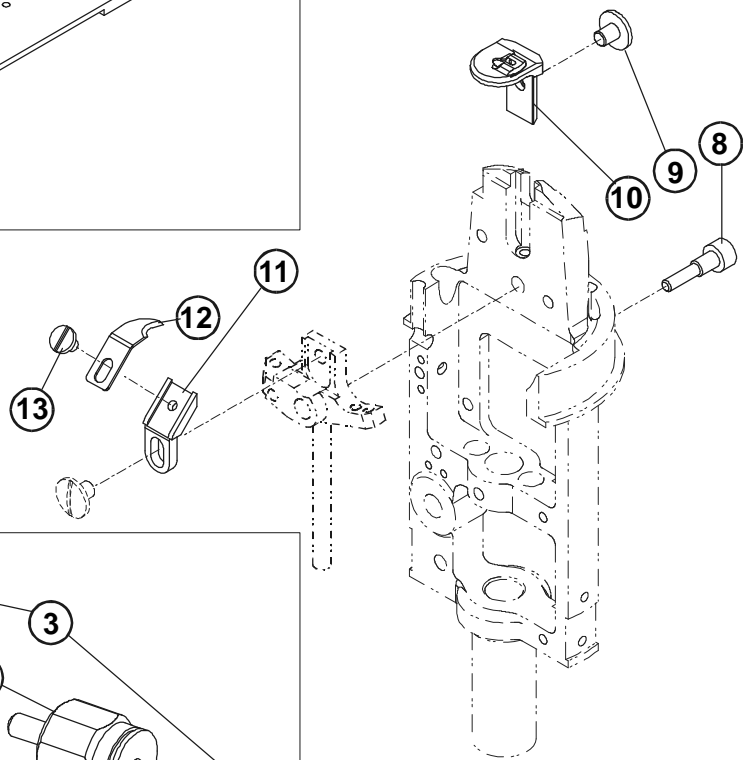
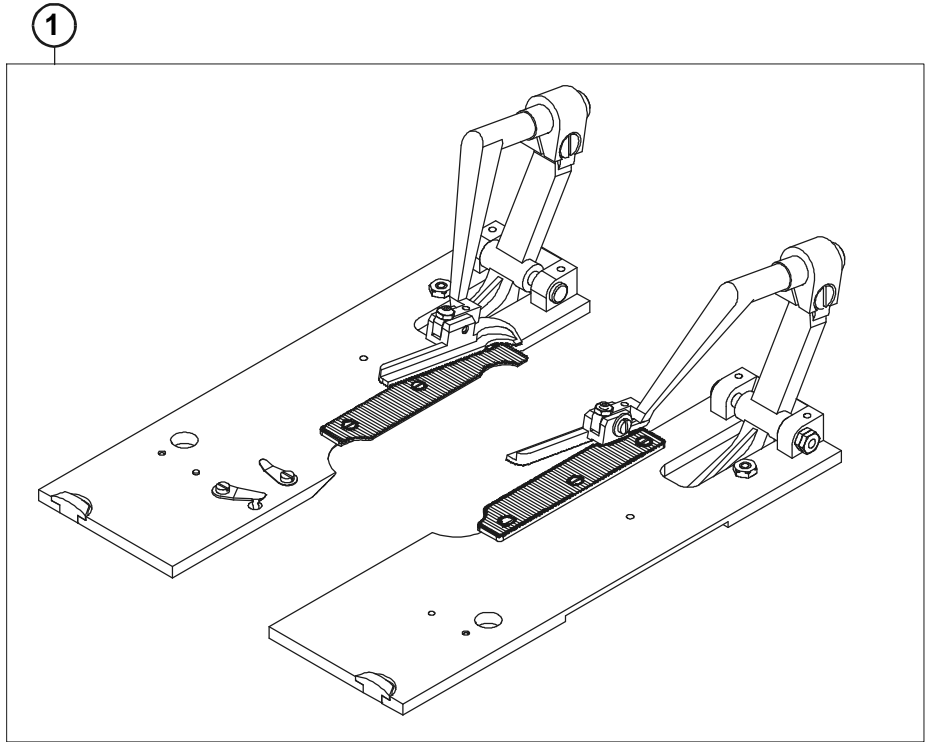


Revised 01/2007

E-mail: [service@amfreece.cz](mailto:service@amfreece.cz); [parts@amfreece.cz](mailto:parts@amfreece.cz); website: [www.amfreece.com](http://www.amfreece.com)  
Phones: +420 582 309 146 (Service), +420 582 309 286 (Spare Parts); Fax: +420 582 360 606



# VERSION AF



Revised 01/2007

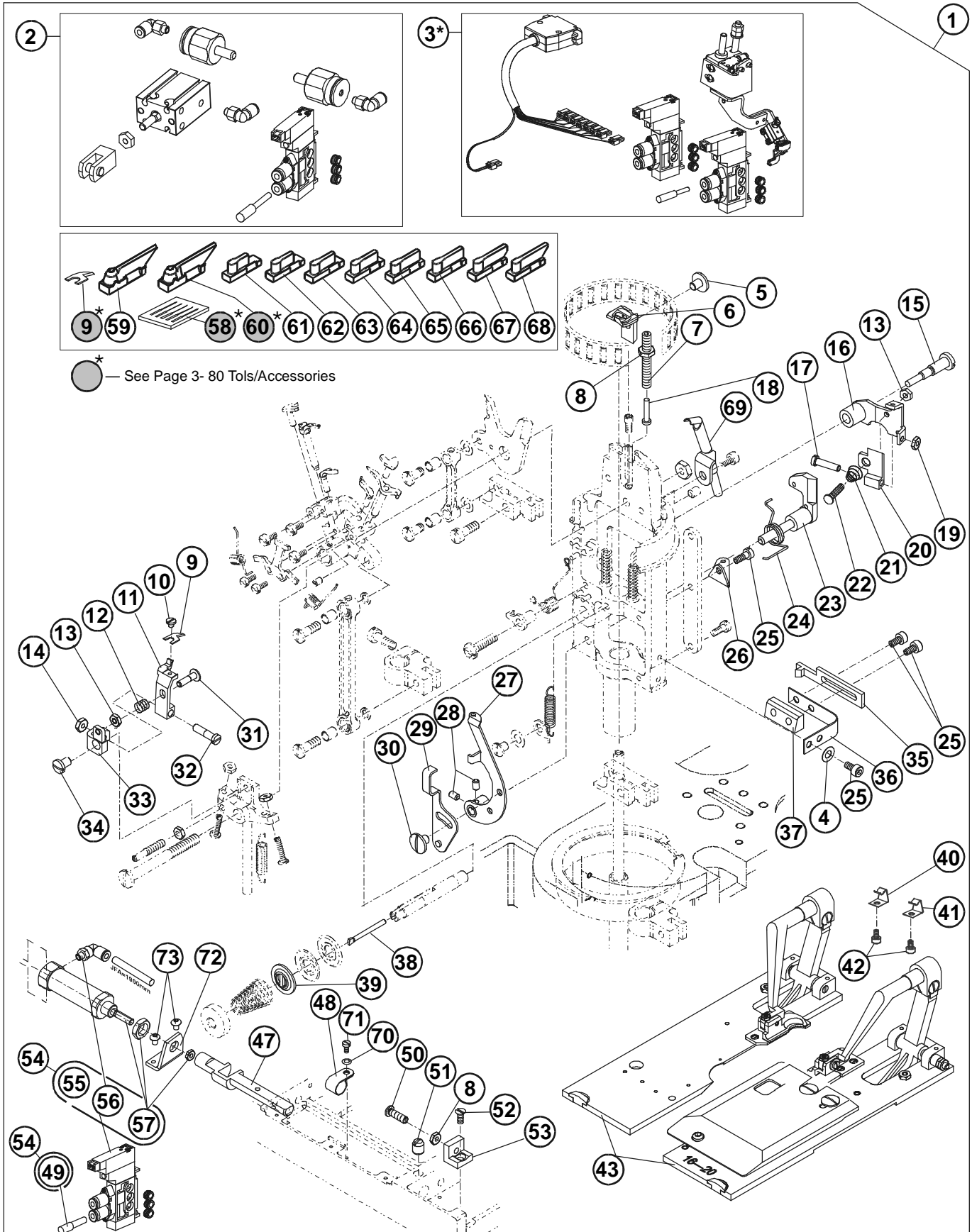
E-mail: [service@amfreece.cz](mailto:service@amfreece.cz); [parts@amfreece.cz](mailto:parts@amfreece.cz); website: [www.amfreece.com](http://www.amfreece.com)

Phones: +420 582 309 146 (Service), +420 582 309 286 (Spare Parts); Fax: +420 582 360 606





# VERSION CT



Revised 01/2007

E-mail: [service@amfreece.cz](mailto:service@amfreece.cz); [parts@amfreece.cz](mailto:parts@amfreece.cz); website: [www.amfreece.com](http://www.amfreece.com)  
Phones: +420 582 309 146 (Service), +420 582 309 286 (Spare Parts); Fax: +420 582 360 606

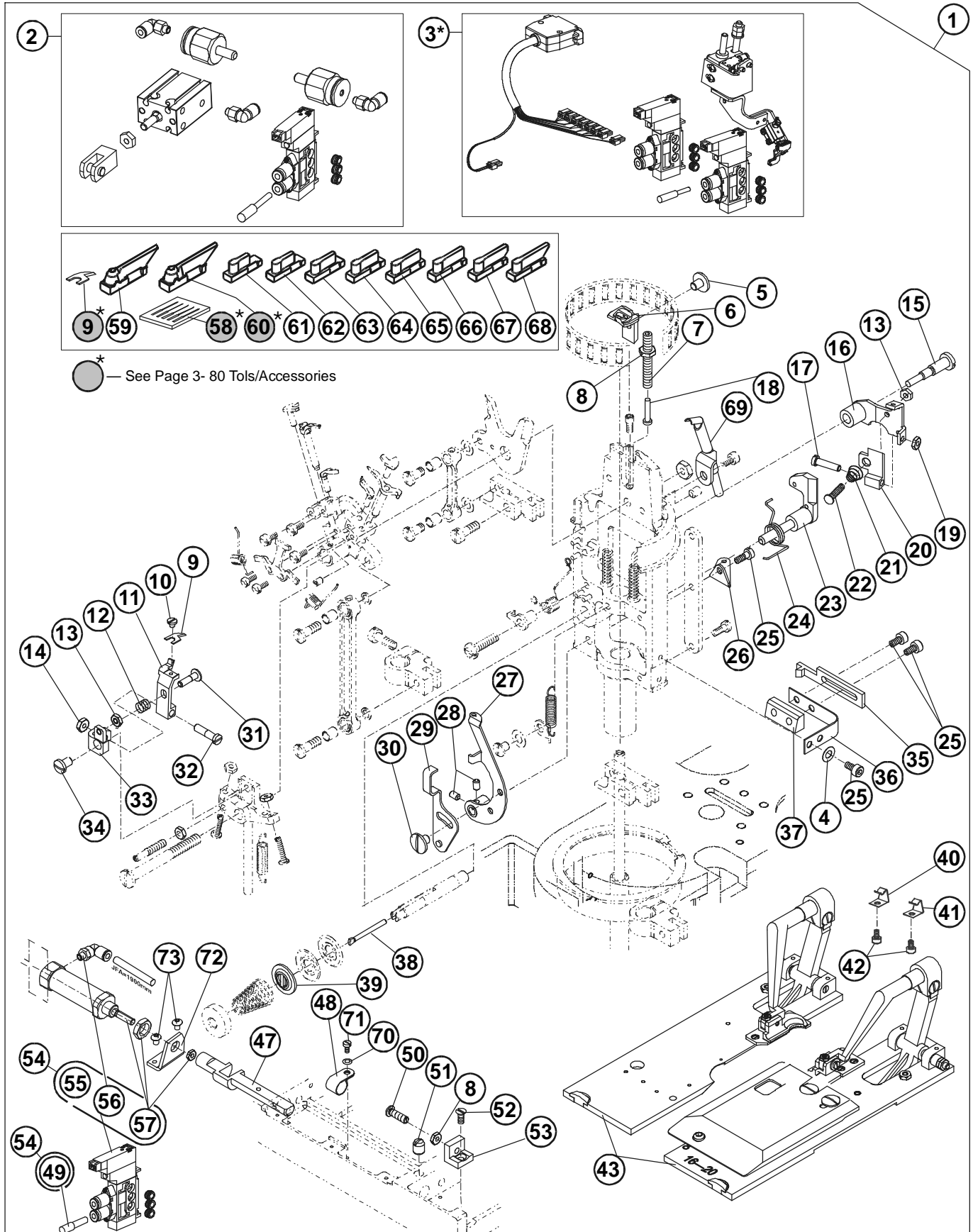
**VERSION CT**

DET	PART NUMBER	DESCRIPTION	QTY.
01	03.5519.3.016	Kit S311 CT 16 — 20	1
	03.5519.3.020	Kit S311 CT 20 — 24	
	03.5519.3.024	Kit S311 CT 24 — 28	
	03.5519.3.028	Kit S311 CT 28 — 32	
	03.5519.3.029	Kit S311 CT 16 — 32	
02	See Page 3-53	Kit Pneumatics AF	(1)
03*	See Page 3-63	Kit Thread Clamp S311 (03.5519.3.013)	(1)
04	08.6850.3.000	Washer	(1)
05	01.2056.1.000	Screw	(1)
06	10.4012.2.014	Throat Plate C36-21	(1)
07	19.0011.2.402	Screw	(1)
08	08.6710.5.000	Nut	(2)
09	19.0087.0.420	Knife CT*	(1+1*)
10	17.0012.0.688	Screw *	(1)
11	19.0061.6.401	Knife Holder CT*	(1)
12	17.0026.0.218	Spring	(1)
13	08.6700.3.000	Nut	(2)
14	17.0016.1.401	Nut	(1)
15	19.0013.1.491	Screw	(1)
16	19.0005.2.209	Abductor Bracket	(1)
17	19.0013.1.492	Screw	(1)
18	19.0032.2.405	Stud	(1)
19	19.0016.1.403	Nut	(1)
20	17.0082.6.402	Thread Holder	(1)
21	17.0026.2.054	Spring	(1)
22	17.0013.6.081	Screw	(2)
23	19.0005.2.210	Lever	(1)
24	18.0026.4.403	Spring	(1)
25	08.6010.3.006	Screw	(4)
26	19.0082.3.416	Support	(1)
27	19.0005.2.216	Lever	(1)
28	08.6400.4.004	Screw	(2)
29	19.0082.2.526	Lever	(1)
30	17.0012.1.137	Screw	(1)
31	17.0014.1.178	Screw	(1)
32	17.0013.1.482	Screw	(1)
33	19.0082.6.420	Holder	(1)
34	19.0012.0.689	Screw	(1)
35	19.0062.5.405	Lever	(1)
36	18.0028.3.401	Spring	(1)
37	18.0082.6.406	Block	(1)
38	18.0031.0.481	Pin	(1)
39	17.0082.8.082	Release Washer	(1)
40	19.0028.3.403	Spring Clip L.H.	(1)
41	19.0028.3.404	Spring Clip R.H.	(1)
42	19.0012.5.400	Screw M3-2,3	(2)
43	See Table Below	Clamps	(1)
44			
45			

\* — Tools/Accessories



# VERSION CT



Revised 01/2007

E-mail: [service@amfreece.cz](mailto:service@amfreece.cz); [parts@amfreece.cz](mailto:parts@amfreece.cz); website: [www.amfreece.com](http://www.amfreece.com)

Phones: +420 582 309 146 (Service), +420 582 309 286 (Spare Parts); Fax: +420 582 360 606

**VERSION CT**



DET	PART NUMBER	DESCRIPTION	QTY.
46			
47	19.0036.2.405	Rod	(1)
48	12.0008.4.280	Cord Clamp	(1)
49	12.0008.3.426	Plug	(1)
50	17.0012.7.007	Screw	(1)
51	19.0011.1.400	Screw	(1)
52	08.6100.4.010	Screw	(1)
53	19.0064.6.472	Stop	(1)
54	12.0008.3.532	Kit Pneumatics S311 CT	(1)
55	12.0008.3.482	Pneumatic Valve	((1))
56	12.0008.3.411	Connector	((1))
57	12.0008.3.649	Cylinder	((1))
58*	02.0558.1.112	Needle 558 Nm110	6
59	19.0087.0.432	Knife 28x42-38	1
60*	19.0087.0.434	Knife 32x50-38	1
61	See Table Below	Cuting Steel 16T	—
62	See Table Below	Cuting Steel 18T	—
63	See Table Below	Cuting Steel 20T	—
64	See Table Below	Cuting Steel 22T	—
65	See Table Below	Cuting Steel 24T	—
66	See Table Below	Cuting Steel 26T	—
67	See Table Below	Cuting Steel 29T	—
68	See Table Below	Cuting Steel 32T	—
69	19.0002.5.409	Cable Long	1
70	08.6852.4.000	Washer	1
71	08.6000.3.008	Screw	1
72	19.0082.3.463	Washer	1
73	08.6200.4.006	Screw	2

\* — Tools/Accessories

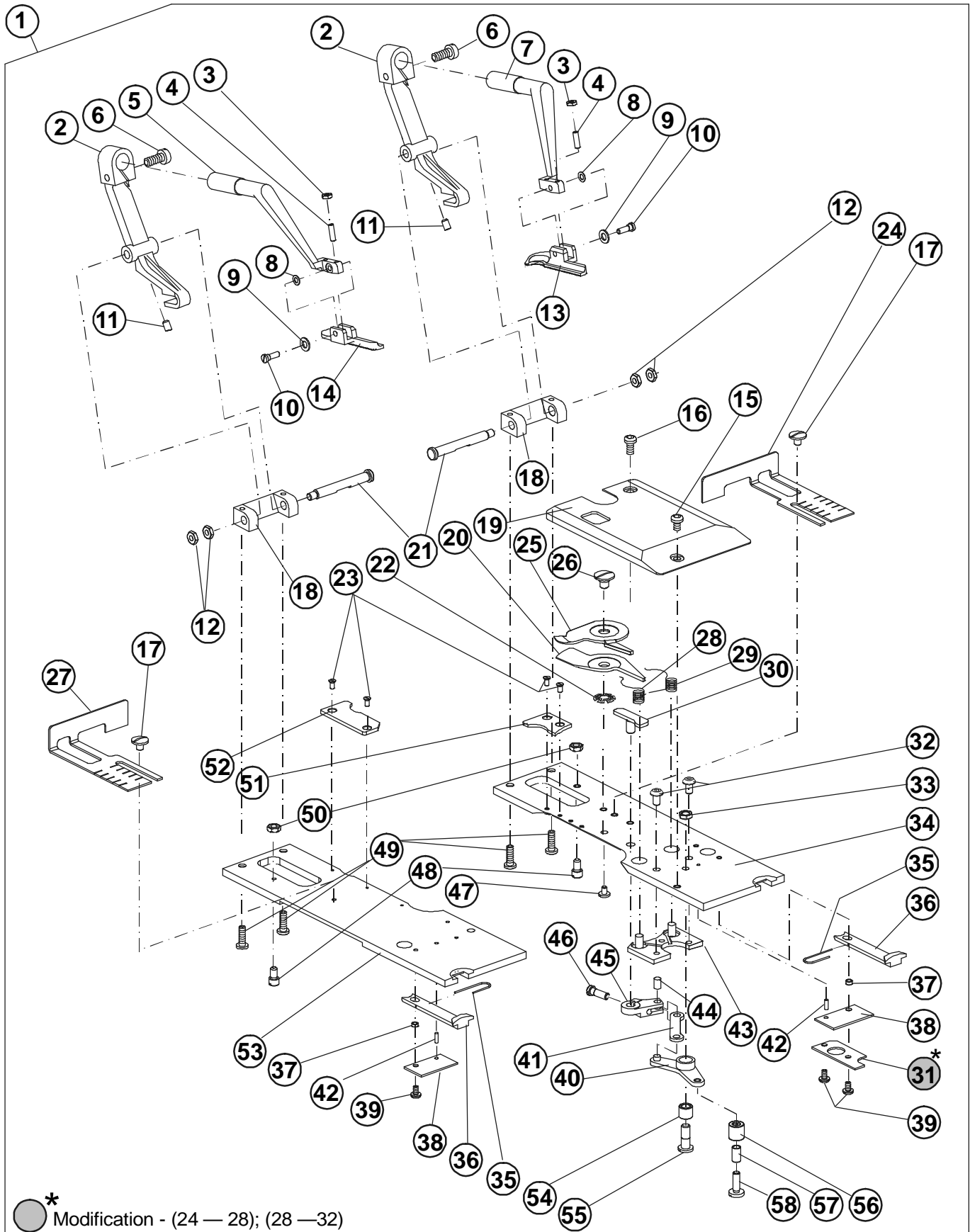
DET	Kit Version CT										DESCRIPTION	
	03.5519.3.016		03.5519.3.020		03.5519.3.024		03.5519.3.028		03.5519.3.029			
	S311 CT 16 — 20	S311 CT 20 — 24	S311 CT 24 — 28	S311 CT 28 — 32	S311 CT 16 — 32	PART NUMBER	QTY.	PART NUMBER	QTY.	PART NUMBER		QTY.
43	19.0003.1.661	1	—	—	—	—	—	—	—	19.0003.1.661	1	Clamps S311 CT 16—20
	—	—	19.0003.1.662	1	—	—	—	—	—	19.0003.1.662	1	Clamps S311 CT 20—24
	—	—	—	—	19.0003.1.663	1	—	—	—	19.0003.1.663	1	Clamps S311 CT 24—28
	—	—	—	—	—	—	19.0003.1.664	1	19.0003.1.664	1	1	Clamps S311 CT 16—32
61	19.0064.5.849	1	—	—	—	—	—	—	—	19.0064.5.849	1	Cuting Steel 16T
62	19.0064.5.850	1	—	—	—	—	—	—	—	19.0064.5.850	1	Cuting Steel 18T
63	19.0064.5.851	1	19.0064.5.851	1	—	—	—	—	—	19.0064.5.851	1	Cuting Steel 20T
64	—	—	19.0064.5.852	1	—	—	—	—	—	—	—	Cuting Steel 22T
65	—	—	19.0064.5.853	1	19.0064.5.853	1	—	—	—	—	—	Cuting Steel 24T
66	—	—	—	—	19.0064.5.854	1	—	—	—	—	—	Cuting Steel 26T
67	—	—	—	—	19.0064.5.855	1	19.0064.5.855	1	—	—	—	Cuting Steel 29T
68	—	—	—	—	—	—	19.0064.5.856	1	19.0064.5.856	1	1	Cuting Steel 32T

Revised 01/2007

E-mail: [service@amfreece.cz](mailto:service@amfreece.cz); [parts@amfreece.cz](mailto:parts@amfreece.cz); website: [www.amfreece.com](http://www.amfreece.com)

Phones: +420 582 309 146 (Service), +420 582 309 286 (Spare Parts); Fax: +420 582 360 606

# VERSION CT CLAMPING



Revised 01/2007

E-mail: [service@amfreece.cz](mailto:service@amfreece.cz); [parts@amfreece.cz](mailto:parts@amfreece.cz); website: [www.amfreece.com](http://www.amfreece.com)

Phones: +420 582 309 146 (Service), +420 582 309 286 (Spare Parts); Fax: +420 582 360 606

## VERSION CT CLAMPING

DET	PART NUMBER	DESCRIPTION	QTY.
01	19.0003.1.661	Modification (16—20)	
	19.0003.1.662	Modification (20—24)	
	19.0003.1.663	Modification (24—28)	
	19.0003.1.664	Modification (28—32)	
02	<b>19.0063.5.406</b>	Clamp Arm Base	2
03	<b>08.6710.3.000</b>	Nut	2
04	<b>08.6400.3.010</b>	Screw	2
05	<b>19.0066.8.401</b>	L.H. Clamp Arm	1
06	<b>08.6010.5.012</b>	Screw	2
07	<b>19.0066.8.400</b>	R.H. Clamp Arm	1
08	<b>17.0019.2.066</b>	Curved Spring Washer	2
09	<b>17.0019.5.040</b>	Lockwasher	2
10	<b>17.0013.5.067</b>	Screw	2
11	<b>08.6400.4.006</b>	Screw	2
12	<b>08.6710.4.000</b>	Nut	4
13	See Table Below	R.H. Clamp Foot	—
14	See Table Below	L.H. Clamp Foot	—
15	08.6200.4.006	Screw	1
16	08.6200.4.008	Screw	1
17	<b>17.0012.4.106</b>	Screw	2
18	<b>19.0064.7.402</b>	Block	2
19	19.0074.6.215	Cover Plate	1
20	19.0087.0.428	Lower Shear	1
21	<b>19.0032.8.401</b>	Screw	2
22	12.3013.0.002	Washer	1
23	<b>17.0012.3.054</b>	Screw	4
24			
25	19.0087.0.425	Upper Shear	1
26	19.0013.1.498	Pivot Screw	1
27	19.0082.6.421	L.H. Cloth Gauge	1
28	17.0026.4.065	L.H. Spring	1
29	17.0026.4.064	R.H. Spring	1
30	19.0062.5.404	Actuator	1
31	See Table Below	Cover	—
32	17.0012.4.103	Screw	2
33	17.0016.1.054	Nut	1
34	See Table Below	R.H. Plate	—
35	<b>19.0027.1.610</b>	Spring	2
36	<b>19.0062.5.408</b>	Pawl	2
37	<b>19.0041.0.684</b>	Ring	2
38	See Table Below	Cover	—
39	See Table Below	Screw	—
40	See Table Below	Lever	—
41	See Table Below	Lever	—
42	See Table Below	Pin	—
43	19.0005.2.212	Actuator	1
44	12.1010.0.408	Pin	1
45	19.0061.3.605	Lower Lever	1
46	17.0012.0.543	Screw	1
47	17.0012.0.605	Screw	1

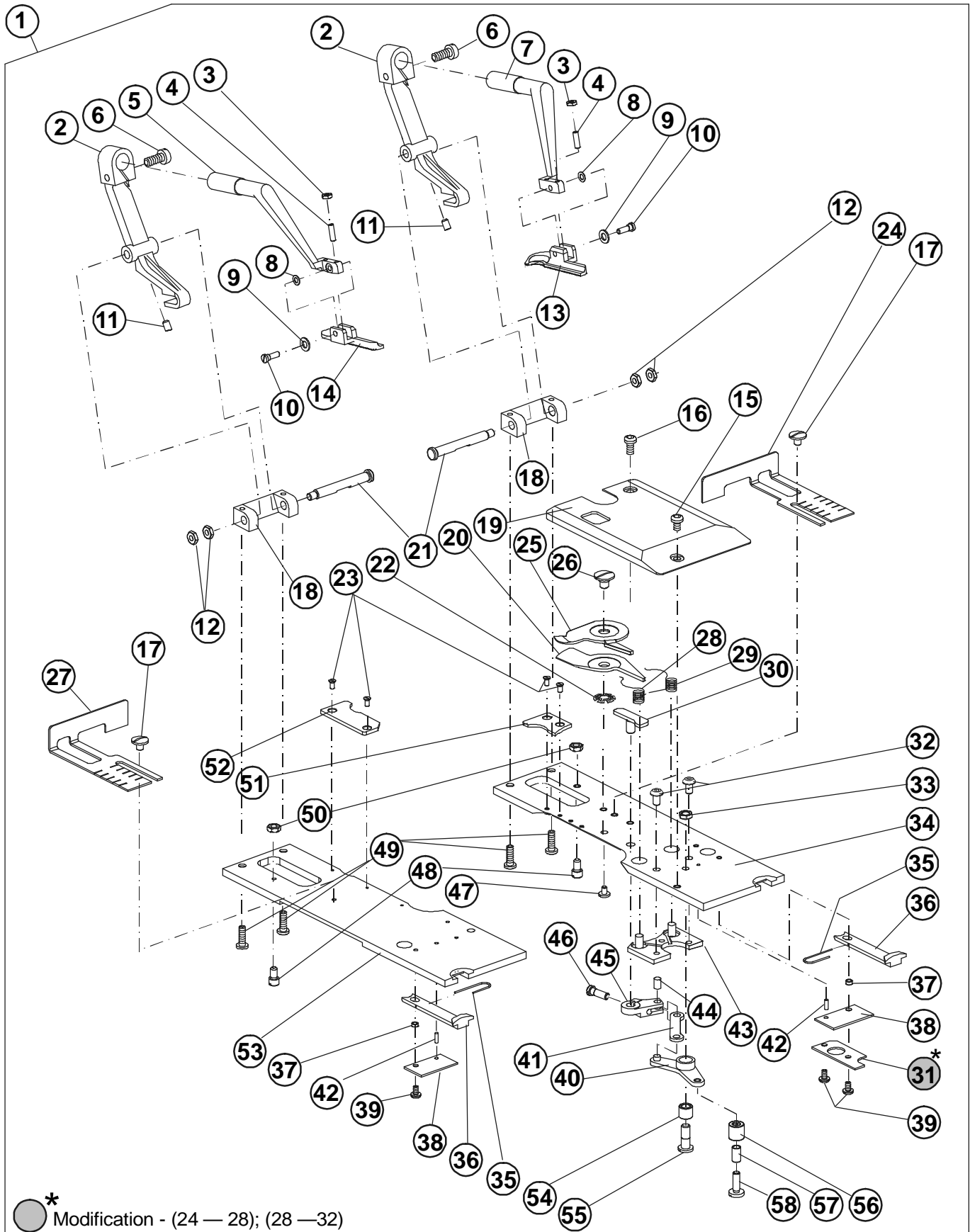


Revised 01/2007

E-mail: [service@amfreece.cz](mailto:service@amfreece.cz); [parts@amfreece.cz](mailto:parts@amfreece.cz); website: [www.amfreece.com](http://www.amfreece.com)

Phones: +420 582 309 146 (Service), +420 582 309 286 (Spare Parts); Fax: +420 582 360 606

# VERSION CT CLAMPING



Revised 01/2007

E-mail: [service@amfreece.cz](mailto:service@amfreece.cz); [parts@amfreece.cz](mailto:parts@amfreece.cz); website: [www.amfreece.com](http://www.amfreece.com)

Phones: +420 582 309 146 (Service), +420 582 309 286 (Spare Parts); Fax: +420 582 360 606



**VERSION CT CLAMPING**



DET	PART NUMBER	DESCRIPTION	QTY.
48	<b>19.0033.1.401</b>	Screw	2
49	<b>08.6010.4.012</b>	Screw	4
50	<b>19.0016.1.402</b>	Nut	2
51	See Table Below	R.H. Clamp Mat	—
52	See Table Below	L.H. Clamp Mat	—
53	<b>19.0081.5.433</b>	L.H. Plate	1
54	19.0044.1.626	Roll	1
55	19.0012.1.404	Screw	1
56	12.2050.1.005	Needle Bearing	1
57	19.0041.1.400	Roll	1
58	17.0012.1.142	Screw	1

\* — Extra Part for CT

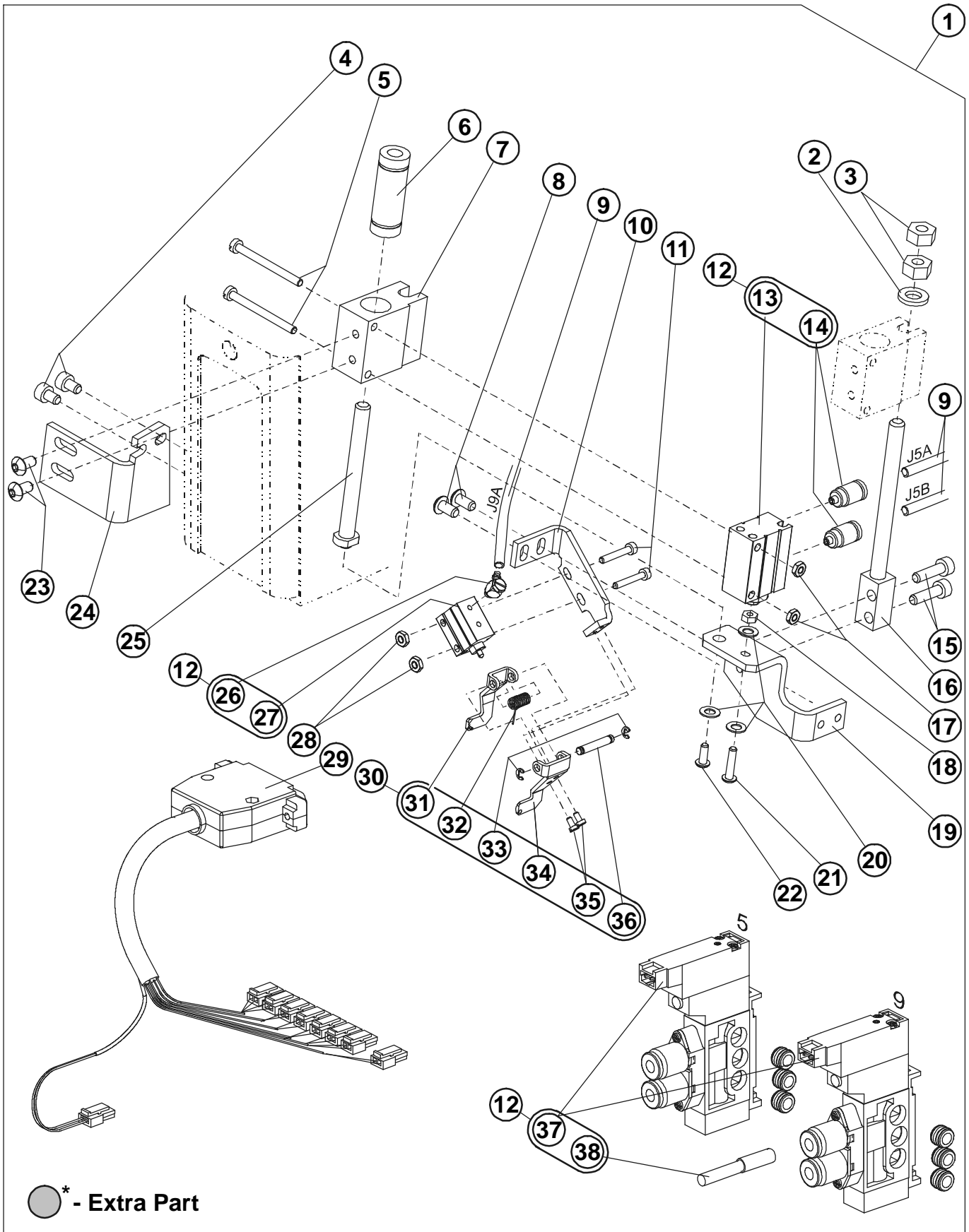
DET	MODIFICATION KIT — BUTTONHOLE LENGTH								DESCRIPTION
	19.0003.1.661		19.0003.1.662		19.0003.1.663		19.0003.1.664		
	16—20		20—24		24—28		28—32		
	PART NUMBER	QTY.	PART NUMBER	QTY.	PART NUMBER	QTY.	PART NUMBER	QTY.	
13	19.0066.7.424	1	19.0066.7.412	1	19.0066.7.428	1	19.0066.7.426	1	R.H. Clamp Foot
14	19.0066.7.425	1	19.0066.7.413	1	19.0066.7.429	1	19.0066.7.427	1	L.H. Clamp Foot
34	19.0081.5.462	1	19.0081.5.464	1	19.0081.5.466	1	19.0081.5.468	1	R.H. Plate
31	—		—		19.0081.5.441		1		Cover
38	19.0081.5.449		2		19.0081.5.449		1		Cover
39	08.6200.3.005		2		08.6200.3.005		2+1*		Screw
40	19.0063.3.402					1	19.0063.3.405	1	Lever
41	19.0081.0.512	1	19.0081.0.513					1	Lever
42	12.1010.0.206			2	12.1010.0.206			1	Pin
51	19.0081.1.766	1	18.0081.1.404	1	19.0081.1.768	1	19.0081.1.764	1	R.H. Clamp Mat
52	19.0081.1.767	1	18.0081.1.403	1	19.0081.1.769	1	19.0081.1.765	1	L.H. Clamp Mat

Revised 01/2007

E-mail: [service@amfreece.cz](mailto:service@amfreece.cz); [parts@amfreece.cz](mailto:parts@amfreece.cz); website: [www.amfreece.com](http://www.amfreece.com)

Phones: +420 582 309 146 (Service), +420 582 309 286 (Spare Parts); Fax: +420 582 360 606

**VERSION CT/LTT — THREAD CLAMP**



Revised 01/2007

E-mail: [service@amfreece.cz](mailto:service@amfreece.cz); [parts@amfreece.cz](mailto:parts@amfreece.cz); website: [www.amfreece.com](http://www.amfreece.com)

Phones: +420 582 309 146 (Service), +420 582 309 286 (Spare Parts); Fax: +420 582 360 606

**VERSION CT/LTT — THREAD CLAMP**

DET	PART NUMBER	DESCRIPTION	QTY.
01*	03.5519.3.013	Kit Thread Clamp	1
02	08.6850.6.000	Washer	(1)
03	08.6700.6.000	Nut	(2)
04	08.6200.4.006	Screw	(2)
05	08.6000.3.030	Screw	(2)
06	12.2070.0.020	Bearing	(1)
07	19.0064.8.438	Block	(1)
08	08.6200.4.006	Screw	(2)
09	19.0094.2.408	Air Tubing Assembly	(1)
10	19.0082.3.448	Bracket	(1)
11	08.6012.7.016	Screw	(2)
12	12.0008.3.535	Kit Pneu S311	(1)
13	12.0008.3.631	Cylinder	((1))
14	12.0008.3.628	Connector	((2))
15	08.6000.4.014	Screw	(2)
16	19.0032.6.404	Stud	(1)
17	08.6710.3.000	Nut M3	(2)
18	08.6700.3.000	Nut	(1)
19	19.0082.3.447	Bracket	(1)
20	08.6850.3.000	Washer	(3)
21	08.6000.3.010	Screw	(1)
22	08.6000.3.008	Screw	(1)
23	08.6200.4.008	Screw	(2)
24	19.0082.3.454	Holder	(1)
25	19.0033.3.405	Stud	(1)
26	12.0008.3.629	Connector	((1))
27	19.0008.3.410	Cylinder	((1))
28	08.6702.7.000	Nut M2,5	(2)
29	19.0007.9.483	Cable Assembly J1-J9	(1)
30	19.0002.0.463	Clamp Left Assembly	(1)
31	—	Clamp Left	((1))
32	19.0026.4.404	Spring	(1)
33	12.1045.0.001	E-Ring	((2))
34	—	Clamp Right	((1))
35	08.6010.2.004	Screw	(2)
36	19.0031.8.412	Stud	((1))
37	12.0008.3.482	Pneumatic Valve	((2))
38	12.0008.3.426	Plug	((1))

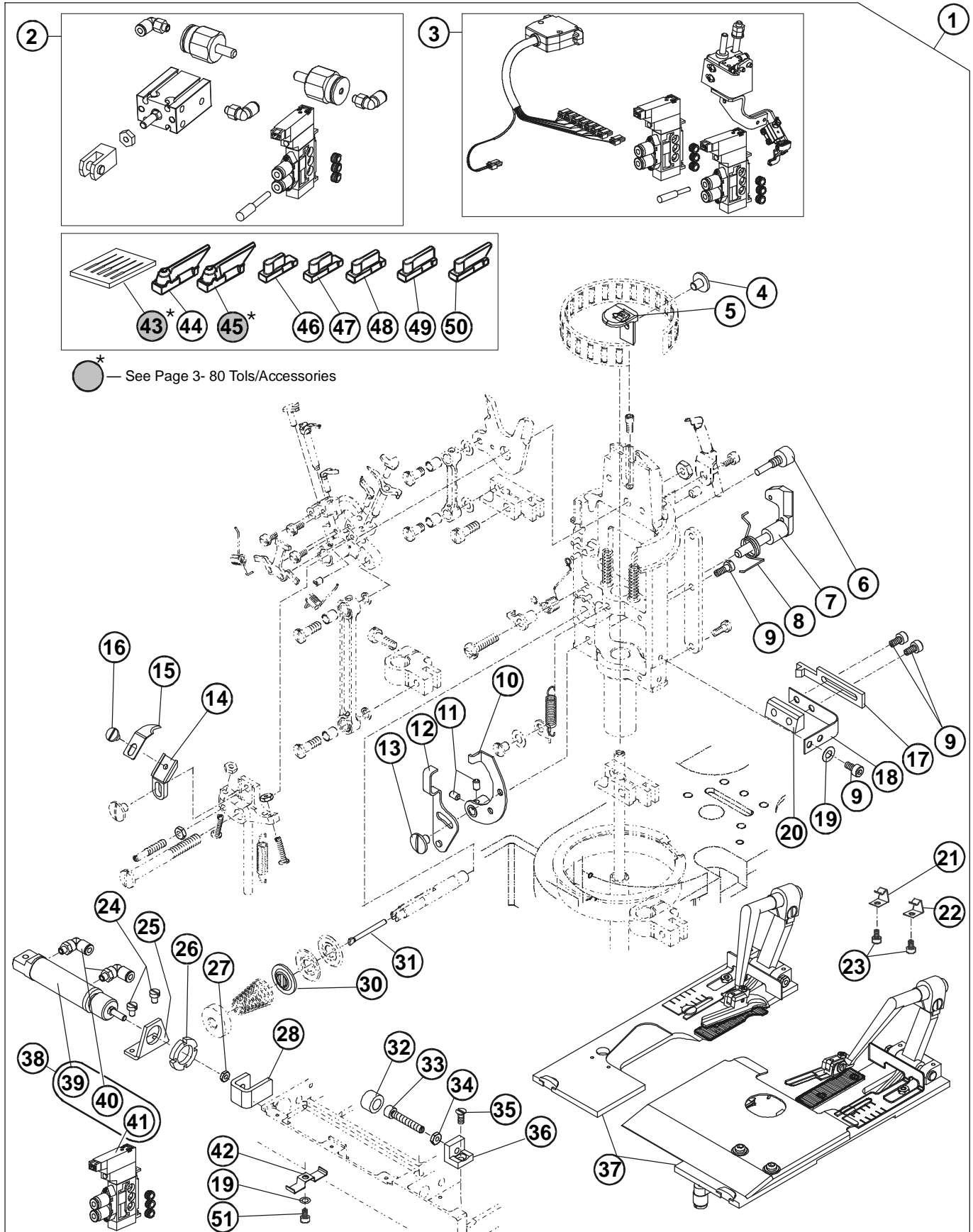
\* — Extra Part for CT

Revised 01/2007

E-mail: [service@amfreece.cz](mailto:service@amfreece.cz); [parts@amfreece.cz](mailto:parts@amfreece.cz); website: [www.amfreece.com](http://www.amfreece.com)

Phones: +420 582 309 146 (Service), +420 582 309 286 (Spare Parts); Fax: +420 582 360 606

# VERSION LTT



Revised 01/2007

E-mail: [service@amfreece.cz](mailto:service@amfreece.cz); [parts@amfreece.cz](mailto:parts@amfreece.cz); website: [www.amfreece.com](http://www.amfreece.com)

Phones: +420 582 309 146 (Service), +420 582 309 286 (Spare Parts); Fax: +420 582 360 606

**VERSION LTT**

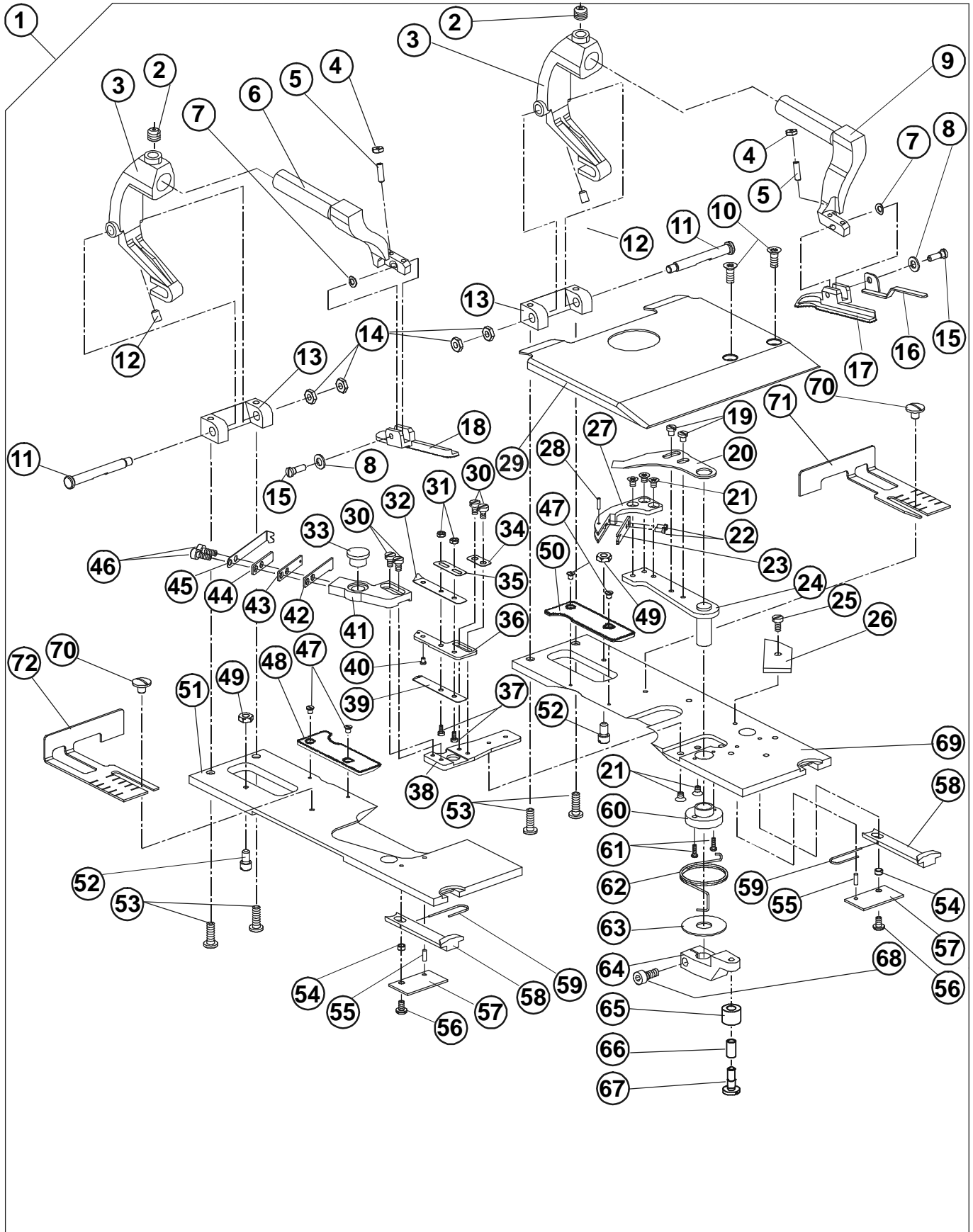
DET	PART NUMBER	DESCRIPTION	QTY.
01	03.5519.3.030	Kit S311 LTT	1
02	12.0008.3.531	Kit Pneu S311 AF	(1)
03	03.5519.3.013	Kit Thread Clamp	(1)
04	01.2056.1.000	Screw	(1)
05	10.4012.0.032	Throat Plate LTT	(1)
06	19.0013.0.001	Screw	(1)
07	19.0005.2.210	Lever	(1)
08	18.0026.4.403	Spring	(1)
09	08.6010.3.006	Screw	(3)
10	19.0005.2.219	Lever	(1)
11	08.6400.4.004	Screw	(2)
12	19.0082.2.526	Lever	(1)
13	17.0012.1.137	Screw	(1)
14	19.0082.3.410	Knife Holder	(1)
15	17.0087.0.204	Knife	(1)
16	17.0012.0.688	Screw	(1)
17	19.0062.5.405	Lever	(1)
18	18.0028.3.401	Spring	(1)
19	08.6850.3.000	Washer	(2)
20	18.0082.6.406	Block	(1)
21	19.0028.3.403	Spring Clip L.H.	(1)
22	19.0028.3.404	Spring Clip R.H.	(1)
23	19.0012.5.400	Screw M3-2,3	(2)
24	08.6012.4.006	Screw M4x6	(2)
25	19.0082.3.435	Holder	(1)
26	19.0016.3.408	Nut	(1)
27	08.6702.6.000	Nut M6	(1)
28	19.0082.3.434	Actuator	(1)
30	17.0082.8.082	Release Washer	(1)
31	18.0031.0.481	Pin	(1)
32	19.0095.1.406	Rest	(1)
33	08.6000.5.060	Screw M5x60	(1)
34	08.6710.5.000	Nut	(1)
35	08.6100.4.010	Screw	(1)
36	19.0064.6.472	Stop	(1)
37	19.0003.1.655	Kit Clamps	(1)
38	12.0008.3.534	Kit Pneumatics S311 LTT	(1)
39	12.0008.3.622	Cylinder	((1))
40	12.0008.3.411	Connector	((2))
41	12.0008.3.482	Pneumatic Valve	((1))
42	19.0082.6.434	Holder Tube	(2)
43	02.0558.0.111	Needle 558 Nm100	(5)
44	19.0087.0.432	Knife 28x42-38	(1)
45	19.0087.0.434	Knife 32x50-38	(1)
46	19.0064.5.849	Cuting Steel 16T	(1)
47	19.0064.5.952	Cuting Steel 19T	(1)
48	19.0064.5.852	Cuting Steel 22T	(1)
49	19.0064.5.854	Cuting Steel 26T	(1)
50	19.0064.5.856	Cuting Steel 32T	(1)
51	08.6000.3.006	Screw	1

Revised 01/2007

E-mail: [service@amfreece.cz](mailto:service@amfreece.cz); [parts@amfreece.cz](mailto:parts@amfreece.cz); website: [www.amfreece.com](http://www.amfreece.com)

Phones: +420 582 309 146 (Service), +420 582 309 286 (Spare Parts); Fax: +420 582 360 606

# VERSION LTT — CLAMPING



Revised 01/2007

E-mail: [service@amfreece.cz](mailto:service@amfreece.cz); [parts@amfreece.cz](mailto:parts@amfreece.cz); website: [www.amfreece.com](http://www.amfreece.com)

Phones: +420 582 309 146 (Service), +420 582 309 286 (Spare Parts); Fax: +420 582 360 606

## VERSION LTT — CLAMPING

DET	PART NUMBER	DESCRIPTION	QTY.
01	19.0003.1.665	Kit — LTT	1
02	08.6400.6.006	Screw	(2)
03	19.0063.5.418	Clamp Arm Base	(2)
04	08.6710.3.000	Nut	(2)
05	08.6400.3.010	Screw	(2)
06	19.0066.8.405	L.H.Clamp Arm	(1)
07	17.0019.2.066	Curved Spring Washer	(2)
08	17.0019.5.040	Lockwasher	(2)
09	19.0066.8.406	R.H.Clamp Arm	(1)
10	08.6132.4.010	Screw	(2)
11	19.0032.8.401	Shaft	(2)
12	08.6400.4.006	Screw	(2)
13	19.0064.7.402	Block	(2)
14	08.6710.4.000	Nut	(4)
15	17.0013.5.067	Screw	(2)
16	19.0082.3.439	Holder Cloth	(1)
17	19.0066.7.422	R.H.Clamp Foot	(1)
18	19.0066.7.423	L.H.Clamp Foot	(1)
19	17.0012.0.077	Screw	(2)
20	19.0082.6.427	Lower Thread Grasping Opener	(1)
21	08.6117.3.004	Screw	(5)
22	08.6010.2.004	Screw	(2)
23	19.0082.1.405	Treating Plate	(1)
24	19.0005.2.215	Lever	(1)
25	08.6012.3.006	Screw	(1)
26	19.0094.0.410	Rubber	(1)
27	19.0087.0.424	Knife	(1)
28	12.1014.0.000	Spring Pin	(1)
29	19.0004.1.402	Cover	(1)
30	08.6117.3.005	Screw	(4)
31	08.6702.2.000	Nut	(2)
32	19.0081.5.452	Gimp Grasping	(1)
33	19.0094.1.401	Rubber	(1)
34	19.0081.5.451	Grasping Spacer	(1)
35	19.0028.3.407	Spring	(1)
36	19.0082.6.432	Grasping Fixing Plate	(1)
37	08.6012.2.006	Screw	(2)
38	19.0082.6.426	Support Plate	(1)
39	19.0082.3.438	Lower Thread Grasping	(1)
40	19.0031.3.404	Pin	(1)
41	19.0066.8.402	Knife Holder	(1)
42	19.0081.5.453	Fixing Knife	(1)
43	19.0028.3.405	Spring Lower	(1)
44	19.0028.3.406	Spring Upper	(1)
45	19.0082.3.437	Guide Plate	(1)
46	08.6000.3.008	Screw	(2)
47	17.0012.3.054	Screw	(4)
48	19.0081.1.771	L.H. Long Clamp	(1)
49	19.0016.1.402	Nut	(2)
50	19.0081.1.770	R.H. Long Clamp	(1)

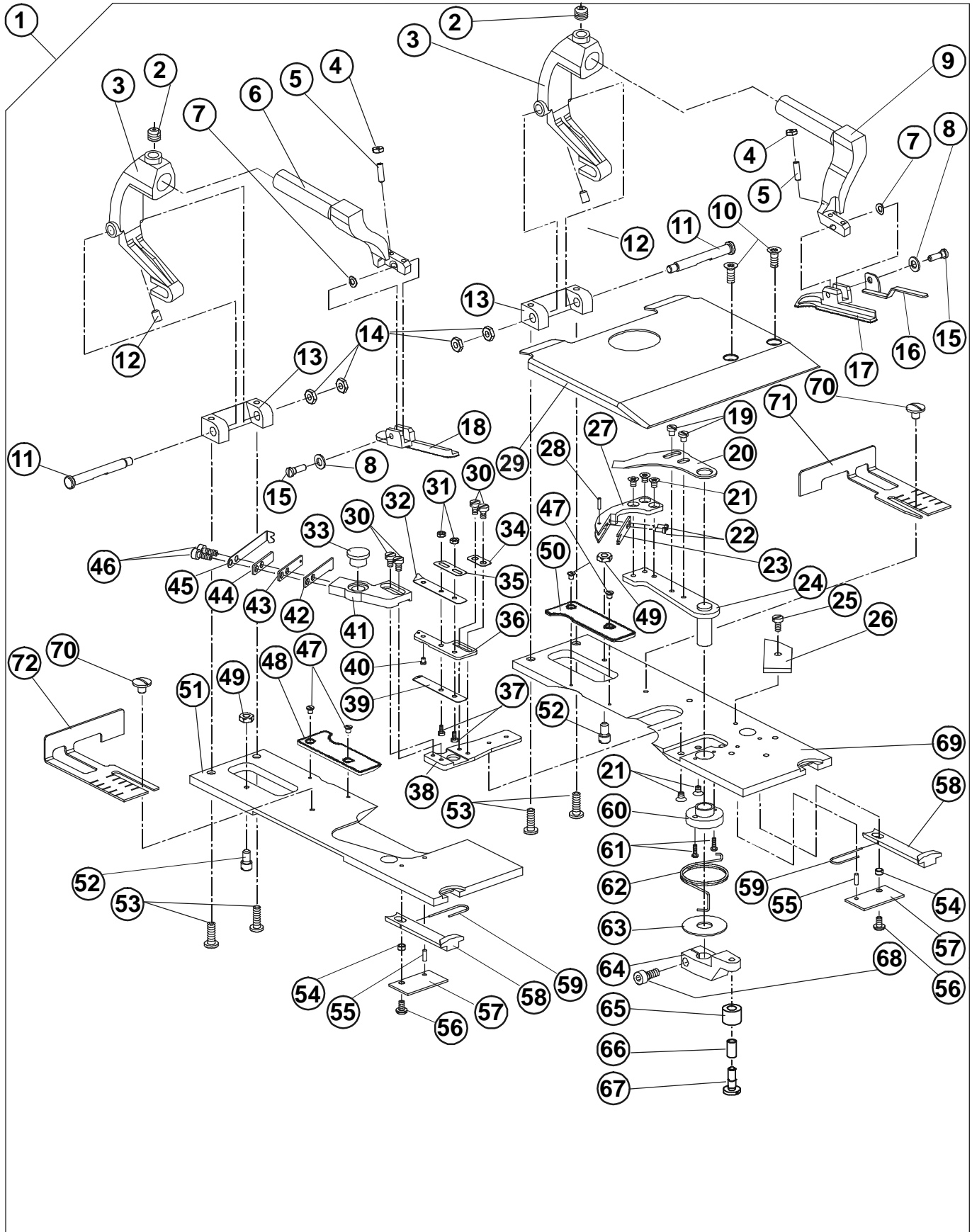


Revised 01/2007

E-mail: [service@amfreece.cz](mailto:service@amfreece.cz); [parts@amfreece.cz](mailto:parts@amfreece.cz); website: [www.amfreece.com](http://www.amfreece.com)

Phones: +420 582 309 146 (Service), +420 582 309 286 (Spare Parts); Fax: +420 582 360 606

# VERSION LTT — CLAMPING



Revised 01/2007

E-mail: [service@amfreece.cz](mailto:service@amfreece.cz); [parts@amfreece.cz](mailto:parts@amfreece.cz); website: [www.amfreece.com](http://www.amfreece.com)

Phones: +420 582 309 146 (Service), +420 582 309 286 (Spare Parts); Fax: +420 582 360 606



**VERSION LTT — CLAMPING**



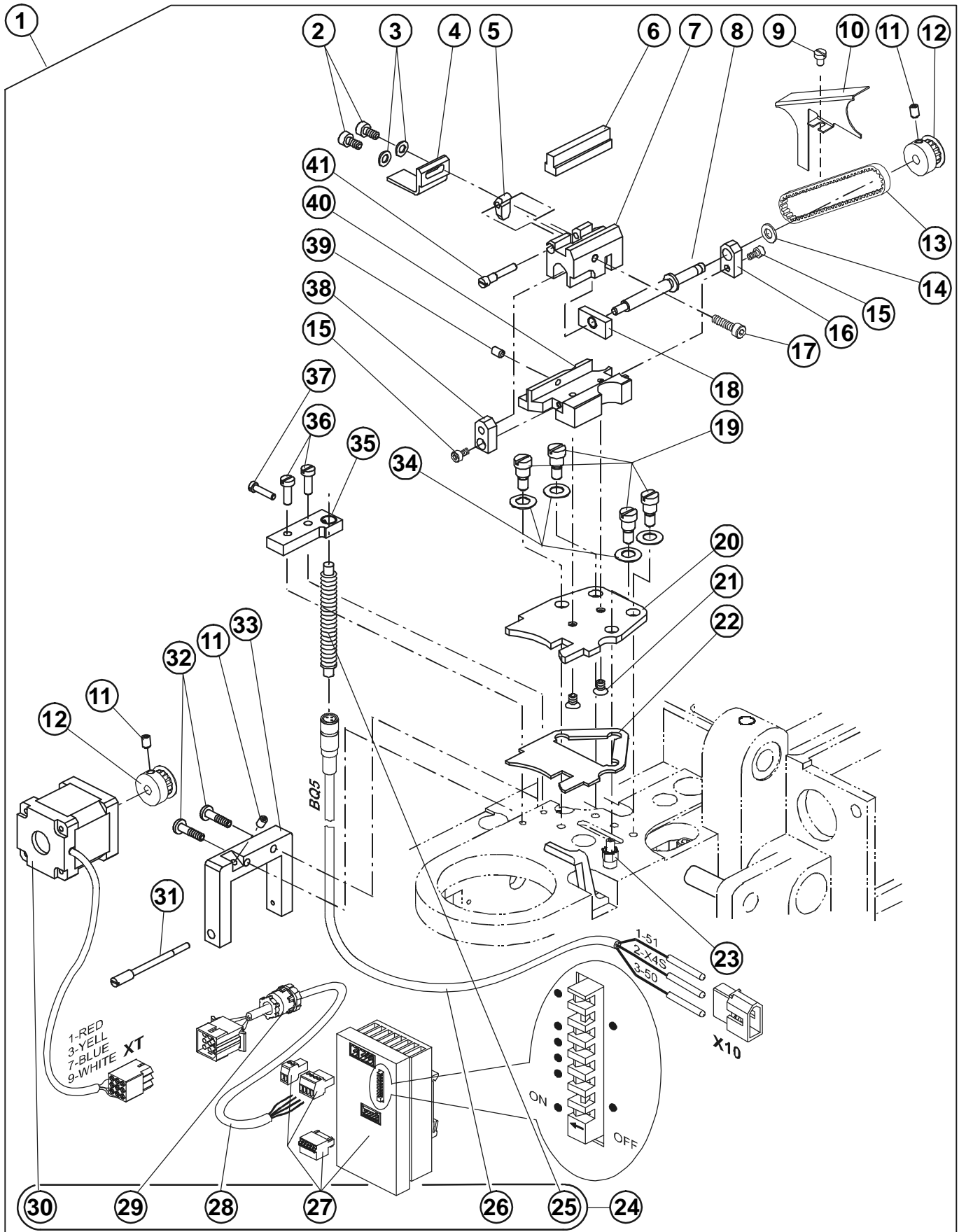
DET	PART NUMBER	DESCRIPTION	QTY.
51	19.0081.5.447	L.H.Plate	(1)
52	19.0033.1.401	Screw	(2)
53	08.6010.4.012	Screw	(4)
54	19.0041.0.684	Ring Insert	(2)
55	12.1010.0.206	Pin	(2)
56	08.6200.3.005	Screw	(2)
57	19.0081.5.449	Cover Plate	(2)
58	19.0062.5.408	Pawl	(2)
59	19.0027.1.610	Spring	(2)
60	19.0042.5.409	Bushing	(1)
61	08.6012.2.006	Screw	(2)
62	19.0026.4.402	Spring	(1)
63	19.0019.0.692	Washer	(1)
64	19.0061.3.611	Lever	(1)
65	12.2050.1.005	Bushing	(1)
66	19.0041.1.400	Bushing	(1)
67	17.0012.1.142	Screw	(1)
68	08.6000.4.014	Screw	(1)
69	19.0081.5.448	R.H.Plate	(1)
70	17.0012.4.106	Screw	(2)
71	19.0082.6.422	R.H.Cloth Gauge	(1)
72	19.0082.6.421	L.H.Cloth Gauge	(1)

Revised 01/2007

E-mail: [service@amfreece.cz](mailto:service@amfreece.cz); [parts@amfreece.cz](mailto:parts@amfreece.cz); website: [www.amfreece.com](http://www.amfreece.com)

Phones: +420 582 309 146 (Service), +420 582 309 286 (Spare Parts); Fax: +420 582 360 606

**VERSION ACL**



Revised 01/2007

E-mail: [service@amfreece.cz](mailto:service@amfreece.cz); [parts@amfreece.cz](mailto:parts@amfreece.cz); website: [www.amfreece.com](http://www.amfreece.com)

Phones: +420 582 309 146 (Service), +420 582 309 286 (Spare Parts); Fax: +420 582 360 606

## VERSION ACL

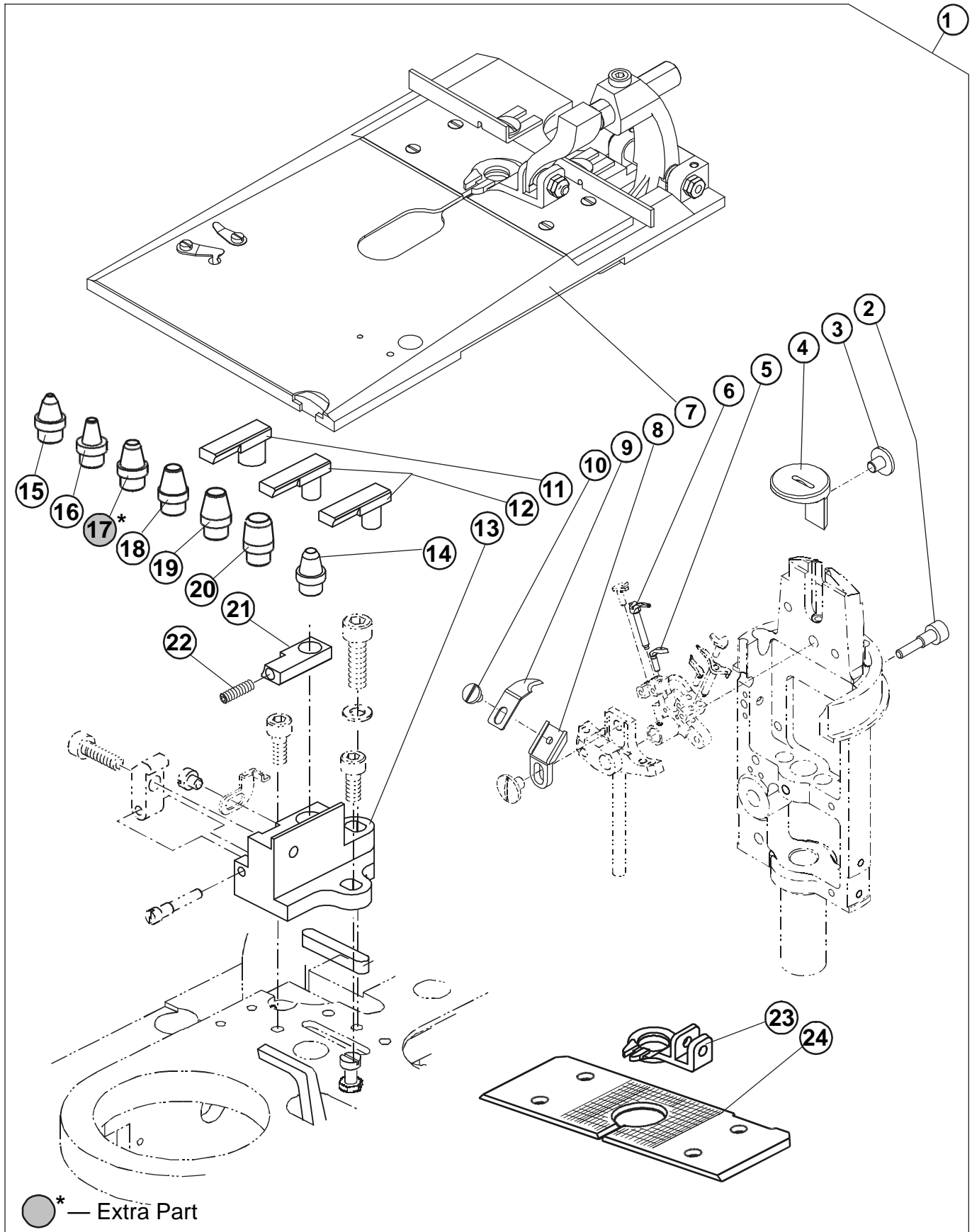
DET	PART NUMBER	DESCRIPTION	QTY.
01	03.5519.3.011	Kit — ACL	1
02	08.6000.4.008	Screw	1
03	08.6850.4.000	Washer	1
04	19.0082.3.455	Diaphragm	1
05	19.0063.6.447	Knife Clamp	1
06	19.0064.5.954	Cutting Steel	1
07	19.0062.2.407	Holder	1
08	19.0033.3.402	Shaft	1
09	08.6010.4.006	Screw	1
10	19.0083.1.671	Cover	1
11	08.6400.4.006	Screw	2
12	19.0055.4.418	Timing Belt Pulley	2
13	12.5050.2.012	Timing Belt	1
14	08.6887.5.000	Washer	1
15	08.6000.3.006	Screw	1
16	19.0064.7.431	Holder, Front	1
17	08.6000.4.016	Screw	1
18	19.0016.3.407	Nut	1
19	19.0033.2.403	Screw	4
20	19.0081.4.445	Plate, cutting Steel	1
21	08.6100.4.006	Screw	2
22	19.0095.2.400	Rubber Washer	1
23	17.0016.1.298	Nut	1
24	19.0007.9.025	Kit Elektro	1
25	12.0010.4.025	Sensor	(1)
26	19.0007.9.472	Cable Sensor Asembly	(1)
27	12.0008.4.898	Driver	(1)
28	19.0007.9.011	Guide St. Motor (T)	(1)
29	12.0008.4.231	Bushing	(1)
30	19.0007.9.518	Stepping Motor	(1)
31	19.0013.1.496	Screw	1
32	08.6200.4.016	Screw	2
33	19.0064.8.447	Holder Motor	1
34	12.3015.7.016	Washer	4
35	19.0064.8.446	Holder Sensor	1
36	08.6010.4.012	Screw	2
37	08.6000.3.014	Screw	1
38	19.0064.7.430	Holder, Rear	1
39	08.6490.4.009	Screw	1
40	19.0074.4.540	Guide, Cut Steel Holder	1
41	17.0013.1.415	Screw	1

Revised 01/2007

 E-mail: [service@amfreece.cz](mailto:service@amfreece.cz); [parts@amfreece.cz](mailto:parts@amfreece.cz); website: [www.amfreece.com](http://www.amfreece.com)

Phones: +420 582 309 146 (Service), +420 582 309 286 (Spare Parts); Fax: +420 582 360 606

# VERSION RDE



Revised 01/2007

E-mail: [service@amfreece.cz](mailto:service@amfreece.cz); [parts@amfreece.cz](mailto:parts@amfreece.cz); website: [www.amfreece.com](http://www.amfreece.com)

Phones: +420 582 309 146 (Service), +420 582 309 286 (Spare Parts); Fax: +420 582 360 606

**VERSION RDE**

DET	PART NUMBER	DESCRIPTION	QTY.
01	03.5519.3.050	Kit S311 RDE	1
02	19.0013.0.001	Screw	(1)
03	01.2056.1.000	Screw	(1)
04	10.4012.2.019	Throat Plate RDE	(1)
05	17.0069.4.047	Looper, Left	(1)
06	17.0004.9.893	Forked Spreader	(1)
07	19.0003.1.657	Clamps RDE	(1)
08	19.0082.3.410	Knife Holder	(1)
09	17.0087.0.204	Knife	(1)
10	17.0012.0.605	Screw	(1)
11	19.0064.5.974	Cutting Steel R7	(1)
12	19.0064.5.973	Cutting Steel R5	(2)
13	19.0074.4.537	Knife Holder RE	(1)
14	17.0042.6.086	Knife D3.5	(1)
15	17.0042.6.088	Knife D2	(1)
16	17.0042.6.090	Knife D3	(1)
17*	17.0042.6.082	Knife D4	1
18	17.0042.6.083	Knife D5	(1)
19	17.0042.6.084	Knife D6	(1)
20	17.0042.6.085	Knife D7	(1)
21	19.0064.6.493	Adapter Knife RE	(1)
22	08.6400.4.010	Screw M4x10	(1)
23	10.2552.3.006	Clamp Foot 14—15,5	(1)
24	10.2559.1.104	Clamp Mat 1/8"	(1)

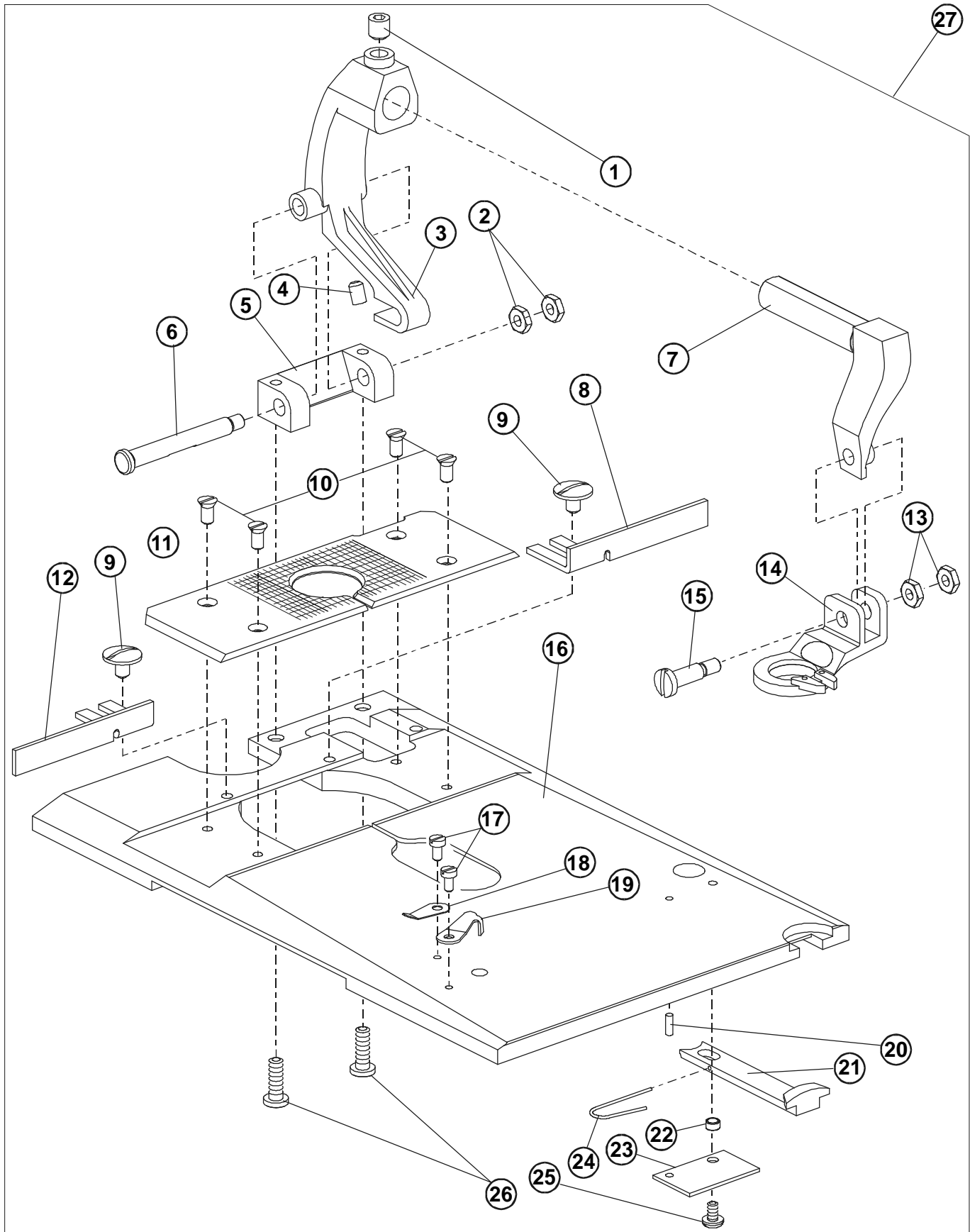
\* — Extra Part

Revised 01/2007

E-mail: [service@amfreece.cz](mailto:service@amfreece.cz); [parts@amfreece.cz](mailto:parts@amfreece.cz); website: [www.amfreece.com](http://www.amfreece.com)

Phones: +420 582 309 146 (Service), +420 582 309 286 (Spare Parts); Fax: +420 582 360 606

# CLAMPING RDE



Revised 01/2007

E-mail: [service@amfreece.cz](mailto:service@amfreece.cz); [parts@amfreece.cz](mailto:parts@amfreece.cz); website: [www.amfreece.com](http://www.amfreece.com)

Phones: +420 582 309 146 (Service), +420 582 309 286 (Spare Parts); Fax: +420 582 360 606

## CLAMPING RDE

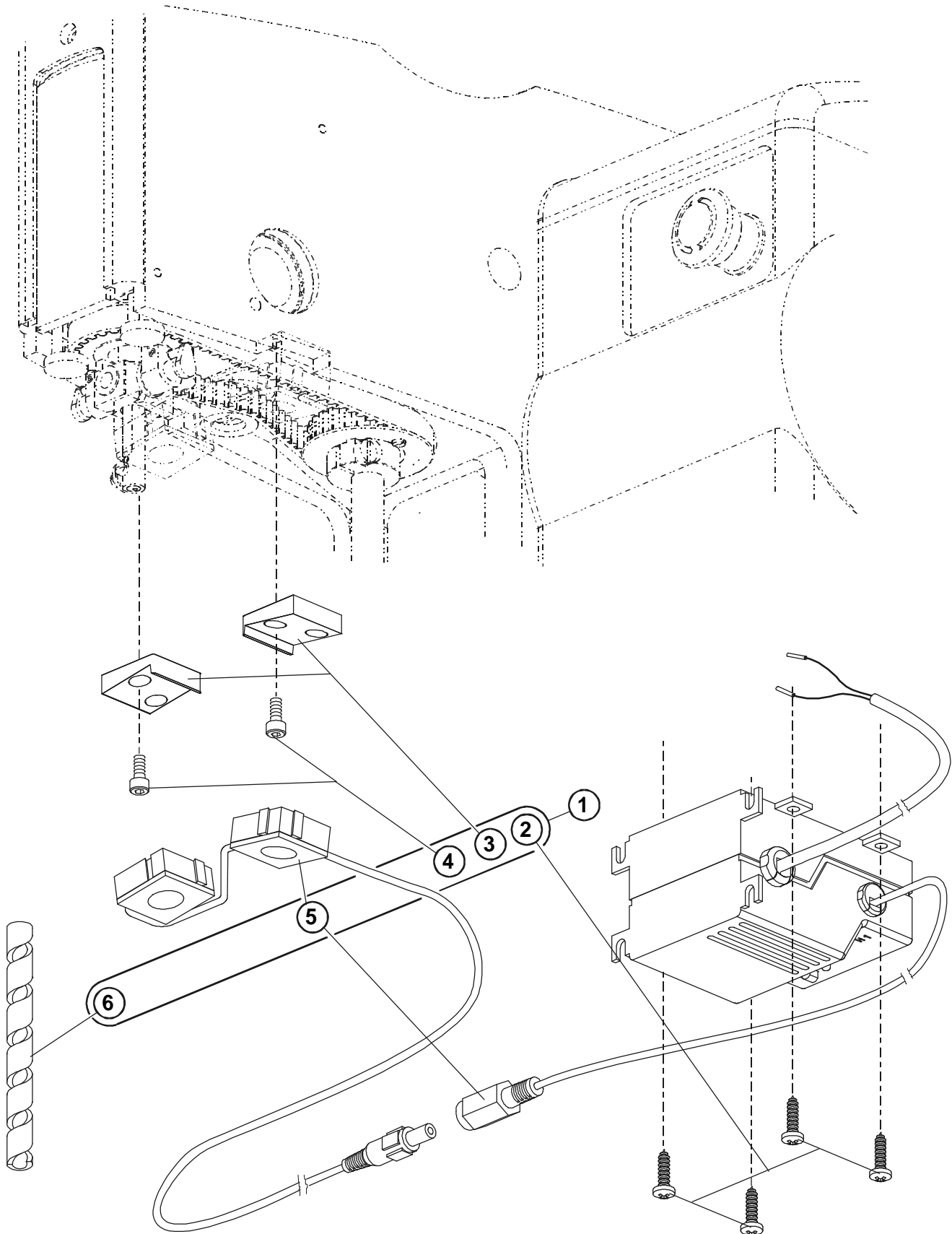
DET	PART NUMBER	DESCRIPTION	QTY.
01	08.6400.6.006	Screw M6x6	(1)
02	08.6710.4.000	Nut M4	(2)
03	19.0063.5.418	Base Clamp Arm RDE	(1)
04	08.6400.4.006	Screw M4x6	(1)
05	19.0064.7.402	Block	(1)
06	19.0032.8.401	Shaft	(1)
07	19.0066.8.404	Arm Clamp RDE	(1)
08	10.2566.0.000	L.H. Gauge	(1)
09	17.0012.4.070	Screw M4x6	(2)
10	17.0012.6.400	Screw M3,5x7	(4)
11	10.2559.1.010	Clamp Mat	(1)
12	10.2567.0.000	R.H. Gauge	(1)
13	08.6700.4.000	Nut M4	(2)
14	10.2552.3.006	Clamp Foot 14 — 15,5	(1)
15	17.0013.1.485	Screw	(1)
16	19.0081.5.430	Plate RDE	(1)
17	17.0012.0.350	Screw	(2)
18	17.0082.5.884	Clip	(1)
19	17.0087.0.169	Knife	(1)
20	12.1010.0.206	Pin	(1)
21	19.0062.5.408	Pawl	(1)
22	19.0041.0.684	Ring	(1)
23	19.0081.5.449	Cover	(1)
24	19.0027.1.610	Spring	(1)
25	08.6200.3.005	Screw M4x5	(1)
26	08.6010.4.012	Screw M4x12	(2)
27	19.0003.1.657	Clamps RDE	1

Revised 01/2007

E-mail: [service@amfreece.cz](mailto:service@amfreece.cz); [parts@amfreece.cz](mailto:parts@amfreece.cz); website: [www.amfreece.com](http://www.amfreece.com)

Phones: +420 582 309 146 (Service), +420 582 309 286 (Spare Parts); Fax: +420 582 360 606

# LED LIGHT



Revised 01/2007

E-mail: [service@amfreece.cz](mailto:service@amfreece.cz); [parts@amfreece.cz](mailto:parts@amfreece.cz); website: [www.amfreece.com](http://www.amfreece.com)  
Phones: +420 582 309 146 (Service), +420 582 309 286 (Spare Parts); Fax: +420 582 360 606



## LED LIGHT

DET	PART NUMBER	DESCRIPTION	QTY.
01	03.5519.3.002	LED Light Assembly	1
02	08.6632.3.016	Screw	(4)
03	19.0064.8.443	Holder Leds Diodes	(1)
04	08.6000.4.005	Screw	(2)
05	19.0007.9.038	LED Light Kit	(1)
06	12.0008.4.141	Flexible Tubing	(1)

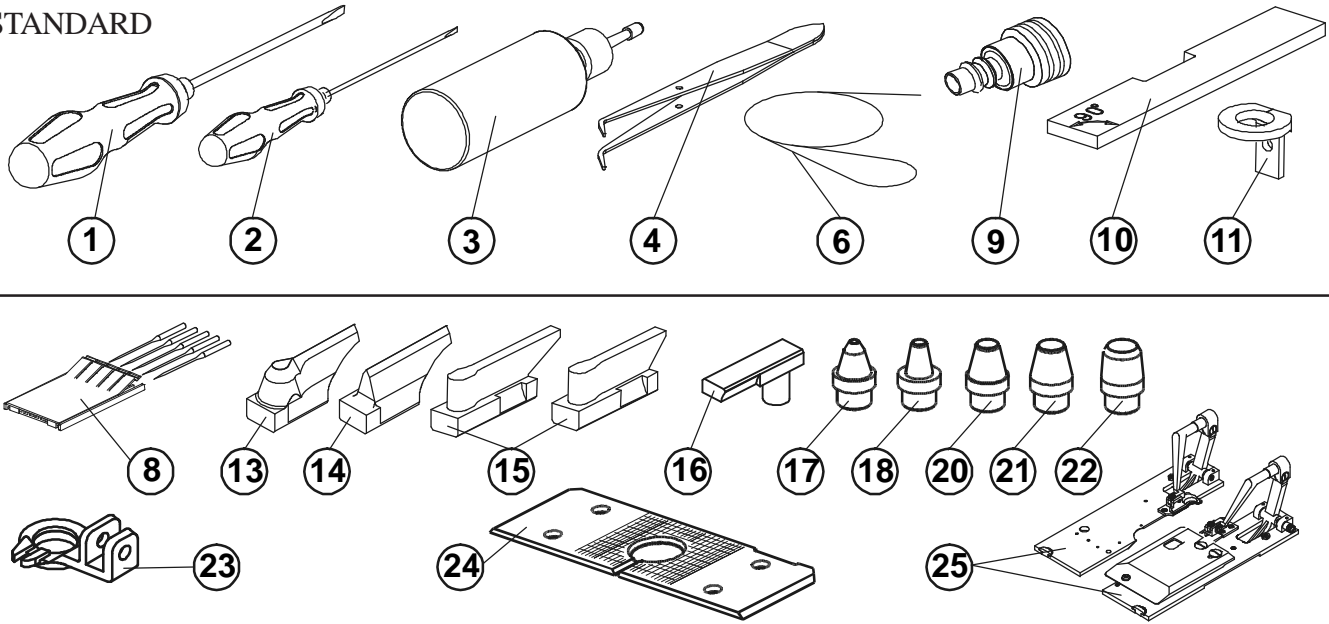
Revised 01/2007

E-mail: [service@amfreece.cz](mailto:service@amfreece.cz); [parts@amfreece.cz](mailto:parts@amfreece.cz); website: [www.amfreece.com](http://www.amfreece.com)

Phones: +420 582 309 146 (Service), +420 582 309 286 (Spare Parts); Fax: +420 582 360 606

# TOOLS/ACCESSORIES

## STANDARD



	DET.	PART NUMBER	DESCRIPTION	MODIFICATION													NOTE		
				AF	CT 16-20	CT 20-24	CT 24-28	CT 28-32	CT 16-32	LTT	AF/ACL	CT/ACL 16-20	CT/ACL 20-24	CT/ACL 24-28	CT/ACL 28-32	LTT/ACL		RDE	
STANDARD	01	12.0008.6.005	Screwdriver 5,5-180	1	1	1	1	1	1	1	1	1	1	1	1	1	1		
	02	12.0008.6.001	Screwdriver RECA	1	1	1	1	1	1	1	1	1	1	1	1	1	1		
	03	05.1322.0.000	Oil Can	1	1	1	1	1	1	1	1	1	1	1	1	1	1		
	04	12.0008.6.215	Tweezers	1	1	1	1	1	1	1	1	1	1	1	1	1	1		
	06	17.0027.1.223	Thread Wire	1	1	1	1	1	1	1	1	1	1	1	1	1	1		
	09	12.0008.3.608	Connector Dia 10	1	1	1	1	1	1	1	1	1	1	1	1	1	1		
	10	19.0081.6.412	Timing Gauge	1	1	1	1	1	1	1	1	1	1	1	1	1	1		
	11	19.0064.7.420	Timing Gauge	1	1	1	1	1	1	1	1	1	1	1	1	1	1		
	BY MODEL	08	02.0558.0.111	Needles 558 Nm 100	5						5	5					5	5	w ith cover
		08	02.0558.1.112	Needles 558 Nm 110		5	5	5	5	5			5	5	5	5			w ith cover
		13	19.0087.0.432	Eye Knife 28/42 - 38	1	1	1	1	1	1	1	1	1	1	1	1	1	1	
		19.0087.0.439	Knife 34x42 - 38	1							1	1					1		
14		17.0064.5.863	No Eye Knife 38	1							1								
15		19.0064.5.849	Cutting Steel 16T	1					1	1									
		19.0064.5.851	Cutting Steel 20T		1	1			1										
		19.0064.5.952	Cutting Steel 19T		1														
		19.0064.5.852	Cutting Steel 22T	1						1									
		19.0064.5.853	Cutting Steel 24T			1	1												
		19.0064.5.854	Cutting Steel 26T	1							1								
		19.0064.5.855	Cutting Steel 29T					1			1								
		19.0064.5.856	Cutting Steel 32T	1					1	1									
16		19.0064.5.974	Cutting Steel 7R															1	
17		17.0042.6.088	Knife D2															1	
18		17.0042.6.090	Knife D3															1	
20		17.0042.6.083	Knife D5															1	
21		17.0042.6.084	Knife D6															1	
22		17.0042.6.085	Knife D7															1	
23		10.2552.3.006	Clamp Foot 14-15,5															1	
24	10.2559.1.104	Clamp Mat 1/8" H															1		
25	19.0003.1.662	Clamps CT 20 - 24							1										
	19.0003.1.663	Clamps CT 24 - 28							1										
	19.0003.1.664	Clamps CT 28 - 32							1										

Revised 01/2007

E-mail: [service@amfreece.cz](mailto:service@amfreece.cz); [parts@amfreece.cz](mailto:parts@amfreece.cz); website: [www.amfreece.com](http://www.amfreece.com)

Phones: +420 582 309 146 (Service), +420 582 309 286 (Spare Parts); Fax: +420 582 360 606



**MODEL S-311+I**

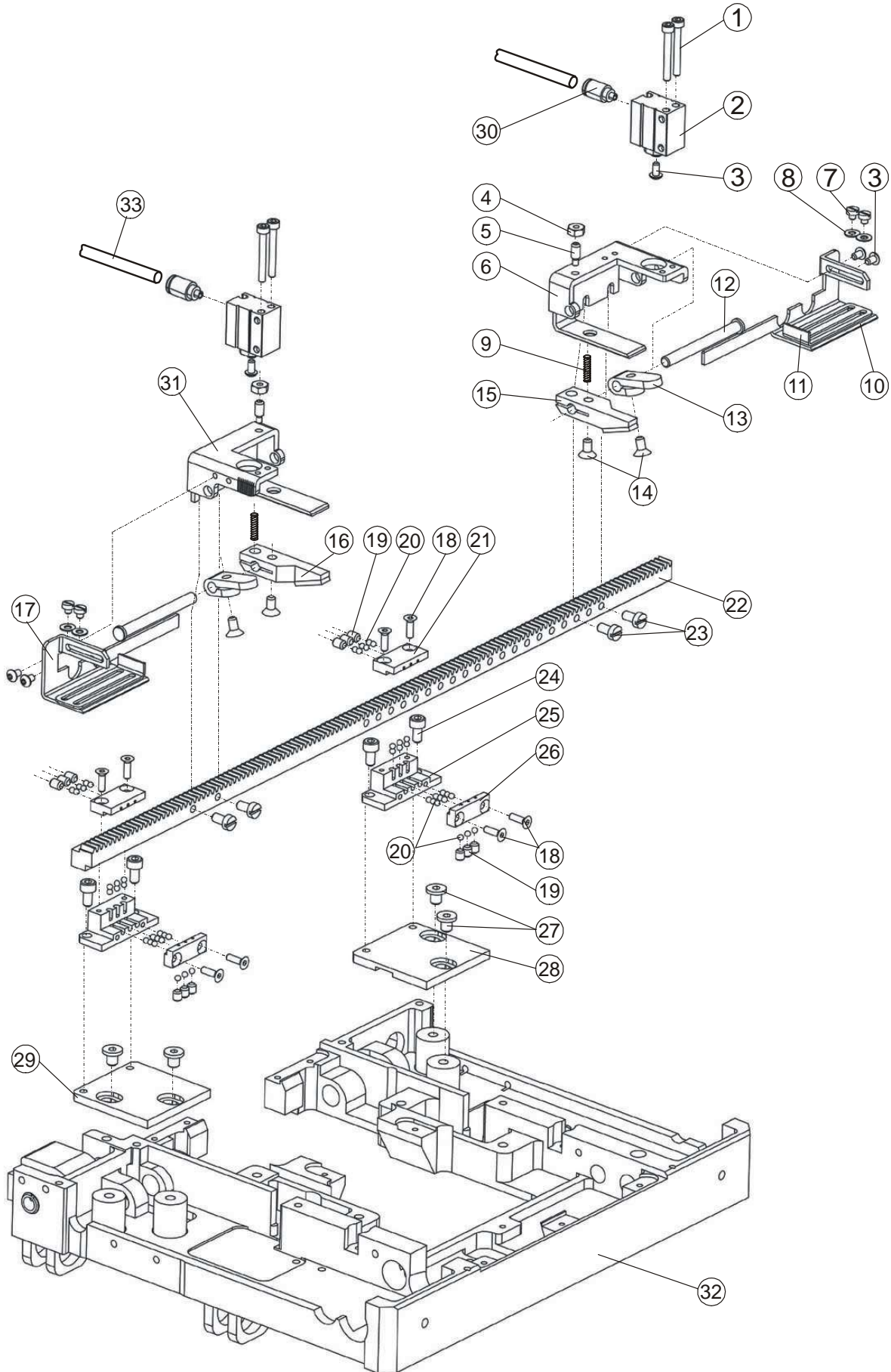
**ELECTRONIC EYELET BUTTONHOLE  
MACHINE**

**INDEXER PARTS**

**MACHINE SERIAL No.**

**PART NUMBER 97. 1930.0.001**

**BASE AND CLAMP**



Revised 01/2007

**BASE AND CLAMP**

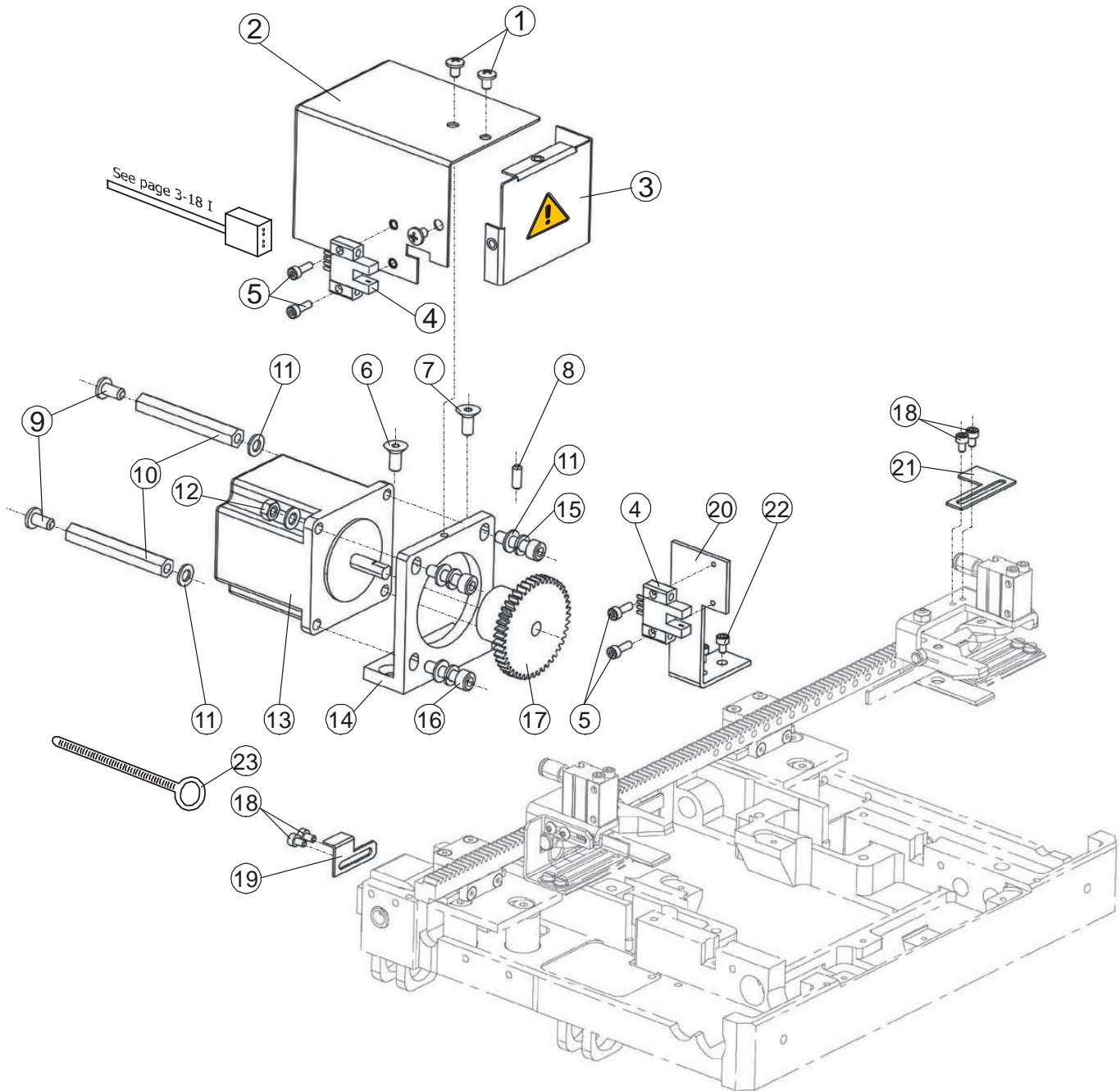
DET	PART NUMBER	DESCRIPTION	QTY.
01	08.6000.3.025	Screw	2
02	12.0008.3.729	Cylinder	2
03	08.6200.3.005	Screw	6
04	08.6700.4.000	Nut	2
05	19.0011.2.403	Spring Screw	2
06	19.0005.0.022	Cylinder Bracket Right	1
07	08.6012.3.003	Screw	4
08	08.6852.3.000	Washer	4
09	17.0026.1.084	Spring	2
10	19.0082.6.450	Front Gauge-Right(Jacket)	1
11	19.0082.6.448	Gauge	2
12	19.0032.0.403	Stud	2
13	19.0064.6.508	Lever	2
14	08.6100.4.008	Screw	4
15	19.0064.6.506	Clamp Foot Right	1
16	19.0064.6.507	Clamp Foot Left	1
17	19.0082.6.451	Front Gauge-Left(Jacket)	1
18	08.6100.3.010	Screw	8
19	08.6400.4.004	Screw	12
20	12.2099.1.000	Ball	48
21	19.0064.6.510	Carriage Cover-Upper	1
22	19.0064.7.429	Clamp Rack	1
23	08.6010.4.008	Screw	4
24	08.6000.4.008	Screw	4
25	19.0064.6.509	Carriage Base	2
26	19.0064.6.512	Carriage Cover-Lower	2
27	08.6050.5.006	Screw	4
28	19.0082.6.445	Left Bracket	1
29	19.0082.6.446	Right Bracket	1
30	12.0008.3.409	Connector	2
31	19.0005.0.021	Cylinder Bracket Left	1
32	19.0071.4.206	Bedplate	1
33	19.0094.2.414	Air Tubing	1

Revised 01/2007

e-mail: [service@amfreece.cz](mailto:service@amfreece.cz); [parts@amfreece.cz](mailto:parts@amfreece.cz); website: [www.amfreece.com](http://www.amfreece.com)

Phones: +420 582 309 146 (Service), +420 582 309 286 (Spare Parts); Fax: +420 582 360 606

**POWER**



**POWER**

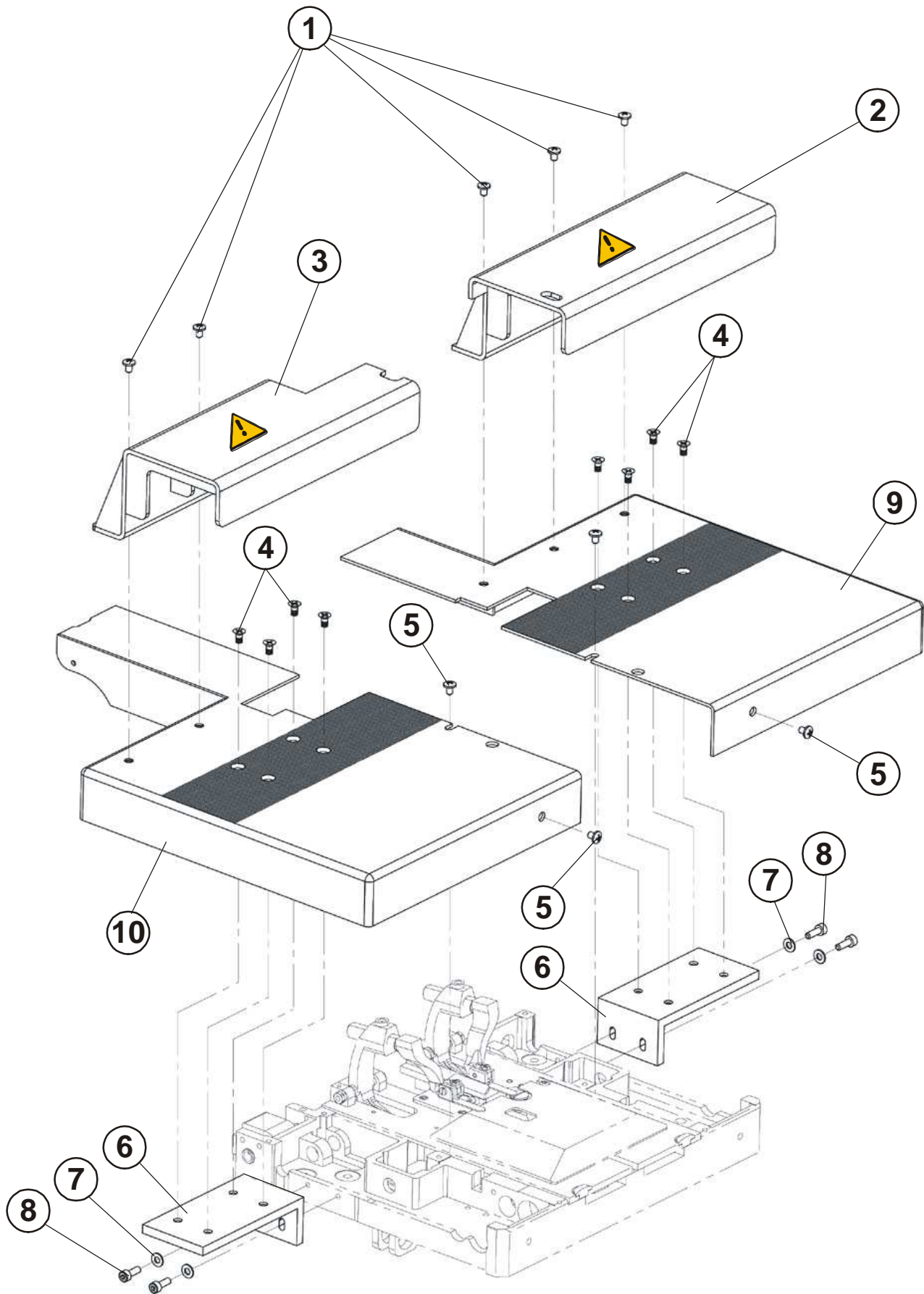
DET	PART NUMBER	DESCRIPTION	QTY.
01	08.6522.4.006	Screw	3
02	19.0005.0.020	Motor Cover	1
03	19.0005.0.019	Front Motor Cover	1
04	12.0010.4.038	Senzor	2
05	08.6000.3.010	Screw	4
06	08.6100.5.012	Screw	1
07	08.6100.5.010	Screw	1
08	08.6400.4.010	Screw	2
09	08.6032.5.010	Screw	2
10	12.0010.4.011	Spacer	2
11	08.6850.5.000	Washer	5
12	08.6700.5.000	Nut	1
13	19.0007.9.027	Motor	1
14	19.0074.0.000	Motor Holder	1
15	08.6800.5.000	LockWasher	3
16	08.6000.5.020	Screw	3
17	19.0055.4.422	Gear	1
18	08.6200.3.005	Screw	4
19	19.0081.5.475	Senzor Plate-Left	1
20	19.0082.3.462	Senzor Bracket-Right	1
21	19.0081.5.474	Senzor Plate-Right	1
22	08.6000.4.008	Screw	2
23	12.0010.4.013	Cable Binder	1

Revised 01/2007

e-mail: [service@amfreece.cz](mailto:service@amfreece.cz); [parts@amfreece.cz](mailto:parts@amfreece.cz); website: [www.amfreece.com](http://www.amfreece.com)

Phones: +420 582 309 146 (Service), +420 582 309 286 (Spare Parts); Fax: +420 582 360 606

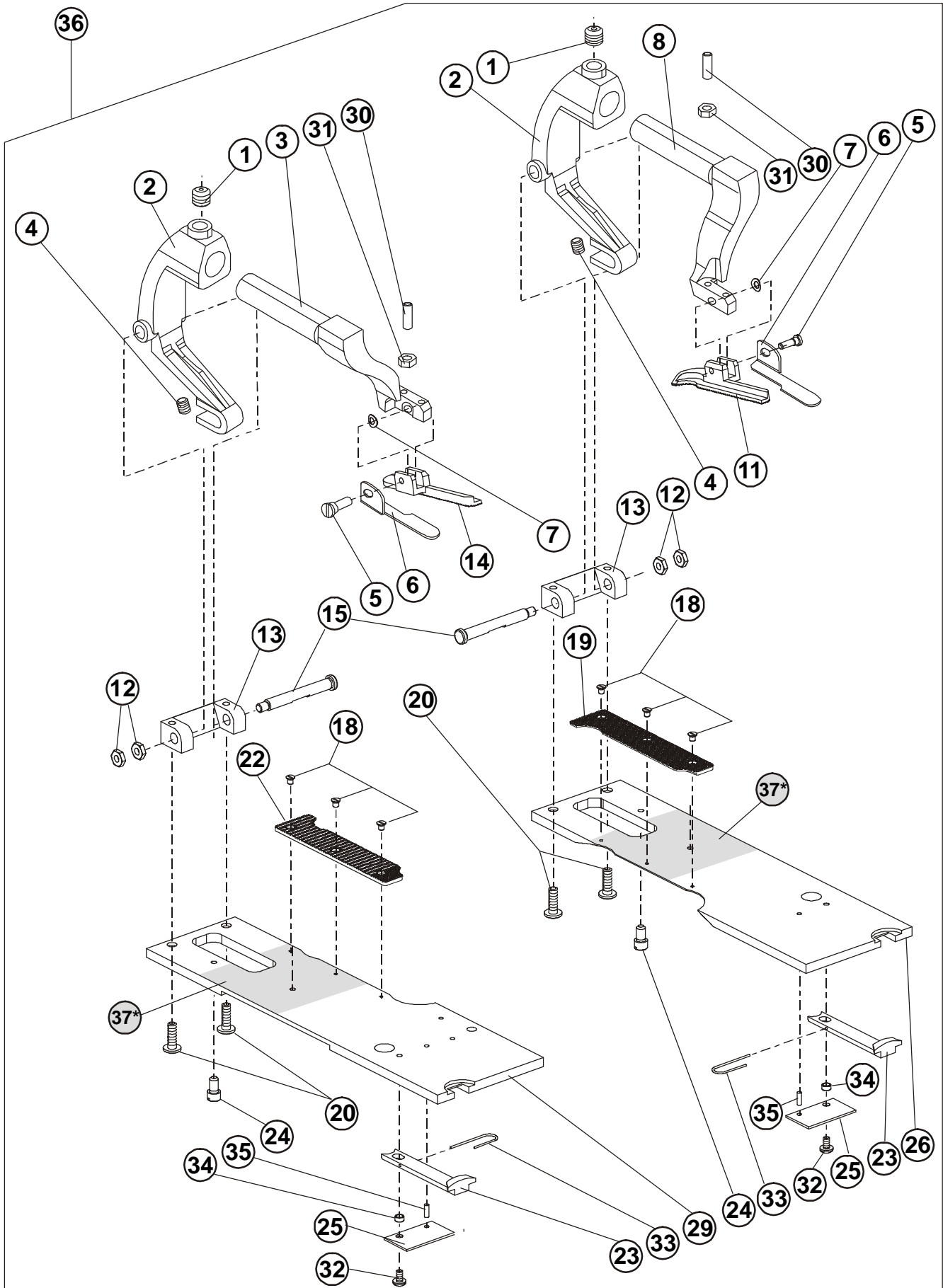
**COVERS**







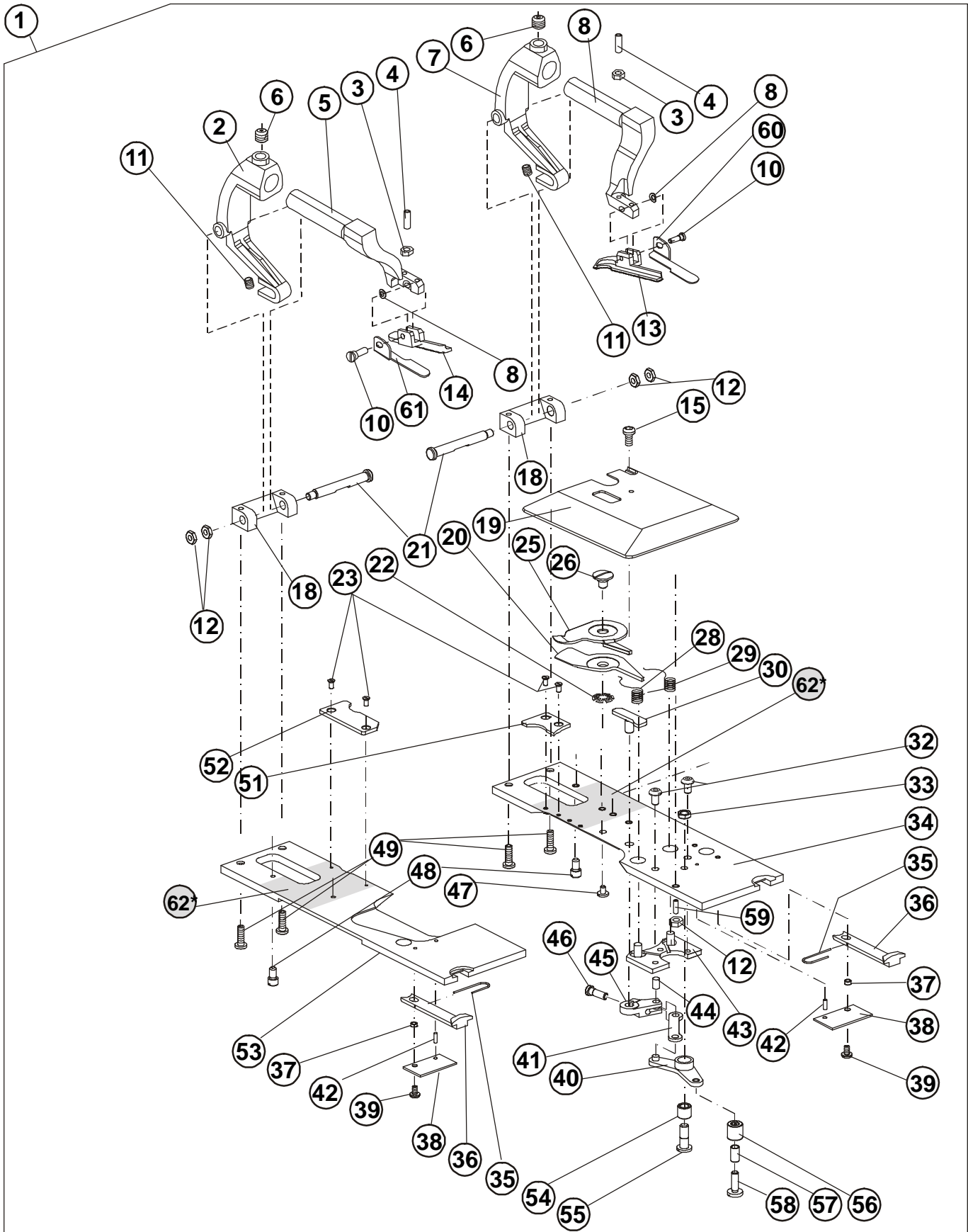
**CLAMPING - AF+I**



Revised 01/2007



**CLAMPING - CT+I**



Revised 01/2007

**CLAMPING - CT+I**

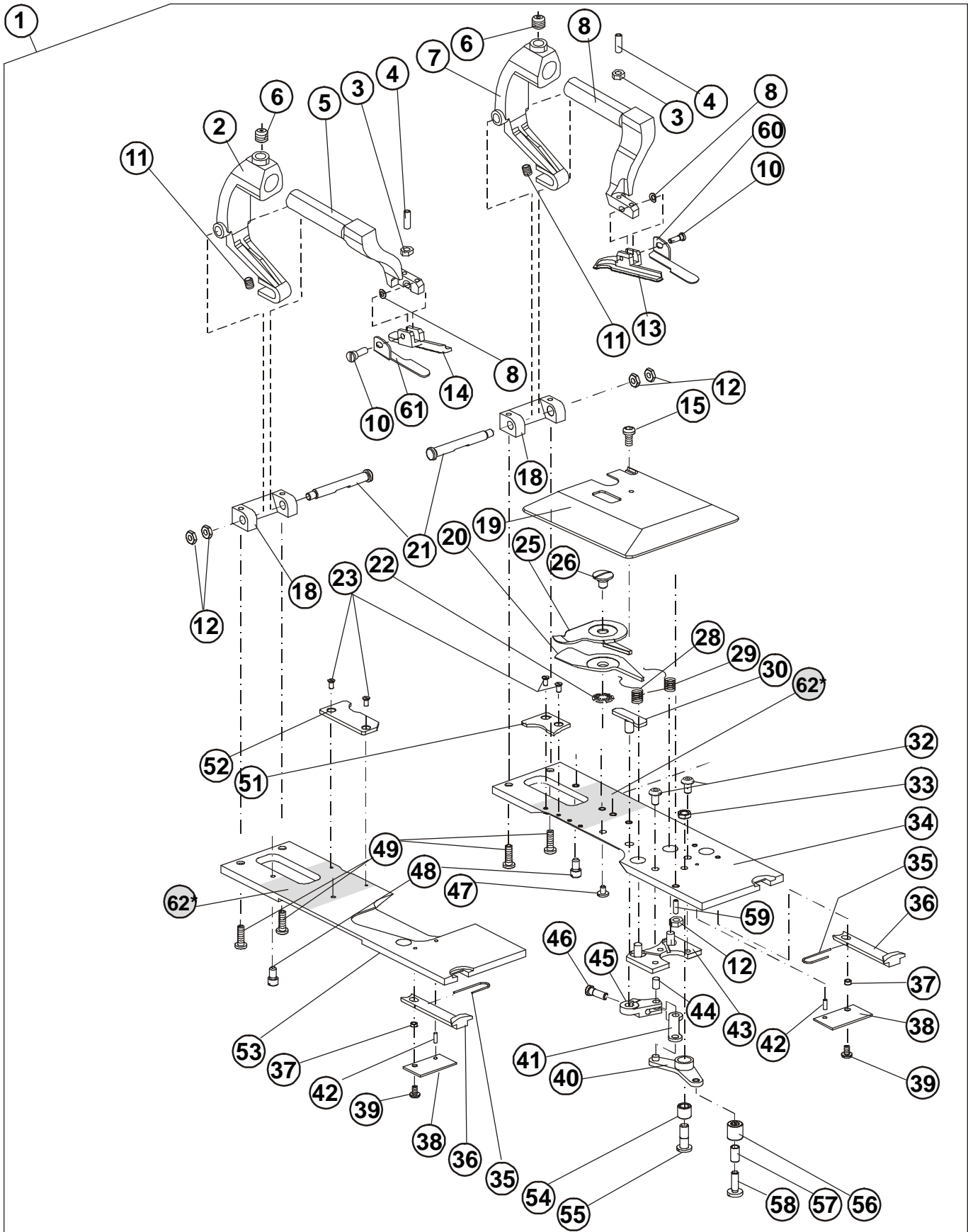
DET	PART NUMBER	DESCRIPTION	QTY.
01	19.0003.1.671	Modification (16—20) Jacket	
	19.0003.1.681	Modification (16 - 20) Jeans	
02	19.0063.5.418	Clamp Arm Base	2
03	08.6710.3.000	Nut	2
04	08.6400.3.010	Screw	2
05	19.0066.8.405	L.H. Clamp Arm	1
06	08.6400.6.006	Screw	
07	19.0066.8.406	R.H. Clamp Arm	1
08	17.0019.2.066	Curved Spring Washer	2
10	17.0013.5.067	Screw	2
11	08.6400.4.006	Screw	2
12	08.6710.4.000	Nut	5
13	18.0066.7.410	R.H. Clamp Foot Jacket	1
13	19.0066.7.424	R.H. Clamp Foot Jeans	1
14	18.0066.7.411	L.H. Clamp Foot Jacket	1
14	19.0066.7.425	L.H. Clamp Foot Jeans	1
15	08.6200.4.006	Screw	1
17	17.0012.4.106	Screw	2
18	19.0064.7.402	Block	2
19	19.0074.6.221	Cover Plate	1
20	19.0087.0.428	Lower Shear	1
21	19.0032.8.401	Screw	2
22	12.3013.0.002	Washer	1
23	17.0012.3.054	Screw	4
25	19.0087.0.425	Upper Shear	1
26	19.0013.1.498	Pivot Screw	1
27	19.0082.6.421	L.H. Cloth Gauge	1
28	17.0026.4.065	L.H. Spring	1
29	17.0026.4.064	R.H. Spring	1
30	19.0062.5.404	Actuator	1
32	17.0012.4.103	Screw	2
33	17.0016.1.054	Nut	1
34	19.0081.5.462	R.H. Plate	1
35	19.0027.1.610	Spring	2
36	19.0062.5.408	Pawl	2
37	19.0041.0.684	Ring	2
38	19.0081.5.449	Cover	2
39	08.6200.3.005	Screw	2
40	19.0063.3.402	Lever	1
41	19.0081.0.512	Lever	1
42	12.1010.0.206	Pin	2
43	19.0005.2.212	Actuator	1
44	12.1010.0.408	Pin	1
45	19.0061.3.605	Lower Lever	1
46	17.0012.0.543	Screw	1
47	17.0012.0.605	Screw	1
48	19.0033.1.404	Screw	2
49	08.6010.4.012	Screw	4

Revised 01/2007

e-mail: [service@amfreece.cz](mailto:service@amfreece.cz); [parts@amfreece.cz](mailto:parts@amfreece.cz); website: [www.amfreece.com](http://www.amfreece.com)

Phones: +420 582 309 146 (Service), +420 582 309 286 (Spare Parts); Fax: +420 582 360 606

**CLAMPING - CT+I**



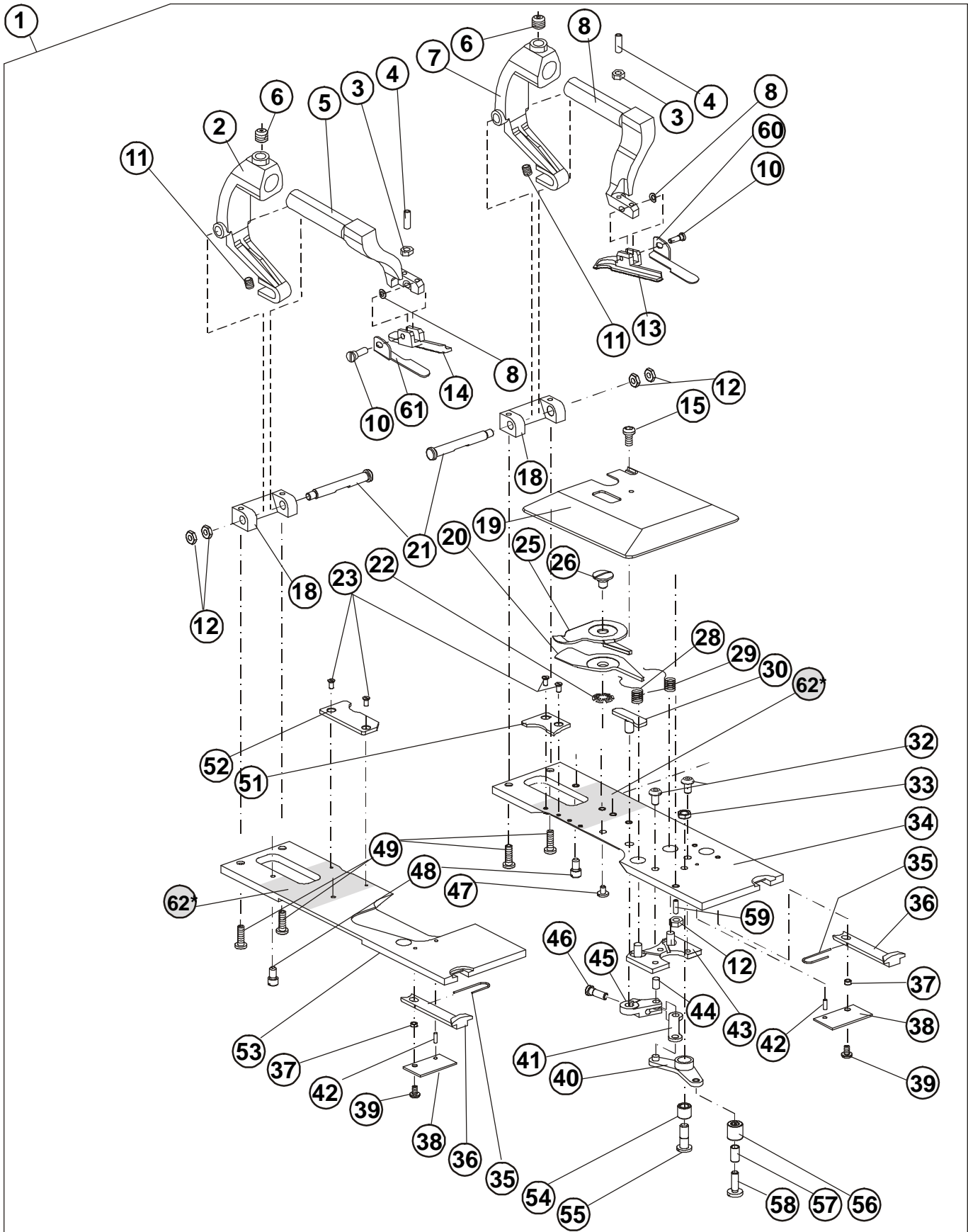
Revised 01/2007

**CLAMPING - CT+I**

DET	PART NUMBER	DESCRIPTION	QTY.
51	19.0081.1.766	R.H. Clamp Mat	1
52	19.0081.1.767	L.H. Clamp Mat	1
53	19.0081.5.447	L.H. Plate	1
54	19.0044.1.626	Roll	1
55	19.0012.1.404	Screw	1
56	12.2050.1.005	Needle Bearing	1
57	19.0041.1.400	Roll	1
58	17.0012.1.142	Screw	1
59	08.6490.4.009	Screw	1
60	19.0081.5.472	Holder Cloth - Right	1
61	19.0081.5.473	Holder Cloth - Left	1
62*	12.0008.6.981	Teflon Tape	

\* — Extra Part

**CLAMPING - CT+I**



Revised 01/2007



**CLAMPING - CT+I**

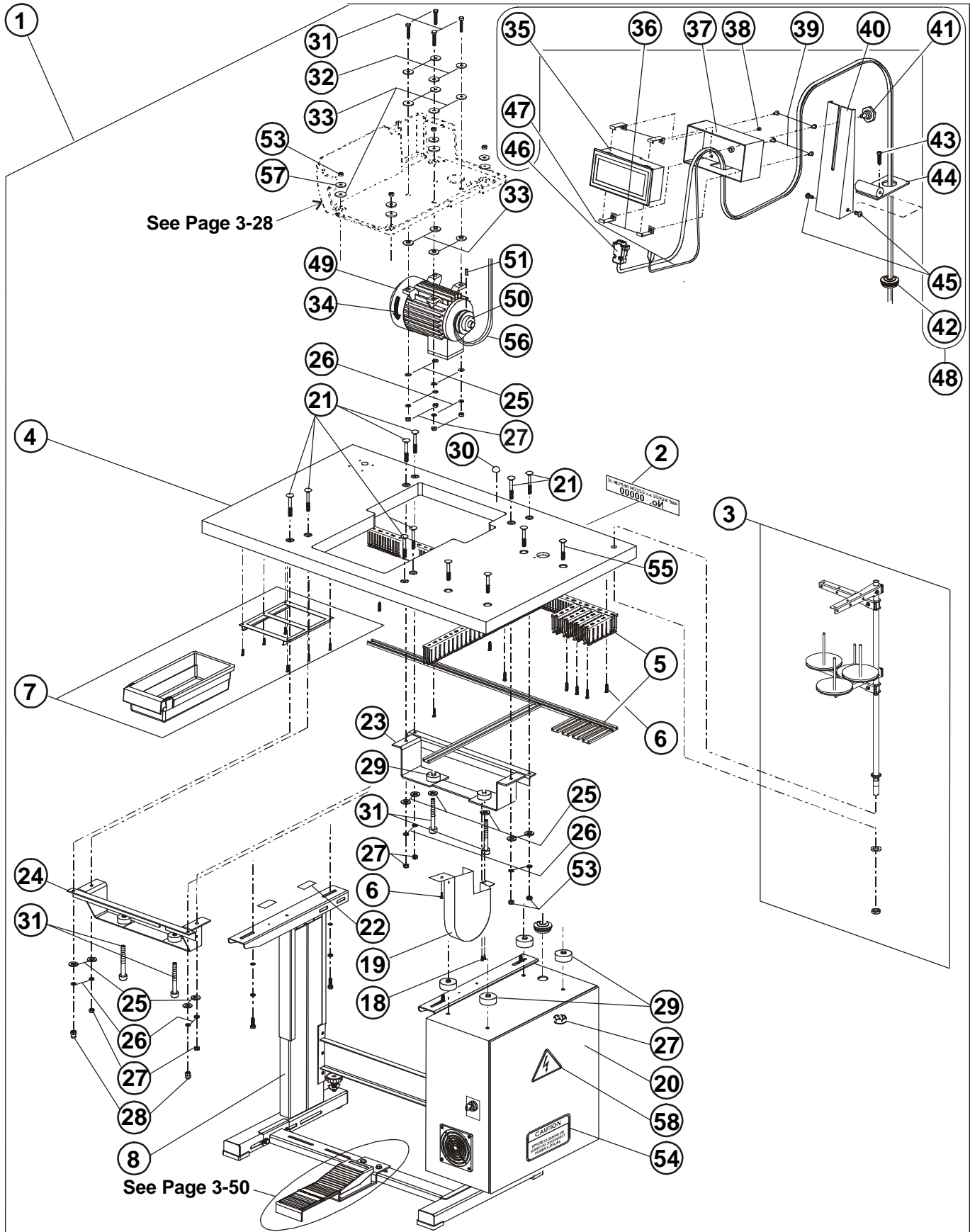
DET	PART NUMBER	DESCRIPTION	QTY.
01	19.0003.1.682	Modification (20—24) Jeans	
02	19.0063.5.418	Clamp Arm Base	2
03	08.6710.3.000	Nut	2
04	08.6400.3.010	Screw	2
05	19.0066.8.405	L.H. Clamp Arm	1
06	08.6400.6.006	Screw	
07	19.0066.8.406	R.H. Clamp Arm	1
08	17.0019.2.066	Curved Spring Washer	2
10	17.0013.5.067	Screw	2
11	08.6400.4.006	Screw	2
12	08.6710.4.000	Nut	5
13	19.0066.7.412	R.H. Clamp Foot Jeans	1
14	19.0066.7.413	L.H. Clamp Foot Jacket	1
15	08.6200.4.006	Screw	1
18	19.0064.7.402	Block	2
19	19.0074.6.221	Cover Plate	1
20	19.0087.0.428	Lower Shear	1
21	19.0032.8.401	Screw	2
22	12.3013.0.002	Washer	1
23	17.0012.3.054	Screw	4
25	19.0087.0.425	Upper Shear	1
26	19.0013.1.498	Pivot Screw	1
28	17.0026.4.065	L.H. Spring	1
29	17.0026.4.064	R.H. Spring	1
30	19.0062.5.404	Actuator	1
32	17.0012.4.103	Screw	2
33	17.0016.1.054	Nut	1
34	19.0081.5.464	R.H. Plate	1
35	19.0027.1.610	Spring	2
36	19.0062.5.408	Pawl	2
37	19.0041.0.684	Ring	2
38	19.0081.5.449	Cover	2
39	08.6200.3.005	Screw	2
40	19.0063.3.402	Lever	1
41	19.0081.0.512	Lever	1
42	12.1010.0.206	Pin	2
43	19.0005.2.212	Actuator	1
44	12.1010.0.408	Pin	1
45	19.0061.3.605	Lower Lever	1
46	17.0012.0.543	Screw	1
47	17.0012.0.605	Screw	1
48	19.0033.1.404	Screw	2
49	08.6010.4.012	Screw	4
51	18.0081.1.404	R.H. Clamp Mat	1
52	18.0081.1.403	L.H. Clamp Mat	1
53	19.0081.5.447	L.H. Plate	1
54	19.0044.1.626	Roll	1
55	19.0012.1.404	Screw	1
56	12.2050.1.005	Needle Bearing	1
57	19.0041.1.400	Roll	1
58	17.0012.1.142	Screw	1
59	08.6490.4.009	Screw	1
60	19.0081.5.472	Holder Cloth - Right	1
61	19.0081.5.473	Holder Cloth - Left	1
62*	12.0008.6.981	Teflon Tape	
*	— Extra Part		

Revised 01/2007

e-mail: [service@amfreece.cz](mailto:service@amfreece.cz); [parts@amfreece.cz](mailto:parts@amfreece.cz); website: [www.amfreece.com](http://www.amfreece.com)

Phones: +420 582 309 146 (Service), +420 582 309 286 (Spare Parts); Fax: +420 582 360 606

**TABLE**



Revised 01/2007

**TABLE**

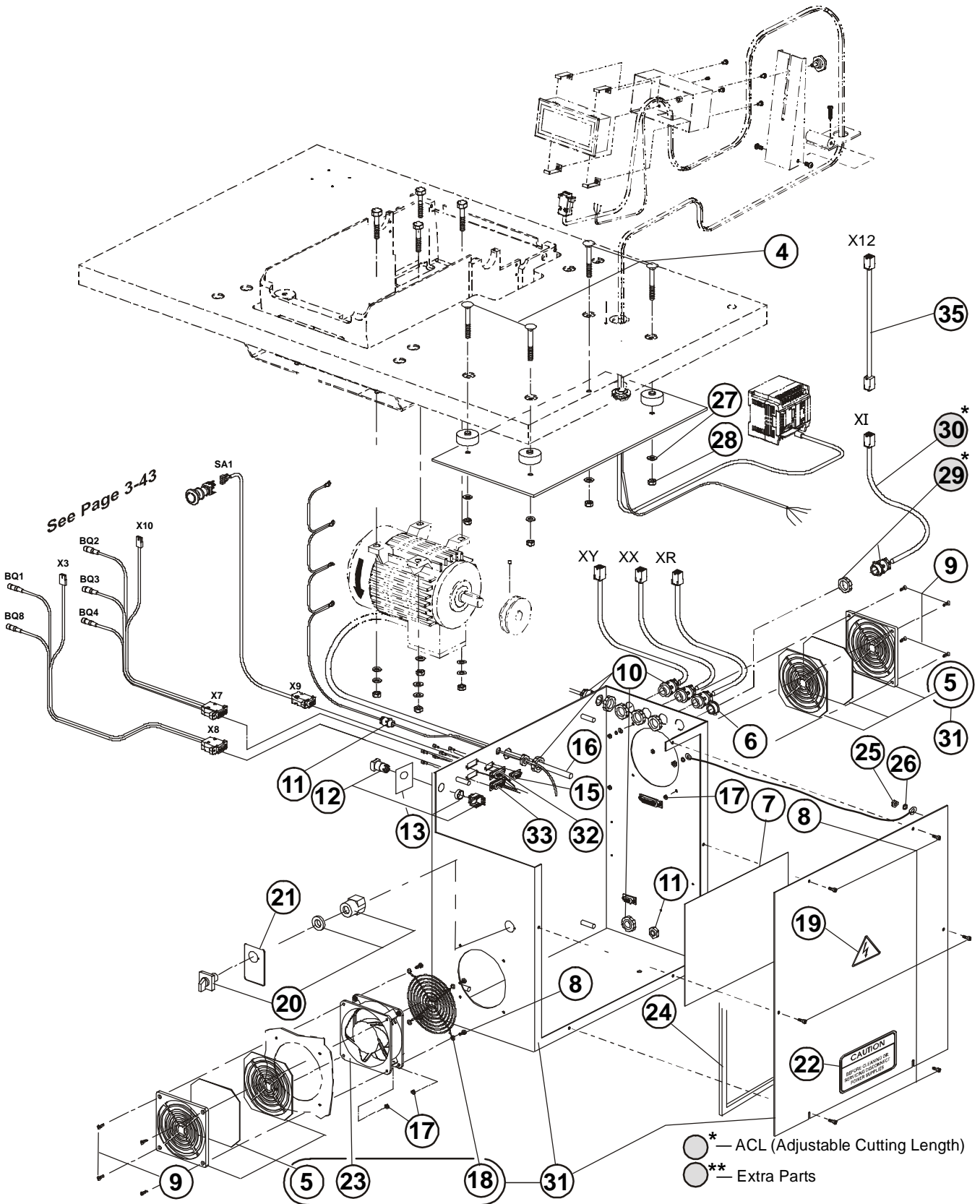
DET	PART NUMBER	DESCRIPTION	QTY.
01	03.5519.1.091	Table Assembly	1
02	04.1416.0.003	Label "No. xxxxx" ●●●	1
03	17.0003.6.156	Thread Stand Assembly	1
04	19.0091.0.402	Table Top ●●●	1
05	19.0095.2.403	Latch for Cable Kit ●●●	1
06	08.6632.3.016	Screw	15
07	12.0008.6.901	Drawer Kit ●●●	1
08	04.9000.2.123	Frame Kit	1
18	08.6000.4.008	Screw	2
19	19.0005.0.028	Cover Pulley ●●●	1
20	19.0006.9.448	Electrical Box Assembly ▫	1
21	08.6532.8.050	Screw	8
22	17.0094.0.200	Washer	4
23	19.0005.0.016	Framework	1
24	19.0005.0.015	Framework	1
25	08.6852.8.000	Washer	12
26	08.6802.8.000	Spring Washer	12
27	08.6702.8.000	Nut	14
28	08.6722.8.000	Nut	2
29	19.0095.1.405	Rubber Washer	8
30	12.0008.6.915	Holder	1
31	08.6312.8.040	Screw	8
32	01.4750.0.000	Washer	4
33	17.0095.1.272	Rubber Washer	12
34	17.0097.5.182	Label	1
35	19.8001.1.105	Display	(1)
36	19.0005.0.012	Panel Holder Got	(4)
37	19.0005.0.011	Display Box	(1)
38	08.6000.3.005	Screw	(1)
39	08.6032.4.010	Screw	(4)
40	19.0083.7.002	Display Box Holder	(1)
41	24.4019.0.000	Screw	(1)
42	12.0008.4.366	Bushing	(1)
43	08.6663.5.025	Screw	(1)
44	19.0005.0.013	Panel Stand Base	(1)
45	08.6200.6.010	Screw	(2)
46	12.0008.4.821	Cable	(1)
47	19.0007.9.477	Cable	(1)
48	03.5519.0.003	Touch Screen Assembly	1
49	12.0008.4.757	Motor	1
50	19.0052.0.501	Puley	1
51	08.6400.6.006	Screw M6x6	1
53	08.6733.8.000	M8 Nut Lock	4
54	00.2751.3.602	Label	1
55	08.6532.8.070	Screw	4
56	12.5050.1.501	Belt	1
57	17.0019.0.441	Washer	4
58	17.0097.5.174	Label	1

Revised 01/2007

e-mail: [service@amfreece.cz](mailto:service@amfreece.cz); [parts@amfreece.cz](mailto:parts@amfreece.cz); website: [www.amfreece.com](http://www.amfreece.com)

Phones: +420 582 309 146 (Service), +420 582 309 286 (Spare Parts); Fax: +420 582 360 606

**ELECTRONIC BOX-ELECTRONIC PARTS -I**



Revised 01/2007

**ELECTRONIC BOX-ELECTRONIC PARTS -I**

DET	PART NUMBER	DESCRIPTION	QTY.
04	08.6532.8.070	Screw	4
05	12.0008.4.761	Fan Cover With Filter	(2)
06	12.0008.4.777	Stopper	1
07	12.8000.0.077	Electrical Diagram Label	1
08	08.6032.4.012	Screw	14
09	08.6032.4.016	Screw	4
10	12.0008.4.231	Bushing	6
11	12.0008.4.207	Bushing	2
12	12.0008.4.613	Pushbutton (Green)	1
13	12.0008.4.615	Switch Unit (ZB6-E2B)	(1)
15	19.0007.9.023	Cable X9A	1
16	19.0007.9.008	Sew Motor	1
17	08.6702.4.000	Nut	12
18	12.0008.4.691	Fan Rack	(1)
19	12.0008.4.378	Label	1
20	12.0008.4.716	Knob	1
21	12.8000.0.423	Label	1
22	00.2751.3.602	Label "CAUTION"	1
23	12.0008.4.682	Fan	(1)
24	19.0094.2.410	Gasket	1
25	08.6702.6.000	Nut	2
26	08.6832.6.000	Washer	2
27	08.6852.8.000	Washer	4
28	08.6702.8.000	Nut	4
29*	12.0008.4.231	Bushing	1*
30*	19.0007.9.011	Cable Motor	1*
31	19.0005.0.014	Driving Box	1
32	19.0007.9.021	Cable X7A	1
33	19.0007.9.022	Cable X8A	1
35	19.0007.9.041	Junction Cable	1

\* — ACL (Adjustable Cutting Length)

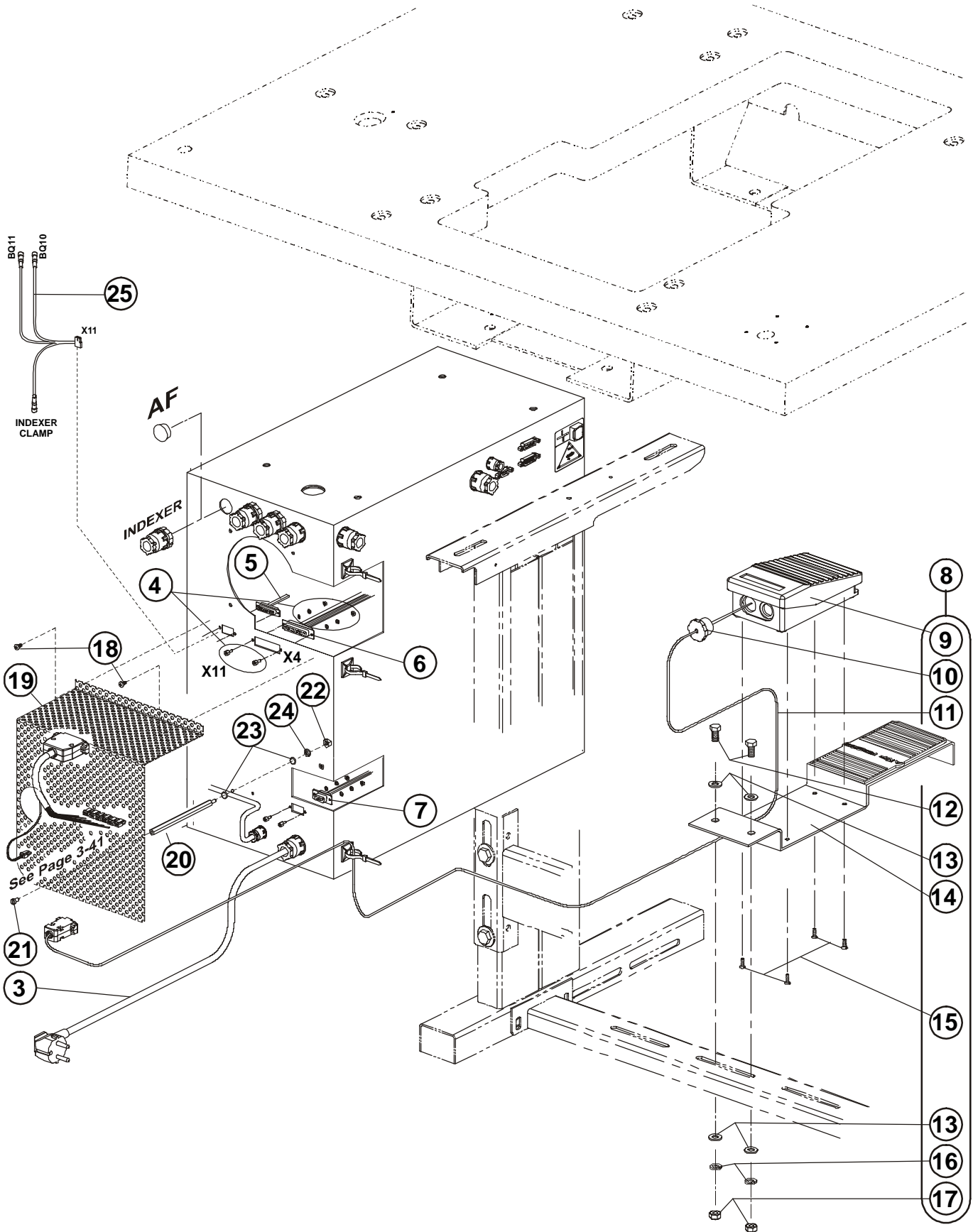
\* — Extra Part

Revised 01/2007

e-mail: [service@amfreece.cz](mailto:service@amfreece.cz); [parts@amfreece.cz](mailto:parts@amfreece.cz); website: [www.amfreece.com](http://www.amfreece.com)

Phones: +420 582 309 146 (Service), +420 582 309 286 (Spare Parts); Fax: +420 582 360 606

**ELECTRONIC BOX-ELECTRONIC PARTS -II**



**ELECTRONIC BOX-ELECTRONIC PARTS -II**

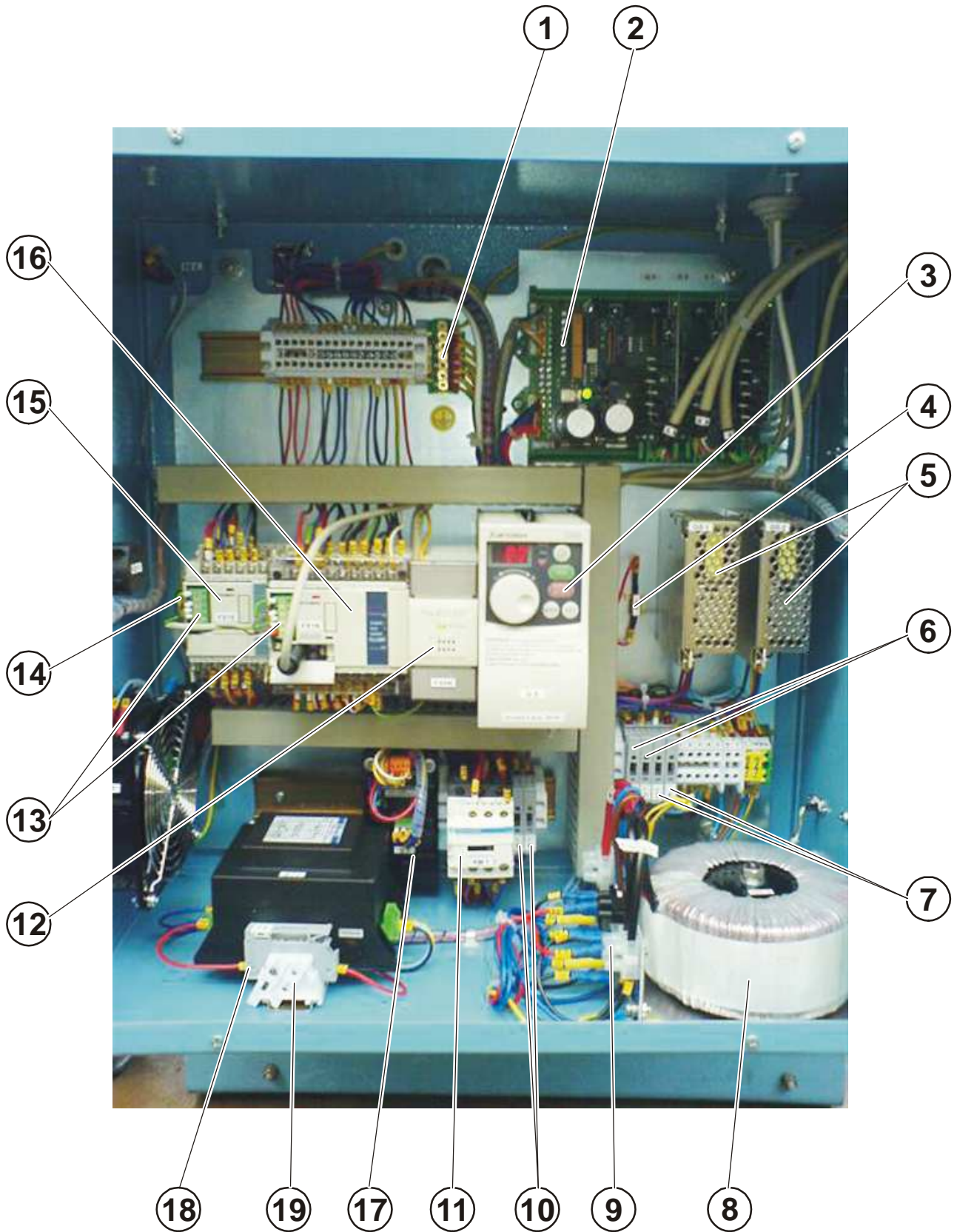
DET	PART NUMBER	DESCRIPTION	QTY.
03	12.0008.4.885	Cable Flexo	1
04	12.0008.4.710	Screw Kit	5
05	19.0007.9.028	cABLE X11A	1
06	19.0007.9.018	Cable X4A	1
07	19.0007.9.019	Cable X5A	1
08	19.0007.9.037	Pedal Assembly	1
09	12.0008.4.204	Pedal	●●● (1)
10	12.0008.4.296	Bushing	●●● (1)
11	19.0007.9.036	Cable	(1)
12	08.6312.8.020	Screw	(2)
13	08.6852.8.000	Washer	(4)
14	24.0097.0.000	Holder Pedal	(1)
15	08.6100.4.012	Screw	(4)
16	08.6802.8.000	Spring Washer	(2)
17	08.6702.8.020	Screw	(2)
18	08.6662.4.010	Screw	2
19	19.0083.1.687	Cover	1
20	19.0014.6.408	Distance Nut	1
21	08.6010.4.008	Screw	2
22	08.6702.4.000	Nut	1
23	08.6852.4.000	Washer	2
24	08.6832.4.000	Washer Serated	1
25	19.0007.9.029	Cable X11	1

Revised 01/2007

e-mail: [service@amfreece.cz](mailto:service@amfreece.cz); [parts@amfreece.cz](mailto:parts@amfreece.cz); website: [www.amfreece.com](http://www.amfreece.com)

Phones: +420 582 309 146 (Service), +420 582 309 286 (Spare Parts); Fax: +420 582 360 606

**ELECTRONIC BOX-ELECTRONIC PARTS -III**





**ELECTRONIC BOX-ELECTRONIC PARTS -III**

DET	PART NUMBER	DESCRIPTION	QTY.
01	12.0008.4.050	Bridge GND	1
02	12.0008.4.891	Driver MD-921	1
03	19.8001.1.006	Inverter	1
04	19.0007.9.482	Resistor	1
05	12.0008.4.709	Power Supply	2
06	12.0008.4.665	F1, F2 Fuse T2A	2
07	12.0008.4.664	F3, F4 Fuse T10A	2
08	12.0008.4.756	Toroid Trafo	1
09	12.0008.4.770	Rectifier	2
10	12.0008.4.664	F5, F6 Fuse T10A	2
11	12.0008.4.833	Contacto	1
12	12.0008.4.748	Ext. Block	1
13	12.0008.4.749	Communic. Block	2
14	12.0008.4.751	Filter	1
15	19.8001.1.103	PLC FX1S	1
16	19.8001.1.101	PLC FX1N	1
17	12.0008.4.898	Driver	1
18	12.0008.4.781	Power Supply	1
19	12.0008.4.109	F9 Fuse T5A	1

Revised 01/2007

e-mail: [service@amfreece.cz](mailto:service@amfreece.cz); [parts@amfreece.cz](mailto:parts@amfreece.cz); website: [www.amfreece.com](http://www.amfreece.com)

Phones: +420 582 309 146 (Service), +420 582 309 286 (Spare Parts); Fax: +420 582 360 606



**INDEX**

PART NUMBER	PAGE	DET	QTY	PART NUMBER	PAGE	DET	QTY	PART NUMBER	PAGE	DET	QTY
<b>00.2751.3.602</b>				08.6000.3.005	3-27	10	4	08.6000.4.020	3-9	04	1
00.2751.3.602	3-49	54	1	08.6000.3.005	3-49	38	(1)	08.6000.4.020	3-15	11	1
00.2751.3.602	3-51	22	1	08.6000.3.005	3-17 i	38	(1)	08.6000.4.020	3-27	05	1
00.2751.3.602	3-17 i	54	1	08.6000.3.006	3-41	15*	4	08.6000.4.025	3-41	05	4
00.2751.3.602	3-19 i	22	1	08.6000.3.006	3-41	31	(2)	08.6000.4.035	3-33	14	(2)
01.2056.1.000	3-57	09	1	08.6000.3.006	3-69	51	1	08.6000.5.012	3-21	09	3
01.2056.1.000	3-59	05	(1)	08.6000.3.006	3-75	15	1	08.6000.5.012	3-23	20	2
01.2056.1.000	3-69	04	(1)	08.6000.3.008	3-17	31	2	08.6000.5.012	3-25	03	2
01.2056.1.000	3-77	03	(1)	08.6000.3.008	3-41	37**	1	08.6000.5.012	3-27	38	2
01.4750.0.000	3-49	32	4	08.6000.3.008	3-47	28	4	08.6000.5.016	3-21	13	5
01.4750.0.000	3-17 i	32	4	08.6000.3.008	3-61	71	1	08.6000.5.016	3-23	23	1
01.5003.0.000	3-11	09	(2)	08.6000.3.008	3-67	22	(1)	08.6000.5.016	3-31	12	8
01.5619.0.000	3-17	17	1	08.6000.3.008	3-71	46	(2)	08.6000.5.020	3-23	19	1
01.5620.0.000	3-17	11	1	08.6000.3.010	3-67	21	(1)	08.6000.5.020	3-29	07	2
02.0558.0.111	3-11	17	1	08.6000.3.010	3-5 i	5	4	08.6000.5.020	3-5 i	16	3
02.0558.0.111	3-69	43	(5)	08.6000.3.014	3-75	37	1	08.6000.5.022	3-45	8	1
02.0558.1.112	3-61	58*	6	08.6000.3.025	3-3 i	1	2	08.6000.5.060	3-69	33	(1)
03.5519.0.003	3-49	48	1	08.6000.3.030	3-13	20	(2)	08.6000.6.010	3-47	13	2
03.5519.0.003	3-17 i	48	1	08.6000.3.030	3-67	05	(2)	08.6000.6.012	3-21	28	4
03.5519.1.090	3-49	01	1	08.6000.4.005	3-27	19	4	08.6000.6.030	3-29	45	(1)
03.5519.1.091	3-17 i	01	1	08.6000.4.005	3-29	37	4	08.6000.8.020	3-27	01	4
03.5519.3.002	3-81	1	1	08.6000.4.005	3-39	25	2	08.6010.2.004	3-67	35	(2)
03.5519.3.011	3-75	01	1	08.6000.4.005	3-41	39	2	08.6010.2.004	3-71	22	(2)
03.5519.3.013	3-67	01*	1	08.6000.4.005	3-81	4	(2)	08.6010.3.005	3-17	09	3
03.5519.3.013	3-69	03	(1)	08.6000.4.006	3-31	05	1	08.6010.3.006	3-59	25	(4)
03.5519.3.016	3-59	01	1	08.6000.4.008	3-31	02	2	08.6010.3.006	3-69	09	(3)
03.5519.3.020	3-59	01		08.6000.4.008	3-39	08	2	08.6010.4.006	3-7	18	2
03.5519.3.024	3-59	01		08.6000.4.008	3-47	02	2	08.6010.4.006	3-41	21	1
03.5519.3.028	3-59	01		08.6000.4.008	3-49	18	2	08.6010.4.006	3-75	9	1
03.5519.3.029	3-59	01		08.6000.4.008	3-75	2	1	08.6010.4.008	3-53	21	2
03.5519.3.030	3-69	01	1	08.6000.4.008	3-3 i	24	4	08.6010.4.008	3-3 i	23	4
03.5519.3.050	3-77	01	1	08.6000.4.008	3-5 i	22	2	08.6010.4.008	3-21 i	21	2
04.1416.0.003	3-49	02	1	08.6000.4.008	3-17 i	18	2	08.6010.4.010	3-27	09	1
04.1416.0.003	3-17 i	02	1	08.6000.4.010	3-13	19	(2)	08.6010.4.012	3-19	44	2
04.9000.0.444	3-29	38	1	08.6000.4.010	3-15	05	2	08.6010.4.012	3-33	15	(2)
04.9000.1.443	3-29	42	(1)	08.6000.4.010	3-19	01	4	08.6010.4.012	3-35	20	4
04.9000.2.123	3-49	08	1	08.6000.4.010	3-27	27	2	08.6010.4.012	3-65	49	4
04.9000.2.123	3-17 i	08	1	08.6000.4.010	3-29	01	4	08.6010.4.012	3-73	53	(4)
04.9001.0.001	3-29	43	(1)	08.6000.4.010	3-31	19	2	08.6010.4.012	3-75	36	2
04.9001.1.050	3-29	46	1	08.6000.4.010	3-39	04	3	08.6010.4.012	3-79	26	(2)
05.0043.1.000	3-13	02	1	08.6000.4.010	3-41	20	2	08.6010.4.012	3-9 i	20	4
05.0043.1.000	3-15	19	1	08.6000.4.012	3-31	24	6	08.6010.4.012	3-11 i	49	4
05.0043.1.000	3-27	37	1	08.6000.4.012	3-7 i	8	4	08.6010.4.012	3-15 i	49	4
05.1322.0.000	3-29	33	(1)	08.6000.4.014	3-31	21	4	08.6010.4.012	3-37	20	4
07.0000.0.024	3-33	22	(5)	08.6000.4.014	3-39	10	1	08.6010.5.012	3-33	11	(4)
07.0000.0.024	3-33	26	2	08.6000.4.014	3-67	15	(2)	08.6010.5.012	3-35	01	2
07.6600.0.006	3-45	4	(1)	08.6000.4.014	3-73	68	(1)	08.6010.5.012	3-63	06	2
				08.6000.4.016	3-29	21	(1)	08.6010.5.016	3-21	19	2
<b>08.6000.3.005</b>				08.6000.4.016	3-41	10	4				
08.6000.3.005	3-21	15	6	08.6000.4.016	3-75	17	1	<b>08.6012.2.006</b>			

Note: i...indexer

Revised 01/2007

e-mail: service@amfreece.cz; parts@amfreece.cz; website: www.amfreece.com

Phones: +420 582 309 146 (Service), +420 582 309 286 (Spare Parts); Fax: +420 582 360 606

# INDEX

PART NUMBER	PAGE	DET	QTY	PART NUMBER	PAGE	DET	QTY	PART NUMBER	PAGE	DET	QTY
08.6012.2.006	3-71	37	(2)	08.6200.4.006	3-67	04	(2)	08.6400.4.006	3-37	04	2
08.6012.2.006	3-73	61	(2)	08.6200.4.006	3-67	08	(2)	08.6400.4.008	3-21	25	2
08.6012.3.003	3-3 i	7	4	08.6200.4.006	3-11 i	15	1	08.6400.4.010	3-11	34	3
08.6012.3.006	3-13	08	(2)	08.6200.4.006	3-15 i	15	1	08.6400.4.010	3-15	16	1
08.6012.3.006	3-71	25	(1)	08.6200.4.008	3-15	10	2	08.6400.4.010	3-77	22	(1)
08.6012.4.006	3-69	24	(2)	08.6200.4.008	3-27	13	3	08.6400.4.010	3-5 i	8	2
08.6012.4.010	3-11	02	3	08.6200.4.008	3-39	23	1	08.6400.4.030	3-25	01	1
08.6012.7.016	3-67	11	(2)	08.6200.4.008	3-41	23	4				
08.6032.3.008	3-9	01	1	08.6200.4.008	3-63	16	1	<b>08.6400.5.005</b>			
08.6032.4.008	3-13	01	1	08.6200.4.008	3-67	23	(2)	08.6400.5.005	3-3	07	2
08.6032.4.008	3-15	20	1	08.6200.4.012	3-17	29	1	08.6400.5.006	3-33	23	(1)
08.6032.4.008	3-39	20	6	08.6200.4.016	3-75	32	2	08.6400.5.008	3-19	36	2
08.6032.4.008	3-43	04	6	08.6200.5.006	3-29	14	1	08.6400.5.030	3-23	27	1
08.6032.4.008	3-7 i	01	5	08.6200.5.006	3-45	5	(1)	08.6400.5.305	3-19	16	2
08.6032.4.010	3-49	39	(4)	08.6200.5.012	3-29	24	2	08.6400.5.305	3-21	22	2
08.6032.4.010	3-17 i	39	(4)	08.6200.5.020	3-31	47	2	08.6400.6.006	3-3	21	(2)
08.6032.4.012	3-51	08	14	08.6200.6.010	3-49	45	(2)	08.6400.6.006	3-5	01	4+(2)
08.6032.4.012	3-19 i	08	14	08.6200.6.010	3-17 i	45	(2)	08.6400.6.006	3-19	07	(2)
08.6032.4.016	3-51	09	4	08.6310.4.030	3-33	19	(3)	08.6400.6.006	3-21	29	2
08.6032.4.016	3-19 i	09	4	08.6310.6.016	3-29	41	(2)	08.6400.6.006	3-31	22	6
08.6032.5.010	3-5 i	9	2	08.6312.8.020	3-53	12	(2)	08.6400.6.006	3-49	51	1
08.6050.5.006	3-3 i	27	4	08.6312.8.020	3-21 i	12	(2)	08.6400.6.006	3-71	02	(2)
08.6100.3.010	3-3 i	18	8	08.6312.8.040	3-49	31	8	08.6400.6.006	3-79	01	(1)
08.6100.4.006	3-75	21	2	08.6312.8.040	3-17 i	31	8	08.6400.6.006	3-9 i	1	2
08.6100.4.008	3-3 i	14	4	08.6400.3.004	3-17	08	1	08.6400.6.006	3-11 i	06	
08.6100.4.010	3-61	52	(1)	08.6400.3.005	3-11	32	(2)	08.6400.6.006	3-15 i	6	
08.6100.4.010	3-69	35	(1)	08.6400.3.005	3-39	22	1	08.6400.6.006	3-17 i	51	1
08.6100.4.012	3-53	15	(4)	08.6400.3.010	3-35	30	2	08.6400.6.006	3-37	01	2
08.6100.4.012	3-21 i	15	(4)	08.6400.3.010	3-63	04	2	08.6400.6.008	3-3	01	(2)
08.6100.5.010	3-5 i	7	1	08.6400.3.010	3-71	05	(2)	08.6490.4.009	3-75	39	1
08.6100.5.012	3-5 i	6	1	08.6400.3.010	3-9 i	30	2	08.6490.4.009	3-13 i	59	1
08.6100.5.020	3-31	03	1	08.6400.3.010	3-11 i	04	2	08.6490.4.009	3-15 i	59	1
08.6102.3.008	3-47	06	4	08.6400.3.010	3-15 i	4	2	08.6522.4.006	3-33	01	6
08.6117.3.004	3-71	21	(5)	08.6400.3.010	3-37	30	2	08.6522.4.006	3-5 i	1	3
08.6117.3.005	3-71	30	(4)	08.6400.4.004	3-31	43	(2)	08.6522.4.006	3-7 i	5	4
08.6132.4.010	3-71	10	(2)	08.6400.4.004	3-59	28	(2)	08.6532.8.050	3-49	21	8
08.6132.4.010	3-7 i	4	8	08.6400.4.004	3-69	11	(2)	08.6532.8.050	3-17 i	21	8
				08.6400.4.004	3-3 i	19	12	08.6532.8.070	3-49	55	4
<b>08.6200.3.005</b>				08.6400.4.005	3-13	10	(1)	08.6532.8.070	3-51	04	4
08.6200.3.005	3-35	32	2	08.6400.4.005	3-17	26	2	08.6532.8.070	3-17 i	55	4
08.6200.3.005	3-73	56	(2)	08.6400.4.006	3-35	04	2	08.6532.8.070	3-19 i	04	4
08.6200.3.005	3-79	25	(1)	08.6400.4.006	3-39	11	2	08.6632.3.016	3-49	06	15
08.6200.3.005	3-3 i	3	6	08.6400.4.006	3-45	13	1	08.6632.3.016	3-81	2	(4)
08.6200.3.005	3-5 i	18	4	08.6400.4.006	3-63	11	2	08.6632.3.016	3-17 i	06	15
08.6200.3.005	3-9 i	32	2	08.6400.4.006	3-71	12	(2)	08.6662.4.010	3-53	18	2
08.6200.3.005	3-11 i	39	2	08.6400.4.006	3-75	11	2	08.6662.4.010	3-21 i	18	2
08.6200.3.005	3-15 i	39	2	08.6400.4.006	3-79	04	(1)	08.6663.5.025	3-49	43	(1)
08.6200.3.005	3-37	32	2	08.6400.4.006	3-9 i	4	2	08.6663.5.025	3-17 i	43	(1)
08.6200.4.006	3-61	73	2	08.6400.4.006	3-11 i	11	2	08.6683.4.007	3-43	11	3
08.6200.4.006	3-63	15	1	08.6400.4.006	3-15 i	11	2				

Note: i...indexer

Revised 01/2007

e-mail: service@amfreece.cz; parts@amfreece.cz; website: www.amfreece.com

**INDEX**

PART NUMBER	PAGE	DET	QTY	PART NUMBER	PAGE	DET	QTY	PART NUMBER	PAGE	DET	QTY
<b>08.6700.3.000</b>				08.6710.4.000	3-37	12	4	08.6850.8.000	3-25	07	2
08.6700.3.000	3-9	15	1	08.6710.5.000	3-19	32	2	08.6850.8.000	3-29	48	2
08.6700.3.000	3-13	16	(1)	08.6710.5.000	3-59	08	(2)	08.6852.3.000	3-13	21	(1)
08.6700.3.000	3-17	30	2	08.6710.5.000	3-69	34	(1)	08.6852.3.000	3-3 i	8	4
08.6700.3.000	3-29	29	1					08.6852.4.000	3-43	03	4
08.6700.3.000	3-59	13	(2)	<b>08.6710.8.400</b>				08.6852.4.000	3-53	23	2
08.6700.3.000	3-67	18	(1)	08.6710.8.400	3-7	16	1	08.6852.4.000	3-61	70	1
08.6700.4.000	3-9	07	1	08.6710.8.400	3-23	07	2	08.6852.4.000	3-21 i	23	2
08.6700.4.000	3-25	02	1	08.6710.9.500	3-23	06	1	08.6852.8.000	3-49	25	12
08.6700.4.000	3-41	17	1	08.6722.8.000	3-49	28	2	08.6852.8.000	3-51	27	4
08.6700.4.000	3-79	13	(2)	08.6722.8.000	3-17 i	28	2	08.6852.8.000	3-53	13	(4)
08.6700.4.000	3-3 i	4	2	08.6733.8.000	3-49	53	4	08.6852.8.000	3-17 i	25	12
08.6700.5.000	3-17	22	1	08.6733.8.000	3-17 i	53	4	08.6852.8.000	3-19 i	27	4
08.6700.5.000	3-23	26	1	08.6800.5.000	3-5 i	15	3	08.6852.8.000	3-21 i	13	(4)
08.6700.5.000	3-5 i	12	1	08.6800.6.000	3-29	40	(2)	08.6887.5.000	3-75	14	1
08.6700.6.000	3-67	03	(2)	08.6800.8.000	3-27	34	4				
08.6700.6.300	3-31	15	2	08.6802.3.000	3-13	22	(1)	<b>10.1010.3.000</b>			
08.6702.2.000	3-71	31	(2)	08.6802.8.000	3-49	26	12	10.1010.3.000	3-13	18	(1)
08.6702.4.000	3-25	10	1	08.6802.8.000	3-53	16	(2)	10.1021.2.000	3-11	10	(2)
08.6702.4.000	3-51	17	12	08.6802.8.000	3-17 i	26	12	10.2552.3.006	3-77	23	(1)
08.6702.4.000	3-53	22	1	08.6802.8.000	3-21 i	16	(2)	10.2552.3.006	3-79	14	(1)
08.6702.4.000	3-19 i	17	12	08.6832.4.000	3-53	24	1	10.2559.1.010	3-79	11	(1)
08.6702.4.000	3-21 i	22	1	08.6832.4.000	3-21 i	24	1	10.2559.1.104	3-77	24	(1)
08.6702.6.000	3-51	25	2	08.6832.6.000	3-51	26	2	10.2566.0.000	3-79	08	(1)
08.6702.6.000	3-69	27	(1)	08.6832.6.000	3-19 i	26	2	10.2567.0.000	3-79	12	(1)
08.6702.6.000	3-19 i	25	2	08.6842.5.000	3-31	46	2	10.4010.2.000	3-17	10	1
08.6702.7.000	3-67	28	(2)	08.6850.3.000	3-27	39	2	10.4012.0.032	3-69	05	(1)
08.6702.8.000	3-49	27	14	08.6850.3.000	3-41	38**	1	10.4012.1.001	3-57	10	1
08.6702.8.000	3-51	28	4	08.6850.3.000	3-47	27	3	10.4012.2.014	3-59	06	(1)
08.6702.8.000	3-17 i	27	14	08.6850.3.000	3-59	04	(1)	10.4012.2.019	3-77	04	(1)
08.6702.8.000	3-19 i	28	4	08.6850.3.000	3-67	20	(3)				
08.6702.8.020	3-53	17	(2)	08.6850.3.000	3-69	19	(2)	<b>12.0008.3.023</b>			
08.6702.8.020	3-21 i	17	(2)	08.6850.4.000	3-15	06	2	12.0008.3.023	3-15	14	2
08.6710.3.000	3-35	31	2	08.6850.4.000	3-17	34	1	12.0008.3.023	3-41	04	13
08.6710.3.000	3-63	03	2	08.6850.4.000	3-27	26	2	12.0008.3.023	3-43	10	4
08.6710.3.000	3-67	17	(2)	08.6850.4.000	3-31	31	6	12.0008.3.023	3-45	19	2
08.6710.3.000	3-71	04	(2)	08.6850.4.000	3-33	16	(2)	12.0008.3.090	3-41	03	2
08.6710.3.000	3-9 i	31	2	08.6850.4.000	3-39	21	4	12.0008.3.409	3-3 i	30	2
08.6710.3.000	3-11 i	03	2	08.6850.4.000	3-41	19	2	12.0008.3.411	3-41	01	6
08.6710.3.000	3-15 i	3	2	08.6850.4.000	3-47	11	2	12.0008.3.411	3-45	15	1
08.6710.3.000	3-37	31	2	08.6850.4.000	3-75	3	1	12.0008.3.411	3-57	03	(3)
08.6710.4.000	3-27	17	1	08.6850.4.000	3-7 i	7	4	12.0008.3.411	3-61	56	((1))
08.6710.4.000	3-33	20	(2)	08.6850.5.000	3-19	33	2	12.0008.3.411	3-69	40	((2))
08.6710.4.000	3-35	12	4	08.6850.5.000	3-21	26	4	12.0008.3.412	3-41	34	1
08.6710.4.000	3-63	12	4	08.6850.5.000	3-23	11	1	12.0008.3.418	3-43	05	1
08.6710.4.000	3-71	14	(4)	08.6850.5.000	3-31	01	8	12.0008.3.420	3-43	32	1
08.6710.4.000	3-79	02	(2)	08.6850.5.000	3-5 i	11	5	12.0008.3.421	3-43	13	2
08.6710.4.000	3-9 i	12	4	08.6850.6.000	3-29	16	(3)	12.0008.3.421	3-45	12	2
08.6710.4.000	3-11 i	12	5	08.6850.6.000	3-29	44	(1)	12.0008.3.426	3-43	27	4
08.6710.4.000	3-15 i	12	5	08.6850.6.000	3-67	02	(1)	12.0008.3.426	3-57	14	(1)

Note: i...indexer

Revised 01/2007

e-mail: service@amfreece.cz; parts@amfreece.cz; website: www.amfreece.com

Phones: +420 582 309 146 (Service), +420 582 309 286 (Spare Parts); Fax: +420 582 360 606

# INDEX

PART NUMBER	PAGE	DET	QTY	PART NUMBER	PAGE	DET	QTY	PART NUMBER	PAGE	DET	QTY
12.0008.3.426	3-61	49	(1)	<b>12.0008.4.050</b>				12.0008.4.751	3-55	14	1
12.0008.3.426	3-67	38	((1))	12.0008.4.050	3-55	01	1	12.0008.4.751	3-23 i	14	1
12.0008.3.427	3-43	18	2	12.0008.4.050	3-23 i	01	1	12.0008.4.756	3-55	08	1
12.0008.3.427	3-45	7	2	12.0008.4.058	3-43	09	4	12.0008.4.756	3-23 i	08	1
12.0008.3.428	3-45	11	1	12.0008.4.100	3-41	18	1	12.0008.4.757	3-49	49	1
12.0008.3.430	3-43	29	2	12.0008.4.109	3-23 i	19	1	12.0008.4.757	3-17 i	49	1
12.0008.3.447	3-45	22	1	12.0008.4.141	3-81	6	(1)	12.0008.4.758	3-53	05	1
12.0008.3.476	3-43	26	1	12.0008.4.197	3-41	13	1	12.0008.4.761	3-51	05	(2)
12.0008.3.477	3-43	21	24	12.0008.4.204	3-53	09	(1)	12.0008.4.761	3-19 i	05	(2)
12.0008.3.478	3-43	20	1	12.0008.4.204	3-21 i	09	(1)	12.0008.4.770	3-55	09	2
12.0008.3.479	3-43	23	1	12.0008.4.207	3-51	11	2	12.0008.4.770	3-23 i	09	2
12.0008.3.482	3-43	25	4+3	12.0008.4.207	3-19 i	11	2	12.0008.4.777	3-51	06	1
12.0008.3.482	3-57	05	(1)	12.0008.4.231	3-51	10	6	12.0008.4.777	3-19 i	06	1
12.0008.3.482	3-61	55	((1))	12.0008.4.231	3-51	29*	1*	12.0008.4.781	3-23 i	18	1
12.0008.3.482	3-67	37	((2))	12.0008.4.231	3-75	29	(1)	12.0008.4.821	3-49	46	(1)
12.0008.3.482	3-69	41	((1))	12.0008.4.231	3-19 i	10	6	12.0008.4.821	3-17 i	46	(1)
12.0008.3.483	3-43	22	1	12.0008.4.231	3-19 i	29*	1*	12.0008.4.833	3-55	11	1
12.0008.3.531	3-57	02	1	12.0008.4.280	3-61	48	(1)	12.0008.4.833	3-23 i	11	1
12.0008.3.531	3-69	02	(1)	12.0008.4.296	3-53	10	(1)	12.0008.4.885	3-53	03	1
12.0008.3.532	3-61	54	(1)	12.0008.4.296	3-21 i	10	(1)	12.0008.4.885	3-21 i	03	1
12.0008.3.534	3-69	38	(1)	12.0008.4.366	3-49	42	(1)	12.0008.4.891	3-55	02	1
12.0008.3.535	3-67	12	(1)	12.0008.4.366	3-17 i	42	(1)	12.0008.4.891	3-23 i	02	1
12.0008.3.622	3-69	39	((1))	12.0008.4.378	3-51	19	1	12.0008.4.898	3-75	27	(1)
12.0008.3.628	3-67	14	((2))	12.0008.4.378	3-19 i	19	1	12.0008.4.898	3-23 i	17	1
12.0008.3.629	3-67	26	((1))	12.0008.4.563	3-47	08	(1)				
12.0008.3.631	3-41	09	1	12.0008.4.570	3-15	17	1	<b>12.0008.6.812</b>			
12.0008.3.631	3-67	13	((1))	12.0008.4.613	3-51	12	1	12.0008.6.812	3-29	32	(1)
12.0008.3.649	3-61	57	((1))	12.0008.4.613	3-19 i	12	1	12.0008.6.901	3-49	07	1
12.0008.3.659	3-43	01	1	12.0008.4.615	3-51	13	(1)	12.0008.6.901	3-17 i	07	1
12.0008.3.689	3-45	21	1	12.0008.4.615	3-19 i	13	(1)	12.0008.6.915	3-39	17	3
12.0008.3.729	3-3 i	2	2	12.0008.4.664	3-55	7	2	12.0008.6.915	3-49	30	1
12.0008.3.733	3-41	26	2	12.0008.4.664	3-55	10	2	12.0008.6.915	3-17 i	30	1
12.0008.3.733	3-57	06	(1)	12.0008.4.664	3-23 i	07	2	12.0008.6.977	3-45	9	1
12.0008.3.734	3-41	07	2	12.0008.4.664	3-23 i	10	2	12.0008.6.980	3-45	18	1
12.0008.3.734	3-57	04	(2)	12.0008.4.665	3-55	06	2	12.0008.6.981	3-9 i	37*	
12.0008.3.739	3-41	27	2	12.0008.4.665	3-23 i	06	2	12.0008.6.981	3-13 i	62*	
12.0008.3.739	3-57	07	(1)	12.0008.4.682	3-51	23	(1)	12.0008.6.981	3-15 i	62*	
12.0008.3.741	3-41	29	2	12.0008.4.682	3-19 i	23	(1)	12.0010.4.011	3-5 i	10	2
12.0008.3.746	3-41	35	1	12.0008.4.691	3-51	18	(1)	12.0010.4.013	3-5 i	23	1
12.0008.3.753	3-43	02	1	12.0008.4.691	3-19 i	18	(1)	12.0010.4.025	3-47	14	(5)
12.0008.3.754	3-43	12	1	12.0008.4.709	3-55	05	2	12.0010.4.025	3-75	25	(1)
12.0008.3.754	3-45	2	1	12.0008.4.709	3-23 i	05	2	12.0010.4.038	3-5 i	4	2
12.0008.3.755	3-43	07	1	12.0008.4.710	3-53	04	5	12.1010.0.206	3-35	35	2
12.0008.3.756	3-43	06	2	12.0008.4.710	3-21 i	04	5	12.1010.0.206	3-73	55	(2)
12.0008.3.758	3-43	28	1	12.0008.4.716	3-51	20	1	12.1010.0.206	3-79	20	(1)
12.0008.3.759	3-43	17	1	12.0008.4.716	3-19 i	20	1	12.1010.0.206	3-9 i	35	2
12.0008.3.759	3-45	10	1	12.0008.4.748	3-55	12	1	12.1010.0.206	3-11 i	42	2
12.0008.3.760	3-43	19	1	12.0008.4.748	3-23 i	12	1	12.1010.0.206	3-15 i	42	2
12.0008.3.762	3-43	15	1	12.0008.4.749	3-55	13	2	12.1010.0.206	3-37	35	2
12.0008.3.764	3-41	16	1	12.0008.4.749	3-23 i	13	2	12.1010.0.306	3-47	31	2

Note: i...indexer

Revised 01/2007

e-mail: [service@amfreece.cz](mailto:service@amfreece.cz); [parts@amfreece.cz](mailto:parts@amfreece.cz); website: [www.amfreece.com](http://www.amfreece.com)

**INDEX**

PART NUMBER	PAGE	DET	QTY	PART NUMBER	PAGE	DET	QTY	PART NUMBER	PAGE	DET	QTY
12.1010.0.320	3-39	18	2	12.5050.2.014	3-31	16	1	17.0012.1.169	3-7	12	(1)
12.1010.0.408	3-63	44	1	12.8000.0.077	3-51	07	1	17.0012.2.400	3-17	23	1
12.1010.0.408	3-11 i	44	1	12.8000.0.077	3-19 i	07	1	17.0012.3.054	3-35	18	6
12.1010.0.408	3-15 i	44	1	12.8000.0.401	3-47	07	(1)	17.0012.3.054	3-63	23	4
12.1010.0.525	3-29	25	1	12.8000.0.423	3-51	21	1	17.0012.3.054	3-71	47	(4)
12.1010.0.530	3-41	25	2	12.8000.0.423	3-19 i	21	1	17.0012.3.054	3-9 i	18	6
12.1014.0.000	3-71	28	(1)	13.2087.1.000	3-27	06	1	17.0012.3.054	3-11 i	23	4
12.1040.1.001	3-11	39	(1)	14.1025.3.000	3-11	15	(2)	17.0012.3.054	3-15 i	23	4
12.1040.1.002	3-3	12	1	14.1028.4.000	3-11	30	(1)	17.0012.3.054	3-37	18	6
12.1040.1.002	3-21	16	3	14.1032.3.000	3-11	01	1	17.0012.4.070	3-21	04	2
12.1040.1.007	3-7	09	1					17.0012.4.070	3-31	44	1
12.1045.0.001	3-67	33	((2))	<b>17.0003.6.156</b>				17.0012.4.070	3-79	09	(2)
12.1045.0.004	3-17	48	1	17.0003.6.156	3-49	03	1	17.0012.4.103	3-63	32	2
12.1045.1.001	3-23	03	2	17.0003.6.156	3-17 i	03	1	17.0012.4.103	3-11 i	32	2
				17.0004.4.829	3-17	20	1	17.0012.4.103	3-15 i	32	2
<b>12.2010.0.004</b>				17.0004.9.893	3-77	06	(1)	17.0012.4.105	3-17	35	1
12.2010.0.004	3-29	18	(1)	17.0004.9.894	3-17	14	1	17.0012.4.106	3-17	41	1
12.2010.0.005	3-29	10	2	17.0004.9.895	3-17	07	1	17.0012.4.106	3-35	09	2
12.2010.0.011	3-3	11	1	17.0011.2.013	3-3	19	(2)	17.0012.4.106	3-63	17	2
12.2010.0.011	3-19	15	1	17.0011.2.063	3-23	16	1	17.0012.4.106	3-73	70	(2)
12.2010.0.011	3-21	17	2	17.0011.2.072	3-33	28	1	17.0012.4.106	3-11 i	17	2
12.2010.0.021	3-19	04	1	17.0012.0.077	3-71	19	(2)	17.0012.4.106	3-37	09	2
12.2010.0.023	3-3	14	2	17.0012.0.113	3-19	13	1	17.0012.6.400	3-79	10	(4)
12.2010.1.001	3-11	35	(1)	17.0012.0.120	3-11	23	(2)	17.0012.7.007	3-61	50	(1)
12.2050.0.004	3-5	15	(1)	17.0012.0.218	3-21	24	2				
12.2050.0.007	3-31	10	6	17.0012.0.290	3-5	03	1	<b>17.0013.1.415</b>			
12.2050.0.008	3-19	39	1	17.0012.0.303	3-35	21	2	17.0013.1.415	3-23	13	2
12.2050.1.005	3-65	56	1	17.0012.0.303	3-37	21	2	17.0013.1.415	3-75	41	1
12.2050.1.005	3-73	65	(1)	17.0012.0.350	3-79	17	(2)	17.0013.1.482	3-59	32	(1)
12.2050.1.005	3-13 i	56	1	17.0012.0.404	3-17	18	2	17.0013.1.485	3-79	15	(1)
12.2050.1.005	3-15 i	56	1	17.0012.0.543	3-11	24	(1)	17.0013.2.090	3-19	08	1
12.2050.1.007	3-21	07	1	17.0012.0.543	3-63	46	1	17.0013.4.027	3-23	18	1
12.2050.1.010	3-11	12	1	17.0012.0.543	3-11 i	46	1	17.0013.4.027	3-31	13	1
12.2070.0.004	3-31	29	4	17.0012.0.543	3-15 i	46	1	17.0013.5.067	3-35	05	2
12.2070.0.020	3-67	06	(1)	17.0012.0.571	3-23	15	2	17.0013.5.067	3-37	05	2
12.2080.0.002	3-9	11	((1))	17.0012.0.605	3-57	13	1	17.0013.5.067	3-63	10	2
12.2099.1.000	3-3 i	20	48	17.0012.0.605	3-63	47	1	17.0013.5.067	3-71	15	(2)
12.2099.1.009	3-21	06	1	17.0012.0.605	3-77	10	(1)	17.0013.5.067	3-9 i	5	2
12.3013.0.002	3-63	22	1	17.0012.0.605	3-11 i	47	1	17.0013.5.067	3-11 i	10	2
12.3013.0.002	3-11 i	22	1	17.0012.0.605	3-15 i	47	1	17.0013.5.067	3-15 i	10	2
12.3013.0.002	3-15 i	22	1	17.0012.0.688	3-59	10	(1)	17.0013.6.081	3-17	37	2
12.3015.7.016	3-75	34	4	17.0012.0.688	3-69	16	(1)	17.0013.6.081	3-59	22	(2)
12.5050.1.008	3-3	15	1	17.0012.1.137	3-59	30	(1)	17.0014.1.071	3-3	04	2
12.5050.1.501	3-49	56	1	17.0012.1.137	3-69	13	(1)	17.0014.1.119	3-33	27	2
12.5050.1.501	3-17 i	56	1	17.0012.1.140	3-17	04	2	17.0014.1.178	3-59	31	(1)
12.5050.2.005	3-31	17	1	17.0012.1.142	3-17	21	2	17.0015.3.022	3-9	13	1
12.5050.2.006	3-21	18	1	17.0012.1.142	3-65	58	1	17.0016.1.054	3-63	33	1
12.5050.2.008	3-3	05	1	17.0012.1.142	3-73	67	(1)	17.0016.1.054	3-11 i	33	1
12.5050.2.012	3-75	13	1	17.0012.1.142	3-13 i	58	1	17.0016.1.054	3-15 i	33	1
12.5050.2.013	3-21	10	1	17.0012.1.142	3-15 i	58	1	17.0016.1.094	3-19	37	(1)

Note: i...indexer

Revised 01/2007

e-mail: service@amfreece.cz; parts@amfreece.cz; website: www.amfreece.com

Phones: +420 582 309 146 (Service), +420 582 309 286 (Spare Parts); Fax: +420 582 360 606

# INDEX

PART NUMBER	PAGE	DET	QTY	PART NUMBER	PAGE	DET	QTY	PART NUMBER	PAGE	DET	QTY
17.0016.1.190	3-7	01	1	17.0031.0.359	3-11	13	(1)	17.0087.0.204	3-77	09	(1)
17.0016.1.214	3-17	38	1	17.0031.0.406	3-19	10	(2)	17.0094.0.200	3-49	22	4
17.0016.1.298	3-75	23	1	17.0031.3.027	3-11	28	(1)	17.0094.0.200	3-17 i	22	4
17.0016.1.401	3-59	14	(1)	17.0033.1.109	3-7	05	1	17.0094.5.052	3-27	35	2
17.0017.1.059	3-17	46	1	17.0033.3.131	3-19	34	2	17.0095.1.272	3-49	33	12
17.0019.0.228	3-17	01	2	17.0041.1.094	3-17	03	4	17.0095.1.272	3-17 i	33	12
17.0019.0.228	3-33	31	2	17.0041.8.152	3-9	09	(1)	17.0095.1.329	3-15	07	1
17.0019.0.233	3-7	15	1	17.0042.1.279	3-29	49	1	17.0097.5.174	3-49	58	1
17.0019.0.398	3-19	28	1	17.0042.1.283	3-11	05	(1)	17.0097.5.174	3-17 i	58	1
17.0019.0.441	3-49	57	4	17.0042.6.082	3-77	17*	1	17.0097.5.182	3-49	34	1
17.0019.0.441	3-17 i	57	4	17.0042.6.083	3-77	18	(1)	17.0097.5.182	3-17 i	34	1
17.0019.0.517	3-7	14	3	17.0042.6.084	3-77	19	(1)				
17.0019.1.062	3-11	14	(2)	17.0042.6.085	3-77	20	(1)	<b>18.0004.3.251</b>			
17.0019.1.088	3-17	19	2	17.0042.6.086	3-77	14	(1)	18.0004.3.251	3-29	23	1
17.0019.2.066	3-35	07	2	17.0042.6.088	3-77	15	(1)	18.0011.2.400	3-11	21	(2)
17.0019.2.066	3-63	08	2	17.0042.6.090	3-77	16	(1)	18.0011.3.400	3-3	16	(1)
17.0019.2.066	3-71	07	(2)	17.0043.6.018	3-19	17	1	18.0026.4.403	3-59	24	(1)
17.0019.2.066	3-9 i	7	2	17.0043.6.018	3-21	21	1	18.0026.4.403	3-69	08	(1)
17.0019.2.066	3-11 i	08	2	17.0043.6.277	3-11	22	2	18.0028.3.401	3-59	36	(1)
17.0019.2.066	3-15 i	8	2	17.0043.6.351	3-11	27	1	18.0028.3.401	3-69	18	(1)
17.0019.2.066	3-37	07	2	17.0044.2.229	3-11	40	(1)	18.0031.0.481	3-59	38	(1)
17.0019.5.040	3-35	06	2	17.0064.7.162	3-17	28	1	18.0031.0.481	3-69	31	(1)
17.0019.5.040	3-63	09	2	17.0066.7.157	3-35	14	1	18.0032.3.198	3-29	20	(1)
17.0019.5.040	3-71	08	(2)	17.0066.7.157	3-37	14	1	18.0041.0.676	3-29	12	1
17.0021.1.069	3-31	08	2	17.0066.7.158	3-35	11	1	18.0052.0.274	3-29	19	(1)
17.0021.1.073	3-23	22	1	17.0066.7.158	3-37	11	1	18.0052.1.400	3-29	11	1
17.0026.0.215	3-17	25	2	17.0069.4.047	3-77	05	(1)	18.0061.3.350	3-29	22	(1)
17.0026.0.218	3-59	12	(1)	17.0069.4.048	3-17	15	1	18.0064.6.427	3-19	43	1
17.0026.1.084	3-3 i	9	2	17.0069.4.049	3-17	06	1	18.0066.7.410	3-9 i	11	1
17.0026.2.054	3-13	05	(1)	17.0074.4.405	3-19	42	1	18.0066.7.410	3-11 i	13	1
17.0026.2.054	3-59	21	(1)	17.0081.4.376	3-3	09	2	18.0066.7.411	3-9 i	14	1
17.0026.2.072	3-13	25	1	17.0081.5.047	3-7	17	2	18.0066.7.411	3-11 i	14	1
17.0026.2.400	3-17	45	1	17.0081.5.047	3-29	02	4	18.0081.1.403	3-15 i	52	1
17.0026.3.014	3-29	26	1	17.0081.5.082	3-17	32	1	18.0081.1.404	3-15 i	51	1
17.0026.3.173	3-17	42	1	17.0082.5.235	3-17	33	1	18.0081.8.706	3-17	12	1
17.0026.4.035	3-17	27	1	17.0082.5.884	3-35	27	1	18.0082.6.406	3-59	37	(1)
17.0026.4.064	3-63	29	1	17.0082.5.884	3-79	18	(1)	18.0082.6.406	3-69	20	(1)
17.0026.4.064	3-11 i	29	1	17.0082.5.884	3-37	27	1	19.0002.0.463	3-67	30	(1)
17.0026.4.064	3-15 i	29	1	17.0082.5.997	3-23	14	2	19.0002.1.403	3-11	08	1
17.0026.4.065	3-63	28	1	17.0082.6.000	3-41	14*	4	19.0002.4.402	3-11	04	1
17.0026.4.065	3-11 i	28	1	17.0082.6.402	3-59	20	(1)	19.0002.4.407	3-5	13	1
17.0026.4.065	3-15 i	28	1	17.0082.8.017	3-13	06	(2)	19.0002.5.409	3-27	08	1
17.0027.1.106	3-27	28	1	17.0082.8.082	3-59	39	(1)	19.0002.5.409	3-61	69	1
17.0027.1.419	3-15	15	1	17.0082.8.082	3-69	30	(1)	19.0002.5.411	3-27	36	2
17.0027.4.035	3-11	07	(1)	17.0082.8.083	3-17	44	2	19.0002.5.412	3-13	03	1
17.0027.4.045	3-19	31	1	17.0087.0.169	3-35	28	1	19.0002.8.104	3-9	06	1
17.0027.4.085	3-29	17	(1)	17.0087.0.169	3-79	19	(1)	19.0002.8.108	3-5	06	1
				17.0087.0.169	3-37	28	1	19.0003.1.600	3-35	36	1
<b>17.0031.0.196</b>				17.0087.0.204	3-57	12	1	19.0003.1.600	3-57	01	1
17.0031.0.196	3-29	27	1	17.0087.0.204	3-69	15	(1)	19.0003.1.601	3-9 i	36	1

Note: i...indexer

Revised 01/2007

e-mail: service@amfreece.cz; parts@amfreece.cz; website: www.amfreece.com



**INDEX**

PART NUMBER	PAGE	DET	QTY	PART NUMBER	PAGE	DET	QTY	PART NUMBER	PAGE	DET	QTY
19.0003.1.602	3-37	36	1	19.0006.9.448	3-17 i	20	1	19.0011.1.401	3-11	16	(1)
19.0003.1.655	3-69	37	(1)	19.0007.9.008	3-51	16	1	19.0011.1.402	3-7	08	1
19.0003.1.657	3-77	07	(1)	19.0007.9.008	3-19 i	16	1	19.0011.2.402	3-59	07	(1)
19.0003.1.657	3-79	27	1	19.0007.9.011	3-51	30*	1*	19.0011.2.403	3-3 i	5	2
19.0003.1.661	3-61	43		19.0007.9.011	3-75	28	(1)	19.0011.8.403	3-5	08	1
19.0003.1.661	3-63	01		19.0007.9.011	3-19 i	30*	1*	19.0011.8.404	3-13	07	(1)
19.0003.1.662	3-61	43		19.0007.9.018	3-53	06	1	19.0011.8.405	3-17	43	1
19.0003.1.662	3-63	01		19.0007.9.018	3-21 i	06	1	19.0011.8.406	3-13	07*	1
19.0003.1.663	3-61	43		19.0007.9.019	3-53	07	1	19.0012.0.689	3-59	34	(1)
19.0003.1.663	3-63	01		19.0007.9.019	3-21 i	07	1	19.0012.0.691	3-7	04	1
19.0003.1.664	3-63	01		19.0007.9.021	3-51	32	1	19.0012.1.404	3-65	55	1
19.0003.1.665	3-71	01	1	19.0007.9.021	3-19 i	32	1	19.0012.1.404	3-13 i	55	1
19.0003.1.671	3-11 i	01		19.0007.9.022	3-51	33	1	19.0012.1.404	3-15 i	55	1
19.0003.1.681	3-11 i	01		19.0007.9.022	3-19 i	33	1	19.0012.2.401	3-31	36	1
19.0003.1.682	3-15 i	1		19.0007.9.023	3-51	15	1	19.0012.5.400	3-59	42	(2)
19.0004.1.402	3-71	29	(1)	19.0007.9.023	3-19 i	15	1	19.0012.5.400	3-69	23	(2)
				19.0007.9.025	3-75	24	1	19.0013.0.001	3-57	08	1
<b>19.0005.0.011</b>				19.0007.9.027	3-5 i	13	1	19.0013.0.001	3-69	06	(1)
19.0005.0.011	3-49	37	(1)	19.0007.9.028	3-21 i	05	1	19.0013.0.001	3-77	02	(1)
19.0005.0.011	3-17 i	37	(1)	19.0007.9.029	3-21 i	25	1	19.0013.1.487	3-33	07	(4)
19.0005.0.012	3-49	36	(4)	19.0007.9.030	3-47	17	(1)	19.0013.1.491	3-59	15	(1)
19.0005.0.012	3-17 i	36	(4)	19.0007.9.031	3-47	19	(1)	19.0013.1.492	3-59	17	(1)
19.0005.0.013	3-49	44	(1)	19.0007.9.032	3-47	21	(1)	19.0013.1.496	3-75	31	1
19.0005.0.013	3-17 i	44	(1)	19.0007.9.036	3-53	11	(1)	19.0013.1.498	3-63	26	1
19.0005.0.014	3-51	31	1	19.0007.9.036	3-21 i	11	(1)	19.0013.1.498	3-11 i	26	1
19.0005.0.014	3-19 i	31	1	19.0007.9.037	3-53	08	1	19.0013.1.498	3-15 i	26	1
19.0005.0.015	3-49	24	1	19.0007.9.037	3-21 i	08	1	19.0013.6.400	3-19	19	2
19.0005.0.015	3-17 i	24	1	19.0007.9.038	3-81	5	(1)	19.0014.3.404	3-9	02	1
19.0005.0.016	3-49	23	1	19.0007.9.041	3-19 i	35	1	19.0014.3.405	3-41	30	2
19.0005.0.016	3-17 i	23	1	19.0007.9.472	3-75	26	(1)	19.0014.6.408	3-53	20	1
19.0005.0.019	3-5 i	3	1	19.0007.9.477	3-49	47	(1)	19.0014.6.408	3-21 i	20	1
19.0005.0.020	3-5 i	2	1	19.0007.9.477	3-17 i	47	(1)	19.0015.6.401	3-31	33	2
19.0005.0.021	3-3 i	31	1	19.0007.9.482	3-55	04	1				
19.0005.0.022	3-3 i	6	1	19.0007.9.482	3-23 i	04	1	<b>19.0016.1.402</b>			
19.0005.0.023	3-7 i	10	1	19.0007.9.483	3-43	16	1	19.0016.1.402	3-33	10	(2)
19.0005.0.024	3-7 i	9	1	19.0007.9.483	3-67	29	(1)	19.0016.1.402	3-35	16	2
19.0005.0.028	3-49	19	1	19.0007.9.498	3-47	29	3	19.0016.1.402	3-65	50	2
19.0005.0.028	3-17 i	19	1	19.0007.9.499	3-47	18	(1)	19.0016.1.402	3-71	49	(2)
19.0005.2.209	3-59	16	(1)	19.0007.9.518	3-75	30	(1)	19.0016.1.403	3-59	19	(1)
19.0005.2.210	3-59	23	(1)					19.0016.3.403	3-19	18	2
19.0005.2.210	3-69	07	(1)	<b>19.0008.2.001</b>				19.0016.3.403	3-31	32	2
19.0005.2.212	3-63	43	1	19.0008.2.001	3-29	35	1	19.0016.3.405	3-31	35	1
19.0005.2.212	3-11 i	43	1	19.0008.3.410	3-67	27	((1))	19.0016.3.407	3-75	18	1
19.0005.2.212	3-15 i	43	1	19.0008.3.412	3-41	28	1	19.0016.3.408	3-69	26	(1)
19.0005.2.214	3-17	36	1	19.0008.3.414	3-41	33	(1)	19.0017.2.402	3-29	28	1
19.0005.2.215	3-71	24	(1)	19.0008.3.415	3-45	3	(1)	19.0017.2.403	3-13	04	(1)
19.0005.2.216	3-59	27	(1)	19.0008.3.416	3-43	08	1	19.0017.2.404	3-13	24	(1)
19.0005.2.218	3-45	14	1	19.0011.0.400	3-17	39	1	19.0017.4.400	3-23	08	2
19.0005.2.219	3-69	10	(1)	19.0011.0.402	3-25	09	1	19.0019.0.682	3-21	14	3
19.0006.9.448	3-49	20	1	19.0011.1.400	3-61	51	(1)	19.0019.0.685	3-31	06	1

Note: i...indexer

Revised 01/2007

e-mail: service@amfreece.cz; parts@amfreece.cz; website: www.amfreece.com

Phones: +420 582 309 146 (Service), +420 582 309 286 (Spare Parts); Fax: +420 582 360 606

# INDEX

PART NUMBER	PAGE	DET	QTY	PART NUMBER	PAGE	DET	QTY	PART NUMBER	PAGE	DET	QTY
19.0019.0.686	3-19	27	1	19.0032.8.401	3-15 i	21	2	19.0041.0.684	3-9 i	34	2
19.0019.0.687	3-11	31	(1)	19.0032.8.405	3-23	09	2	19.0041.0.684	3-11 i	37	2
19.0019.0.692	3-73	63	(1)	19.0033.1.401	3-35	24	2	19.0041.0.684	3-15 i	37	2
19.0019.0.693	3-5	12	1	19.0033.1.401	3-65	48	2	19.0041.0.684	3-37	34	2
19.0019.6.405	3-21	31	2	19.0033.1.401	3-73	52	(2)	19.0041.0.689	3-3	10	1
19.0026.3.400	3-9	05	1	19.0033.1.404	3-9 i	24	2	19.0041.0.690	3-41	08	2
19.0026.4.402	3-73	62	(1)	19.0033.1.404	3-11 i	48	2	19.0041.0.692	3-11	26	1
19.0026.4.404	3-67	32	(1)	19.0033.1.404	3-15 i	48	2	19.0041.0.693	3-19	21	(4)
19.0027.1.603	3-29	30	1	19.0033.1.404	3-37	24	2	19.0041.0.694	3-29	08	1
19.0027.1.610	3-35	33	2	19.0033.1.405	3-17	47	1	19.0041.1.400	3-65	57	1
19.0027.1.610	3-63	35	2	19.0033.1.406	3-33	05	(2)	19.0041.1.400	3-73	66	(1)
19.0027.1.610	3-73	59	(2)	19.0033.2.401	3-9	08	(2)	19.0041.1.400	3-13 i	57	1
19.0027.1.610	3-79	24	(1)	19.0033.2.403	3-75	19	4	19.0041.1.400	3-15 i	57	1
19.0027.1.610	3-9 i	33	2	19.0033.2.405	3-33	06	(2)	19.0041.2.404	3-19	30	1
19.0027.1.610	3-11 i	35	2	19.0033.2.408	3-13	15	(1)	19.0041.6.400	3-29	04	2
19.0027.1.610	3-15 i	35	2	19.0033.2.411	3-41	12	1	19.0041.6.401	3-11	11	(1)
19.0027.1.610	3-37	33	2	19.0033.3.401	3-19	25	(1)	19.0041.6.402	3-5	02	1
19.0027.1.615	3-17	24	1	19.0033.3.402	3-75	8	1	19.0041.8.401	3-19	12	2
19.0028.3.403	3-59	40	(1)	19.0033.3.405	3-67	25	(1)	19.0042.1.406	3-19	38	1
19.0028.3.403	3-69	21	(1)	19.0033.5.403	3-31	09	1	19.0042.1.408	3-5	09	(1)
19.0028.3.404	3-59	41	(1)	19.0033.5.404	3-17	40	1	19.0042.2.400	3-19	09	1
19.0028.3.404	3-69	22	(1)	19.0033.8.401	3-21	02	2	19.0042.5.401	3-21	08	1
19.0028.3.405	3-71	43	(1)	19.0033.8.401	3-31	41	1	19.0042.5.409	3-73	60	(1)
19.0028.3.406	3-71	44	(1)	19.0033.8.403	3-9	03	1	19.0043.6.046	3-31	39	1
19.0028.3.407	3-71	35	(1)	19.0033.8.405	3-5	18	1	19.0043.6.441	3-19	29	1
<b>19.0031.1.400</b>				19.0033.8.406	3-11	33	3	19.0043.6.442	3-5	17	1
19.0031.1.400	3-23	25	1	19.0033.8.407	3-17	05	1	19.0044.1.623	3-15	18	1
19.0031.3.404	3-71	40	(1)	19.0033.8.408	3-17	13	1	19.0044.1.623	3-27	16	3
19.0031.3.405	3-39	07	2	<b>19.0034.0.401</b>				19.0044.1.624	3-3	18	1
19.0031.3.407	3-19	45	(2)	19.0034.0.401	3-31	26	1	19.0044.1.625	3-3	20	1
19.0031.4.401	3-45	23*	(1)	19.0034.0.402	3-31	30	1	19.0044.1.626	3-65	54	1
19.0031.8.405	3-33	18	(3)	19.0034.0.403	3-31	25	2	19.0044.1.626	3-13 i	54	1
19.0031.8.412	3-67	36	((1))	19.0034.0.404	3-33	25	1	19.0044.1.626	3-15 i	54	1
19.0031.8.414	3-27	07	2	19.0034.0.409	3-19	11	1	19.0044.5.401	3-19	02	1
19.0031.8.416	3-5	04	1	19.0034.1.401	3-21	05	1	19.0044.5.402	3-21	23	1
19.0032.0.403	3-3 i	12	2	19.0034.2.402	3-25	05	1	19.0044.5.403	3-11	06	(1)
19.0032.2.405	3-59	18	(1)	19.0034.2.403	3-23	05	1	19.0044.5.404	3-29	34	(1)
19.0032.2.407	3-29	03	1	19.0034.6.402	3-19	40	1	19.0044.5.406	3-7	11	1
19.0032.3.401	3-29	09	1	19.0034.6.403	3-19	41	1	19.0045.3.400	3-11	36	1
19.0032.6.400	3-5	05	1	19.0034.7.400	3-23	12	1	19.0045.3.402	3-11	25	1
19.0032.6.401	3-19	35	2	19.0034.9.403	3-3	13	1	<b>19.0051.0.409</b>			
19.0032.6.404	3-67	16	(1)	19.0036.2.405	3-61	47	(1)	19.0051.0.409	3-3	17	1
19.0032.8.401	3-35	15	2	19.0041.0.675	3-31	11	3	19.0052.0.501	3-49	50	1
19.0032.8.401	3-37	15	2	19.0041.0.683	3-21	03	2	19.0052.0.501	3-17 i	50	1
19.0032.8.401	3-63	21	2	19.0041.0.683	3-31	40	1	19.0055.1.402	3-31	34	1
19.0032.8.401	3-71	11	(2)	19.0041.0.684	3-35	34	2	19.0055.1.403	3-31	38	1
19.0032.8.401	3-79	06	(1)	19.0041.0.684	3-63	37	2	19.0055.2.402	3-3	02	1
19.0032.8.401	3-9 i	15	2	19.0041.0.684	3-73	54	(2)	19.0055.4.403	3-11	29	(1)
19.0032.8.401	3-11 i	21	2	19.0041.0.684	3-79	22	(1)	19.0055.4.406	3-21	12	1

Note: i...indexer

Revised 01/2007

e-mail: service@amfreece.cz; parts@amfreece.cz; website: www.amfreece.com

**INDEX**

PART NUMBER	PAGE	DET	QTY	PART NUMBER	PAGE	DET	QTY	PART NUMBER	PAGE	DET	QTY
19.0055.4.407	3-21	11	2	19.0063.5.417	3-23	04	1	19.0064.7.405	3-33	17	(2)
19.0055.4.408	3-31	07	2	19.0063.5.418	3-71	03	(2)	19.0064.7.429	3-3 i	22	1
19.0055.4.418	3-75	12	2	19.0063.5.418	3-79	03	(1)	19.0064.7.430	3-75	38	1
19.0055.4.419	3-21	30	1	19.0063.5.418	3-9 i	2	2	19.0064.7.431	3-75	16	1
19.0055.4.421	3-3	06	1	19.0063.5.418	3-11 i	02	2	19.0064.7.432	3-31	18	1
19.0055.4.421	3-19	06	1	19.0063.5.418	3-15 i	2	2	19.0064.8.407	3-33	29	1
19.0055.4.422	3-5 i	17	1	19.0063.5.418	3-37	02	2	19.0064.8.409	3-33	04	(2)
19.0055.4.424	3-31	45	1	19.0063.6.441	3-33	13	(2)	19.0064.8.435	3-25	08	1
19.0055.4.425	3-31	27	1	19.0063.6.442	3-19	20	1	19.0064.8.438	3-67	07	(1)
19.0055.5.400	3-31	37	2	19.0063.6.443	3-19	24	1	19.0064.8.443	3-81	3	(1)
19.0058.1.400	3-31	28	2	19.0063.6.445	3-23	24	1	19.0064.8.444	3-41	24	4
19.0061.3.601	3-25	06	1	19.0063.6.447	3-75	5	1	19.0064.8.445	3-41	06	2
19.0061.3.601	3-33	12	(2)	19.0063.6.454	3-7	13	1	19.0064.8.446	3-75	35	1
19.0061.3.605	3-63	45	1	19.0063.6.456	3-23	17	1	19.0064.8.447	3-75	33	1
19.0061.3.605	3-11 i	45	1	19.0064.1.101	3-7	07	1	19.0064.8.448	3-31	14	1
19.0061.3.605	3-15 i	45	1	19.0064.5.849	3-61	43					
19.0061.3.610	3-25	04	1	19.0064.5.849	3-61	61		<b>19.0066.7.412</b>			
19.0061.3.611	3-73	64	(1)	19.0064.5.849	3-69	46	(1)	19.0066.7.412	3-15 i	13	1
19.0061.6.401	3-59	11	(1)	19.0064.5.850	3-61	62		19.0066.7.413	3-15 i	14	1
19.0062.2.407	3-75	7	1	19.0064.5.851	3-61	63		19.0066.7.422	3-71	17	(1)
19.0062.5.404	3-63	30	1	19.0064.5.852	3-61	64		19.0066.7.423	3-71	18	(1)
19.0062.5.404	3-11 i	30	1	19.0064.5.852	3-69	48	(1)	19.0066.7.424	3-11 i	13	1
19.0062.5.404	3-15 i	30	1	19.0064.5.853	3-61	65		19.0066.7.425	3-11 i	14	1
19.0062.5.405	3-59	35	(1)	19.0064.5.854	3-61	66		19.0066.8.400	3-35	08	1
19.0062.5.405	3-69	17	(1)	19.0064.5.854	3-69	49	(1)	19.0066.8.400	3-63	07	1
19.0062.5.408	3-35	23	2	19.0064.5.855	3-61	67		19.0066.8.401	3-35	03	1
19.0062.5.408	3-63	36	2	19.0064.5.856	3-61	68		19.0066.8.401	3-63	05	1
19.0062.5.408	3-73	58	(2)	19.0064.5.856	3-69	50	(1)	19.0066.8.402	3-71	41	(1)
19.0062.5.408	3-79	21	(1)	19.0064.5.952	3-69	47	(1)	19.0066.8.404	3-79	07	(1)
19.0062.5.408	3-9 i	23	2	19.0064.5.954	3-75	6	1	19.0066.8.405	3-71	06	(1)
19.0062.5.408	3-11 i	36	2	19.0064.5.973	3-77	12	(2)	19.0066.8.405	3-9 i	3	1
19.0062.5.408	3-15 i	36	2	19.0064.5.974	3-77	11	(1)	19.0066.8.405	3-11 i	05	1
19.0062.5.408	3-37	23	2	19.0064.6.472	3-61	53	(1)	19.0066.8.405	3-15 i	5	1
19.0062.6.402	3-33	30	(1)	19.0064.6.472	3-69	36	(1)	19.0066.8.405	3-37	03	1
19.0062.6.403	3-41	22	2	19.0064.6.493	3-77	21	(1)	19.0066.8.406	3-71	09	(1)
19.0062.7.410	3-31	04	1	19.0064.6.504	3-13	11	(1)	19.0066.8.406	3-9 i	8	1
				19.0064.6.506	3-3 i	15	1	19.0066.8.406	3-11 i	07	1
<b>19.0063.0.402</b>				19.0064.6.507	3-3 i	16	1	19.0066.8.406	3-15 i	7	1
19.0063.0.402	3-5	16	(1)	19.0064.6.508	3-3 i	13	2	19.0066.8.406	3-37	08	1
19.0063.1.073	3-17	02	1	19.0064.6.509	3-3 i	25	2	19.0067.1.025	3-7	03	1
19.0063.3.400	3-9	10	(1)	19.0064.6.510	3-3 i	21	1	19.0067.2.408	3-47	30	1
19.0063.3.402	3-11 i	40	1	19.0064.6.512	3-3 i	26	2	19.0067.2.415	3-3	08	1
19.0063.3.402	3-15 i	40	1	19.0064.7.402	3-35	13	2	19.0067.2.416	3-3	03	1
19.0063.3.403	3-29	15	1	19.0064.7.402	3-63	18	2	19.0067.4.401	3-19	14	1
19.0063.4.400	3-7	10	(1)	19.0064.7.402	3-71	13	(2)	19.0071.0.204	3-27	02	1
19.0063.4.403	3-7	02	1	19.0064.7.402	3-79	05	(1)	19.0071.3.403	3-15	04	1
19.0063.4.404	3-5	07	(1)	19.0064.7.402	3-9 i	13	2	19.0071.4.205	3-33	21	(1)
19.0063.5.406	3-35	02	2	19.0064.7.402	3-11 i	18	2	19.0071.4.206	3-3 i	32	1
19.0063.5.406	3-63	02	2	19.0064.7.402	3-15 i	18	2	19.0071.7.404	3-19	03	1
19.0063.5.416	3-23	01	1	19.0064.7.402	3-37	13	2	19.0072.4.404	3-29	31	1

Note: i...indexer

Revised 01/2007

e-mail: service@amfreece.cz; parts@amfreece.cz; website: www.amfreece.com

Phones: +420 582 309 146 (Service), +420 582 309 286 (Spare Parts); Fax: +420 582 360 606

# INDEX

PART NUMBER	PAGE	DET	QTY	PART NUMBER	PAGE	DET	QTY	PART NUMBER	PAGE	DET	QTY
19.0074.0.000	3-5 i	14	1	19.0081.5.449	3-79	23	(1)	19.0082.3.453	3-27	20	1
19.0074.4.523	3-31	20	1	19.0081.5.449	3-9 i	25	2	19.0082.3.454	3-67	24	(1)
19.0074.4.527	3-23	21	1	19.0081.5.449	3-11 i	38	2	19.0082.3.455	3-75	4	1
19.0074.4.536	3-31	23	1	19.0081.5.449	3-15 i	38	2	19.0082.3.461	3-9	14	1
19.0074.4.537	3-77	13	(1)	19.0081.5.449	3-37	25	2	19.0082.3.462	3-5 i	20	1
19.0074.4.540	3-75	40	1	19.0081.5.451	3-71	34	(1)	19.0082.3.463	3-61	72	1
19.0074.4.541	3-7 i	6	2	19.0081.5.452	3-71	32	(1)	19.0082.3.757	3-43	14	1
19.0074.4.542	3-17	16	1	19.0081.5.453	3-71	42	(1)	19.0082.6.420	3-59	33	(1)
19.0074.6.215	3-63	19	1	19.0081.5.454	3-39	24	1	19.0082.6.421	3-35	17	1
19.0074.6.216	3-27	03	1	19.0081.5.459	3-13	12	(1)	19.0082.6.421	3-63	27	1
19.0074.6.221	3-11 i	19	1	19.0081.5.460	3-39	13	1	19.0082.6.421	3-73	72	(1)
19.0074.6.221	3-15 i	19	1	19.0081.5.461	3-21	27	1	19.0082.6.421	3-11 i	27	1
19.0074.6.225	3-39	01	1	19.0081.5.462	3-11 i	34	1	19.0082.6.421	3-37	17	1
19.0074.6.226	3-39	12	1	19.0081.5.464	3-15 i	34	1	19.0082.6.422	3-35	10	1
19.0074.6.227	3-39	05	1	19.0081.5.472	3-9 i	9	1	19.0082.6.422	3-73	71	(1)
19.0075.4.404	3-39	02	1	19.0081.5.472	3-13 i	60	1	19.0082.6.422	3-37	10	1
				19.0081.5.472	3-15 i	60	1	19.0082.6.426	3-71	38	(1)
<b>19.0081.0.505</b>				19.0081.5.473	3-9 i	6	1	19.0082.6.427	3-71	20	(1)
19.0081.0.505	3-33	09	(2)	19.0081.5.473	3-13 i	61	1	19.0082.6.432	3-71	36	(1)
19.0081.0.506	3-33	08	(2)	19.0081.5.473	3-15 i	61	1	19.0082.6.434	3-41	02**	3
19.0081.0.512	3-11 i	41	1	19.0081.5.474	3-5 i	21	1	19.0082.6.434	3-69	42	(2)
19.0081.0.512	3-15 i	41	1	19.0081.5.475	3-5 i	19	1	19.0082.6.445	3-3 i	28	1
19.0081.0.516	3-23	02	2	19.0081.6.402	3-47	03	1	19.0082.6.446	3-3 i	29	1
19.0081.1.760	3-35	19	1	19.0081.6.403	3-47	05	1	19.0082.6.448	3-3 i	11	2
19.0081.1.760	3-9 i	19	1					19.0082.6.450	3-3 i	10	1
19.0081.1.760	3-37	19	1	<b>19.0082.1.405</b>				19.0082.6.451	3-3 i	17	1
19.0081.1.761	3-35	22	1	19.0082.1.405	3-71	23	(1)				
19.0081.1.761	3-9 i	22	1	19.0082.1.406	3-11	38	(1)	<b>19.0083.1.671</b>			
19.0081.1.761	3-37	22	1	19.0082.1.409	3-13	23	(1)	19.0083.1.671	3-75	10	1
19.0081.1.766	3-13 i	51	1	19.0082.1.410	3-13	09	(1)	19.0083.1.681	3-27	14	1
19.0081.1.767	3-13 i	52	1	19.0082.2.526	3-59	29	(1)	19.0083.1.682	3-33	02	1
19.0081.1.770	3-71	50	(1)	19.0082.2.526	3-69	12	(1)	19.0083.1.683	3-33	03	1
19.0081.1.771	3-71	48	(1)	19.0082.2.531	3-13	13	(1)	19.0083.1.687	3-53	19	1
19.0081.4.445	3-75	20	1	19.0082.3.404	3-47	15	1	19.0083.1.687	3-21 i	19	1
19.0081.5.415	3-15	13	1	19.0082.3.407	3-15	09	1	19.0083.4.021	3-39	09	1
19.0081.5.418	3-47	26	1	19.0082.3.410	3-57	11	1	19.0083.7.002	3-49	40	(1)
19.0081.5.430	3-79	16	(1)	19.0082.3.410	3-69	14	(1)	19.0083.7.002	3-17 i	40	(1)
19.0081.5.433	3-35	29	1	19.0082.3.410	3-77	08	(1)	19.0084.1.613	3-19	46	(1)
19.0081.5.433	3-65	53	1	19.0082.3.411	3-27	11	1	19.0084.1.614	3-45	20	1
19.0081.5.433	3-9 i	29	1	19.0082.3.416	3-59	26	(1)	19.0087.0.420	3-59	09	(1+1*)
19.0081.5.433	3-37	29	1	19.0082.3.433	3-29	36	2	19.0087.0.424	3-71	27	(1)
19.0081.5.440	3-35	26	1	19.0082.3.434	3-69	28	(1)	19.0087.0.425	3-63	25	1
19.0081.5.440	3-9 i	26	1	19.0082.3.435	3-69	25	(1)	19.0087.0.425	3-11 i	25	1
19.0081.5.440	3-37	26	1	19.0082.3.437	3-71	45	(1)	19.0087.0.425	3-15 i	25	1
19.0081.5.447	3-73	51	(1)	19.0082.3.438	3-71	39	(1)	19.0087.0.428	3-63	20	1
19.0081.5.447	3-13 i	53	1	19.0082.3.439	3-71	16	(1)	19.0087.0.428	3-11 i	20	1
19.0081.5.447	3-15 i	53	1	19.0082.3.445	3-47	12	1	19.0087.0.428	3-15 i	20	1
19.0081.5.448	3-73	69	(1)	19.0082.3.447	3-67	19	(1)	19.0087.0.432	3-61	59	1
19.0081.5.449	3-35	25	2	19.0082.3.448	3-67	10	(1)	19.0087.0.432	3-69	44	(1)
19.0081.5.449	3-73	57	(2)	19.0082.3.450	3-27	25	1	19.0087.0.434	3-61	60*	1

Note: i...indexer

Revised 01/2007

e-mail: service@amfreece.cz; parts@amfreece.cz; website: www.amfreece.com

**INDEX**

PART NUMBER	PAGE	DET	QTY	PART NUMBER	PAGE	DET	QTY	PART NUMBER	PAGE	DET	QTY
19.0087.0.434	3-69	45	(1)	19.8001.0.006	3-55	03	1				
19.0091.0.402	3-49	04	1	19.8001.1.006	3-23 i	03	1				
19.0091.0.402	3-17 i	04	1	19.8001.1.101	3-23 i	16	1				
19.0094.0.404	3-47	04	1	19.8001.1.103	3-23 i	15	1				
19.0094.0.410	3-71	26	(1)	19.8001.1.105	3-17 i	35	(1)				
19.0094.0.414	3-39	14	1								
19.0094.1.400	3-29	05	2	<b>23.2044.0.050</b>							
19.0094.1.401	3-71	33	(1)	23.2044.0.050	3-13	17	(1)				
19.0094.2.408	3-67	09	(1)	24.0061.0.000	3-13	14	(1)				
19.0094.2.409	3-15	02	7	24.0097.0.000	3-53	14	(1)				
19.0094.2.409	3-27	23	5	24.0097.0.000	3-21 i	14	(1)				
19.0094.2.410	3-51	24	1	24.4019.0.000	3-49	41	(1)				
19.0094.2.410	3-19 i	24	1	24.4019.0.000	3-17 i	41	(1)				
19.0094.2.412	3-15	01	1								
19.0094.2.412	3-27	18	See Page 3-14								
19.0094.2.413	3-39	19	-								
19.0094.2.414	3-3 i	33	1								
19.0094.2.417	3-41	32	1								
19.0094.2.417	3-43	31	(1)								
19.0094.2.417	3-45	1	1								
19.0094.2.418	3-45	6	1								
19.0094.5.401	3-15	12	1								
19.0094.5.402	3-15	08	1								
19.0094.5.405	3-27	21	1								
19.0094.5.406	3-27	15	1								
19.0094.5.407	3-27	12	1								
19.0094.5.408	3-27	24	1								
19.0094.5.409	3-27	40	2								
19.0094.5.412	3-15	03	1								
19.0094.5.412	3-27	22	See Page 3-14								
19.0094.5.412	3-33	24	1								
19.0094.5.413	3-27	04	2								
19.0095.1.402											
19.0095.1.402	3-29	06	2								
19.0095.1.405	3-29	13	2								
19.0095.1.405	3-49	29	8								
19.0095.1.405	3-17 i	29	8								
19.0095.1.406	3-69	32	(1)								
19.0095.1.408	3-39	03	1								
19.0095.2.400	3-75	22	1								
19.0095.2.403	3-49	05	1								
19.0095.2.403	3-17 i	05	1								
19.0095.3.405	3-39	06	1								
19.0095.4.401	3-7 i	3	1								
19.0095.4.402	3-7 i	2	1								
19.0095.4.403	3-39	15	1								
19.8001.0.001	3-55	16	1								
19.8001.0.003	3-55	15	1								
19.8001.0.005	3-49	35	(1)								

Note: i...indexer

Revised 01/2007

e-mail: [service@amfreece.cz](mailto:service@amfreece.cz); [parts@amfreece.cz](mailto:parts@amfreece.cz); website: [www.amfreece.com](http://www.amfreece.com)

Phones: +420 582 309 146 (Service), +420 582 309 286 (Spare Parts); Fax: +420 582 360 606

**Note:** i...indexer