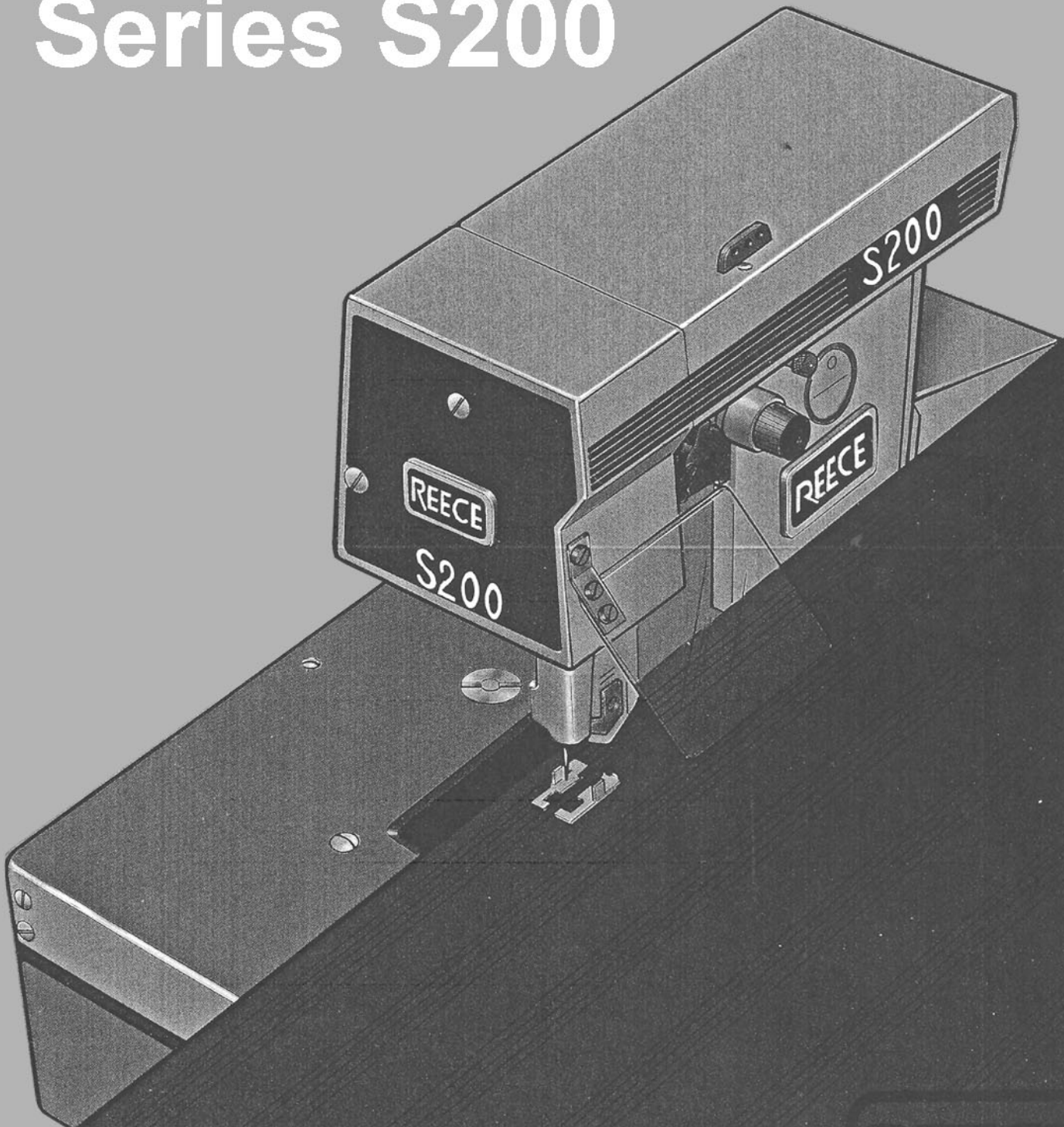


Illustrated Parts List

Buttonhole Machines Series S200

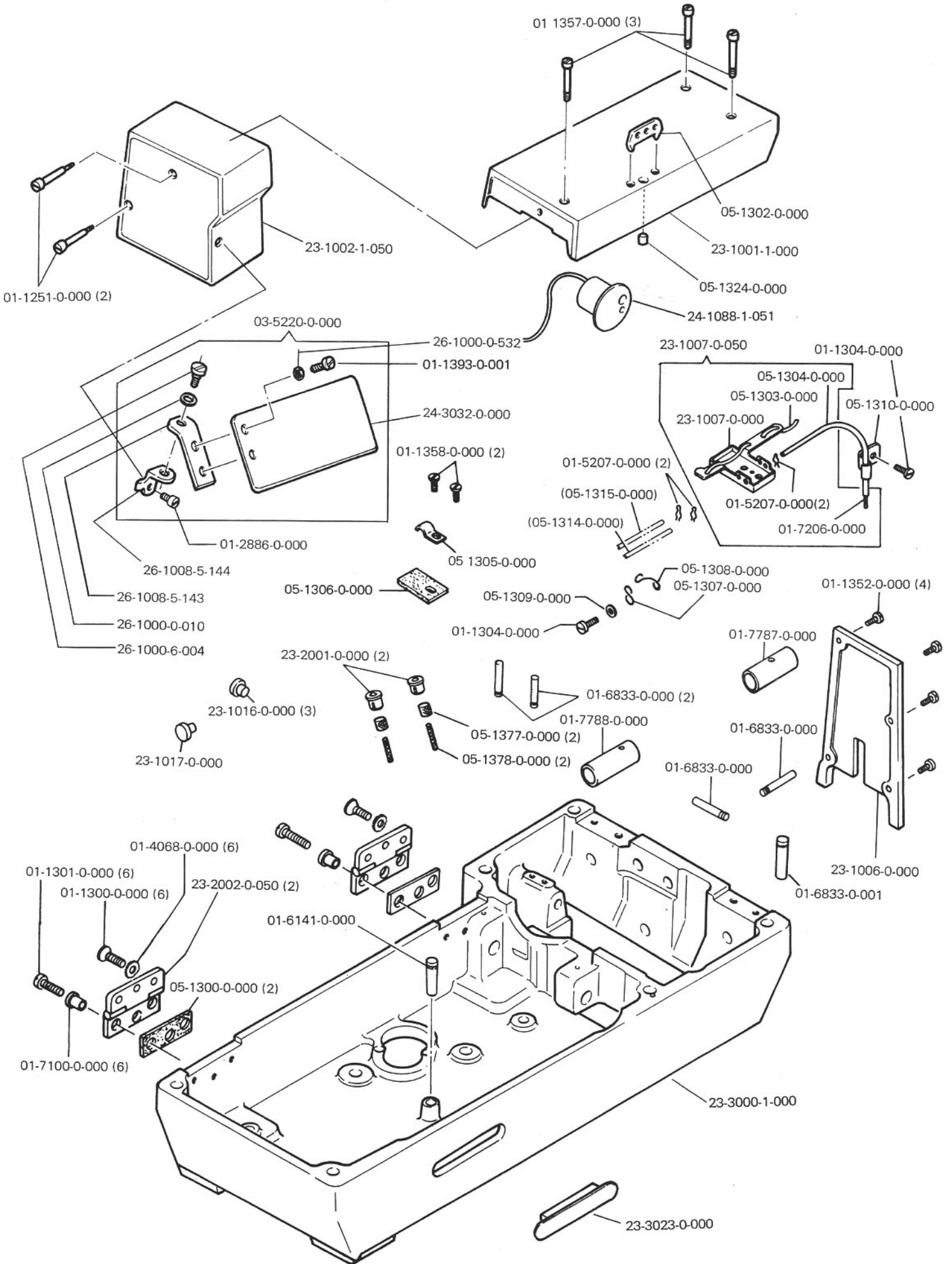


CONTENTS

S200

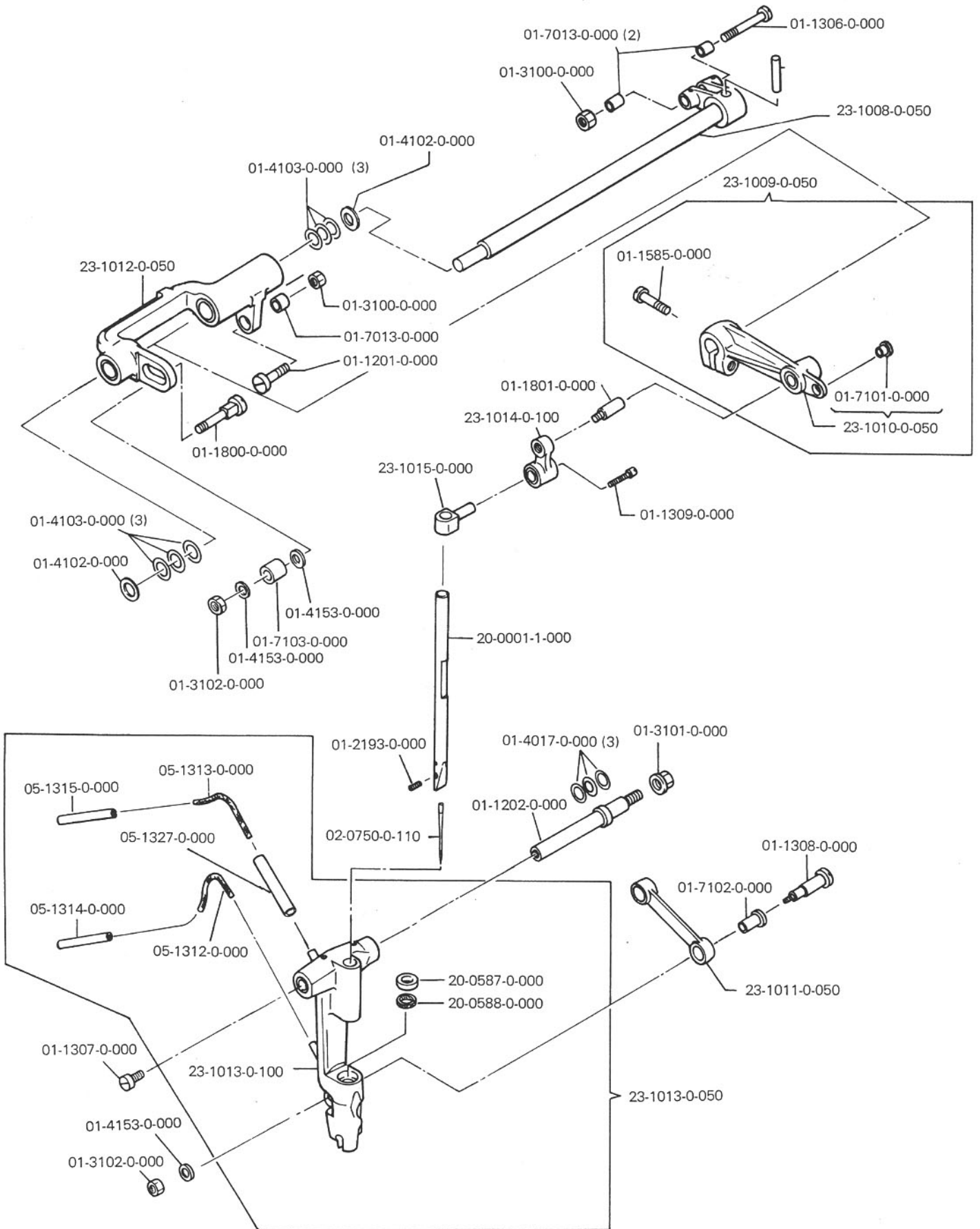
1.	HEAD BED PLATE & BASE ASM.	1
2.	NEEDLE BAR DRIVE & VIBRATING – HEAD	2
3.	NEEDLE BAR DRIVE & VIBRATING – BED PLATE	3
4.	FEED MECHANISM	4
5.	FEED BRAKE	5
6.	BUTTONHOLE LENGTH CONTROL	6
7.	BARRING MECH. & TENSION RELEASE	7
8.	CLAMP PLATE SIDE SHIFTING MECH.	8
9.	THREAD TENSION & CONTROLS	9
10.	CLAMPING	10
11.	LOOPER DRIVE	11
12.	STOP MOTION	12
13.	THREAD TRIMMER	13
14.	CUTTING LEVER	14
15.	MAIN SHAFT	15
16.	CLUTCH SHIFTING	16
17.	CLUTCH	17
18.	BED PLATE PARTS	18
19.	BASE & COMPONENT PARTS	19
20.	BELT GUARD	20
21.	ACCESSORIES AND OPTIONS	21
	PARTS INDEX	22

1. HEAD BED PLATE & BASE ASM



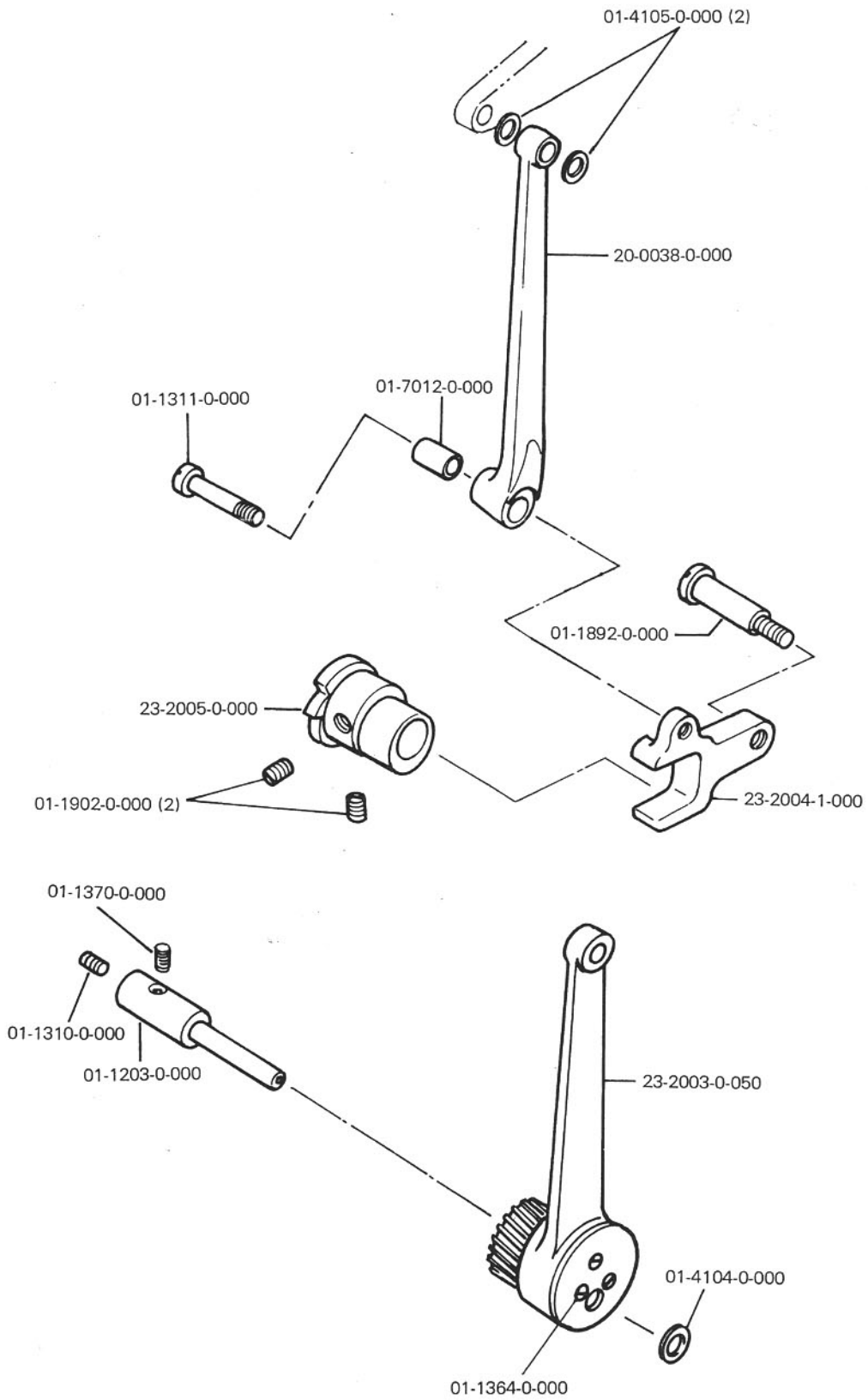
No.	Description
01-1251-0-000	Screw (2)
01-1300-0-000	Screw (6)
01-1301-0-000	Screw (6)
01-1304-0-000	Screw
01-1304-0-000	Screw
01-1352-0-000	Screw (4)
01-1357-0-000	Screw (3)
01-1358-0-000	Screw (2)
01-1393-0-001	Screw
01-2886-0-000	Screw
01-4068-0-000	Washer (6)
01-5207-0-000	Spring Retainer (2)
01-5207-0-000	Spring Retainer (2)
01-6141-0-000	Pin (Base)
01-6833-0-000	Pin-Grooved (2)
01-6833-0-000	Pin-Grooved
01-6833-0-000	Pin-Grooved
01-6833-0-001	Pin-Grooved
01-7100-0-000	Rubber Bushing (6)
01-7206-0-000	Oil Wick
01-7787-0-000	Bushing (Back)
01-7788-0-000	Bushing (Front)
03-5220-0-000	Eye Guard Kit
05-1300-0-000	Rubber Mat (2)
05-1302-0-000	Top Cover Thread Eyelet
05-1303-0-000	Oil Wick
05-1304-0-000	Oil Tube
05-1305-0-000	Felt Holder
05-1306-0-000	Felt Wick
05-1307-0-000	Oil Tube Retainer
05-1308-0-000	Oil Wick Guide
05-1309-0-000	Washer
05-1310-0-000	Holder
05-1324-0-000	Pipe
05-1377-0-000	Felt Wick (.35)
05-1378-0-000	Felt Wick (1.50)
23-1001-1-000	Top Cover
23-1002-1-050	Face Plate Asm.
23-1006-0-000	Head Cover (Back)
23-1007-0-000	Holder
23-1007-0-050	Holder Asm.
23-1016-0-000	Plug (3)
23-1017-0-000	Plug
23-2001-0-000	Oil Well (2)
23-2002-0-050	Hinge Asm. (2)
23-3000-1-000	Base
23-3023-0-000	Plug
24-1088-1-051	Oil Gage Reservoir
24-3032-0-000	Eye Guard
26-1000-0-010	Spring Washer
26-1000-0-532	Washer
26-1008-5-143	Eye Guard Support
26-1008-5-144	Eye Guard Support Bracket

2. NEEDLE BAR DRIVE & VIBRATING – HEAD



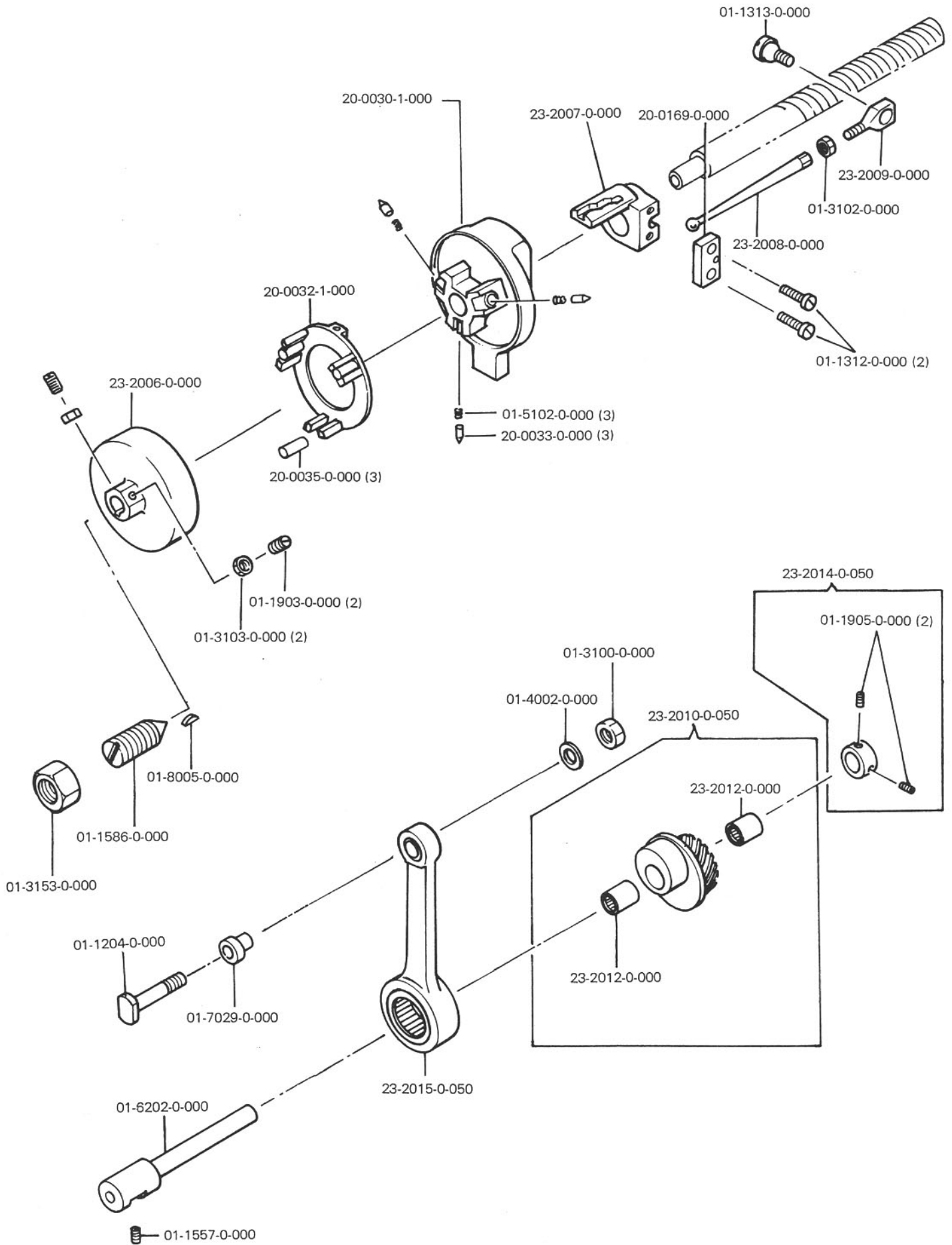
No.	Description
01-1201-0-000	Stud
01-1202-0-000	Stud
01-1306-0-000	Screw
01-1307-0-000	Screw
01-1308-0-000	Eccentric Screw
01-1309-0-000	Screw
01-1585-0-000	Screw
01-1800-0-000	Shoulder Screw
01-1801-0-000	Shoulder Screw
01-2193-0-000	Set Screw
01-3100-0-000	Nut
01-3100-0-000	Nut
01-3101-0-000	Nut
01-3102-0-000	Nut
01-3102-0-000	Nut
01-4017-0-000	Shim (3)
01-4102-0-000	Washer (2)
01-4103-0-000	Washer (6)
01-4153-0-000	Washer
01-4153-0-000	Washer (2)
01-7013-0-000	Bushing
01-7013-0-000	Bushing (2)
01-7101-0-000	Bushing
01-7102-0-000	Bushing
01-7103-0-000	Bushing
02-0750-0-110	Needle
05-1312-0-000	Oil Wick
05-1313-0-000	Oil Wick
05-1314-0-000	Oil Tube (Long)
05-1315-0-000	Oil Tube (Middle)
05-1327-0-000	Oil Tube (Short)
20-0001-1-000	Needle Bar
20-0587-0-000	Wick Cover
20-0588-0-000	Wick
23-1008-0-050	Shaft Asm.
23-1009-0-050	Drive Lever and Screw Asm.
23-1010-0-050	Drive Lever Asm.
23-1011-0-050	Link Asm.
23-1012-0-050	Roker Comp.
23-1013-0-050	Rocker Asm.
23-1013-0-100	Rocker Comp.
23-1014-0-100	Link Comp.
23-1015-0-000	Clamp

3. NEEDLE BAR DRIVE & VIBRATING – BED PLATE



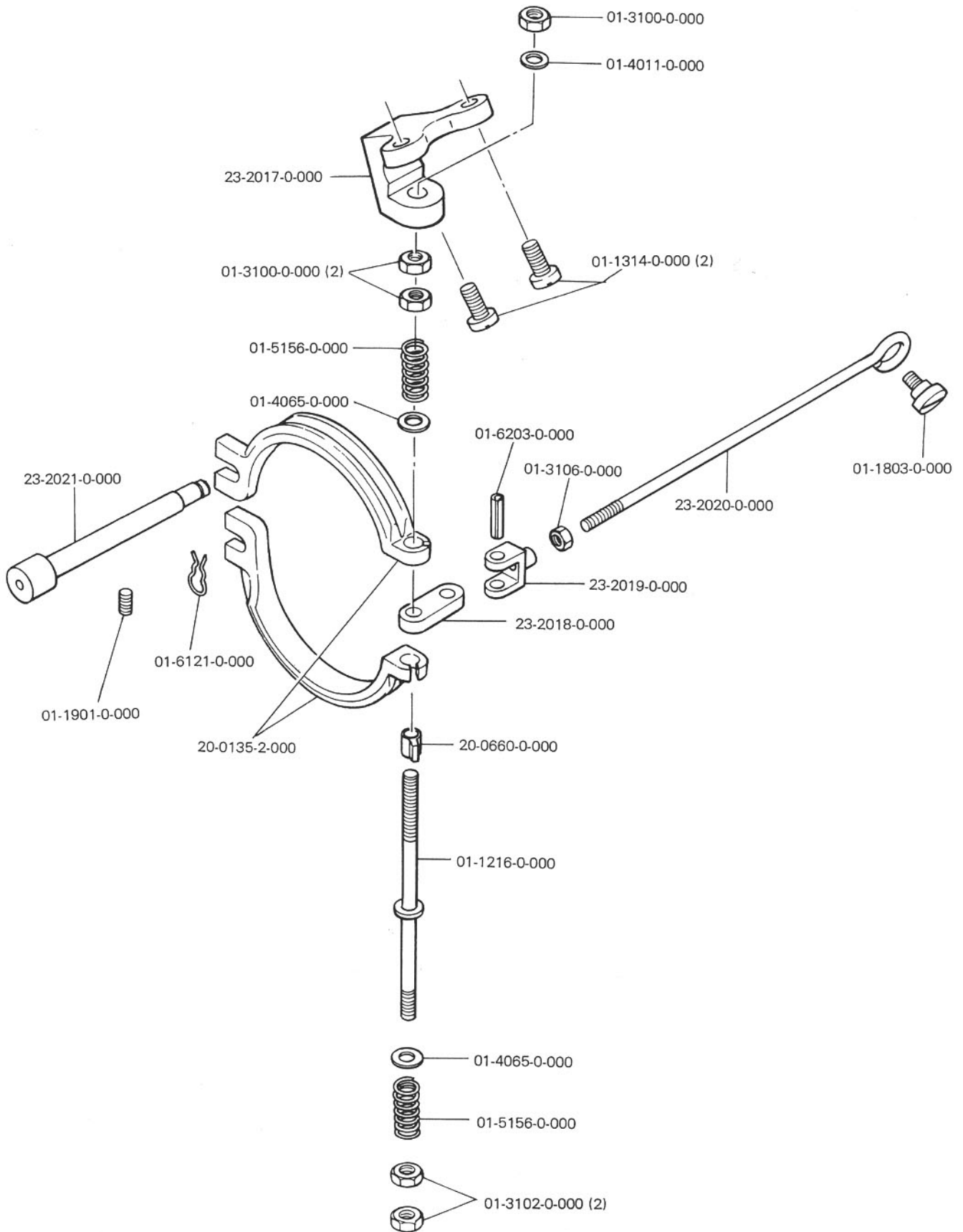
No.	Description
01-1203-0-000	Stud
01-1310-0-000	Screw
01-1311-0-000	Screw
01-1364-0-000	Screw (3)
01-1370-0-000	Set Screw
01-1892-0-000	Shoulder Screw
01-1902-0-000	Set Screw (2)
01-4104-0-000	Washer
01-4105-0-000	Washer (2)
01-7012-0-000	Bushing
20-0038-0-000	Link
23-2003-0-050	Small Gear & Link Asm.
23-2004-1-000	Bite Cam Follower
23-2005-0-000	Bite Cam

4. FEED MECHANISM



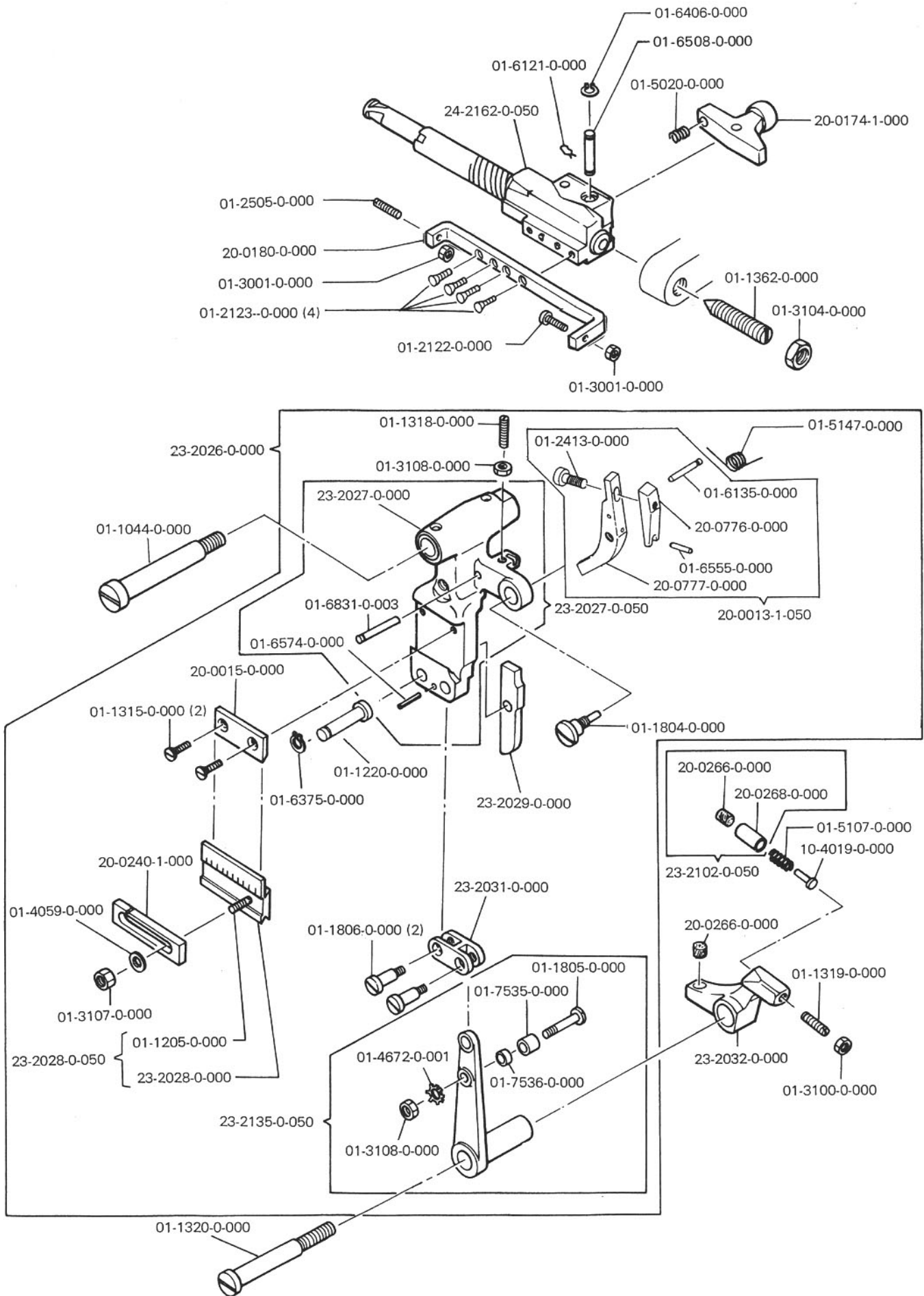
No.	Description
01-1204-0-000	Stud Screw
01-1312-0-000	Screw (2)
01-1313-0-000	Ball Screw
01-1557-0-000	Set Screw
01-1586-0-000	Bearing Screw
01-1903-0-000	Set Screw (2)
01-1905-0-000	Set Screw (2)
01-3100-0-000	Nut
01-3102-0-000	Nut
01-3103-0-000	Nut (2)
01-3153-0-000	Lock Nut
01-4002-0-000	Washer
01-5102-0-000	Spring (3)
01-6202-0-000	Support Pin
01-7029-0-000	Bushing
01-8005-0-000	Key
20-0030-1-000	Feed Cage Asm.
20-0032-1-000	Shifter Ring Asm.
20-0033-0-000	Race Plunger (3)
20-0035-0-000	Roller (3)
20-0169-0-000	Bearing Cap
23-2006-0-000	Feed Drum
23-2007-0-000	Shifter.
23-2008-0-000	Connecting Rod
23-2009-0-000	Link
23-2010-0-050	Eccentric and Gear
23-2012-0-000	Bearing-Feed Eccentric (2)
23-2014-0-050	Collar Asm.
23-2015-0-050	Connecting Link Asm.

5. FEED BRAKE



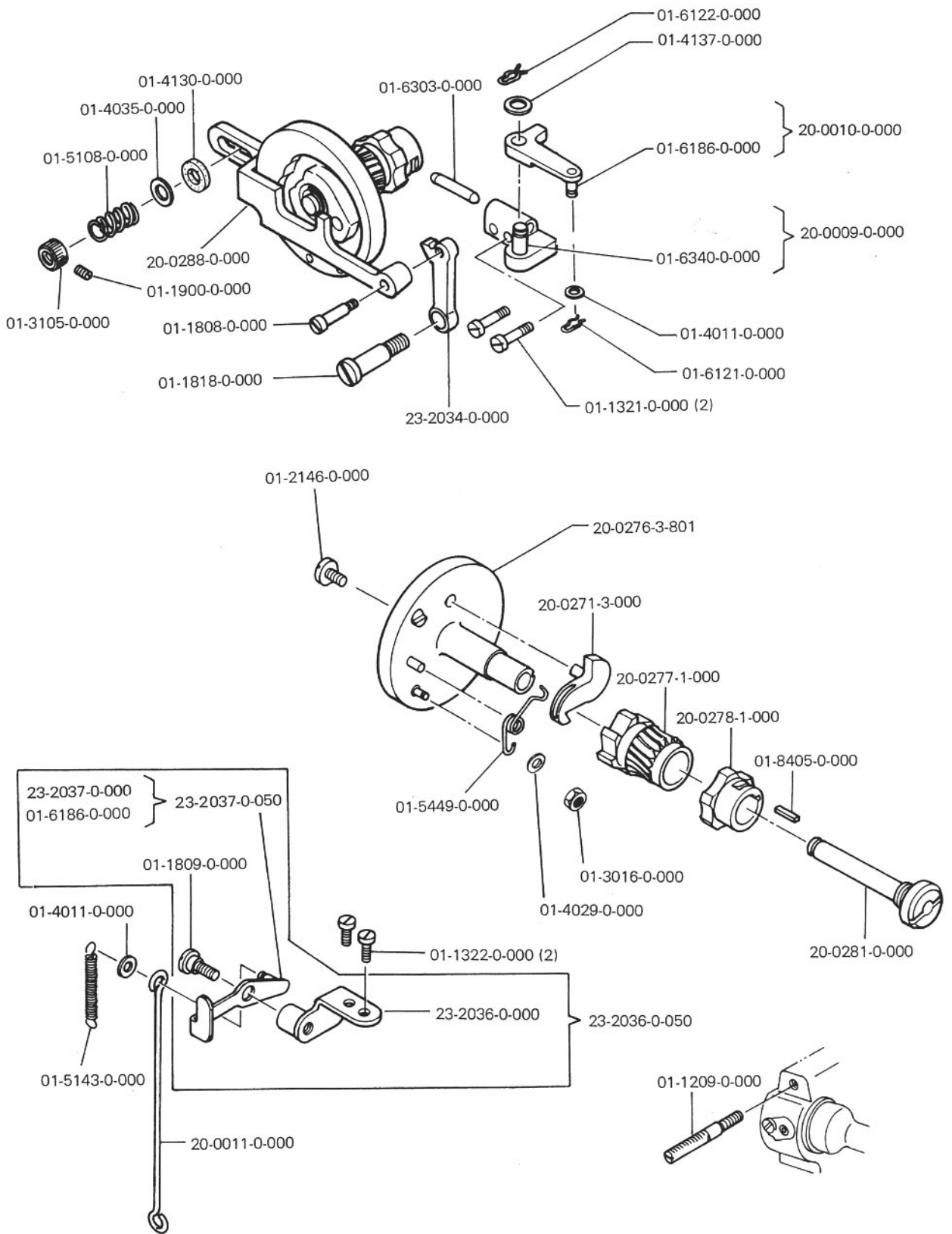
No.	Description
01-1216-0-000	Brake Stud
01-1314-0-000	Shoulder Screw (2)
01-1803-0-000	Screw
01-1901-0-000	Set Screw
01-3100-0-000	Nut (3)
01-3102-0-000	Nut (2)
01-3106-0-000	Nut
01-4011-0-000	Washer
01-4065-0-000	Washer (2)
01-5156-0-000	Spring (2)
01-6121-0-000	Retainer Spring
01-6203-0-000	Pin-Roll
20-0135-2-000	Brake Shoe (2)
20-0660-0-000	Release Cam
23-2017-0-000	Bracket
23-2018-0-000	Release Asm.
23-2019-0-000	Clevis
23-2020-0-000	Rod
23-2021-0-000	Brake Shoe Shaft

6. BUTTONHOLE LENGTH CONTROL



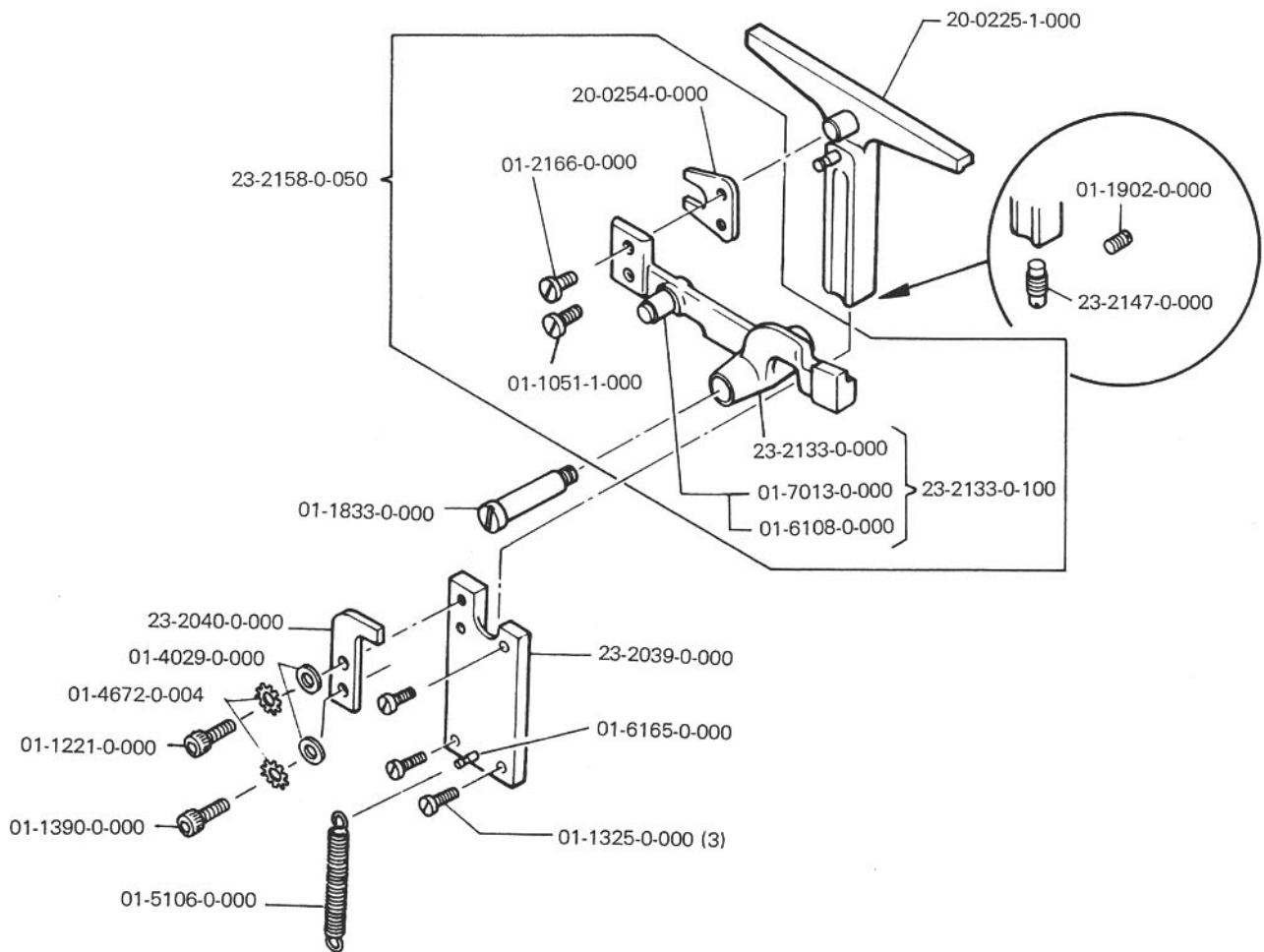
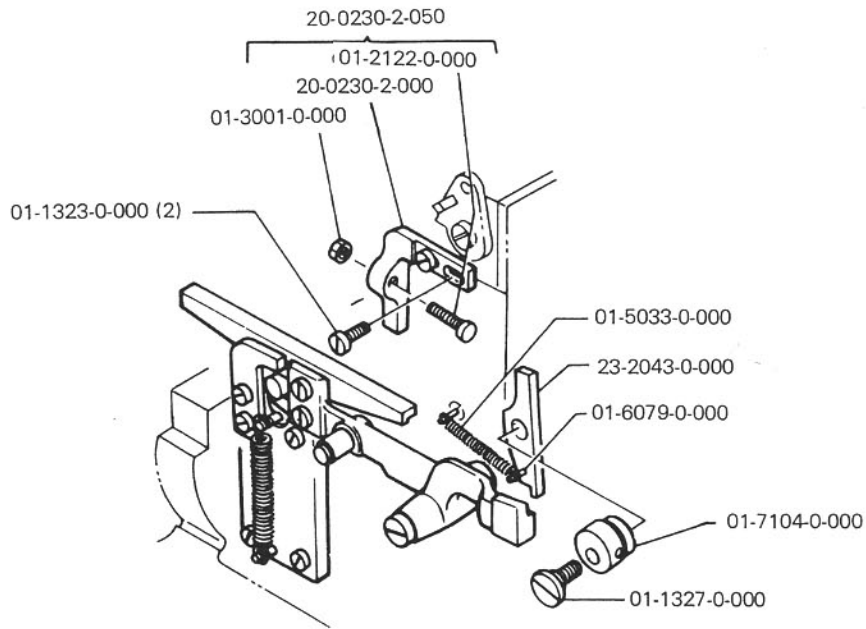
No.	Description
01-1044-0-000	Pivot Screw
01-1205-0-000	Stud Screw
01-1220-0-000	Stud
01-1315-0-000	Screw (2)
01-1318-0-000	Adjustable Screw
01-1319-0-000	Adjustable Screw
01-1320-0-000	Pivot Screw
01-1362-0-000	Bearing Screw
01-1804-0-000	Shoulder Screw
01-1805-0-000	Screw
01-1806-0-000	Shoulder Screw(2)
01-2122-0-000	Adjustable Screw
01-2123-0-000	Screw (4)
01-2413-0-000	Screw
01-2505-0-000	Adjustable Screw
01-3001-0-000	Nut (2)
01-3100-0-000	Nut
01-3104-0-000	Lock Nut
01-3107-0-000	Nut
01-3108-0-000	Nut
01-3108-0-000	Nut
01-4059-0-000	Washer
01-4672-0-001	Lock Washer
01-5020-0-000	Spring
01-5107-0-000	Spring
01-5147-0-000	Spring
01-6121-0-000	Spring
01-6135-0-000	Pin
01-6375-0-000	' E ' -Ring
01-6406-0-000	Retaining Ring
01-6508-0-000	Pin-Pivot
01-6555-0-000	Pin
01-6574-0-000	Pin-Roll
01-6831-0-003	Pin-Gloove
01-7535-0-000	Roller
01-7536-0-000	Spacer
10-4019-0-000	Pin
20-0013-1-050	Latch-Adjustable Asm.
20-0015-0-000	Cover Plate
20-0174-1-000	Guide Block
20-0180-0-000	Bracket
20-0240-1-000	Adjustable Slide
20-0266-0-000	Brake Pad
20-0266-0-000	Brake Pad
20-0268-0-000	Plunger
20-0776-0-000	Stop Block, Latch
20-0777-0-000	Latch-Adjustable.
23-2026-0-000	Buttonhole Length Control
23-2027-0-000	Rocker Lever
23-2027-0-050	Rocker Lever Asm.
23-2028-0-000	Length Gauge
23-2028-0-050	Length Gauge Asm.
23-2029-0-000	Shifter
23-2031-0-000	Link
23-2032-0-000	Brake
23-2102-0-050	Plunger Asm.
23-2135-0-050	Lever Asm.
24-2162-0-050	Feed Screw and Feed Block

7. BARRING MECH. & TENSION RELEASE



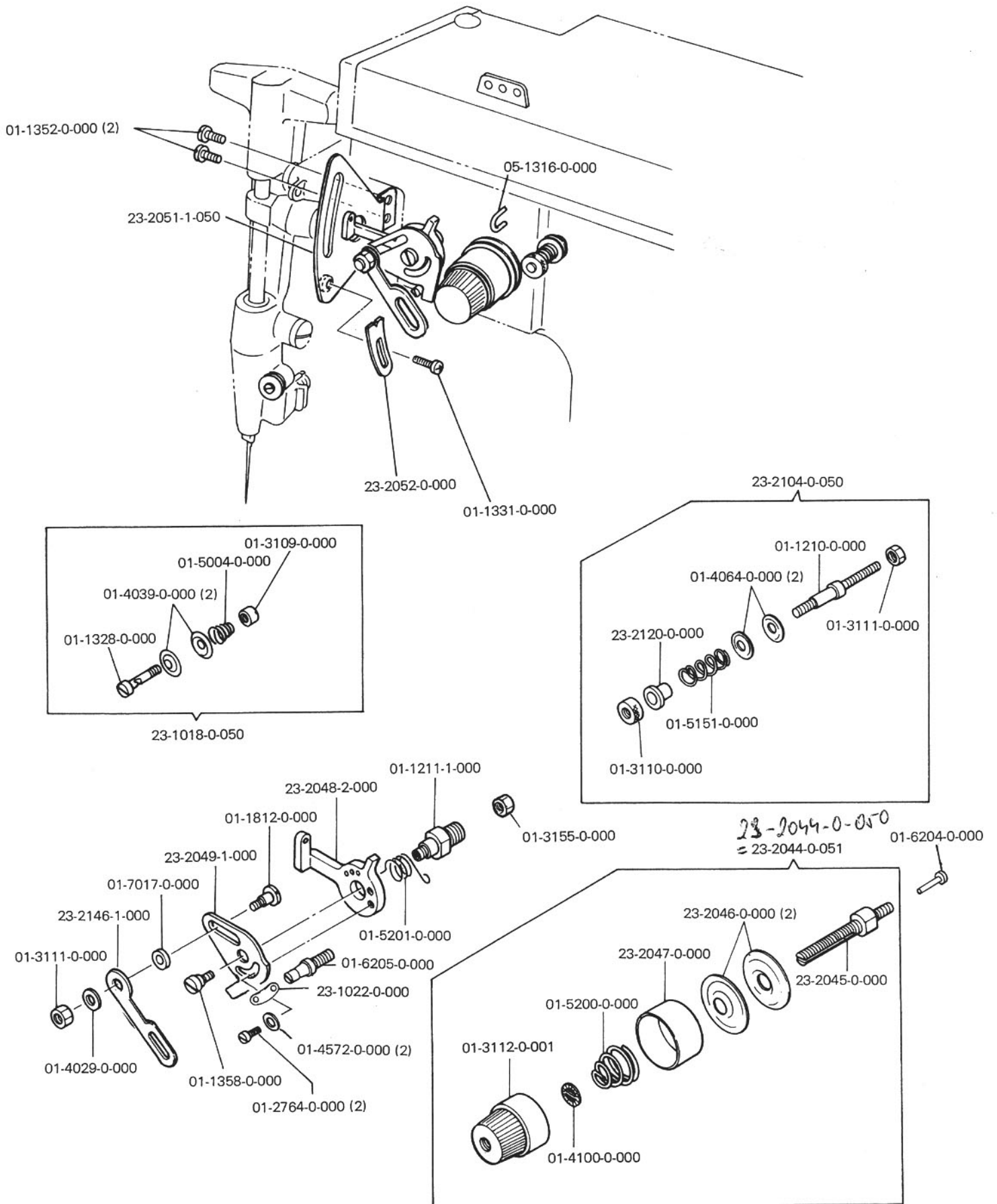
No.	Description
01-1209-0-000	Stud
01-1321-0-000	Screw (2)
01-1322-0-000	Screw(2)
01-1808-0-000	Shoulder Screw
01-1809-0-000	Shoulder Screw
01-1818-0-000	Shoulder Screw
01-1900-0-000	Set Screw
01-2146-0-000	Screw
01-3016-0-000	Nut
01-3105-0-000	Nut-Round
01-4011-0-000	Washer
01-4011-0-000	Washer
01-4029-0-000	Washer
01-4035-0-000	Washer
01-4130-0-000	Friction Washer
01-4137-0-000	Washer
01-5108-0-000	Spring
01-5143-0-000	Spring
01-5449-0-000	Spring
01-6121-0-000	Spring
01-6122-0-000	Cotter Pin
01-6186-0-000	Stud
01-6186-0-000	Stud
01-6303-0-000	Pin
01-6340-0-000	Stud
01-8405-0-000	Key
20-0009-0-000	Bracket Asm.
20-0010-0-000	Lever Asm.
20-0011-0-000	Release Rod
20-0271-3-000	Pawl
20-0276-3-801	Feed Reversing Cam
20-0277-1-000	Worm Gear
20-0278-1-000	Barring Cam
20-0281-0-000	Bearing Stud
20-0288-0-000	Shifting Lever
23-2034-0-000	Pawl Stop Lever
23-2036-0-000	Release Lever Bracket
23-2036-0-050	Release Lever Bracket Asm.
23-2037-0-000	Release Lever
23-2037-0-050	Release Lever Asm.

8. CLAMP PLATE SIDE SHIFTING MECH.



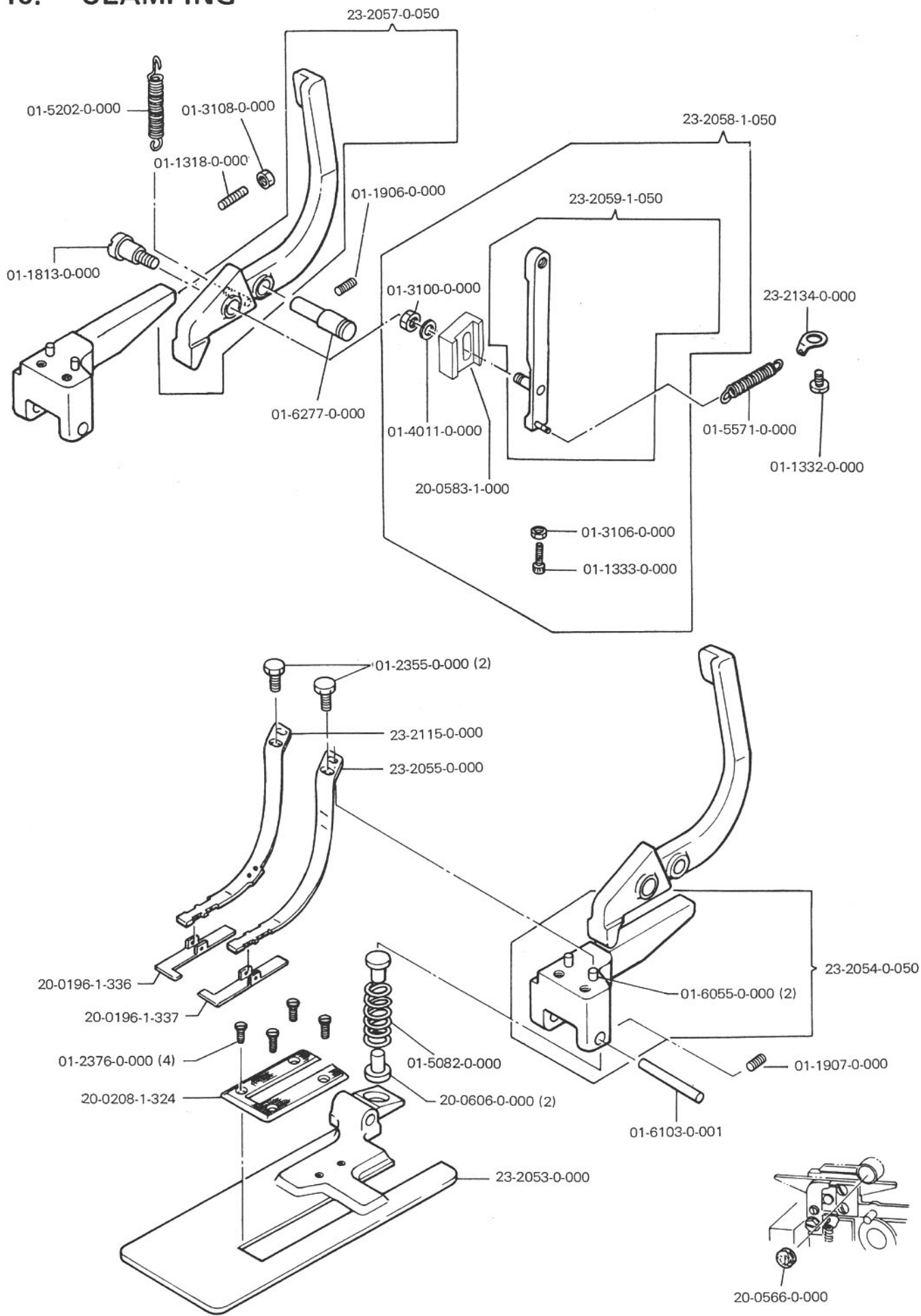
No.	Description
01-1051-1-000	Shoulder Screw
01-1221-0-000	Screw
01-1323-0-000	Screw (2)
01-1325-0-000	Screw (3)
01-1327-0-000	Screw
01-1390-0-000	Screw
01-1833-0-000	Shoulder Screw
01-1902-0-000	Set Screw
01-2122-0-000	Screw
01-2166-0-000	Screw
01-3001-0-000	Nut
01-4029-0-000	Washer (2)
01-4672-0-004	Washer (2)
01-5033-0-000	Spring
01-5106-0-000	Spring
01-6079-0-000	Anchor Pin
01-6108-0-000	Stud
01-6165-0-000	Anchor Pin
01-7013-0-000	Roll
01-7104-0-000	Eccentric Bushing
20-0225-1-000	Tee Piece Asm.
20-0230-2-000	Adjustable Stop
20-0230-2-050	Adjustable Stop Asm.
20-0254-0-000	Adjusting Finger
23-2039-0-000	Cover Plate
23-2040-0-000	Stop
23-2043-0-000	Latch Asm.
23-2133-0-000	Finger Lever
23-2133-0-100	Finger Lever Stud Asm.
23-2147-0-000	Screw-Stop
23-2158-0-050	Finger Lever Asm.

9. THREAD TENSION & CONTROLS



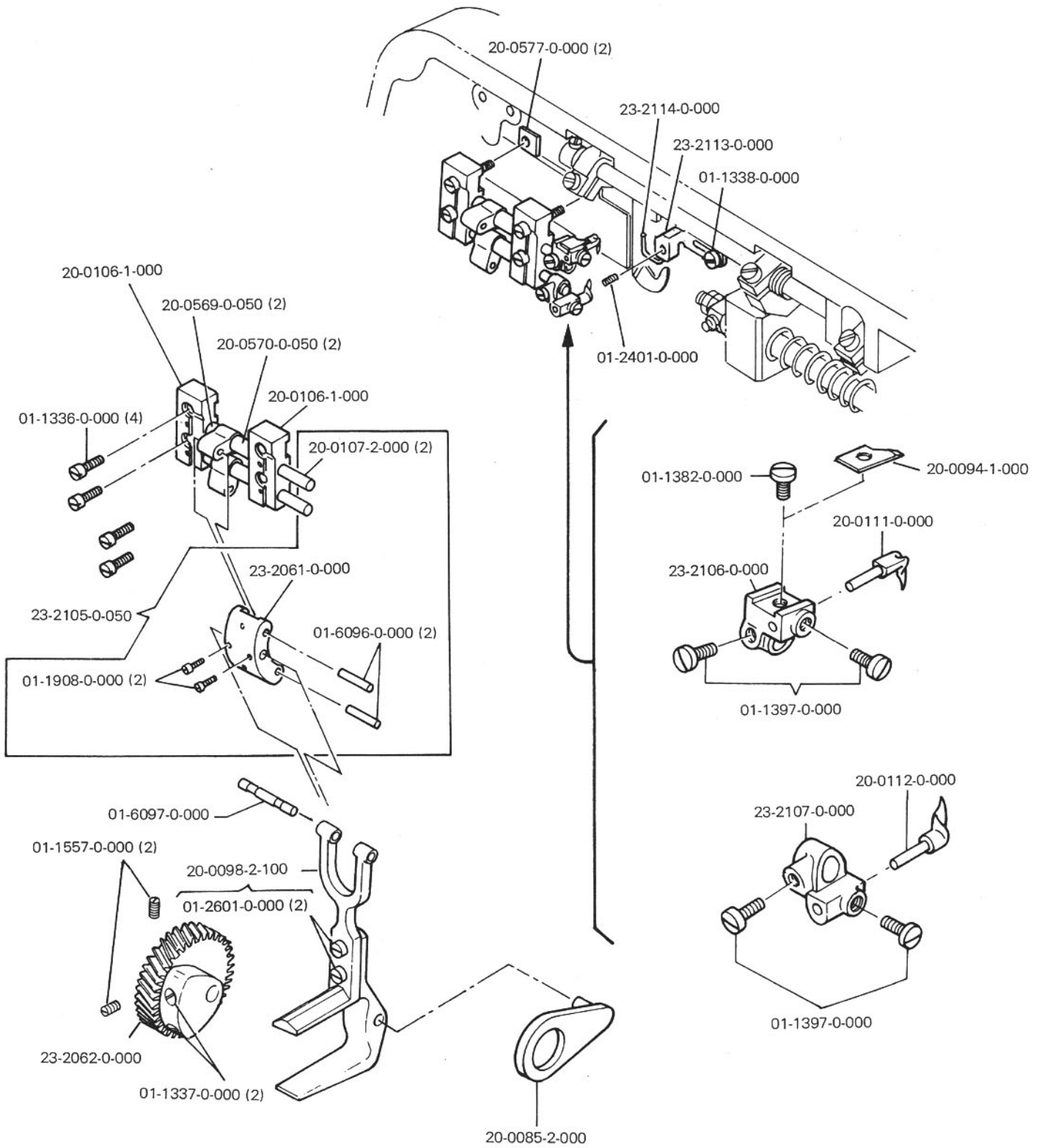
No.	Description
01-1210-0-000	Tension Stud
01-1211-1-000	Stud
01-1328-0-000	Screw
01-1331-0-000	Screw
01-1352-0-000	Screw (2)
01-1358-0-000	Screw
01-1812-0-000	Screw
01-2764-0-000	Screw (2)
01-3109-0-000	Round Nut
01-3110-0-000	Adjustable Nut
01-3111-0-000	Nut
01-3111-0-000	Nut
01-3112-0-001	Nut
01-3155-0-000	Nut
01-4029-0-000	Washer
01-4039-0-000	Tension Disc (2)
01-4064-0-000	Tension Disc (2)
01-4100-0-000	Washer
01-4572-0-000	Washer (2)
01-5004-0-000	Spring
01-5151-0-000	Spring
01-5200-0-000	Spring
01-5201-0-000	Spring
01-6204-0-000	Pin
01-6205-0-000	Pin
01-7017-0-000	Bushing
05-1316-0-000	Thread Smoother
23-1018-0-050	Needle Bar Tension Asm.
23-1022-0-000	Washer
23-2044-0-051	Tension (Large) Asm.
23-2045-0-000	Tension Stud (Large)
23-2046-0-000	Tension Disc (2)
23-2047-0-000	Releasing Disc
23-2048-2-000	Take-up Lever
23-2049-1-000	Adjusting Plate
23-2051-1-050	Thread Guide Plate
23-2052-0-000	Thread Guide Adjusting Plate
23-2104-0-050	Tension (Small) Asm.
23-2120-0-000	Check Collar
23-2146-1-000	Link Take-Up

10. CLAMPING



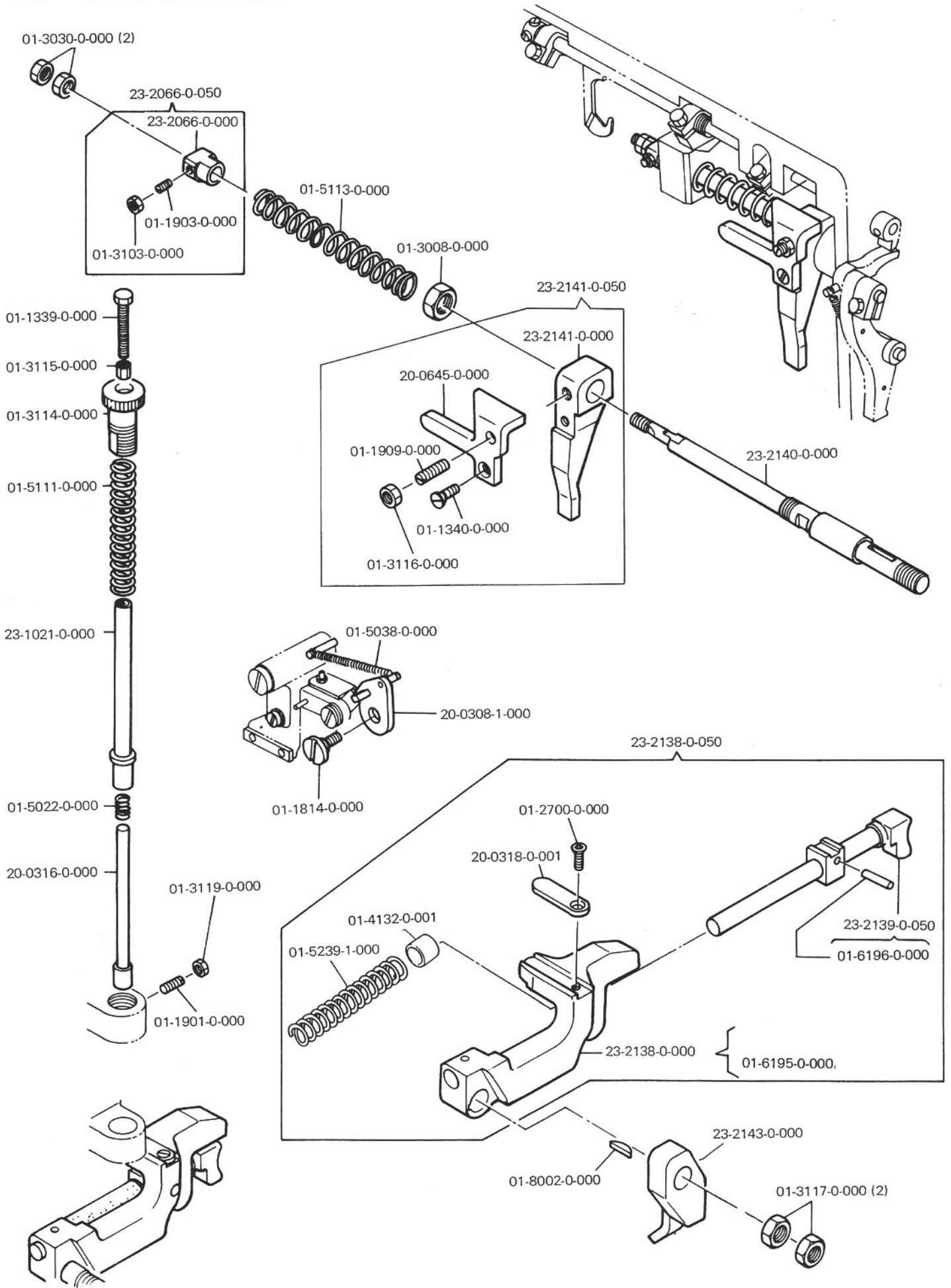
No.	Description
01-1318-0-000	Screw
01-1332-0-000	Screw
01-1333-0-000	Screw
01-1813-0-000	Shoulder Screw
01-1906-0-000	Screw
01-1907-0-000	Set Screw
01-2355-0-000	Screw (2)
01-2376-0-000	Screw-Flat Head (4)
01-3100-0-000	Nut
01-3106-0-000	Nut
01-3108-0-000	Nut
01-4011-0-000	Washer
01-5082-0-000	Spring
01-5202-0-000	Spring
01-5571-0-000	Spring
01-6055-0-000	Pin (2)
01-6103-0-001	Pivot Pin
01-6277-0-000	Pivot Pin
20-0196-1-336	Clamping Foot (Fine Left Short)
20-0196-1-337	Clamping Foot (Fine Right Short)
20-0208-1-324	Mat
20-0566-0-000	Oil Wick
20-0583-1-000	Adjustable Catch
20-0606-0-000	Spring Guide (2)
23-2053-0-000	Clamp Plate
23-2054-0-050	Tail Piece Asm.
23-2055-0-000	Clamp Arm
23-2057-0-050	Unclamping Handle Asm.
23-2058-1-050	Link, Adjustable Catch and Actuator Switch Asm.
23-2059-1-050	Link Asm.
23-2115-0-000	Clamp Arm
23-2134-0-000	Anchor

11. LOOPER DRIVE



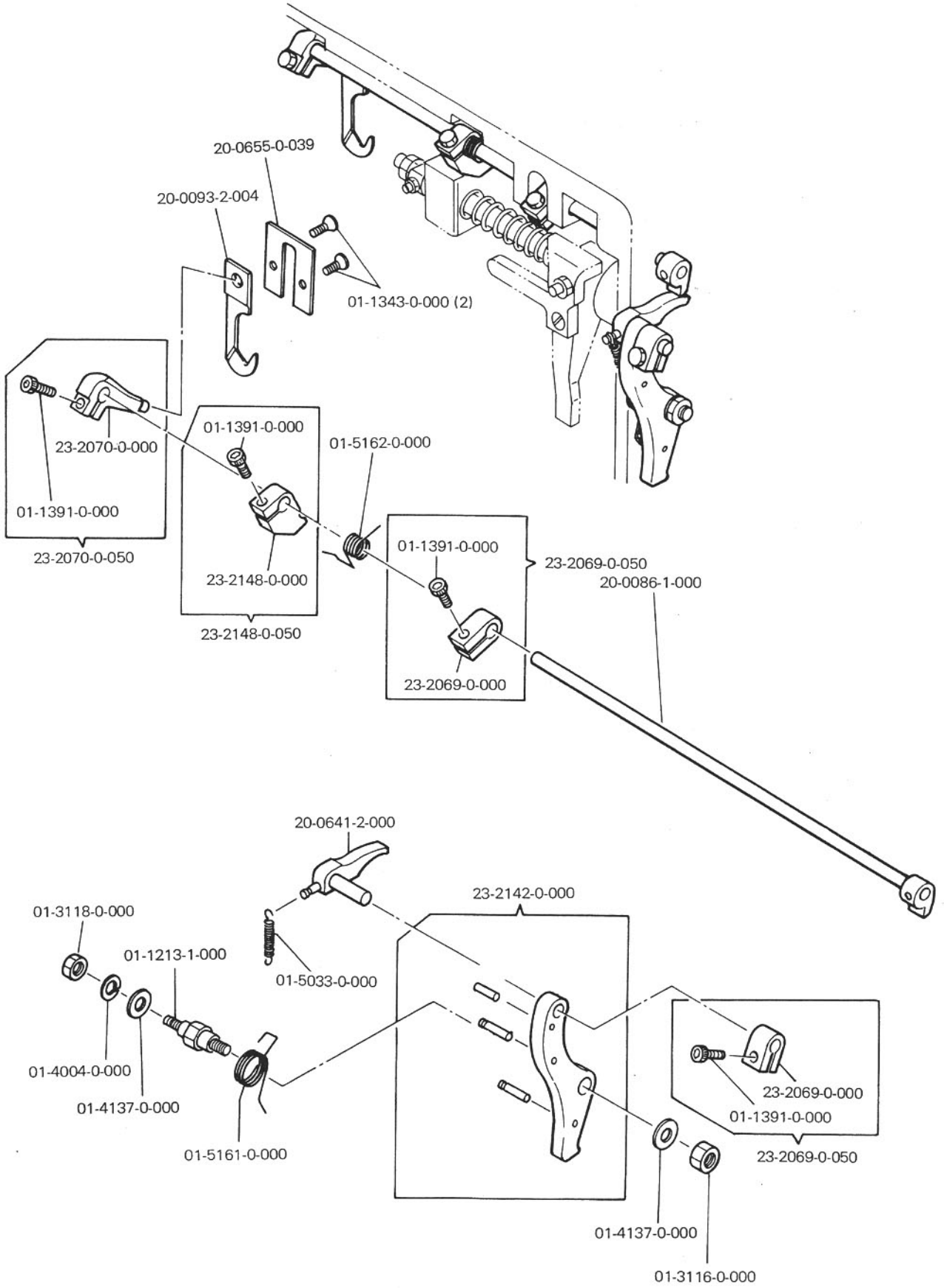
No.	Description
01-1336-0-000	Screw (4)
01-1337-0-000	Screw (Large) (2)
01-1338-0-000	Screw
01-1382-0-000	Screw
01-1397-0-000	Screw (2)
01-1397-0-000	Screw (2)
01-1557-0-000	Screw (Small) (2)
01-1908-0-000	Screw (2)
01-2401-0-000	Set Screw
01-2601-0-000	Screw (2)
01-6096-0-000	Pivot Pin (2)
01-6097-0-000	Pivot Pin
20-0085-2-000	Rocker Asm.
20-0094-1-000	Knife-Thread Trimmer
20-0098-2-100	Looper Cam Follower Asm.
20-0106-1-000	Bearing Blocks, Pair (Replace both blocks at the same time)
20-0107-2-000	Looper Drive Shaft (2)
20-0111-0-000	First Looper
20-0112-0-000	Second Looper
20-0569-0-050	Spacing Collar (Parts are sold in pairs only)
20-0570-0-050	Long Spacing Collar (Parts are sold in pairs only)
20-0577-0-000	Key (2)
23-2061-0-000	Rocker
23-2062-0-000	Feed Gear and Looper Cam
23-2105-0-050	Looper Drive Shaft Asm.
23-2106-0-000	First Looper Holder
23-2107-0-000	Second Looper Holder
23-2113-0-000	Needle Guard Bracket
23-2114-0-000	Needle Guard Wire

12. STOP MOTION



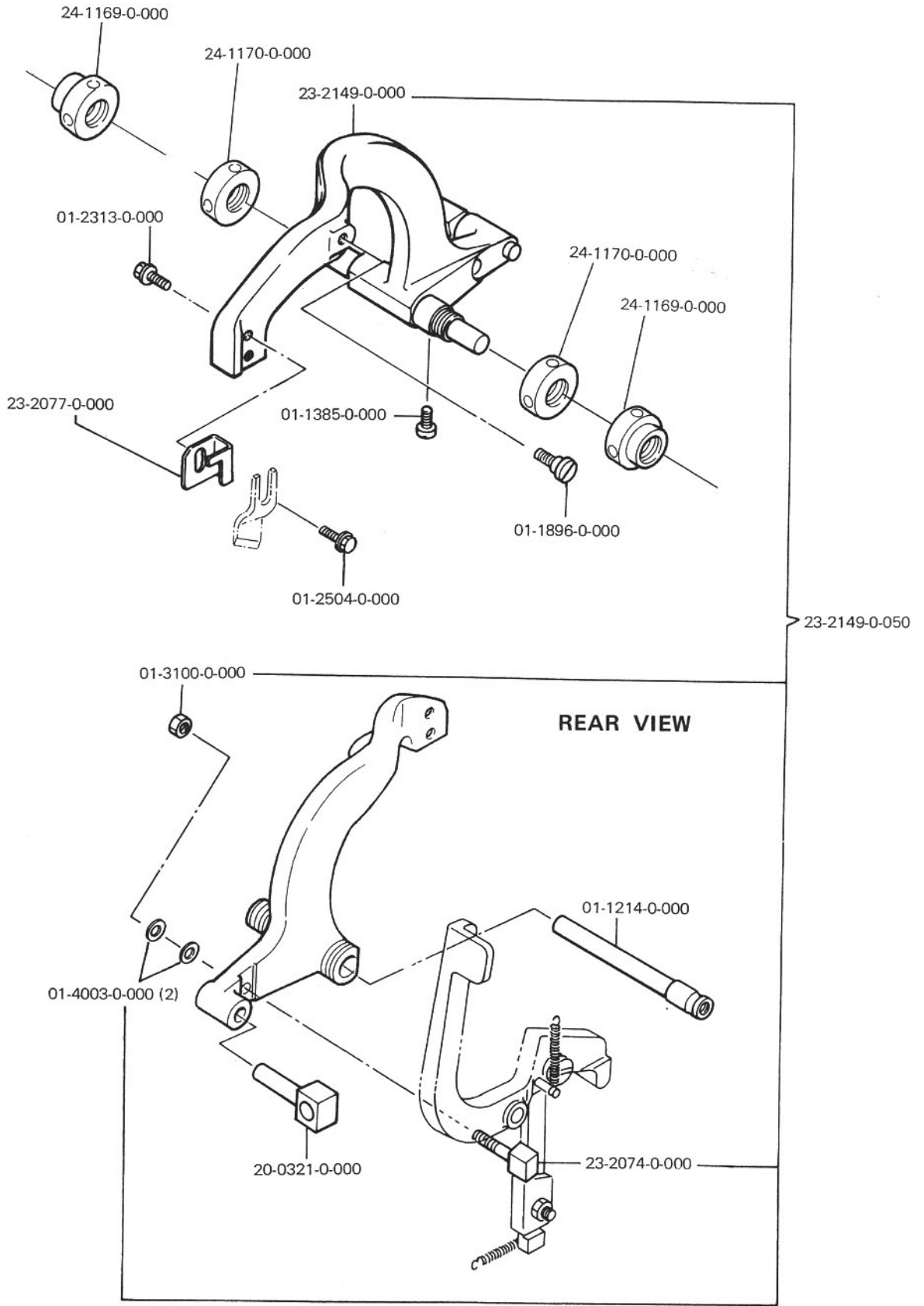
No.	Description
01-1339-0-000	Screw
01-1340-0-000	Screw-Flat Head
01-1814-0-000	Shoulder Screw
01-1901-0-000	Set Screw
01-1903-0-000	Set Screw
01-1909-0-000	Set Screw
01-2700-0-000	Screw-Flat Head
01-3008-0-000	Nut
01-3030-0-000	Lock Nut (2)
01-3103-0-000	Lock Nut
01-3114-0-000	Adjusting Nut
01-3115-0-000	Lock Nut
01-3116-0-000	Lock Nut
01-3117-0-000	Lock Nut (2)
01-3119-0-000	Nut
01-4132-0-001	Spacer
01-5022-0-000	Spring
01-5038-0-000	Spring
01-5111-0-000	Spring
01-5113-0-000	Spring
01-5239-1-000	Spring
01-6195-0-000	Stud
01-6196-0-000	Taper Pin
01-8002-0-000	Key
20-0308-1-000	Latch
20-0316-0-000	Plunger
20-0318-0-001	Anvil
20-0645-0-000	Bracket
23-1021-0-000	Guide Rod
23-2066-0-000	Adjustable Collar
23-2066-0-050	Adjustable Collar Asm.
23-2138-0-000	Stop Bolt Holder Asm.
23-2138-0-050	Stop Bolt & Bolt Holder Asm.
23-2139-0-050	Stop Bolt Asm.
23-2140-0-000	Shaft
23-2141-0-000	Arm
23-2141-0-050	Arm & Bracket Asm.
23-2143-0-000	Actuator

13. THREAD TRIMMER



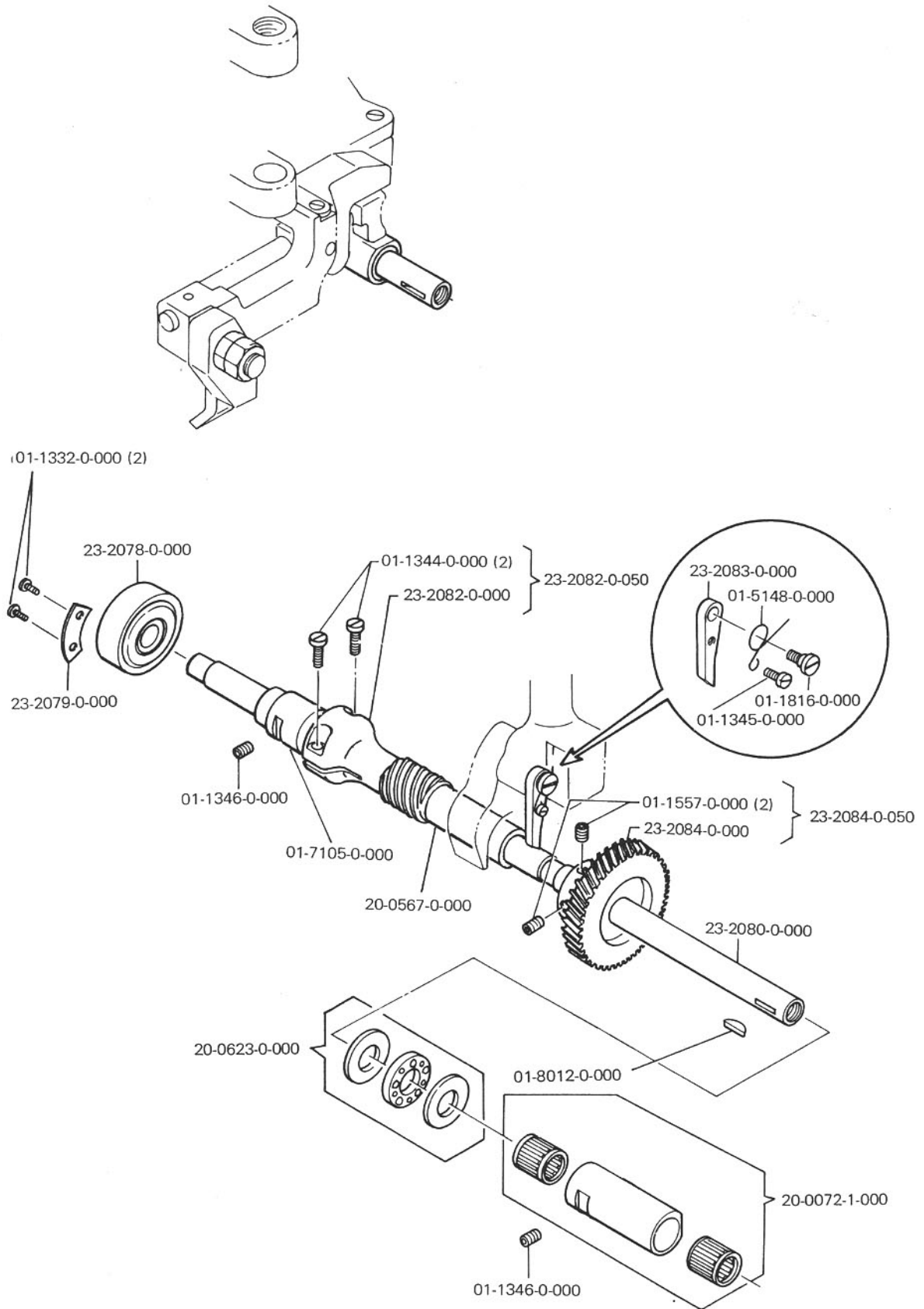
No.	Description
01-1213-1-000	Stud
01-1343-0-000	Screw-Flat Head (2)
01-1391-0-000	Screw
01-1391-0-000	Screw
01-1391-0-000	Screw
01-1391-0-000	Screw
01-3116-0-000	Nut
01-3118-0-000	Nut
01-4004-0-000	Lock Washer
01-4137-0-000	Washer (2)
01-5033-0-000	Spring
01-5161-0-000	Spring
01-5162-0-000	Spring
20-0086-1-000	Ratchet and Rod Asm.
20-0093-2-004	Trimmer Hook
20-0641-2-000	Pawl
20-0655-0-039	Cover Plate
23-2069-0-000	Safety Arm (2)
23-2069-0-050	Safety Arm Asm.
23-2070-0-000	Trimmer Actuator
23-2070-0-050	Trimmer Actuator Asm.
23-2142-0-000	Lever Asm.
23-2148-0-000	Stop Arm
23-2148-0-050	Stop Arm Asm.

14. CUTTING LEVER



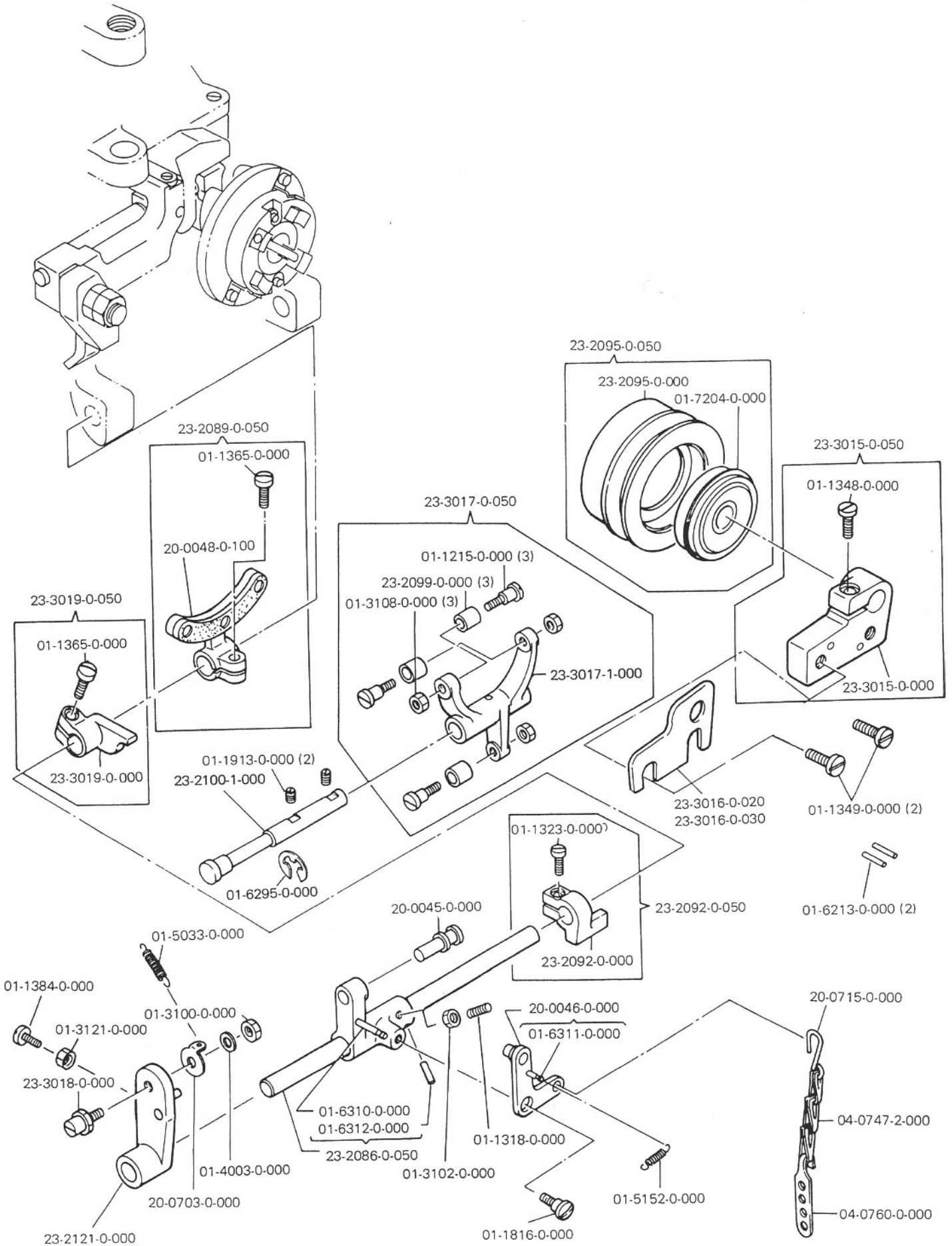
No.	Description
01-1214-0-000	Pivot Stud
01-1385-0-000	Set Screw
01-1896-0-000	Shoulder Screw
01-2313-0-000	Screw
01-2504-0-000	Screw
01-3100-0-000	Nut
01-4003-0-000	Lock Washer (2)
20-0321-0-000	Pivot Block
23-2074-0-000	Stop Post
23-2077-0-000	Knife Plate
23-2149-0-000	Cutting Lever
23-2149-0-050	Cutting Lever Asm.
24-1169-0-000	Collar (2)
24-1170-0-000	Collar (2)

15. MAIN SHAFT



No.	Description
01-1332-0-000	Screw (2)
01-1344-0-000	Screw (2)
01-1345-0-000	Screw
01-1346-0-000	Screw (2)
01-1557-0-000	Set Screw (2)
01-1816-0-000	Shoulder Screw
01-5148-0-000	Spring
01-7105-0-000	Bushing
01-8012-0-000	Key
20-0072-1-000	Bushing Asm.
20-0567-0-000	Space Collar
20-0623-0-000	Bearing Thrust
23-2078-0-000	Bearing
23-2079-0-000	Retaining Plate
23-2080-0-000	Shaft
23-2082-0-000	Worm Gear
23-2082-0-050	Worm Gear Asm.
23-2083-0-000	Pawl
23-2084-0-000	Gear (Large)
23-2084-0-050	Gear Asm.

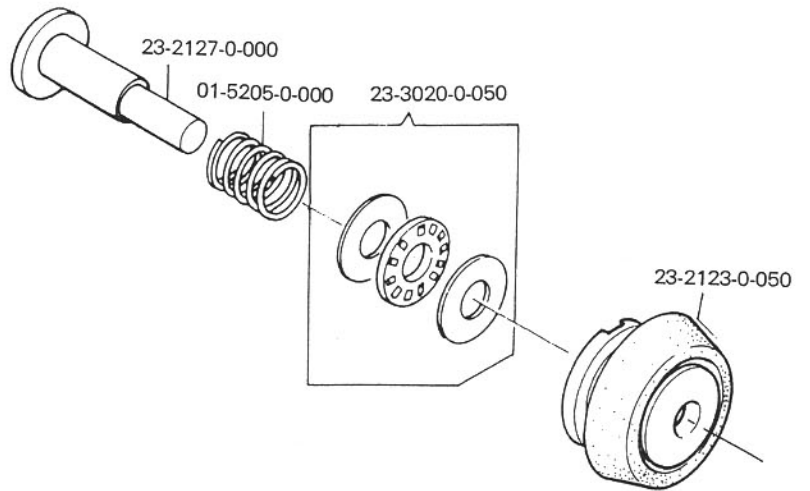
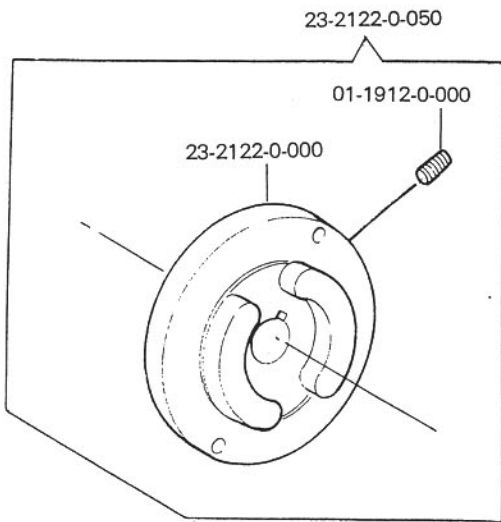
16. CLUTCH SHIFTING



No.	Description
01-1215-0-000	Stud (3)
01-1318-0-000	Screw
01-1323-0-000	Screw
01-1348-0-000	Screw
01-1349-0-000	Screw (2)
01-1365-0-000	Screw
01-1365-0-000	Screw
01-1384-0-000	Screw
01-1816-0-000	Shoulder Screw
01-1913-0-000	Set Screw (2)
01-3100-0-000	Nut
01-3102-0-000	Nut
01-3108-0-000	Nut (3)
01-3121-0-000	Nut
01-4003-0-000	Lock Washer
01-5033-0-000	Spring
01-5152-0-000	Spring
01-6213-0-000	Pin (2)
01-6295-0-000	E-Ring
01-6310-0-000	Pin
01-6311-0-000	Pin
01-6312-0-000	Taper Pin
01-7204-0-000	Bearing-Ball
04-0747-2-000	Chain
04-0760-0-000	Adjustable Link
20-0045-0-000	Plunger
20-0046-0-000	Bell Crank Asm.
20-0703-0-000	Anchor
20-0715-0-000	Chain Hook
23-2086-0-050	Shifter Shaft Asm.
23-2089-0-050	Brake Shoe and Screw Asm.
23-2092-0-000	Clutch Start Arm (Right)
23-2092-0-050	Clutch Start Arm (Right) Asm.
23-2095-0-000	Clutch Pulley
23-2095-0-050	Clutch Pulley Asm.
23-2099-0-000	Roller (3)
23-2100-1-000	Shaft
23-2121-0-000	Shifter Lever
23-3015-0-000	Bracket
23-3015-0-050	Bracket Asm.
23-3016-0-020	Shim, .020 Thick
23-3016-0-030	Shim, .030 Thick
23-3017-1-000	Clutch Shifter
23-3017-0-050	Clutch Shifter Asm.
23-3018-0-000	Shifter Stud
23-3019-0-000	Clutch Driving Arm
23-3019-0-050	Clutch Driving Arm Asm.

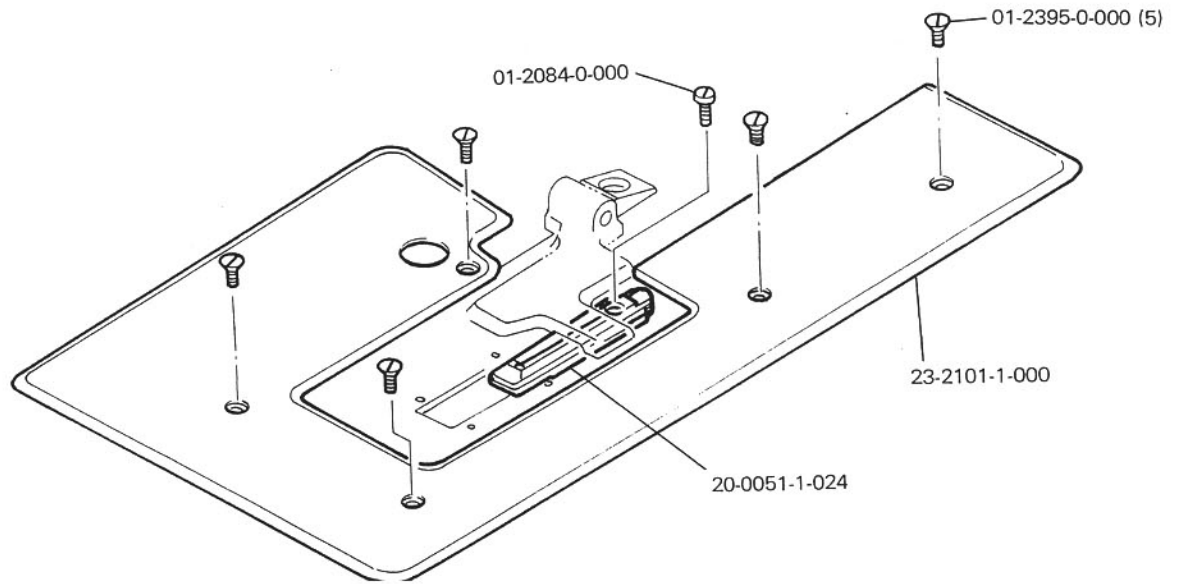
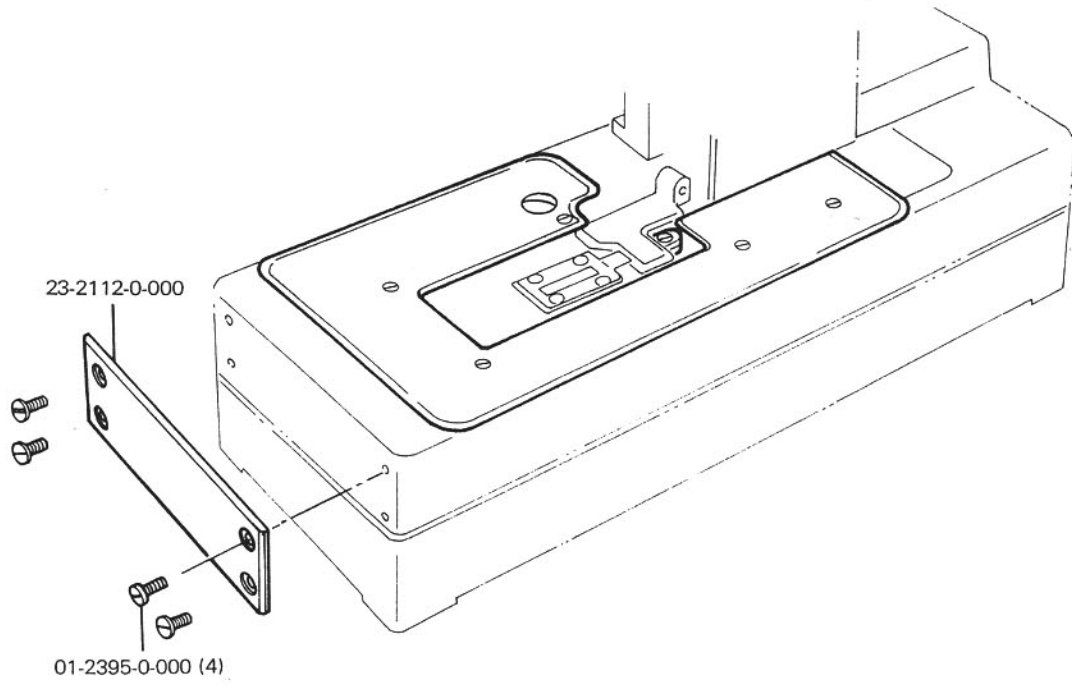
17. CLUTCH

-QUICK RELEASE



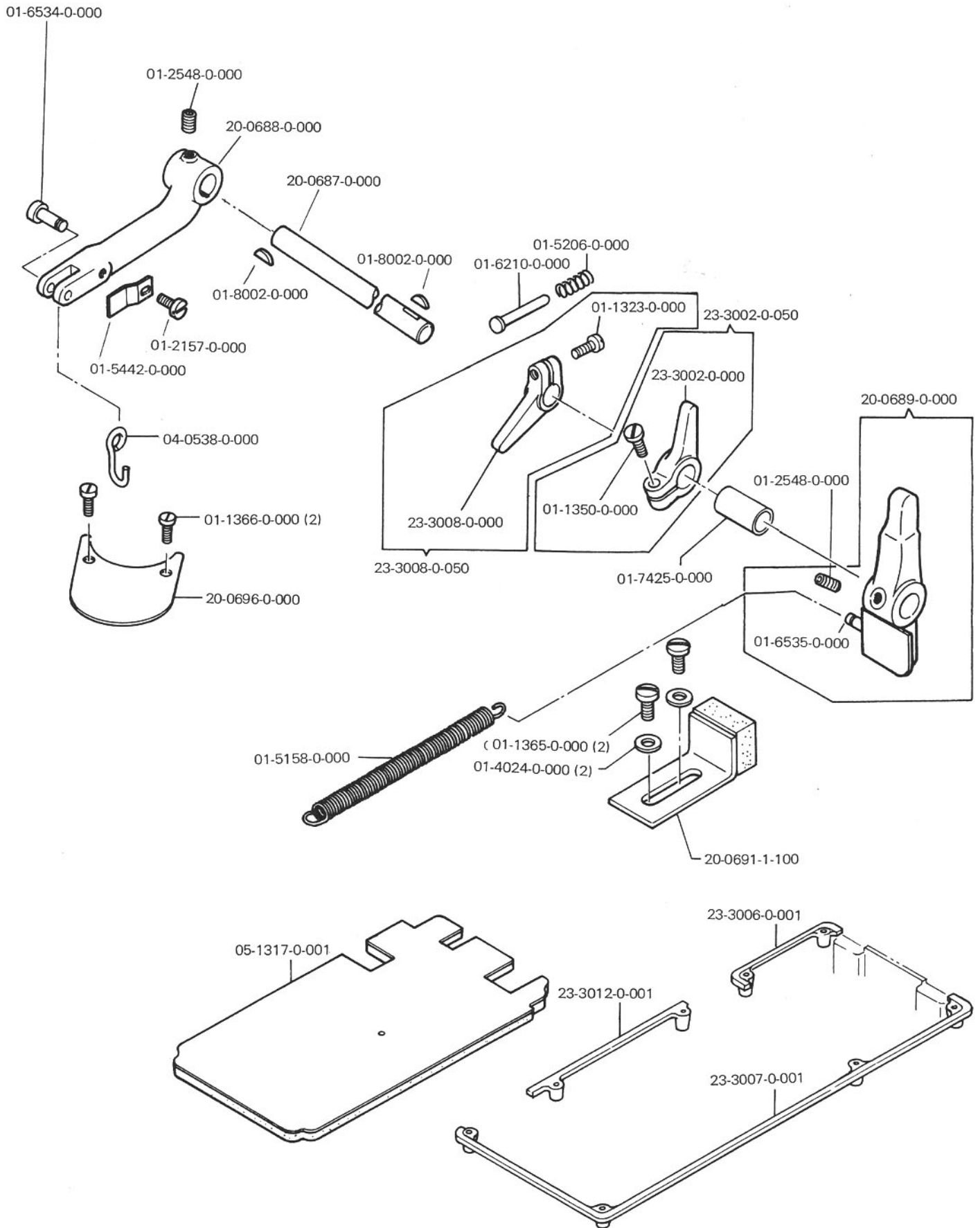
No.	Description
01-1912-0-000	Set Screw
01-5205-0-000	Spring
23-2122-0-000	Drive Pulley Quick Release
23-2122-0-050	Drive Pulley Asm. Quick Release
23-2123-0-050	Clutch Cone Asm. Quick Release
23-2127-0-000	Shaft-Quick Release
23-3020-0-050	Thrust Bearing Asm.

18. BED PLATE PARTS



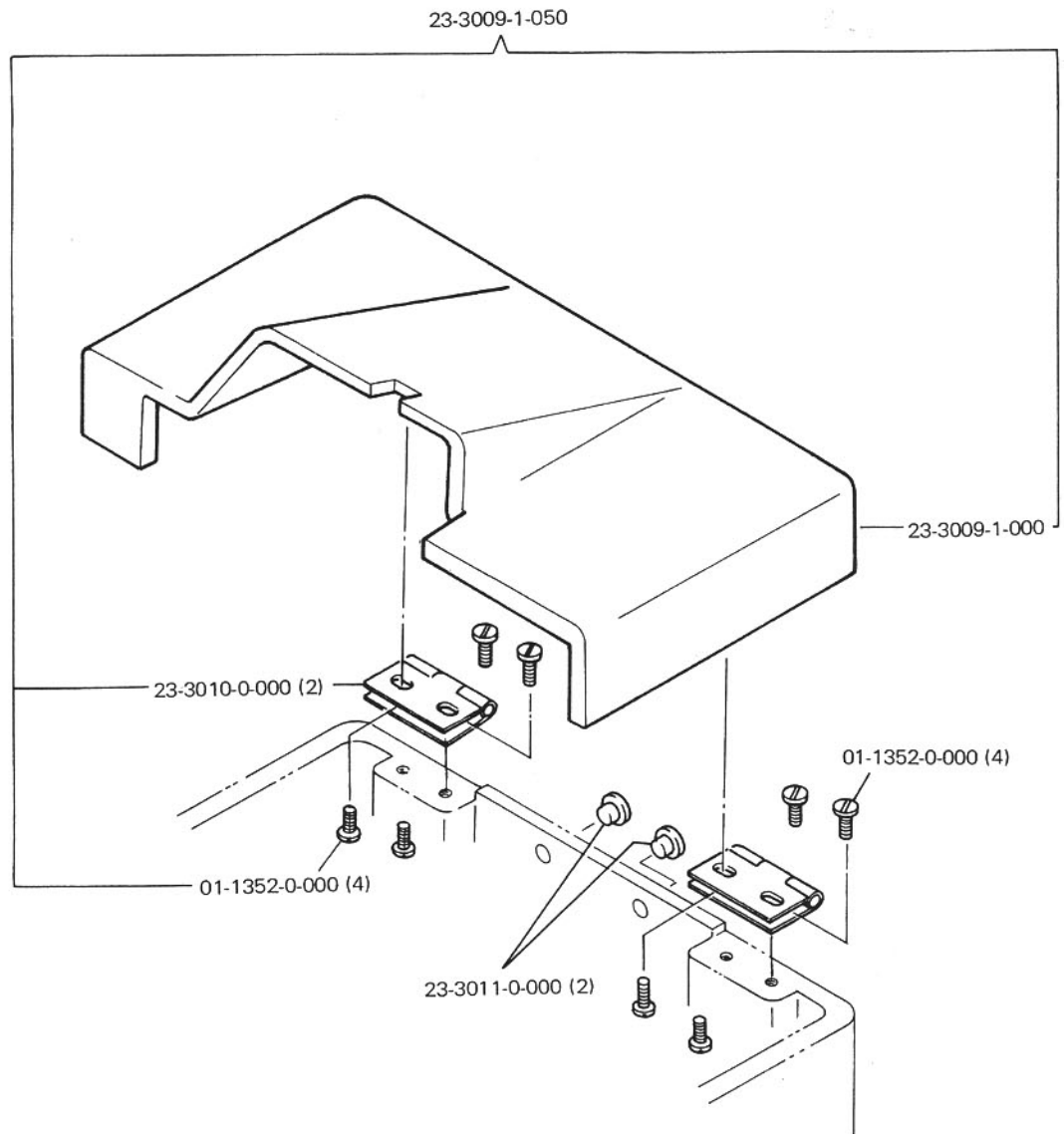
No.	Description
01-2084-0-000	Screw
01-2395-0-000	Screw (5)
01-2395-0-000	Screw (4)
20-0051-1-024	Throat Plate 3/32 Reg.
23-2101-1-000	Cover Plate
23-2112-0-000	Bed Side Cover

19. BASE & COMPONENT PARTS



No.	Description
01-1323-0-000	Screw
01-1350-0-000	Screw
01-1365-0-000	Screw (2)
01-1366-0-000	Screw (2)
01-2157-0-000	Screw
01-2548-0-000	Set Screw (2)
01-4024-0-000	Washer (2)
01-5158-0-000	Spring
01-5206-0-000	Spring
01-5442-0-000	Clip
01-6210-0-000	Pin
01-6534-0-000	Pin
01-6535-0-000	Pin-Anchor
01-7425-0-000	Collar
01-8002-0-000	Key (2)
04-0538-0-000	Hook
05-1317-0-001	Pad
20-0687-0-000	Shaft
20-0688-0-000	Lever
20-0689-0-000	Arm Asm.
20-0691-1-100	Bumper Asm.
20-0696-0-000	Cover
23-3002-0-000	Trip Lever
23-3002-0-050	Trip Lever Asm.
23-3006-0-001	Bumper (Small) Neoprene
23-3007-0-001	Bumper (Large) Neoprene
23-3008-0-000	Clutch Start Arm (Left)
23-3008-0-050	Clutch Start Arm (Left) Asm
23-3012-0-001	Bumper (Middle) Neoprene

20. BELT GUARD



No.	Description
01-1352-0-000	Screw (4)
01-1352-0-000	Screw (4)
23-3009-1-000	Belt Guard Cover
23-3009-1-050	Belt Guard Cover Asm.
23-3010-0-000	Belt Guard Cover Hinge (2)
23-3011-0-000	Bumper (2)

21. ACCESSORIES AND OPTIONS

03-0180-0-000



03-0177-0-000



03-0321-0-000



03-0055-0-000



03-0056-0-000



03-0059-0-000



03-0061-0-000



02-0750-0-110 (5)



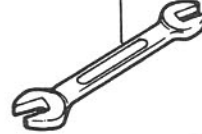
01-2111-0-000



23-2145-0-004



03-0018-0-000



03-0319-0-000



Optional Parts

03-5246-0-000



04-1423-0-002 (8)



23-2145-0-006



05-1322-0-000

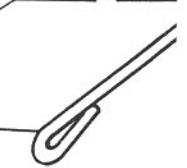


03-0045-0-000



05-0009-0-050

05-0010-0-000



01-7106-0-000 (4)



01-4704-0-002 (4)



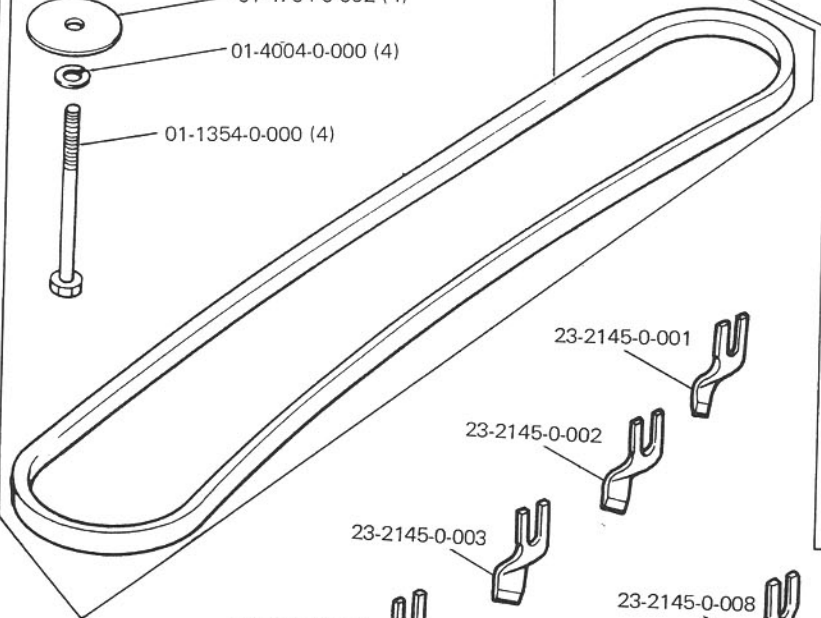
01-4004-0-000 (4)



01-1354-0-000 (4)



05-1318-0-000



23-2145-0-001



23-2145-0-002



23-2145-0-003



23-2145-0-005



23-2145-0-008



23-2145-0-007



23-2145-0-009



23-2145-0-010



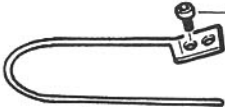
23-2145-0-011



23-2145-0-012



23-2157-0-000

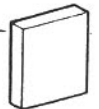


01-1252-0-000

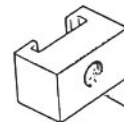


23-2311-0-000

04-1823-0-000 (4)



03-5230-0-000 (QUICK RELEASE)



Optional Parts for Pulley

Machine Speed	50 Hz Motor 5/8 Shaft	50 Hz Motor 14mm Shaft	60 Hz Motor 5/8 Shaft
3250	04-1821-0-006	04-1821-0-001	04-1821-0-00
3375	04-1821-0-007	04-1821-0-003	04-1821-0-00
3500	04-1821-0-008	04-1821-0-005	04-1821-0-00

No.	Description
01-1353-0-000	Screw
01-1367-0-000	Wood Screw (2)
01-2111-0-000	Screw
02-0750-0-110	Needle (5)
03-0018-0-000	Wrench (3/8" *5/16")
03-0045-0-000	Crank
03-0055-0-000	Key Wrench
03-0056-0-000	Key Wrench
03-0059-0-000	1/8" Key Wrench
03-0061-0-000	Key Wrench
03-0177-0-000	Key Wrench
03-0180-0-000	Key Wrench
03-0319-0-000	Screw Driver (Small)
03-0321-0-000	3/32" Key Wrench
05-0006-0-000	Felt Pad
05-0009-0-050	Thread Stand Comp.
05-0010-0-000	Rod
05-1319-0-000	Thread Stand Base
05-1320-0-000	Thread Stand Base (Spool Pin)
05-1322-0-000	Oiler
05-1323-0-000	Thread Stand Base Comp.
20-0590-0-000	Gauge
23-2119-0-000	Spool Shield
23-2145-0-004	Knife (1/2"-13)
23-2145-0-006	Knife (5/8"-16)

Optional Parts

No.	Description
01-1252-0-000	Screw
01-1354-0-000	Screw (4)
01-4004-0-000	Lock Washer 9 (4)
01-4704-0-002	Spacer (4)
01-7106-0-000	Bushing (4)
03-5230-0-000	Wheel Puller (QUICK RELEASE)
03-5246-0-000	Mounting Accessories Kit
04-1423-0-002	Bushing Mount (8)
04-1823-0-000	Pad (4)
05-1318-0-000	V-Belt
23-2311-0-000	Eccentric-Feed Drive
23-2145-0-001	Knife (1/4"-6)
23-2145-0-002	Knife (3/8"-10)
23-2145-0-003	Knife (7/16"-11)
23-2145-0-005	Knife (9/16"-14)
23-2145-0-007	Knife (3/4"-19)
23-2145-0-008	Knife (7/8"-22)
23-2145-0-009	Knife (1"-25)
23-2145-0-010	Knife (1-1/8"-29)
23-2145-0-011	Knife (1-1/4"-32)
23-2145-0-012	Knife (1-3/8"-35)
23-2157-0-000	Finger Guard.

PARTS INDEX

PART NUMBER	PAGE	PART NUMBER	PAGE	PART NUMBER	PAGE	PART NUMBER	PAGE
01-1044-0-000	6	01-1345-0-000	15	01-1903-0-000	4	01-3108-0-000	10
01-1051-1-000	8	01-1346-0-000	15	01-1903-0-000	12	01-3108-0-000	16
01-1201-0-000	2	01-1348-0-000	16	01-1905-0-000	4	01-3109-0-000	9
01-1202-0-000	2	01-1349-0-000	16	01-1906-0-000	10	01-3110-0-000	9
01-1203-0-000	3	01-1350-0-000	19	01-1907-0-000	10	01-3111-0-000	9
01-1204-0-000	4	01-1352-0-000	1	01-1908-0-000	11	01-3112-0-001	9
01-1205-0-000	6	01-1352-0-000	9	01-1909-0-000	12	01-3114-0-000	12
01-1209-0-000	7	01-1325-0-000	20	01-1912-0-000	17	01-3115-0-000	12
01-1210-0-000	9	01-1353-0-000	21	01-1913-0-000	16	01-3116-0-000	12
01-1211-0-000	9	01-1354-0-000	21	01-2084-0-000	18	01-3116-0-000	13
01-1213-1-000	13	01-1357-0-000	1	01-2111-0-000	21	01-3117-0-000	12
01-1214-0-000	14	01-1358-0-000	1	01-2122-0-000	6	01-3118-0-000	13
01-1215-0-000	16	01-1358-0-000	9	01-2122-0-000	8	01-3119-0-000	12
01-1216-0-000	5	01-1361-0-000	4	01-2123-0-000	6	01-3121-0-000	16
01-1220-0-000	6	01-1362-0-000	6	01-2146-0-000	7	01-3153-0-000	4
01-1221-0-000	8	01-1364-0-000	3	01-2157-0-000	19	01-3155-0-000	9
01-1251-0-000	1	01-1365-0-000	16	01-2166-0-000	8	01-4002-0-000	4
01-1252-0-000	21	01-1365-0-000	19	01-2193-0-000	2	01-4003-0-000	14
01-1300-0-000	1	01-1366-0-000	19	01-2313-0-000	14	01-4003-0-000	16
01-1301-0-000	1	01-1367-0-000	21	01-2355-0-000	10	01-4004-0-000	13
01-1304-0-000	1	01-1370-0-000	3	01-2376-0-000	10	01-4004-0-000	21
01-1306-0-000	2	01-1382-0-000	11	01-2395-0-000	18	01-4011-0-000	5
01-1307-0-000	2	01-1384-0-000	16	01-2401-0-000	11	01-4011-0-000	7
01-1308-0-000	2	01-1385-0-000	14	01-2413-0-000	6	01-4011-0-000	10
01-1309-0-000	2	01-1390-0-000	8	01-2504-0-000	14	01-4017-0-000	2
01-1310-0-000	3	01-1391-0-000	13	01-2505-0-000	6	01-4024-0-000	19
01-1311-0-000	3	01-1393-0-001	1	01-2548-0-000	19	01-4029-0-000	8
01-1312-0-000	4	01-1397-0-000	11	01-2601-0-000	11	01-4029-0-000	9
01-1313-0-000	4	01-1556-0-000	4	01-2700-0-000	12	01-4035-0-000	7
01-1314-0-000	5	01-1557-0-000	11	01-2764-0-000	9	01-4039-0-000	9
01-1315-0-000	6	01-1556-0-000	15	01-2886-0-000	1	01-4059-0-000	6
01-1318-0-000	6	01-1585-0-000	2	01-3001-0-000	6	01-4064-0-000	9
01-1318-0-000	10	01-1586-0-000	4	01-3001-0-000	8	01-4065-0-000	5
01-1318-0-000	16	01-1800-0-000	2	01-3008-0-000	12	01-4068-0-000	1
01-1319-0-000	6	01-1801-0-000	2	01-3030-0-000	12	01-4100-0-000	9
01-1320-0-000	6	01-1803-0-000	5	01-3100-0-000	2	01-4102-0-000	2
01-1321-0-000	7	01-1804-0-000	6	01-3100-0-000	4	01-4103-0-000	2
01-1322-0-000	7	01-1805-0-000	6	01-3100-0-000	5	01-4104-0-000	3
01-1323-0-000	8	01-1806-0-000	6	01-3100-0-000	6	01-4105-0-000	3
01-1323-0-000	16	01-1808-0-000	7	01-3100-0-000	10	01-4130-0-000	7
01-1323-0-000	19	01-1809-0-000	7	01-3100-0-000	14	01-4132-0-001	12
01-1325-0-000	8	01-1812-0-000	9	01-3100-0-000	16	01-4137-0-000	7
01-1327-0-000	8	01-1813-0-000	10	01-3101-0-000	2	01-4137-0-000	13
01-1328-0-000	9	01-1814-0-000	12	01-3102-0-000	2	01-4153-0-000	2
01-1331-0-000	9	01-1816-0-000	15	01-3102-0-000	4	01-4572-0-000	9
01-1332-0-000	10	01-1816-0-000	16	01-3102-0-000	5	01-4672-0-001	6
01-1332-0-000	15	01-1818-0-000	7	01-3102-0-000	16	01-4672-0-004	8
01-1333-0-000	10	01-1833-0-000	8	01-3103-0-000	4	01-4704-0-002	21
01-1336-0-000	11	01-1892-0-000	3	01-3103-0-000	12	01-5004-0-000	9
01-1337-0-000	11	01-1896-0-000	14	01-3104-0-000	6	01-5020-0-000	6
01-1338-0-000	11	01-1900-0-000	7	01-3105-0-000	7	01-5022-0-000	12
01-1339-0-000	12	01-1901-0-000	5	01-3106-0-000	5	01-5033-0-000	8
01-1340-0-000	12	01-1901-0-000	12	01-3106-0-000	10	01-5033-0-000	13
01-1343-0-000	13	01-1902-0-000	3	01-3107-0-000	6	01-5033-0-000	16
01-1344-0-000	15	01-1902-0-000	8	01-3108-0-000	6	01-5038-0-000	12

PART NUMBER	PAGE	PART NUMBER	PAGE	PART NUMBER	PAGE	PART NUMBER	PAGE
01-5082-0-000	10	01-6555-0-000	6	05-1305-0-000	1	20-0240-1-000	6
01-5102-0-000	4	01-6574-0-000	6	05-1306-0-000	1	20-0254-0-000	8
01-5106-0-000	8	01-6831-0-003	6	05-1307-0-000	1	20-0258-1-000	6
01-5107-0-000	6	01-6833-0-000	1	05-1308-0-000	1	20-0266-0-000	6
01-5108-0-000	7	01-6833-0-000	1	05-1309-0-000	1	20-0268-0-000	6
01-5111-0-000	12	01-7012-0-000	3	05-1310-0-000	1	20-0271-3-000	7
01-5113-0-000	12	01-7013-0-000	2	05-1311-0-000	2	20-0276-3-801	7
01-5143-0-000	7	01-7013-0-000	8	05-1312-0-000	2	20-0277-1-000	7
01-5147-0-000	6	01-7017-0-000	9	05-1313-0-000	2	20-0278-1-000	7
01-5148-0-000	15	01-7029-0-000	4	05-1314-0-000	2	20-0281-0-000	7
01-5148-0-000	9	01-7100-0-000	1	05-1315-0-000	2	20-0288-0-000	7
01-5152-0-000	16	01-7101-0-000	2	05-1316-0-000	9	20-0308-1-000	12
01-5156-0-000	5	01-7102-0-000	2	05-1317-0-001	19	20-0316-0-000	12
01-5158-0-000	19	01-7103-0-000	2	05-1318-0-000	21	20-0318-0-001	12
01-5161-0-000	13	01-7104-0-000	8	05-1319-0-000	21	20-0321-0-000	14
01-5162-0-000	13	01-7105-0-000	15	05-1320-0-000	21	20-0566-0-000	10
01-5200-0-000	9	01-7106-0-000	21	05-1322-0-000	21	20-0569-0-050	11
01-5201-0-000	9	01-7204-0-000	16	05-1323-0-000	21	20-0570-0-050	11
01-5202-0-000	10	01-7205-0-000	16	05-1324-0-000	1	20-0577-0-000	11
01-5205-0-000	17	01-7206-0-000	1	05-1327-0-000	2	20-0583-1-000	10
01-5206-0-000	19	01-7425-0-000	19	05-1377-0-000	1	20-0587-0-000	2
01-5207-0-000	1	01-7535-0-000	6	05-1378-0-000	1	20-0588-0-000	2
01-5239-1-000	12	01-7536-0-000	6			20-0590-0-000	21
01-5442-0-000	19	01-7787-0-000	1	10-4019-0-000	6	20-0606-0-000	10
01-5449-0-000	7	01-7788-0-000	1			20-0623-0-000	15
01-5571-0-000	10	01-8002-0-000	12	20-0001-1-000	2	20-0641-2-000	13
01-6055-0-000	10	01-8002-0-000	19	20-0009-0-000	7	20-0645-0-000	12
01-6079-0-000	8	01-8005-0-000	4	20-0010-0-000	7	20-0655-0-039	13
01-6096-0-000	11	01-8012-0-000	15	20-0011-0-000	7	20-0660-0-000	5
01-6097-0-000	11	01-8405-0-000	7	20-0013-1-050	6	20-0687-0-000	19
01-6103-0-001	10			20-0015-0-000	6	20-0688-0-000	19
01-6108-0-000	8	02-0750-0-110	2	20-0030-1-000	4	20-0689-0-000	19
01-6121-0-000	5	02-0750-0-110	21	20-0032-1-000	4	20-0691-1-100	19
01-6121-0-000	6			20-0033-0-000	4	20-0696-0-000	19
01-6121-0-000	7	03-0018-0-000	21	20-0035-0-000	4	20-0703-0-000	16
01-6122-0-000	7	03-0045-0-000	21	20-0038-0-000	3	20-0715-0-000	16
01-6135-0-000	6	03-0055-0-000	21	20-0045-0-000	16	20-0776-0-000	6
01-6141-0-000	1	03-0056-0-000	21	20-0046-0-000	16	20-0777-0-000	6
01-6165-0-000	8	03-0059-0-000	21	20-0048-0-100	16		
01-6186-0-000	7	03-0177-0-000	21	20-0051-1-024	18	23-1001-1-000	1
01-6195-0-000	12	03-0180-0-000	21	20-0072-1-000	15	23-1002-1-050	1
01-6196-0-000	12	03-0319-0-000	21	20-0085-2-000	11	23-1006-0-000	1
01-6202-0-000	4	03-0321-0-000	21	20-0086-1-000	13	23-1007-0-000	1
01-6203-0-000	5	03-5220-0-000	1	20-0093-2-004	13	23-1007-0-050	1
01-6204-0-000	9	03-5230-0-000	21	20-0094-1-000	11	23-1008-0-050	2
01-6205-0-000	9	03-5246-0-000	21	20-0098-2-100	11	23-1009-0-050	2
01-6210-0-000	19			20-0106-1-000	11	23-1010-0-050	2
01-6213-0-000	16	04-0538-0-000	19	20-0107-2-000	11	23-1011-0-050	2
01-6277-0-000	10	04-0747-2-000	16	20-0111-0-000	11	23-1011-0-050	2
01-6295-0-000	16	04-0760-0-000	16	20-0112-0-000	11	23-1012-0-050	2
01-6303-0-000	7	04-1423-0-002	21	20-0135-2-000	5	23-1013-0-050	2
01-6310-0-000	16	04-1823-0-000	21	20-0169-0-000	4	23-1013-0-100	2
01-6311-0-000	16			20-0174-1-000	6	23-1014-0-100	2
01-6312-0-000	16	05-0006-0-000	21	20-0180-0-000	6	23-1015-0-000	2
01-6340-0-000	7	05-0009-0-050	21	20-0196-1-336	10	23-1016-0-000	1
01-6375-0-000	6	05-0010-0-000	21	20-0196-1-337	10	23-1017-0-000	1
01-6406-0-000	6	05-1300-0-000	1	20-0208-1-324	10	23-1018-0-050	9
01-6508-0-000	6	05-1302-0-000	1	20-0225-1-000	8	23-1021-0-000	12
01-6534-0-000	19	05-1303-0-000	1	20-0230-0-000	8	23-1022-0-000	9
01-6535-0-000	19	05-1304-0-000	1	20-0230-2-050	8	23-2001-0-000	1

PART NUMBER	PAGE	PART NUMBER	PAGE	PART NUMBER	PAGE	PART NUMBER	PAGE
23-2002-0-050	1	23-2082-0-000	15	23-2157-0-000	21		
23-2003-0-050	3	23-2082-0-050	15	23-2158-0-050	8		
23-2004-1-000	3	23-2083-0-000	15	23-2311-0-000	21		
23-2005-0-000	3	23-2084-0-000	15	23-3000-0-050	1		
23-2006-0-000	4	23-2084-0-050	15	23-3002-0-000	19		
23-2007-0-000	4	23-2086-0-050	16	23-3002-0-050	19		
23-2008-0-000	4	23-2089-0-050	16	23-3006-0-001	19		
23-2009-0-000	4	23-2092-0-000	16	23-3007-0-001	19		
23-2010-0-050	4	23-2092-0-050	16	23-3008-0-000	19		
23-2012-0-000	4	23-2095-0-000	16	23-3008-0-050	19		
23-2014-0-050	4	23-2095-0-050	16	23-3009-1-000	20		
23-2015-0-050	4	23-2099-0-000	16	23-3009-1-050	20		
23-2017-0-000	5	23-2100-1-000	16	23-3010-0-000	20		
23-2018-0-000	5	23-2101-1-000	18	23-3011-0-000	20		
23-2019-0-000	5	23-2102-0-050	6	23-3012-0-001	19		
23-2020-0-000	5	23-2104-0-050	9	23-3015-0-000	16		
23-2021-0-000	5	23-2105-0-050	11	23-3015-0-050	16		
23-2026-0-000	6	23-2106-0-000	11	23-3016-0-020	16		
23-2027-0-000	6	23-2107-0-000	11	23-3016-0-030	16		
23-2027-0-050	6	23-2112-0-000	18	23-3017-1-000	16		
23-2028-0-000	6	23-2113-0-000	11	23-3017-0-050	16		
23-2028-0-050	6	23-2114-0-000	11	23-3018-0-000	16		
23-2029-0-000	6	23-2115-0-000	10	23-3019-0-000	16		
23-2031-0-000	6	23-2119-0-000	21	23-3019-0-050	16		
23-2032-0-000	6	23-2120-0-000	9	23-3020-0-050	17		
23-2034-0-000	7	23-2121-0-000	16	23-3023-0-000	1		
23-2026-0-000	7	23-2122-0-000	17				
23-2036-0-050	7	23-2122-0-050	17	24-1088-1-051	1		
23-2027-0-000	7	23-2123-0-050	17	24-1169-0-000	14		
23-2027-0-050	7	23-2127-0-050	17	24-1170-0-000	14		
23-2039-0-000	8	23-2133-0-000	8	24-2162-0-000	6		
23-2040-0-000	8	23-2133-0-100	8	24-3032-0-000	1		
23-2043-0-000	8	23-2134-0-000	10				
23-2044-0-051	9	23-2135-0-050	6	26-1000-0-010	1		
23-2045-0-000	9	23-2138-0-000	12	26-1000-0-532	1		
23-2046-0-000	9	23-2138-0-050	12	26-1000-6-004	1		
23-2047-0-000	9	23-2139-0-050	12	26-1008-5-143	1		
23-2048-2-000	9	23-2140-0-000	12	26-1008-5-144	1		
23-2049-1-000	9	23-2141-0-000	12				
23-2051-1-050	9	23-2141-0-050	12				
23-2052-0-000	9	23-2142-0-000	13				
23-2053-0-000	10	23-2143-0-000	12				
23-2054-0-050	10	23-2145-0-001	21				
23-2055-0-000	10	23-2145-0-002	21				
23-2057-0-050	10	23-2145-0-003	21				
23-2058-1-050	10	23-2145-0-004	21				
23-2059-1-050	10	23-2145-0-005	21				
23-2061-0-000	11	23-2145-0-006	21				
23-2062-0-000	11	23-2145-0-007	21				
23-2066-0-000	12	23-2145-0-008	21				
23-2066-0-050	12	23-2145-0-009	21				
23-2069-0-000	13	23-2145-0-010	21				
23-2069-0-050	13	23-2145-0-011	21				
23-2070-0-000	13	23-2145-0-012	21				
23-2070-0-050	13	23-2146-1-000	9				
23-2074-0-000	14	23-2147-0-000	8				
23-2077-0-000	14	23-2148-0-000	13				
23-2078-0-000	14	23-2148-0-050	13				
23-2079-0-000	15	23-2149-0-000	14				
23-2080-0-000	15	23-2149-0-050	14				